



US00D601190S

(12) **United States Design Patent**
Liu

(10) **Patent No.:** **US D601,190 S**

(45) **Date of Patent:** **** Sep. 29, 2009**

(54) **COMBINATION PEN AND LASER POINTER**

(75) Inventor: **Liang Liu**, Ningbo (CN)

(73) Assignee: **Beifa Group Co., Ltd.**, Ningbo (CN)

(**) Term: **14 Years**

(21) Appl. No.: **29/330,034**

(22) Filed: **Dec. 26, 2008**

(30) **Foreign Application Priority Data**

Jun. 30, 2008 (CN) 2008 3 0139529

(51) **LOC (9) Cl.** **19-06**

(52) **U.S. Cl.** **D19/36**

(58) **Field of Classification Search** D19/35,
D19/36, 41-51, 53-57; 24/11 F, 11 P, 11 R;
401/52, 99, 100, 104-109, 192, 195, 196;
D26/37; 362/109, 118

See application file for complete search history.

(56) **References Cited**

U.S. PATENT DOCUMENTS

D155,532 S * 10/1949 Morrison D19/48
D181,244 S 10/1957 Zierhut
D182,162 S * 2/1958 Carreiro D19/51
D182,216 S 2/1958 Zierhut
D305,551 S * 1/1990 Oka D19/57
D319,845 S * 9/1991 Grotsch et al. D19/48
D482,397 S 11/2003 Hui
6,682,202 B2 * 1/2004 Wong 362/118
D500,522 S * 1/2005 Rommel D19/51
D502,507 S 3/2005 Wang

D502,737 S * 3/2005 Bodino D19/43
D508,264 S * 8/2005 Losel D19/50
D538,343 S * 3/2007 Morton et al. D19/50
D548,281 S 8/2007 Tien
D576,677 S * 9/2008 Jeon D19/50
D591,350 S * 4/2009 Beyer D19/50
2007/0223214 A1 * 9/2007 Yen 362/118

FOREIGN PATENT DOCUMENTS

EM 000665419-0017 * 2/2007
WO DM/068901 * 2/2007

* cited by examiner

Primary Examiner—Elizabeth A Albert

(74) *Attorney, Agent, or Firm*—Christensen O'Connor
Johnson Kindness PLLC

(57) **CLAIM**

The ornamental design for a combination pen and laser pointer, as shown and described.

DESCRIPTION

FIG. 1 is an upper front right perspective view of a combination pen and laser pointer showing my new design;

FIG. 2 is left side elevation view thereof;

FIG. 3 is an enlarged top plan view thereof;

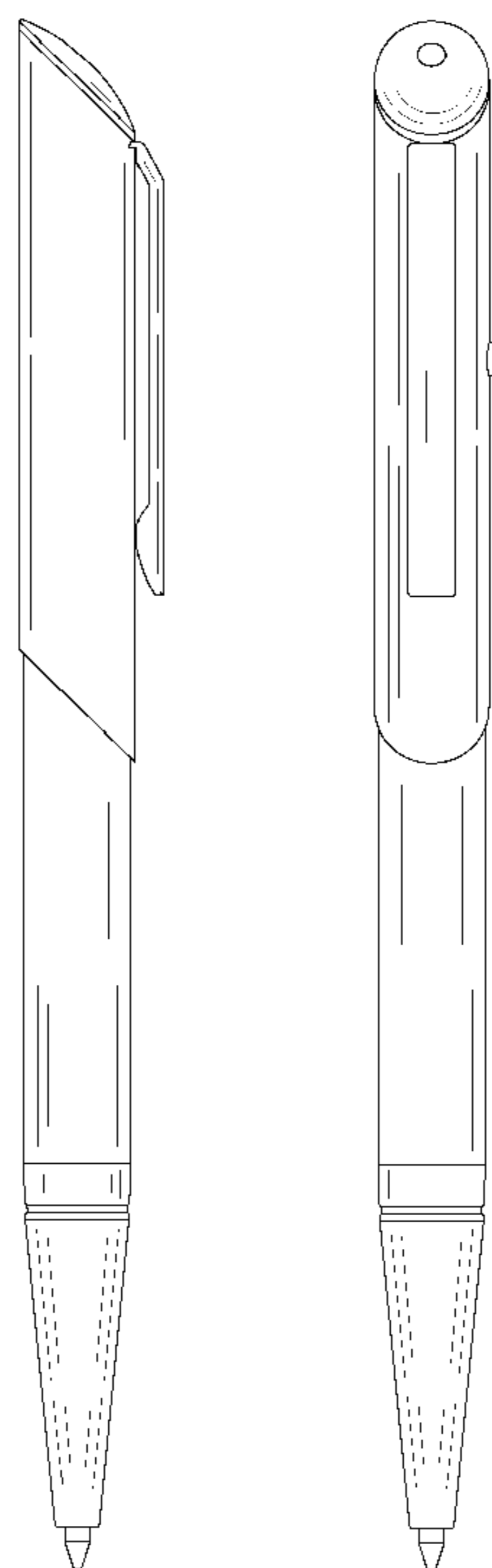
FIG. 4 is a front elevation view thereof;

FIG. 5 is a right side elevation view thereof;

FIG. 6 is an enlarged bottom plan view thereof; and,

FIG. 7 is a rear elevation view thereof.

1 Claim, 3 Drawing Sheets



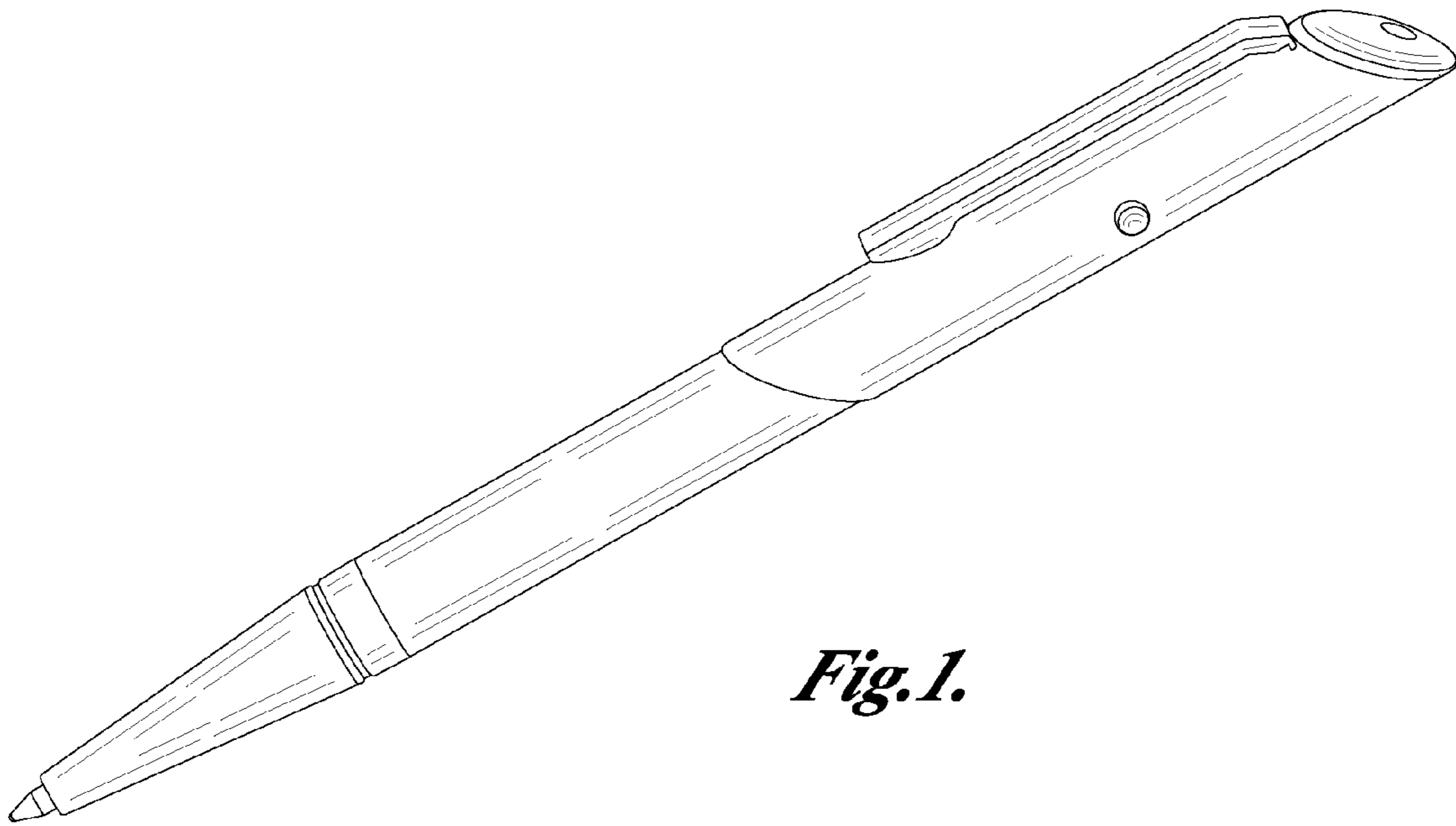


Fig. 1.

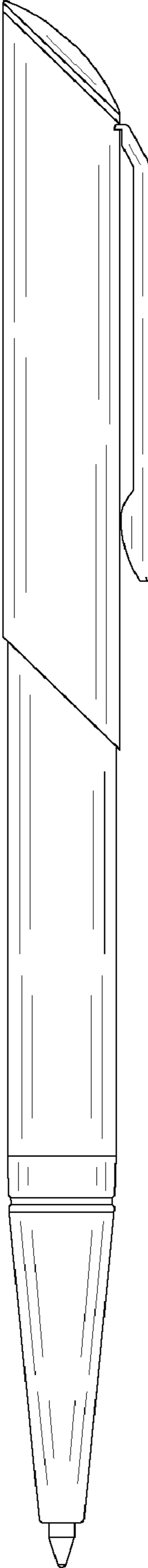


Fig. 2.

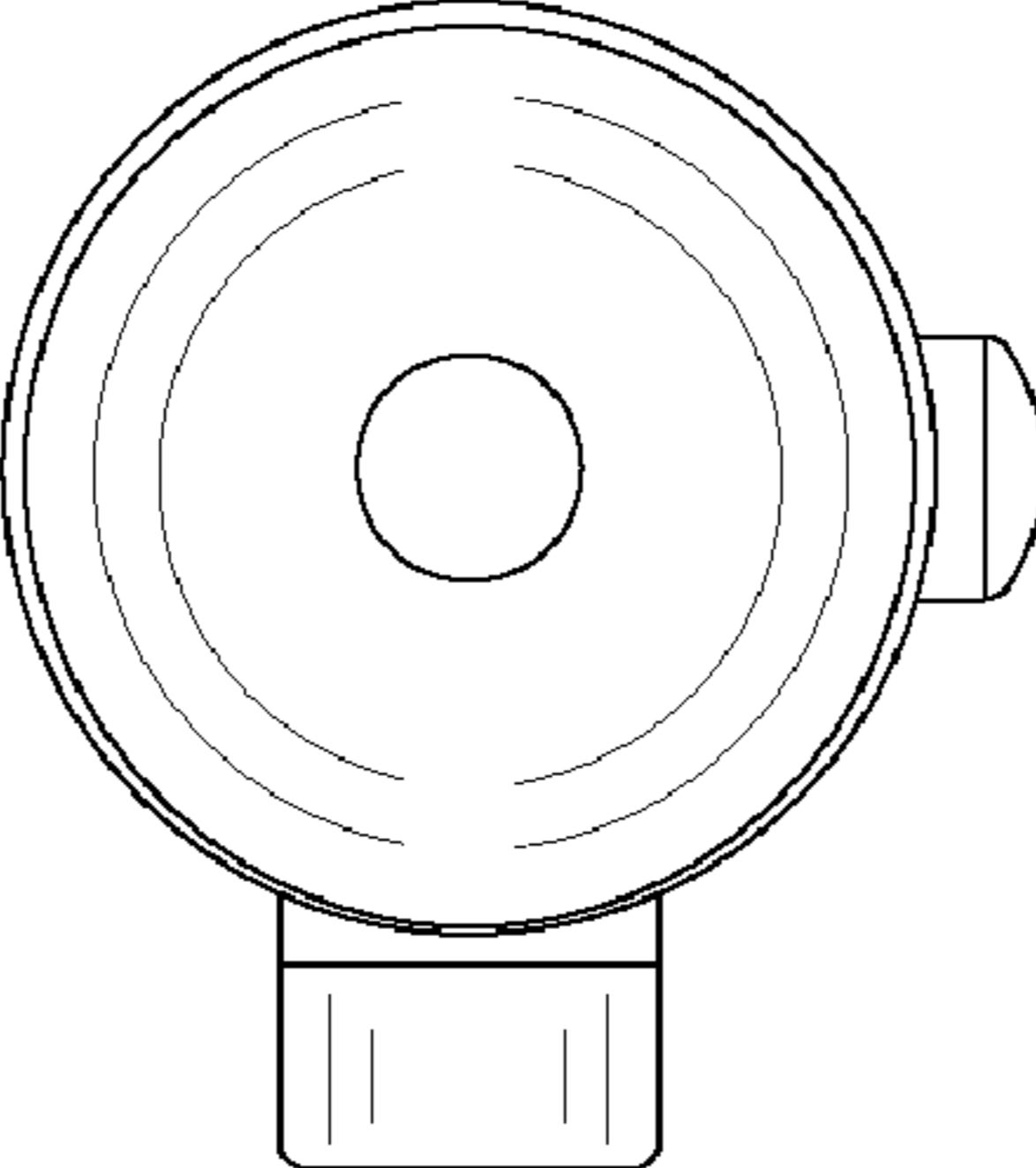


Fig. 3.

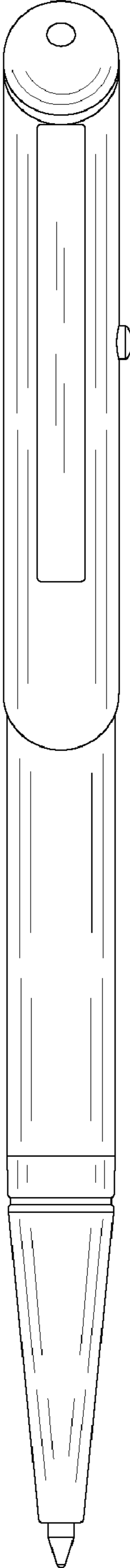


Fig. 4.

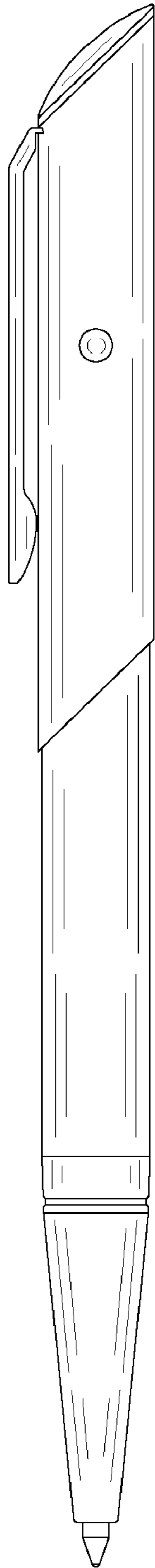


Fig. 5.

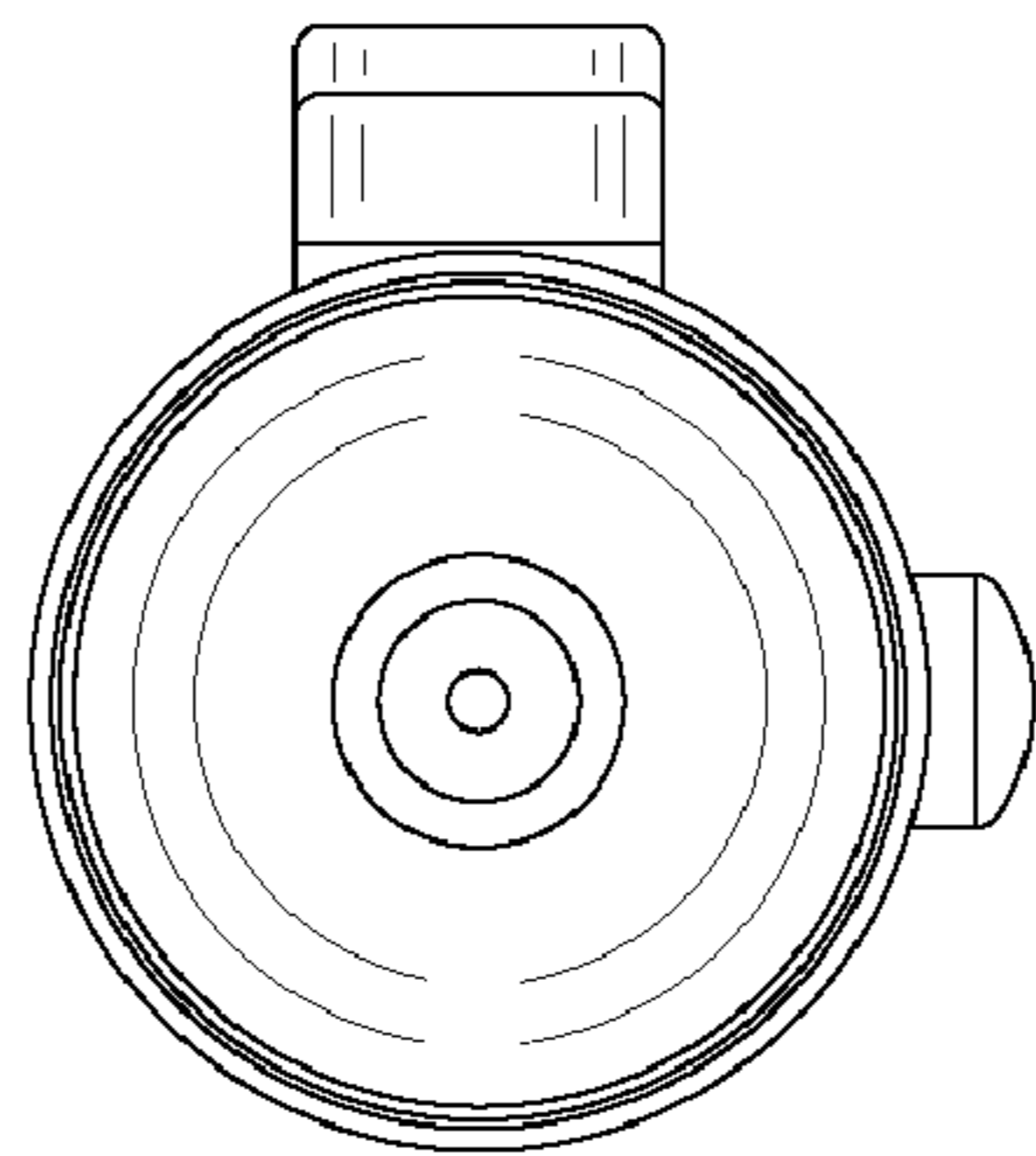


Fig. 6.

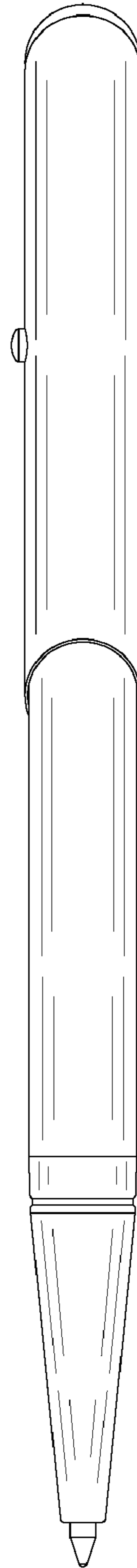


Fig. 7.