



US00D601186S

(12) **United States Design Patent**  
**Kim et al.**

(10) **Patent No.:** **US D601,186 S**  
(45) **Date of Patent:** **\*\* Sep. 29, 2009**

(54) **LASER PRINTER**

(75) Inventors: **Hee-Yul Kim**, Kyunggi-do (KR);  
**Min-Hyoung Boo**, Seoul (KR); **Yun-Gi Hong**,  
Kyunggi-do (KR); **Byeong-Yong Song**,  
Kyunggi-do (KR)

(73) Assignee: **Samsung Electronics Co., Ltd.**, Suwon,  
Kyunggi-Do (KR)

(\*\*) Term: **14 Years**

(21) Appl. No.: **29/294,097**

(22) Filed: **Dec. 21, 2007**

(51) **LOC (9) Cl.** ..... **14-02**

(52) **U.S. Cl.** ..... **D18/55**

(58) **Field of Classification Search** ..... D18/36–39,  
D18/50, 54, 54.1, 55; D14/420–425, 462–470;  
400/613, 613.1–613.4, 690.1–690.4, 691–694  
See application file for complete search history.

(56) **References Cited**

U.S. PATENT DOCUMENTS

- 4,869,606 A \* 9/1989 Lehmann et al. .... 400/693.1
- D319,653 S \* 9/1991 Reese ..... D18/54
- D326,867 S 6/1992 Kwak
- D359,506 S 6/1995 Lee
- D378,218 S 2/1997 Hong et al.
- D386,519 S \* 11/1997 Meschter et al. .... D18/55
- 6,612,763 B1 \* 9/2003 Yoshihara ..... 400/692
- D520,055 S \* 5/2006 Katayama ..... D18/55
- D521,060 S \* 5/2006 Katayama ..... D18/55
- D527,045 S 8/2006 Lim et al.
- D530,737 S 10/2006 Lim et al.
- D532,043 S 11/2006 Park et al.
- D534,209 S \* 12/2006 Yamaguchi ..... D18/55
- D536,372 S 2/2007 Lim et al.
- D544,906 S \* 6/2007 Alfonso et al. .... D18/55
- D551,700 S 9/2007 Park et al.
- D552,170 S 10/2007 Kim et al.
- D554,698 S \* 11/2007 Miller et al. .... D18/55
- D555,195 S 11/2007 Park et al.
- D555,722 S 11/2007 Bae et al.

- D561,248 S 2/2008 Lee et al.
- D562,886 S \* 2/2008 Egami et al. .... D18/55
- D573,178 S 7/2008 Lee et al.
- D573,179 S 7/2008 Bae et al.

OTHER PUBLICATIONS

- U.S. Appl. No. 29/291,996, Applicant: Gyeong-Sun Park, et al., filed Sep. 25, 2007 entitled Color Laser Complex.
- U.S. Appl. No. 29/291,995, Applicant: Gyeong-Sun Park, et al., filed Sep. 25, 2007 entitled Copy Machine Attached by Function of Scanner and Printer.
- U.S. Appl. No. 29/294,092, Applicant: Hee-Yul, et al., filed Dec. 21, 2007 entitled Laser Printer.
- U.S. Appl. No. 29/294,093, Applicant: Hee-Yul Kim, et al., filed Dec. 21, 2007 entitled Laser Printer.
- U.S. Appl. No. 29/293,252, Applicant: Ji-Sang Park, et al., filed Nov. 13, 2007 entitled Color Laser Printer.
- U.S. Appl. No. 29/293,253, Applicant: Min-Hyoung Boo, et al., filed Nov. 13, 2007 entitled Color Laser Printer.
- U.S. Appl. No. 29/293,228, Applicant: Son-Young Lee, et al., filed Nov. 9, 2007 entitled Copy Machine.

\* cited by examiner

*Primary Examiner*—Cathy Anne MacCormac

(74) *Attorney, Agent, or Firm*—Flynn, Thiel, Boutell & Tanis, P.C.

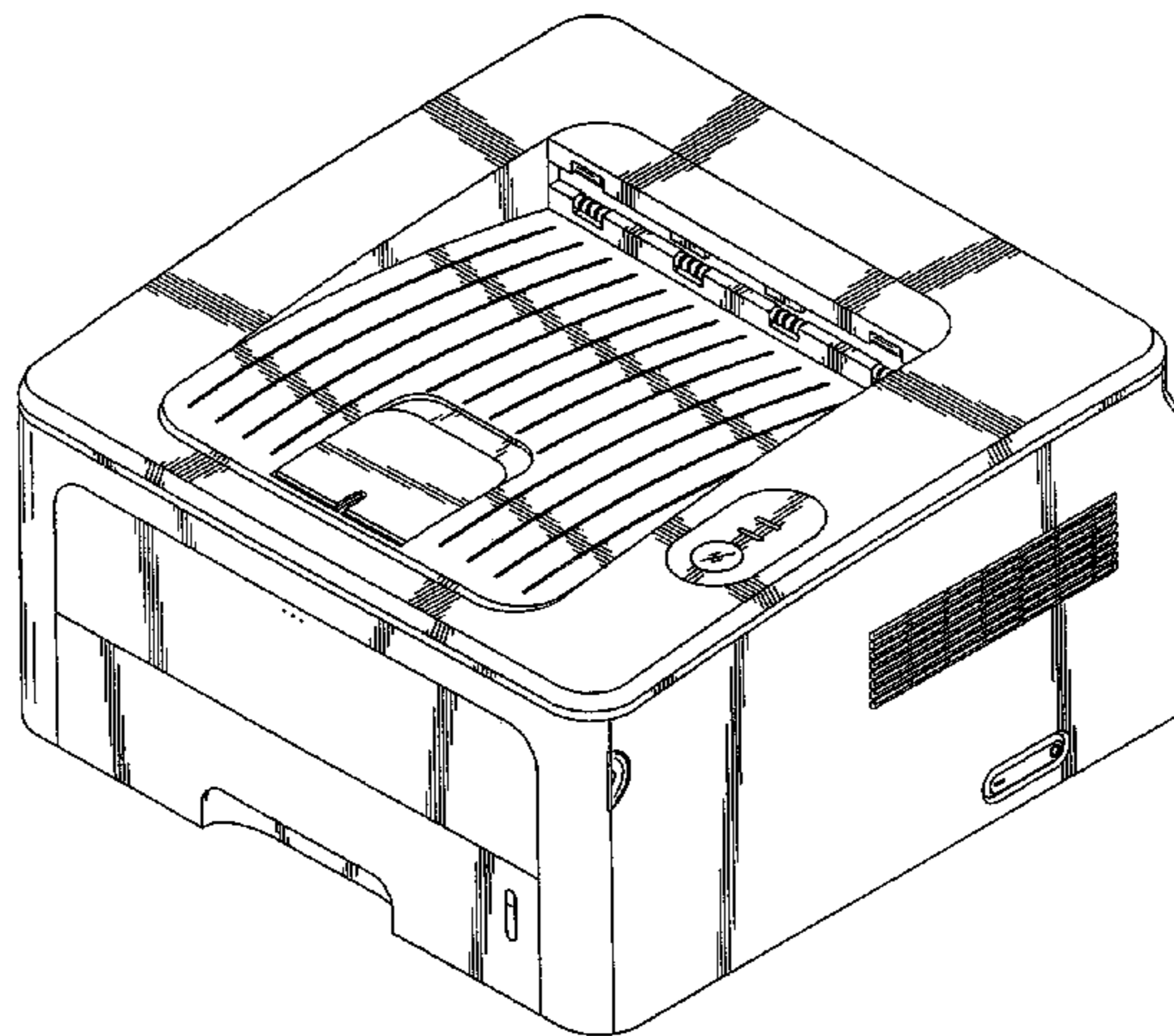
(57) **CLAIM**

The ornamental design for a laser printer, as shown and described.

**DESCRIPTION**

- FIG. 1 is a top front perspective view of a laser printer showing our new design;
- FIG. 2 is a front elevational view thereof;
- FIG. 3 is a rear elevational view thereof;
- FIG. 4 is a left side elevational view thereof;
- FIG. 5 is a right side elevational view thereof;
- FIG. 6 is a top plan view thereof; and,
- FIG. 7 is a bottom plan view thereof.

**1 Claim, 5 Drawing Sheets**



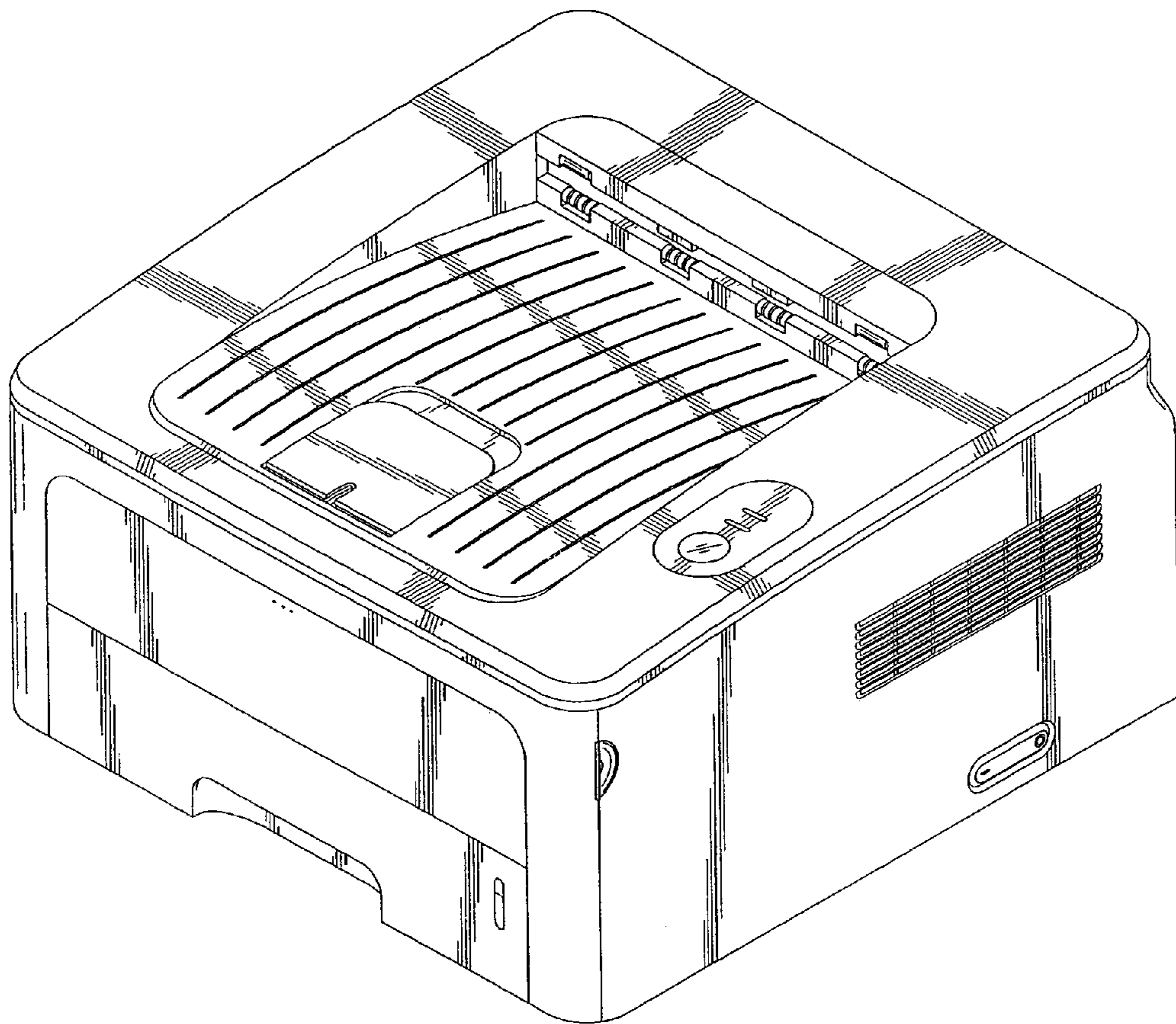


FIG. 1

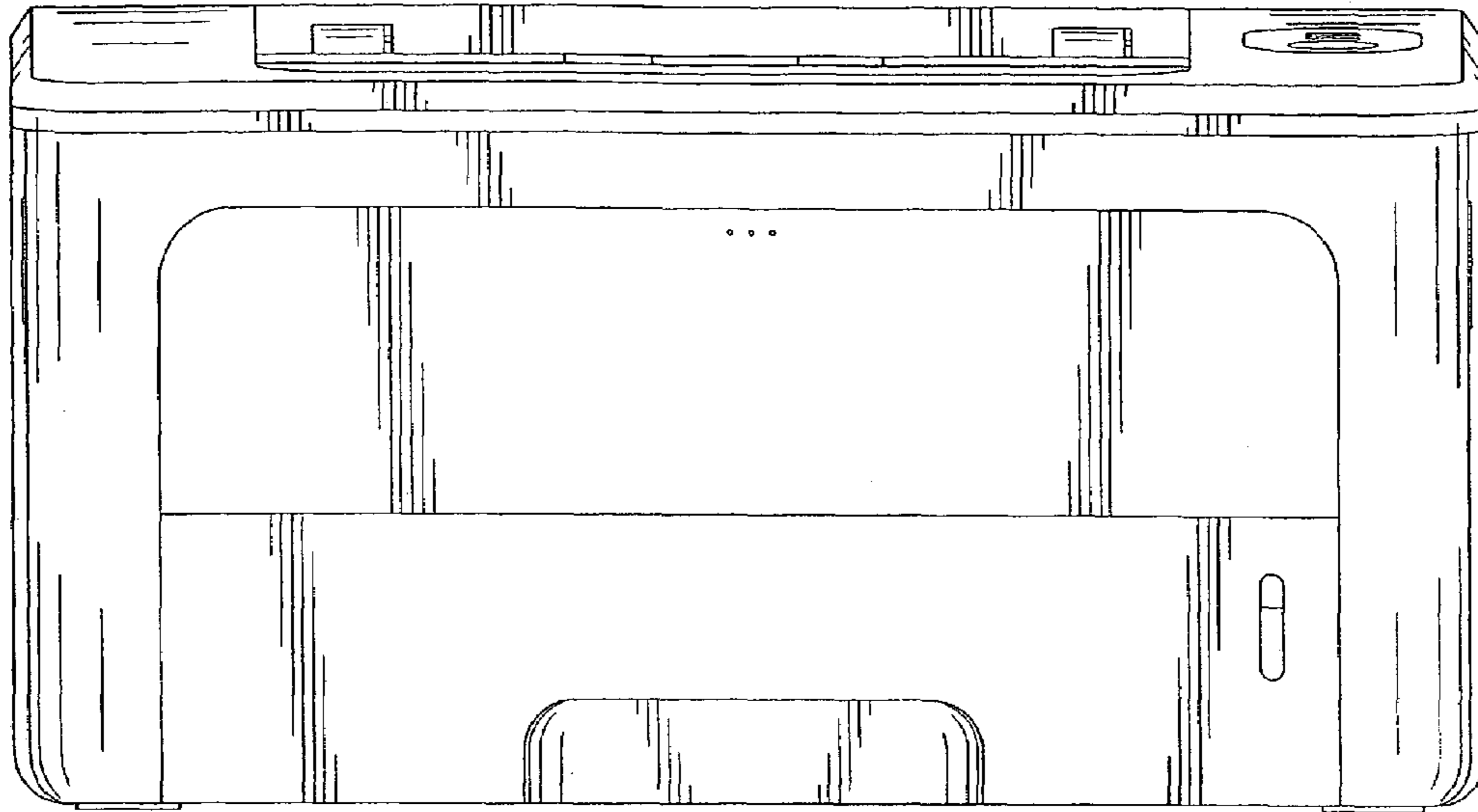


FIG. 2

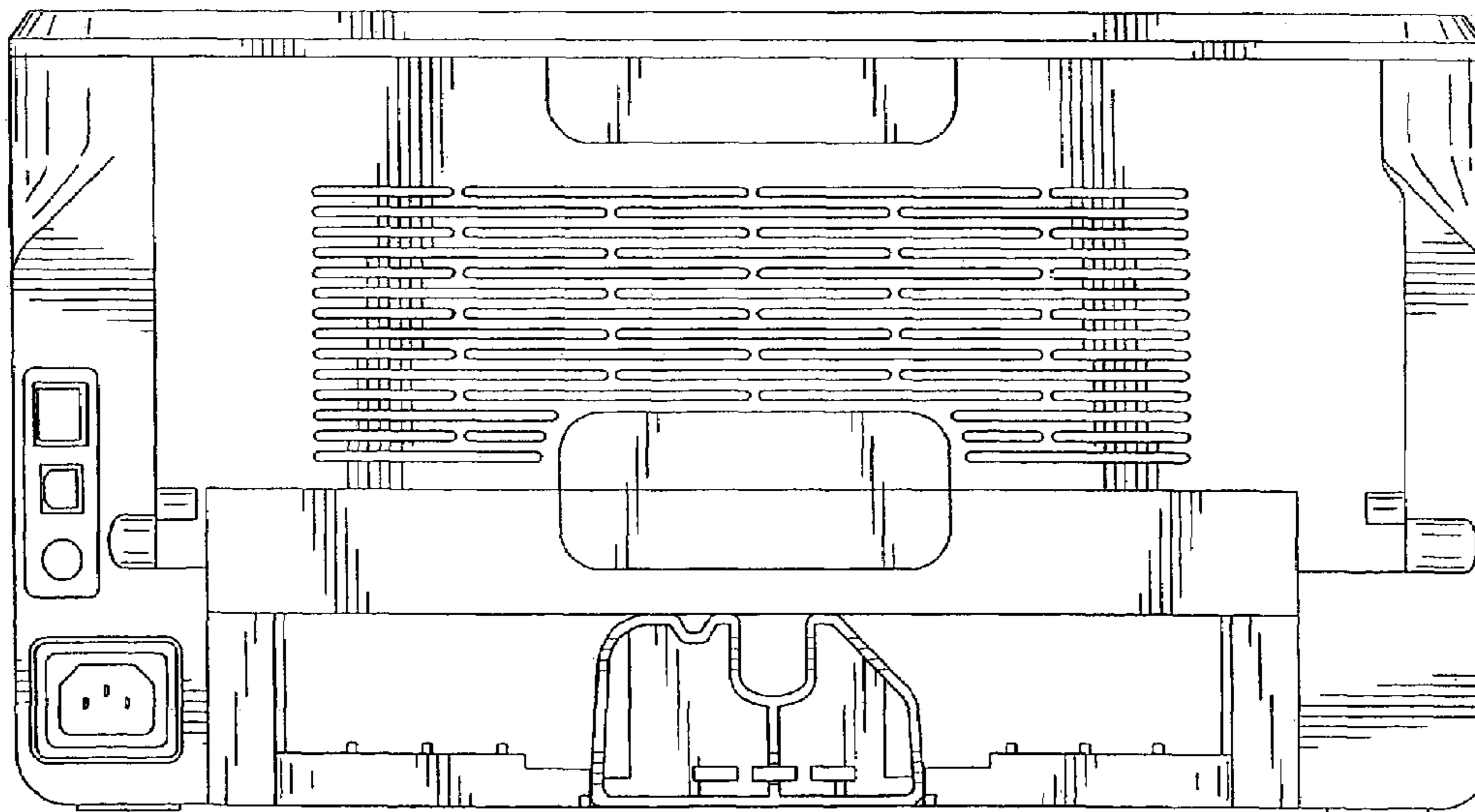


FIG. 3

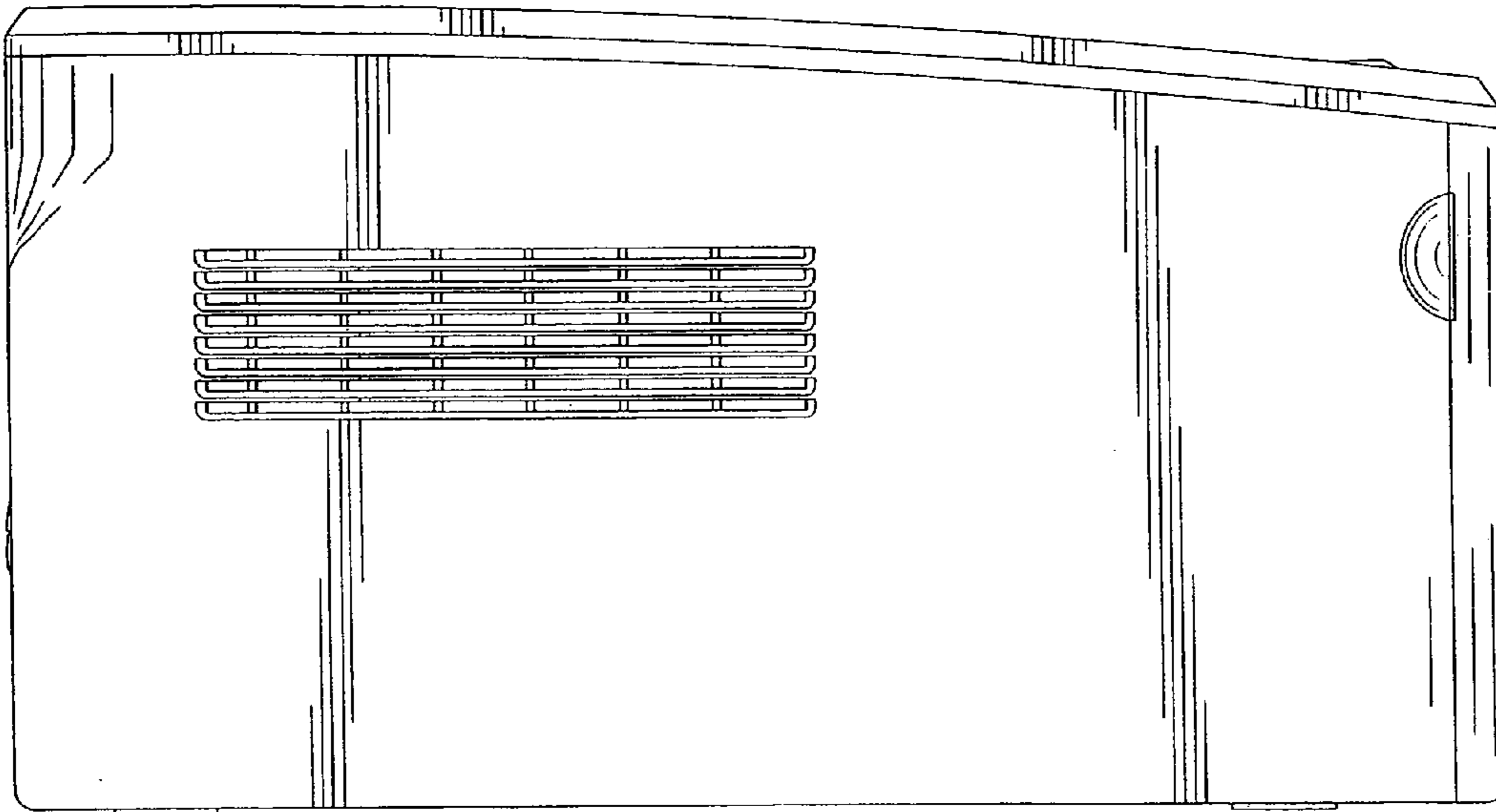


FIG. 4

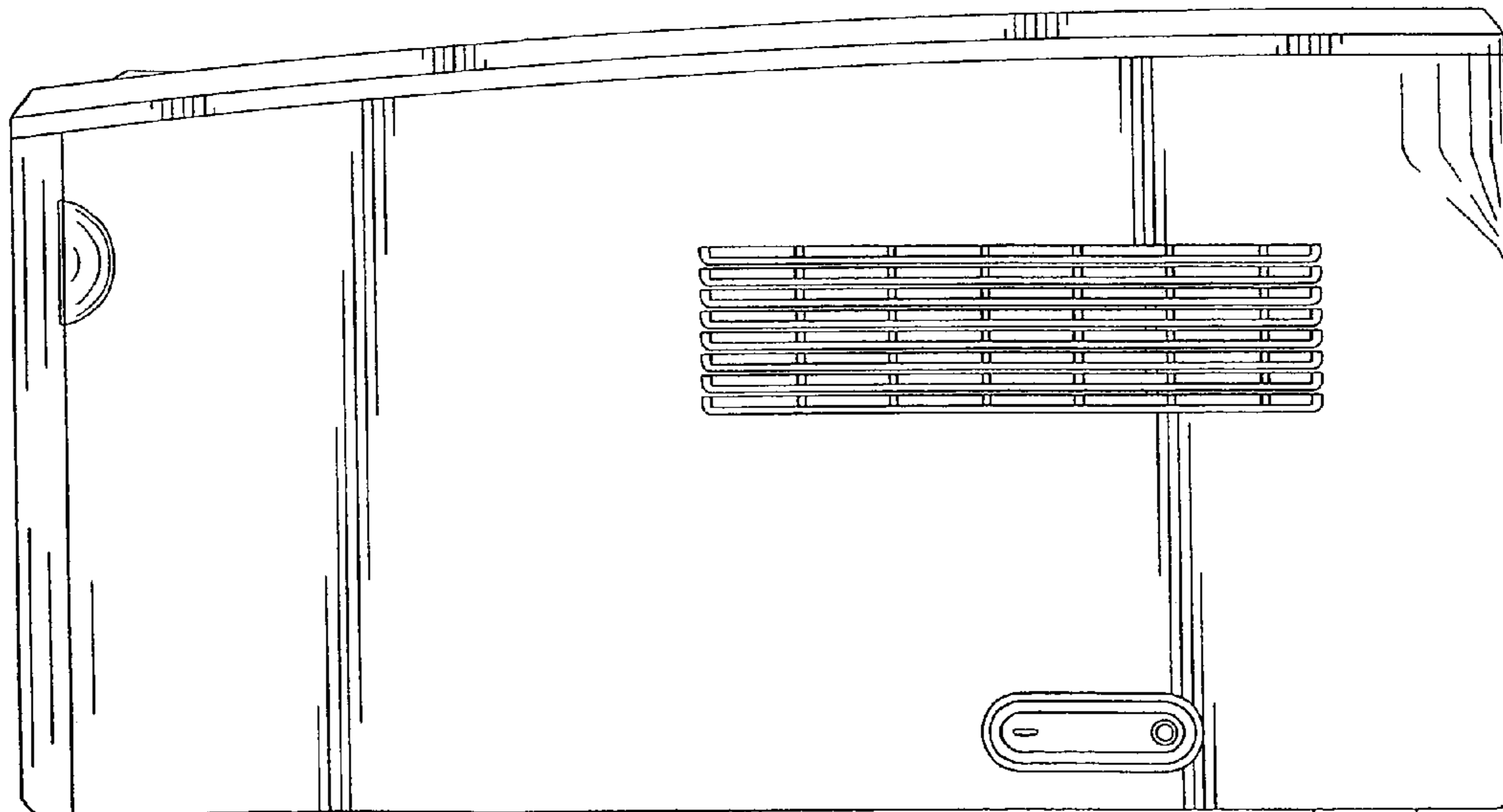


FIG. 5

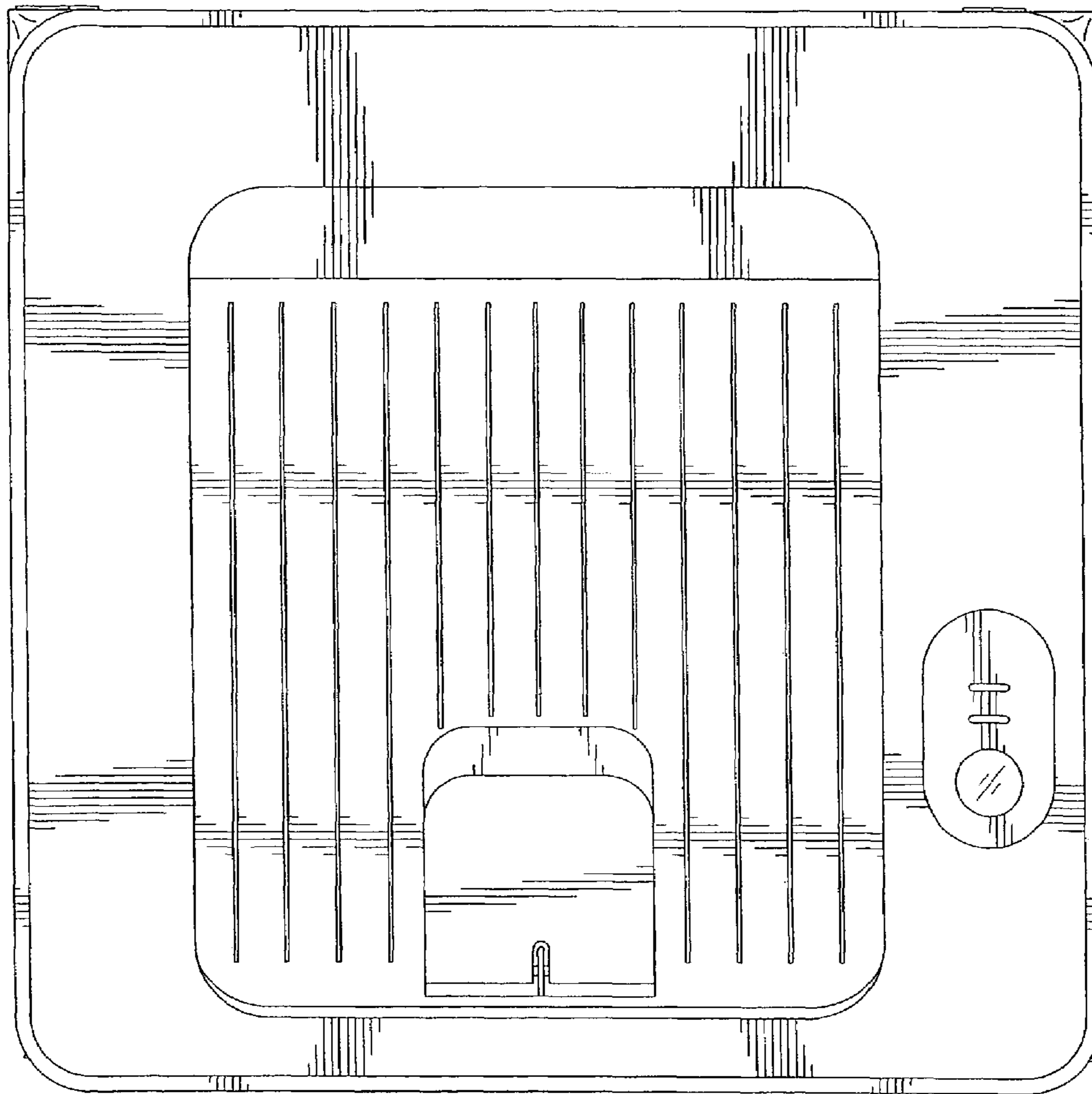


FIG. 6

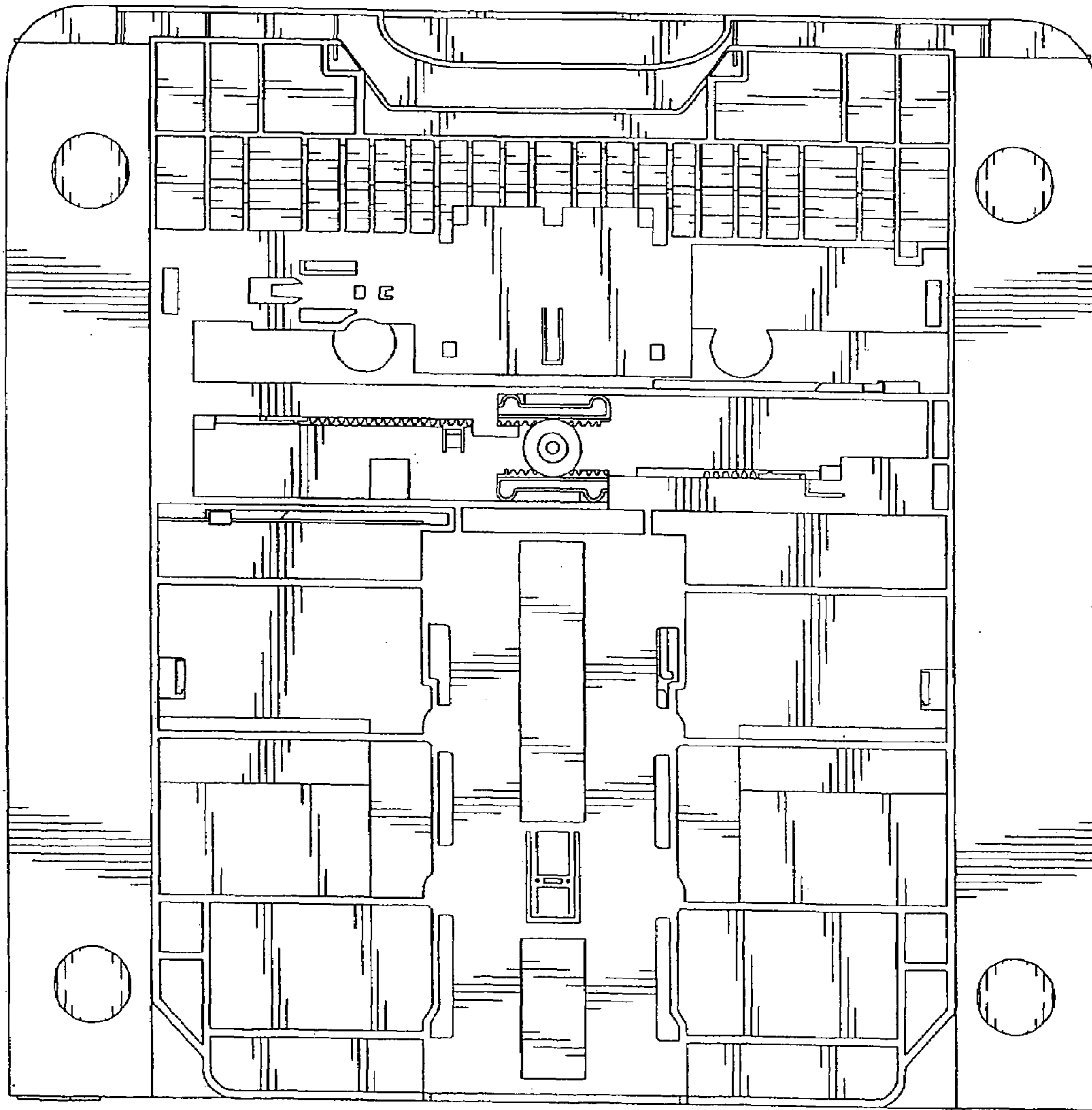


FIG. 7