



US00D601183S

(12) **United States Design Patent**
Ishikawa et al.

(10) **Patent No.:** **US D601,183 S**
(45) **Date of Patent:** **** Sep. 29, 2009**

(54) **TONER CARTRIDGE**

(75) Inventors: **Satoru Ishikawa**, Kitanagoya (JP);
Hirofumi Sato, Gifu (JP); **Fumio Morita**,
Ichinomiya (JP); **Satoru Hattori**, Nagoya (JP)

(73) Assignee: **Brother Industries, Ltd.** (JP)

(**) Term: **14 Years**

(21) Appl. No.: **29/303,523**

(22) Filed: **Feb. 11, 2008**

(30) **Foreign Application Priority Data**

Aug. 10, 2007 (JP) 2007-022066
Aug. 10, 2007 (JP) 2007-022068

(51) **LOC (9) Cl.** **16-03**

(52) **U.S. Cl.** **D18/43**

(58) **Field of Classification Search** D14/462,
D14/471, 474, 475; D18/12, 36, 40, 43,
D18/44, 56; 222/DIG. 1; 347/49, 197, 214,
347/222; 399/24-27, 107-112, 119, 121,
399/122, 222-224

See application file for complete search history.

(56) **References Cited**

U.S. PATENT DOCUMENTS

D422,304 S 4/2000 Suzuki et al.
D423,559 S 4/2000 Suzuki et al.
D442,216 S 5/2001 Kimura et al.
D447,511 S 9/2001 Kimura et al.
D471,228 S 3/2003 Okabe et al.
D471,583 S 3/2003 Okabe et al.
D506,776 S 6/2005 Kobayashi et al.
D507,295 S 7/2005 Ishii et al.
D507,296 S 7/2005 Ishii et al.
D507,595 S 7/2005 Kobayashi et al.
D507,596 S 7/2005 Kobayashi et al.
D507,597 S 7/2005 Kobayashi et al.
D507,809 S 7/2005 Kobayashi et al.

D508,945 S 8/2005 Ishii et al.
D509,239 S 9/2005 Ishii et al.
D510,947 S 10/2005 Ishii et al.
D511,542 S 11/2005 Ishii et al.
D512,092 S 11/2005 Kobayashi et al.

(Continued)

OTHER PUBLICATIONS

Co-pending U.S. Appl. No. 29/197,016, filed Jan. 8, 2004.
Co-pending U.S. Appl. No. 29/197,021, filed Jan. 8, 2004.
Co-pending U.S. Appl. No. 29/222,088, filed Jan. 27, 2005.
Co-pending U.S. Appl. No. 29/276,992, filed Feb. 9, 2007.

(Continued)

Primary Examiner—Caron Veynar

Assistant Examiner—Garth Rademaker

(74) *Attorney, Agent, or Firm*—Banner & Witcoff, Ltd.

(57) **CLAIM**

The ornamental design for a toner cartridge, as shown and described.

DESCRIPTION

FIG. 1 is a front elevational view of a toner cartridge showing our new design;

FIG. 2 is a top plan view thereof;

FIG. 3 is a right side elevational view thereof;

FIG. 4 is a left side elevational view thereof;

FIG. 5 is a rear elevational view thereof;

FIG. 6 is a bottom plan view thereof;

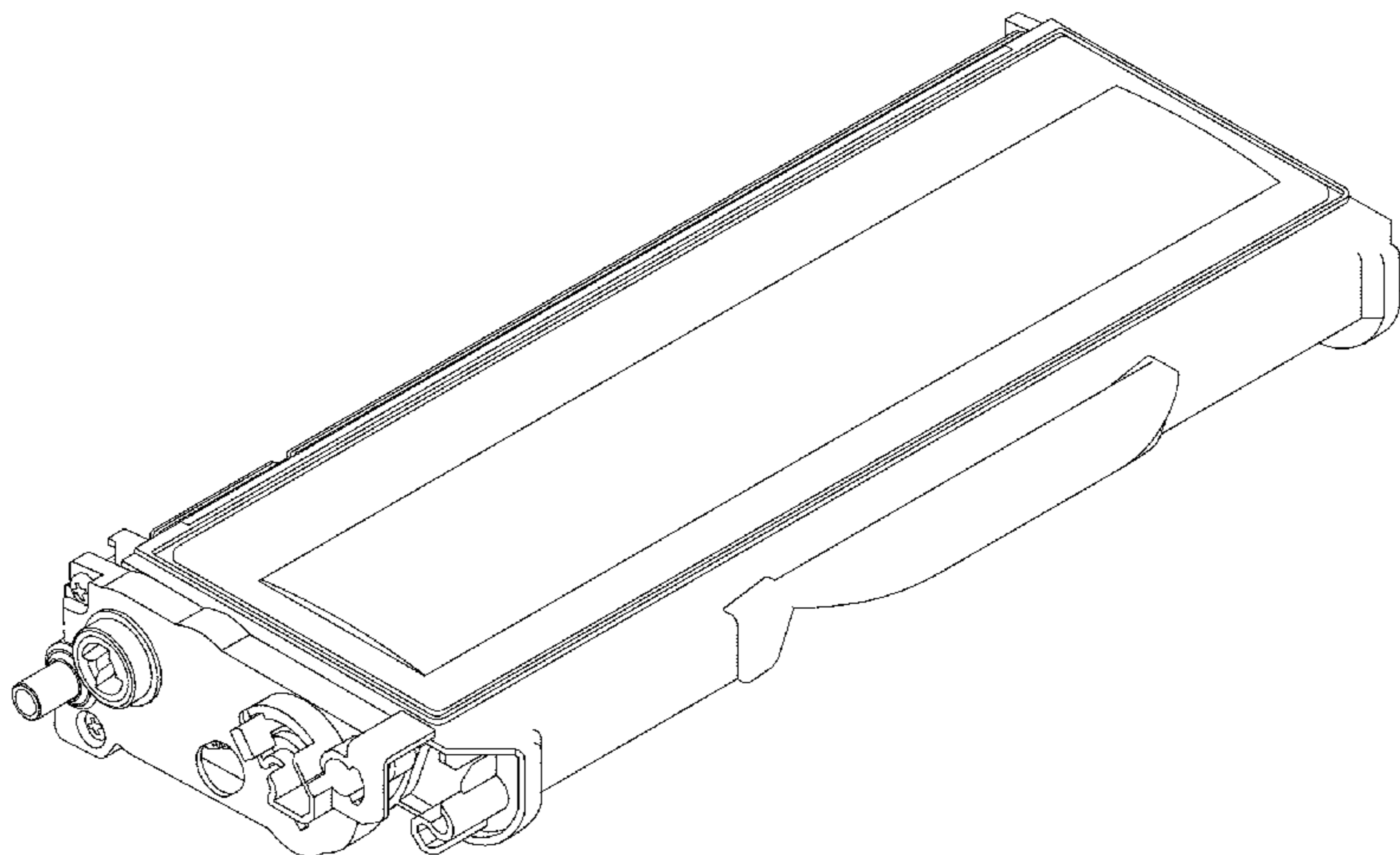
FIG. 7 is a top perspective view thereof;

FIG. 8 is a bottom perspective view thereof; and,

FIG. 9 is a cross sectional view taken through line 9-9 of FIG. 2.

The broken line showing of various features of FIGS. 1, 3, 4, 6, and 9 is for environmental purposes only and forms no part of the claimed design.

1 Claim, 8 Drawing Sheets



US D601,183 S

Page 2

U.S. PATENT DOCUMENTS

D512,454 S 12/2005 Ishii et al.
D521,545 S 5/2006 Ishii et al.
D522,564 S 6/2006 Ishii et al.
D523,894 S 6/2006 Ishii et al.
D523,895 S 6/2006 Ishii et al.
D523,896 S 6/2006 Ishii et al.
D528,148 S 9/2006 Ishii et al.
D531,660 S 11/2006 Ishii et al.
D531,661 S 11/2006 Ishii et al.
D533,215 S 12/2006 Ishii et al.
D533,583 S 12/2006 Kobayashi et al.
D550,763 S 9/2007 Ishikawa et al.
D550,764 S * 9/2007 Ishikawa et al. D18/43
D550,765 S * 9/2007 Ishikawa et al. D18/43
D550,766 S 9/2007 Takagi
D550,767 S 9/2007 Kishi

D551,285 S 9/2007 Ishikawa et al.
D566,169 S 4/2008 Ishikawa et al.
2006/0029422 A1* 2/2006 Shiraki 399/111
2006/0275052 A1* 12/2006 Ishikawa 399/111
2008/0138108 A1* 6/2008 Okabe et al. 399/111

OTHER PUBLICATIONS

Co-pending U.S. Appl. No. 29/276,993, filed Feb. 9, 2007.
Co-pending U.S. Appl. No. 29/276,991, filed Feb. 9, 2007.
Co-pending U.S. Appl. No. 29/276,994, filed Feb. 9, 2007.
Co-pending U.S. Appl. No. 29/245,316, filed Dec. 22, 2005.
Co-pending U.S. Appl. No. 29/276,996, filed Feb. 9, 2007.
Co-pending U.S. Appl. No. 29/276,997, filed Feb. 9, 2007.
Co-pending U.S. Appl. No. 29/276,995, filed Feb. 9, 2007.
Co-pending U.S. Appl. No. 29/276,998, filed Feb. 9, 2007.

* cited by examiner

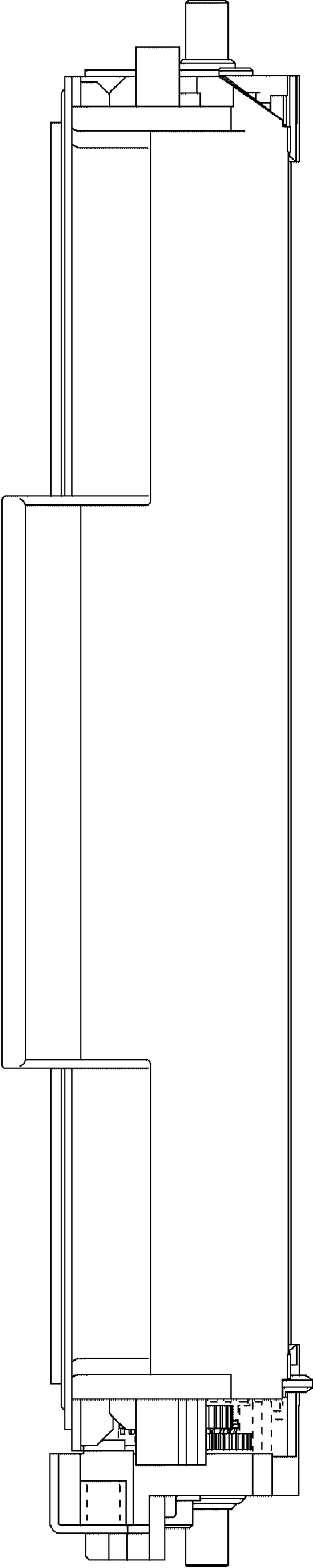


FIG. 1

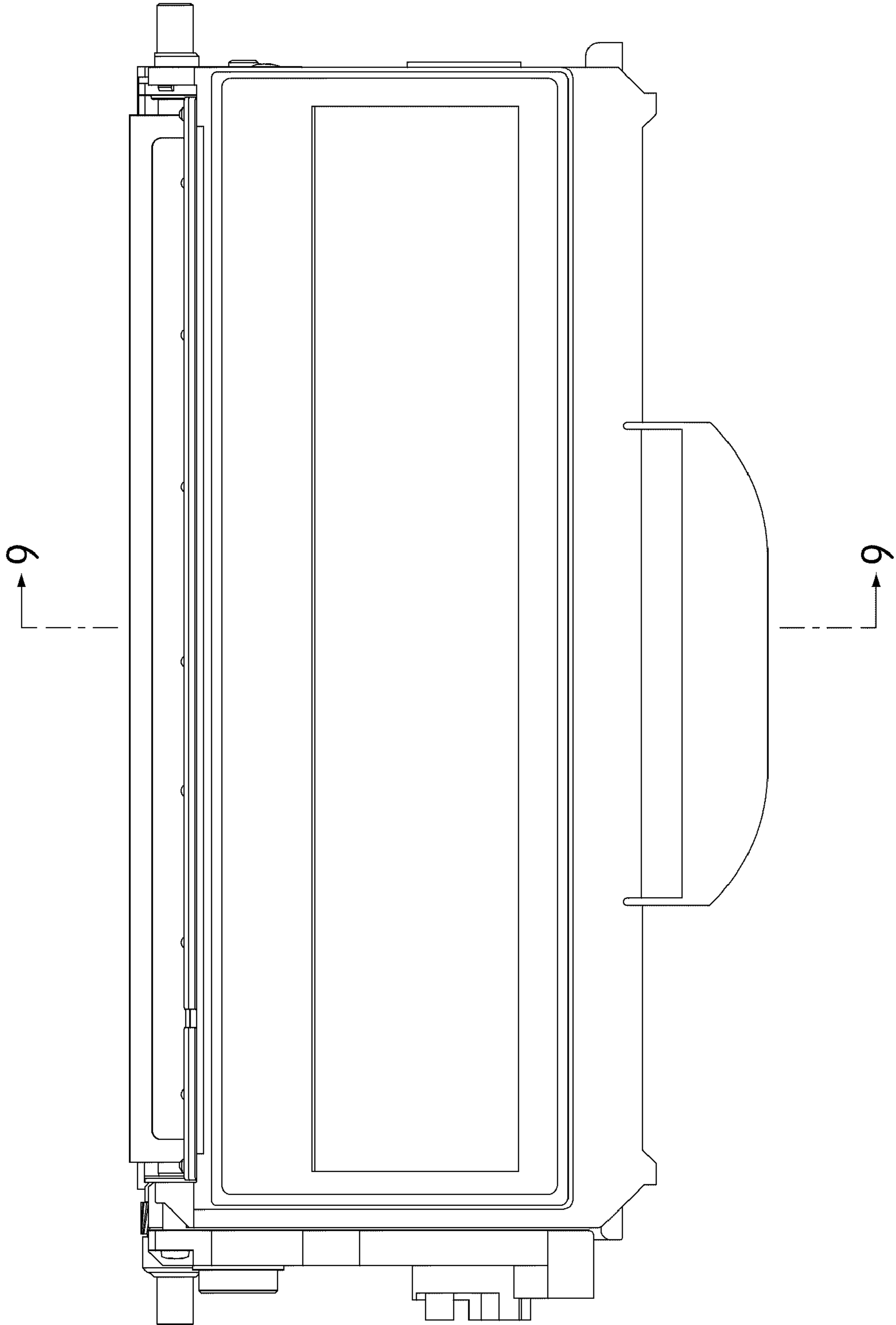


FIG. 2

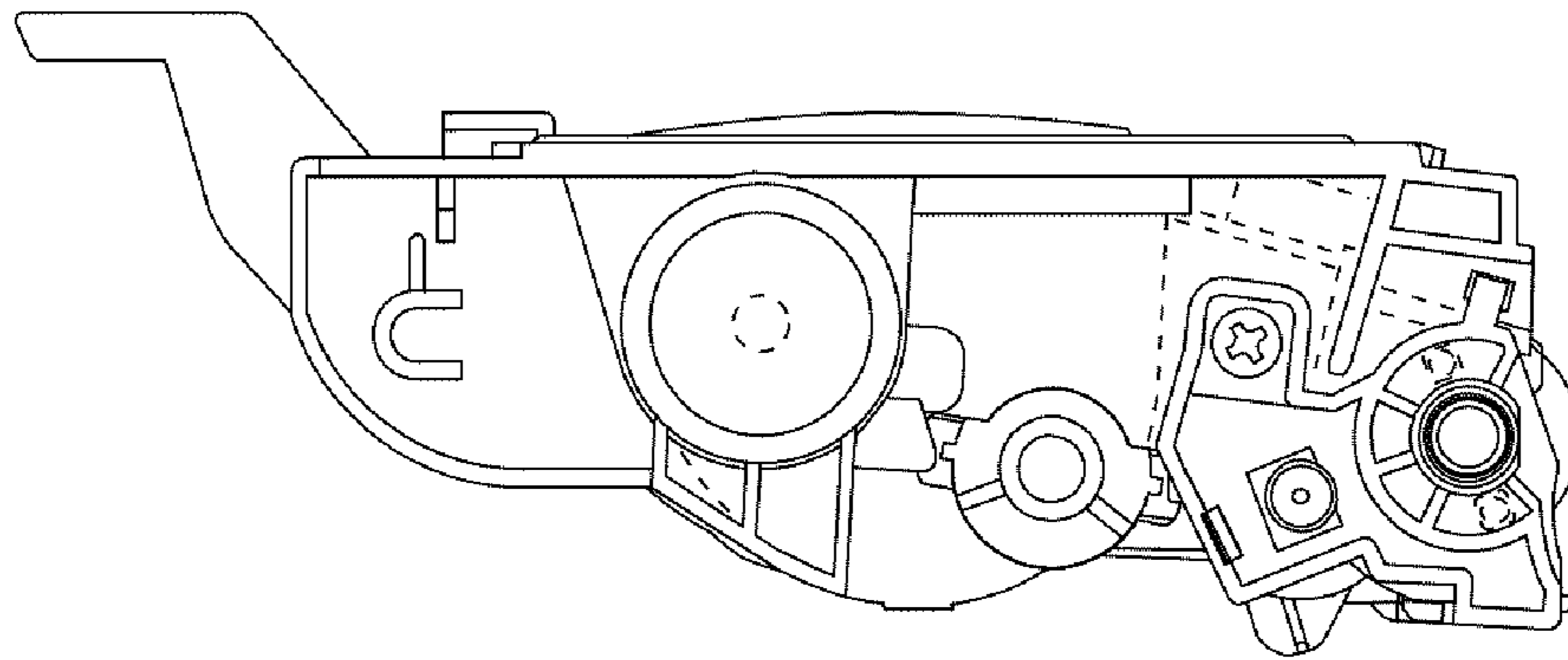


FIG. 3

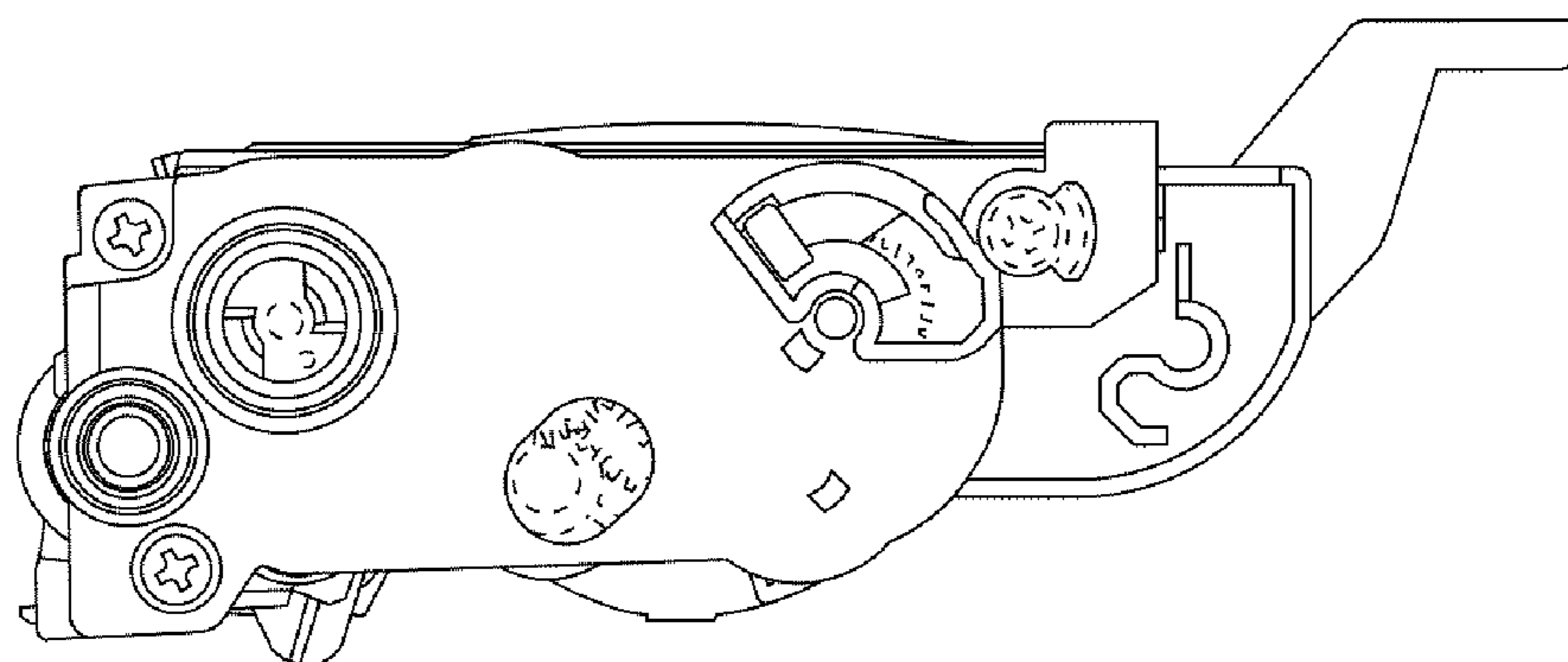


FIG. 4

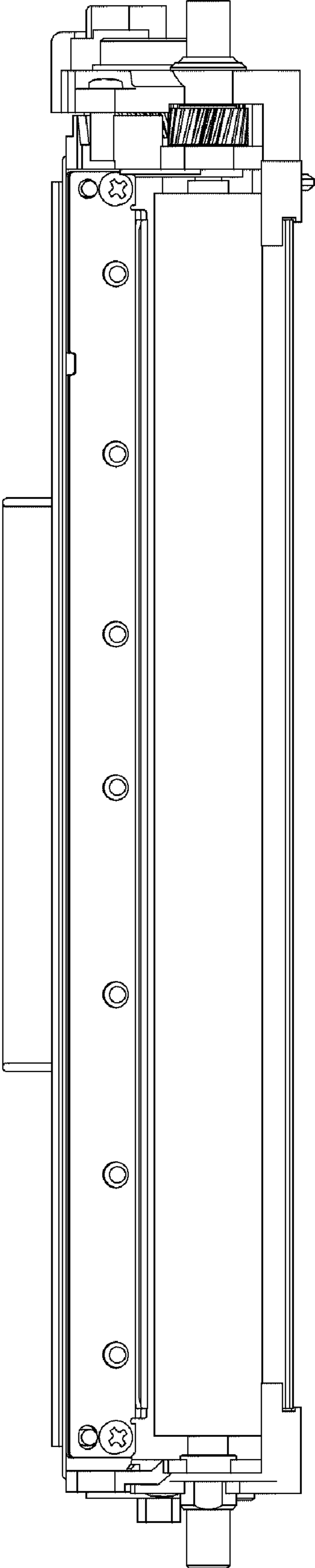


FIG. 5

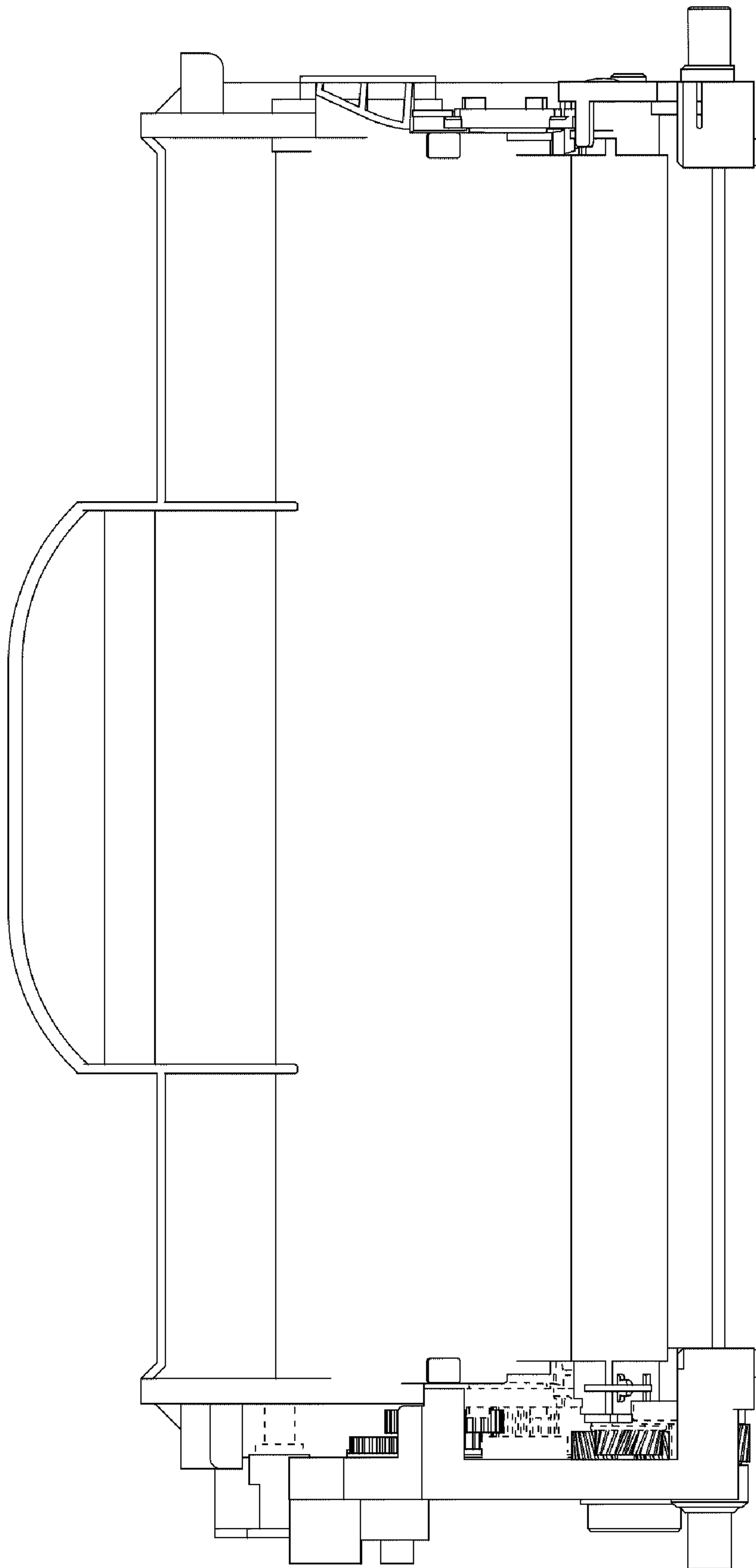


FIG. 6

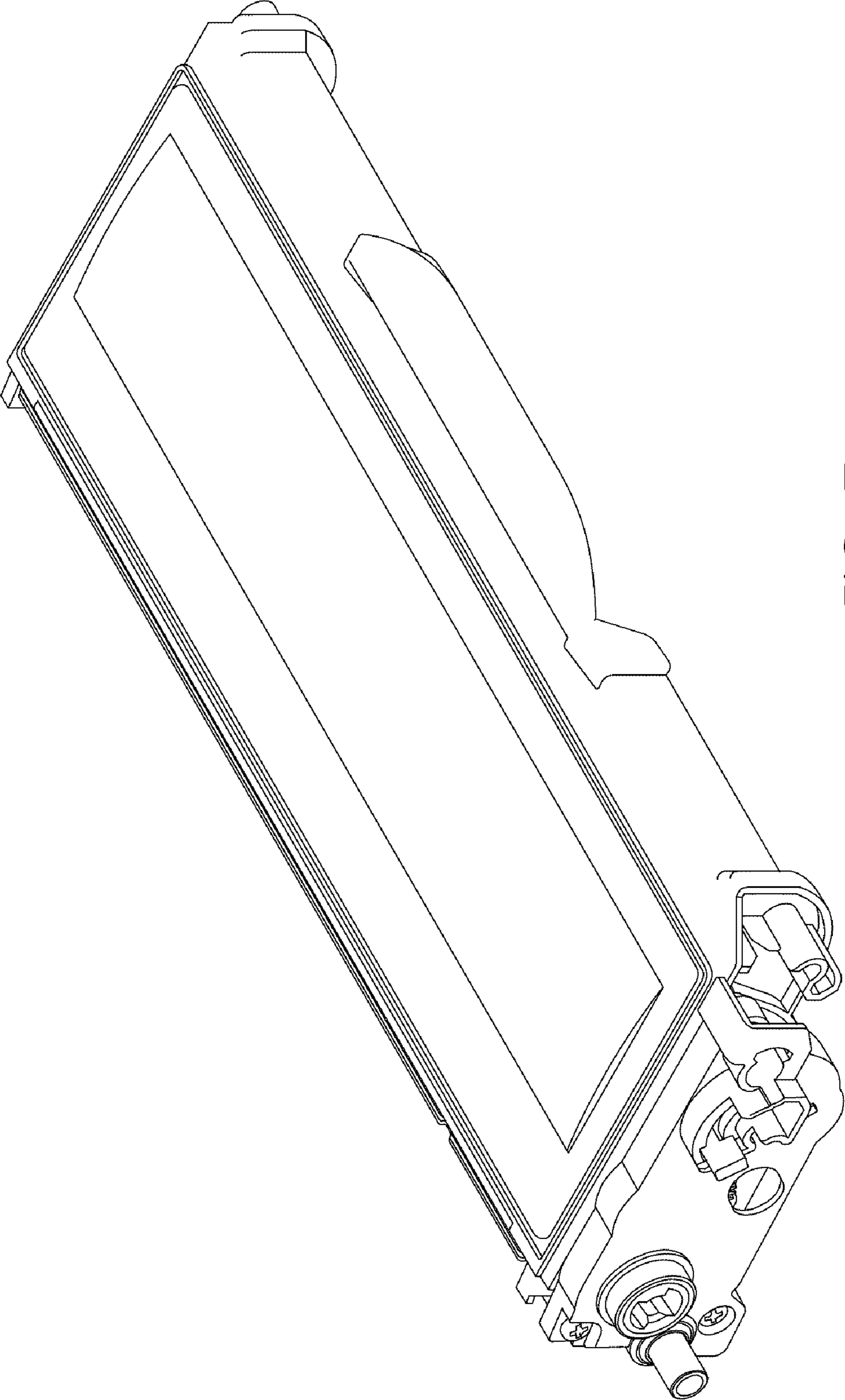


FIG. 7

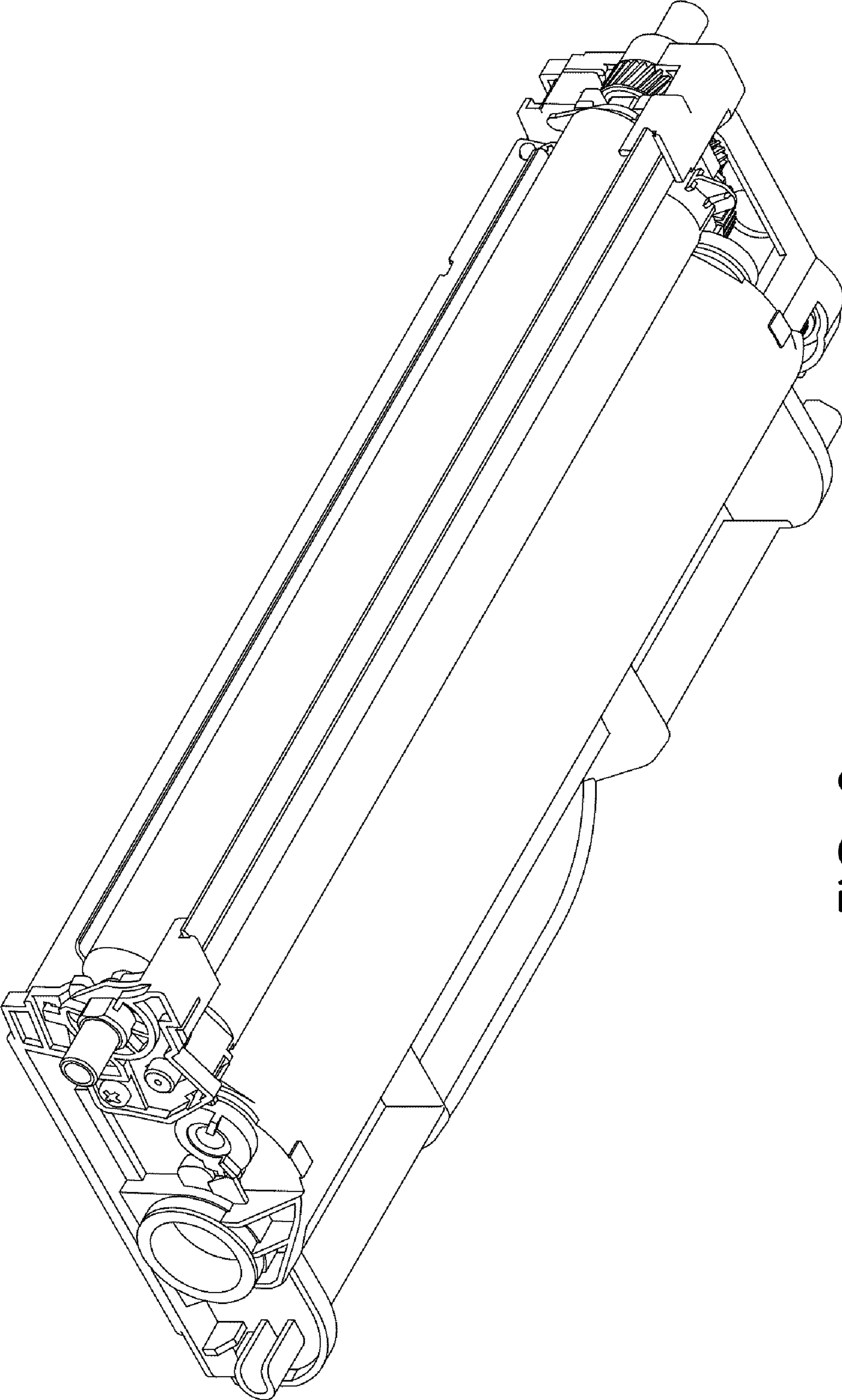


FIG. 8

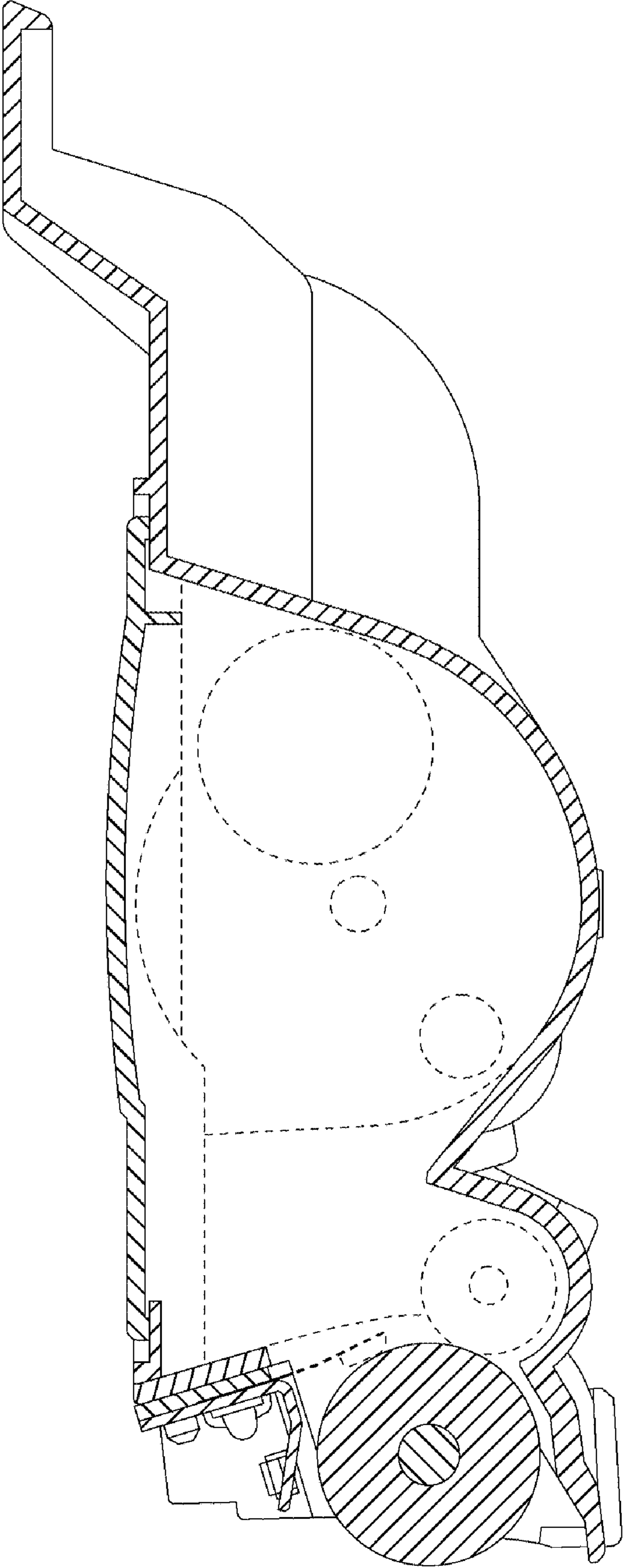


FIG. 9