



US00D601182S

(12) **United States Design Patent**
Mita et al.

(10) **Patent No.:** **US D601,182 S**
(45) **Date of Patent:** **** Sep. 29, 2009**

(54) **TAPE PRINTING MACHINE**

(75) Inventors: **Masayoshi Mita**, Nagoya (JP);
Mitsuhara Hattori, Nagoya (JP)

(73) Assignee: **Brother Industries, Ltd.**, Nagoya (JP)

(**) Term: **14 Years**

(21) Appl. No.: **29/334,040**

(22) Filed: **Mar. 19, 2009**

(30) **Foreign Application Priority Data**

Oct. 16, 2008 (JP) 2008-026652

(51) **LOC (9) Cl.** **18-02**

(52) **U.S. Cl.** **D18/19; D14/392**

(58) **Field of Classification Search** D18/15-19,
D18/50, 7; 400/462-470, 613.1-613.4, 693,
400/208; 156/384, DIG. 48-49; D19/68;
D13/164; D14/392

See application file for complete search history.

(56) **References Cited**

U.S. PATENT DOCUMENTS

5,435,657 A * 7/1995 Pearce et al. 400/208
D363,082 S * 10/1995 Watanabe et al. D18/19
D424,606 S * 5/2000 Yatabe D18/19
D444,494 S * 7/2001 Shimoki et al. D18/19
D457,912 S * 5/2002 Shigemura et al. D18/19

D525,648 S * 7/2006 Hattori D18/19
D526,005 S * 8/2006 Matsumoto D18/19
D552,668 S * 10/2007 Hattori D18/19
D565,644 S * 4/2008 Hattori D18/19
7,513,706 B2 * 4/2009 Kimura et al. 400/693

* cited by examiner

Primary Examiner—Charles A Rademaker

(74) *Attorney, Agent, or Firm*—Olliff & Berridge, PLC

(57) **CLAIM**

The ornamental design for a tape printing machine, as shown and described.

DESCRIPTION

FIG. 1 is a perspective view of a tape printing machine;

FIG. 2 is a top view thereof;

FIG. 3 is a front view thereof;

FIG. 4 is a right-side view thereof;

FIG. 5 is a left-side view thereof;

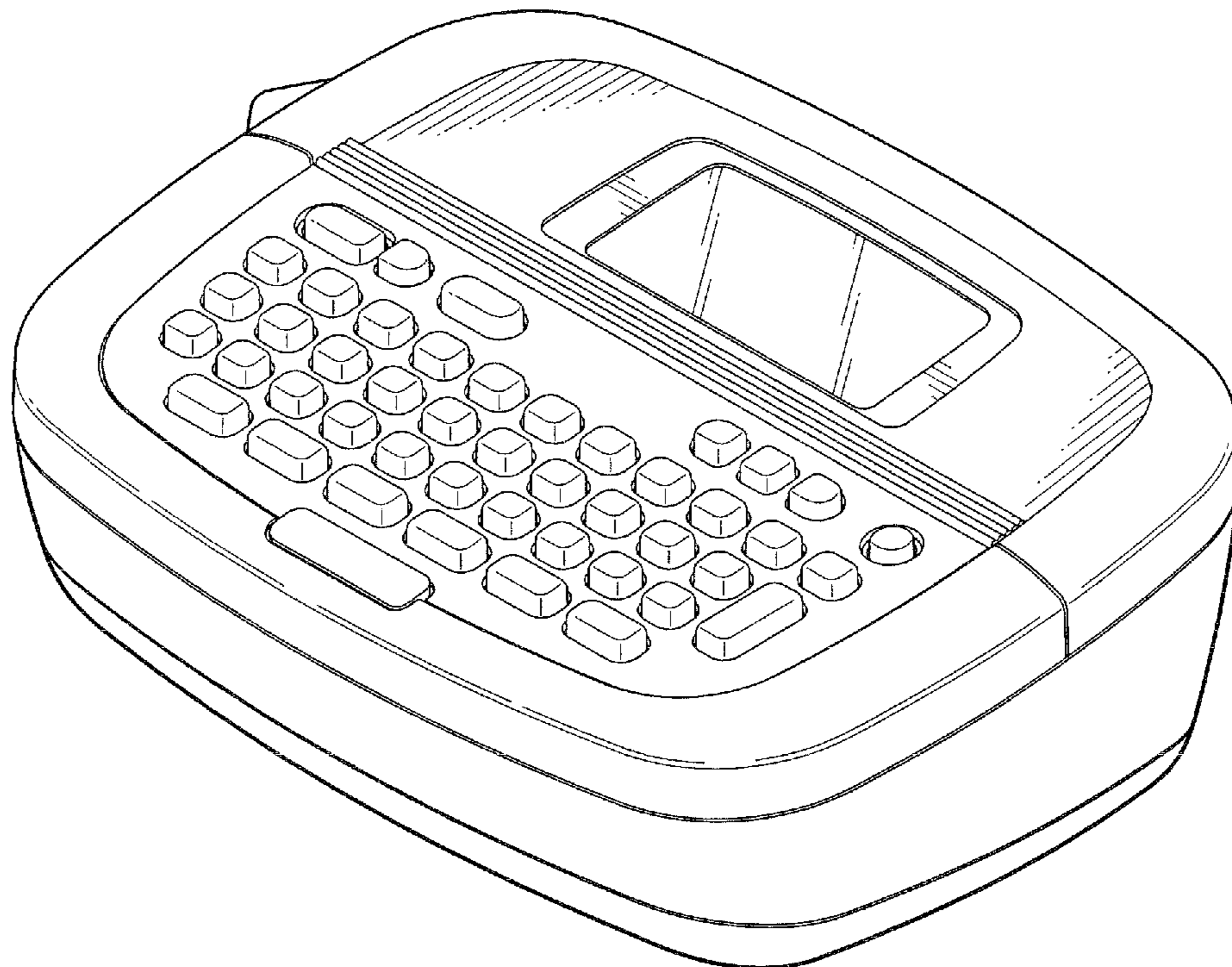
FIG. 6 is a rear view thereof;

FIG. 7 is a bottom view thereof; and,

FIG. 8 is a cross-sectional view thereof taken along the line 8—8 of FIG. 2.

The broken lines depict environmental subject matter only and form no part of the claimed design.

1 Claim, 7 Drawing Sheets



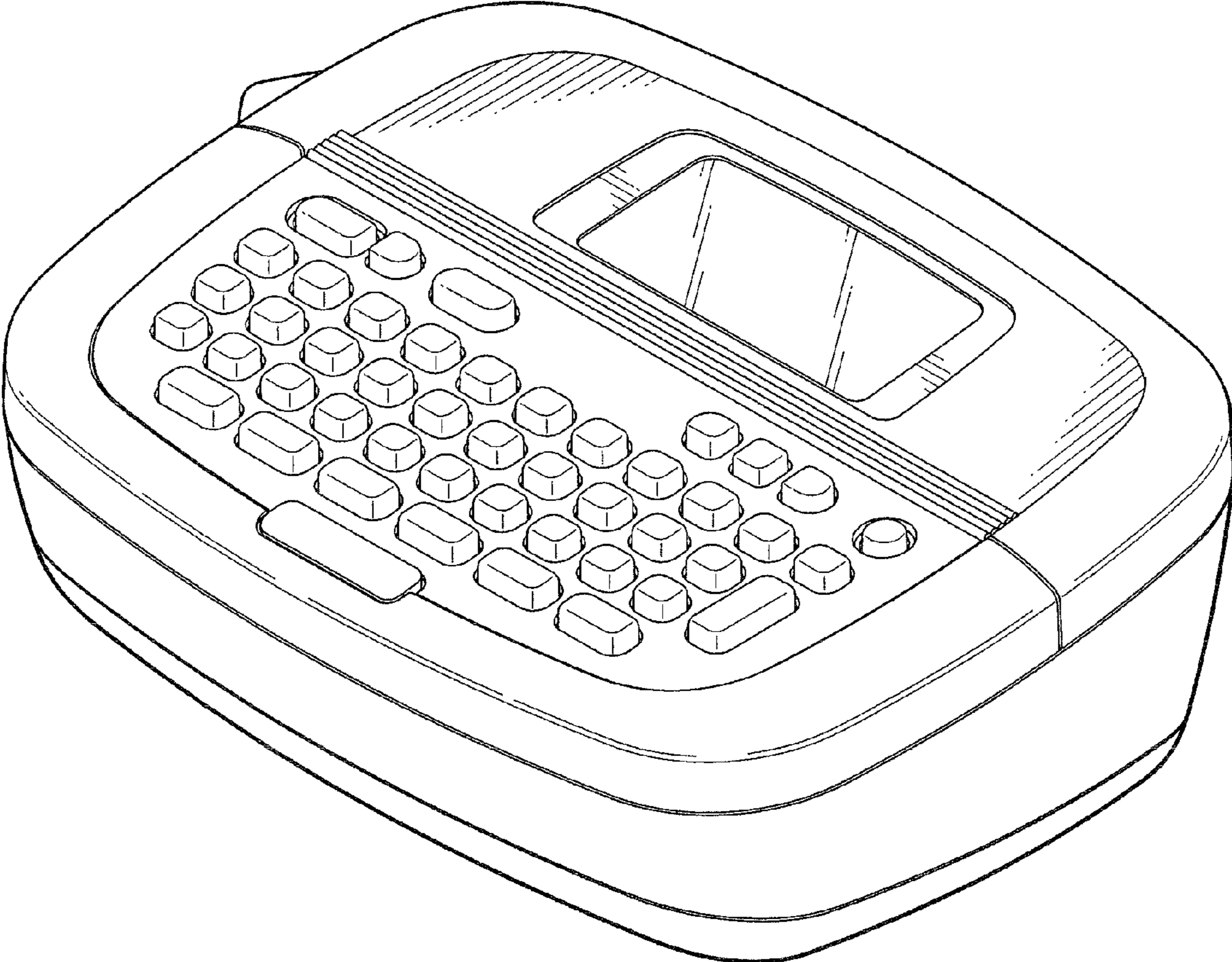


FIG. 1

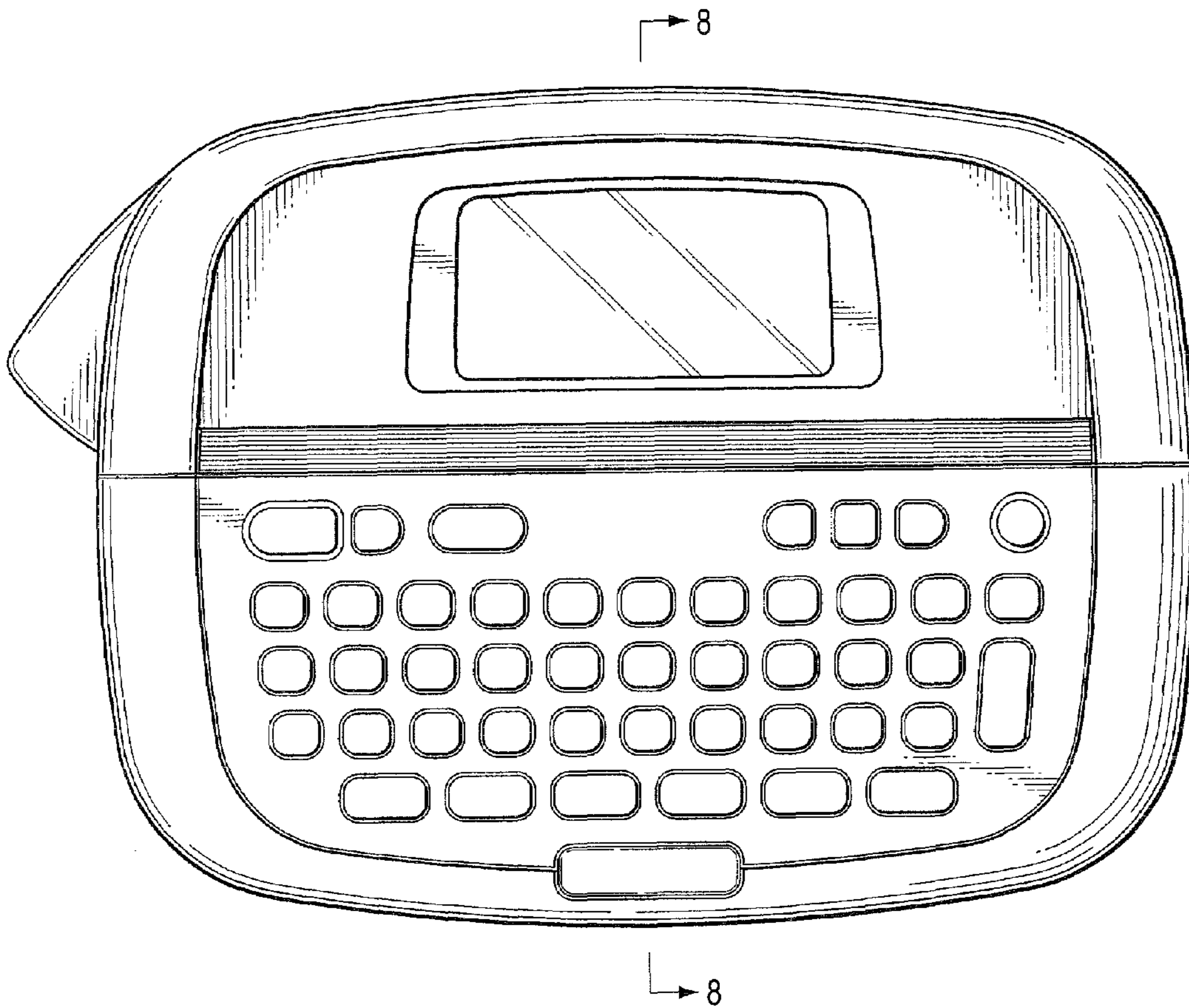


FIG. 2

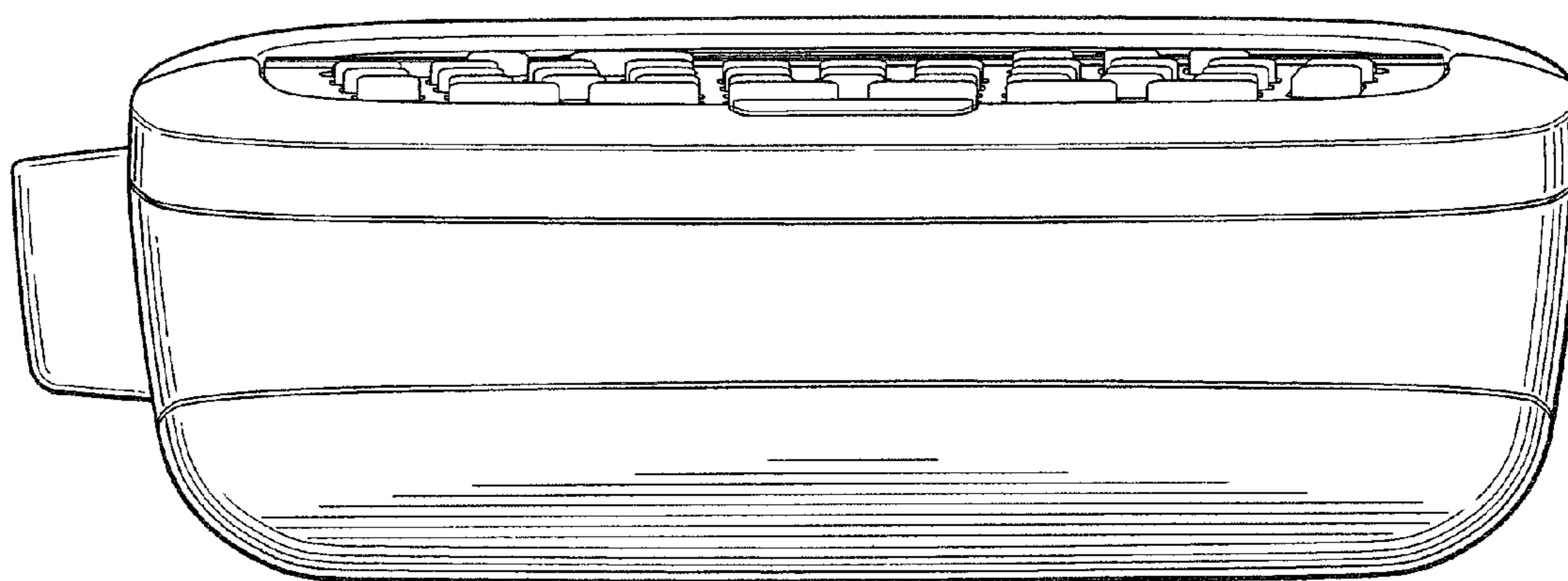


FIG. 3

FIG. 4

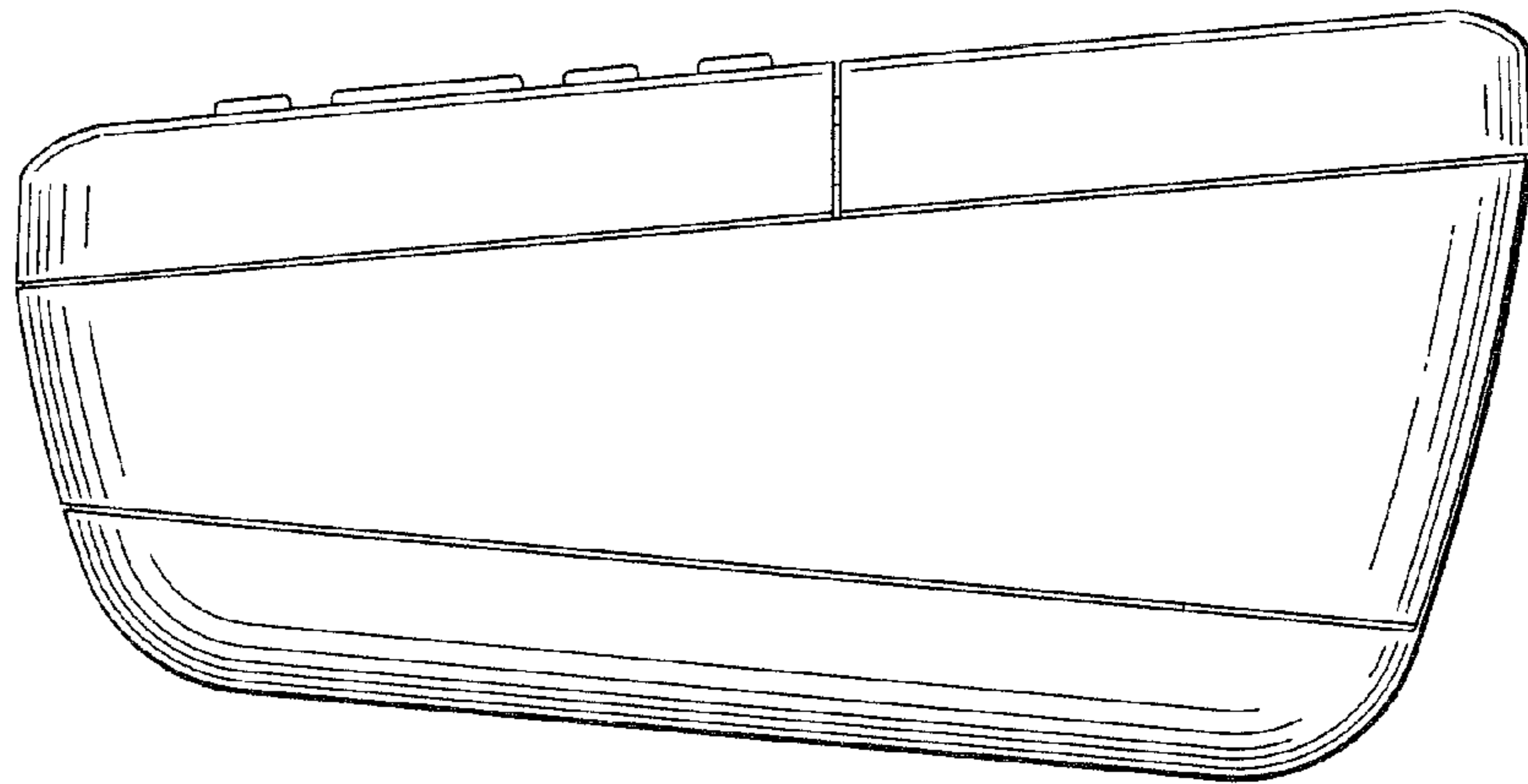
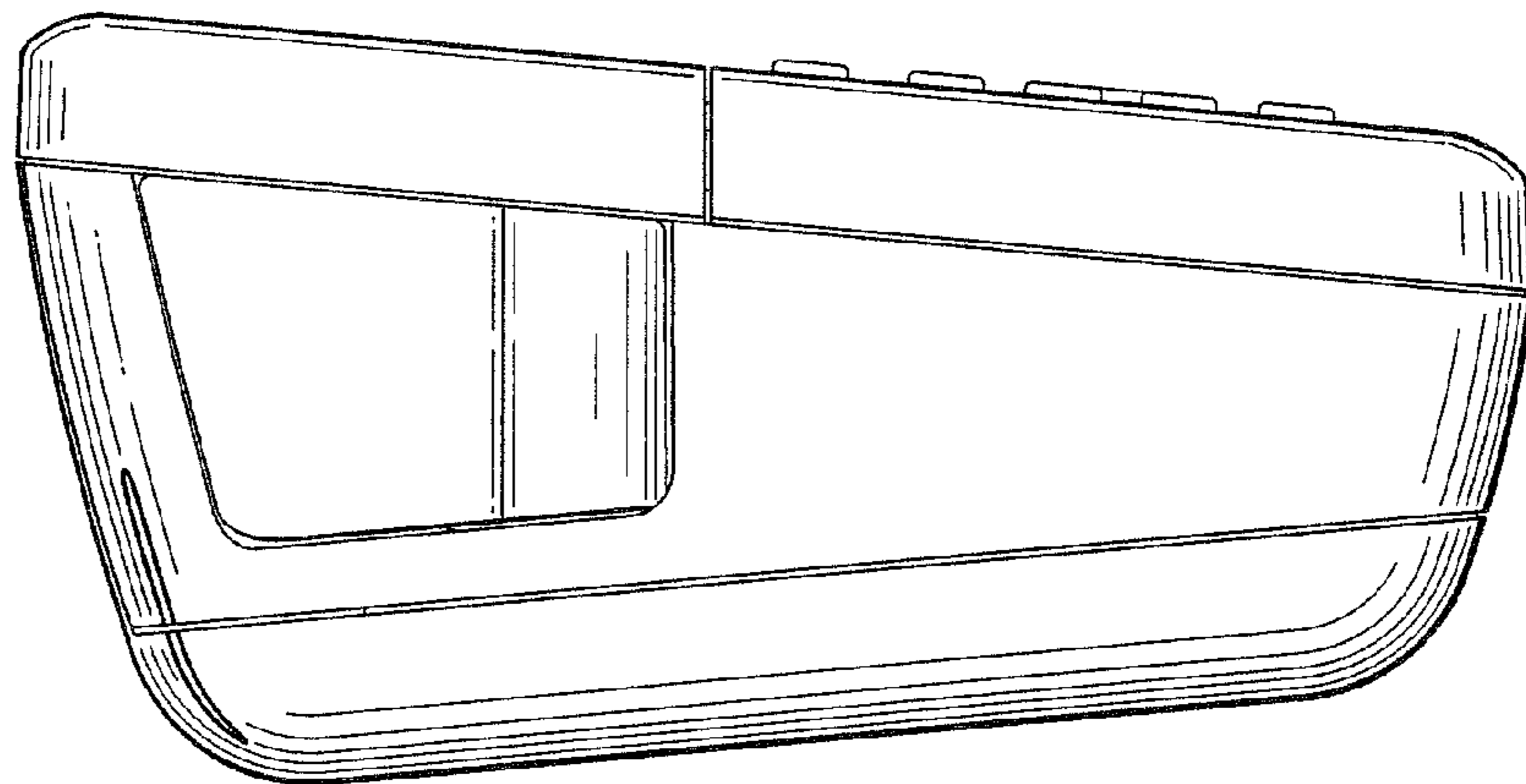


FIG. 5



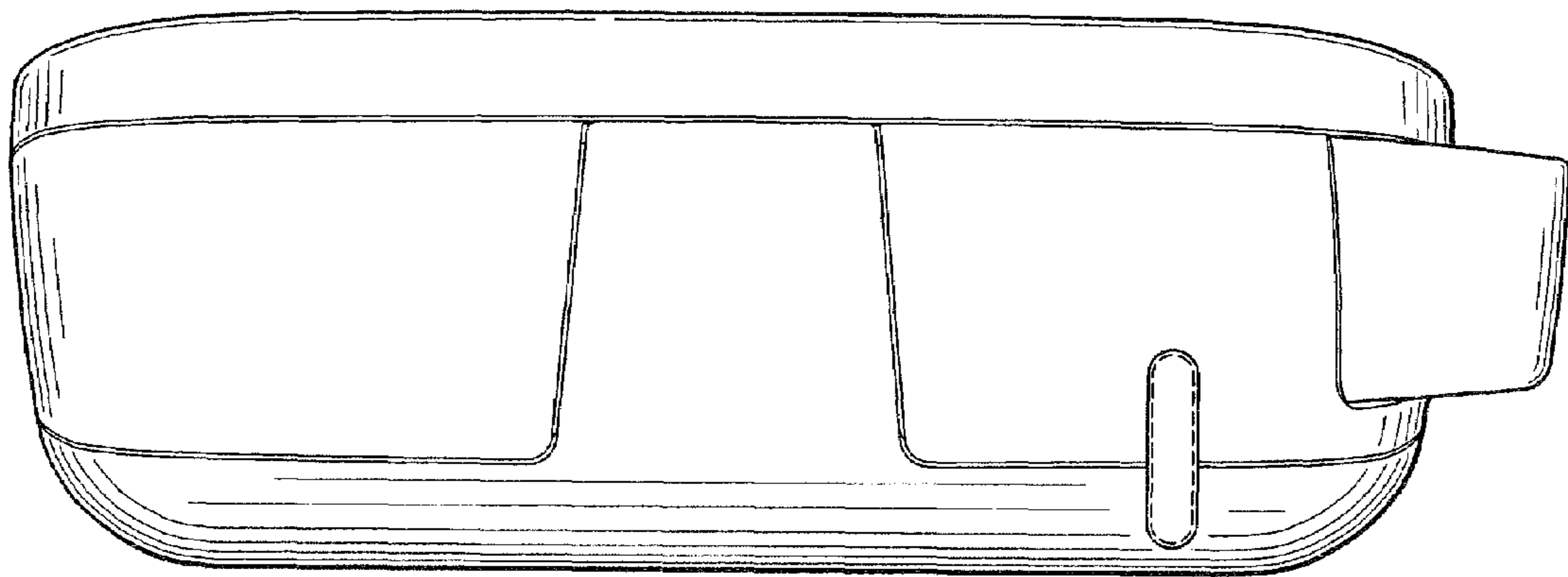


FIG. 6

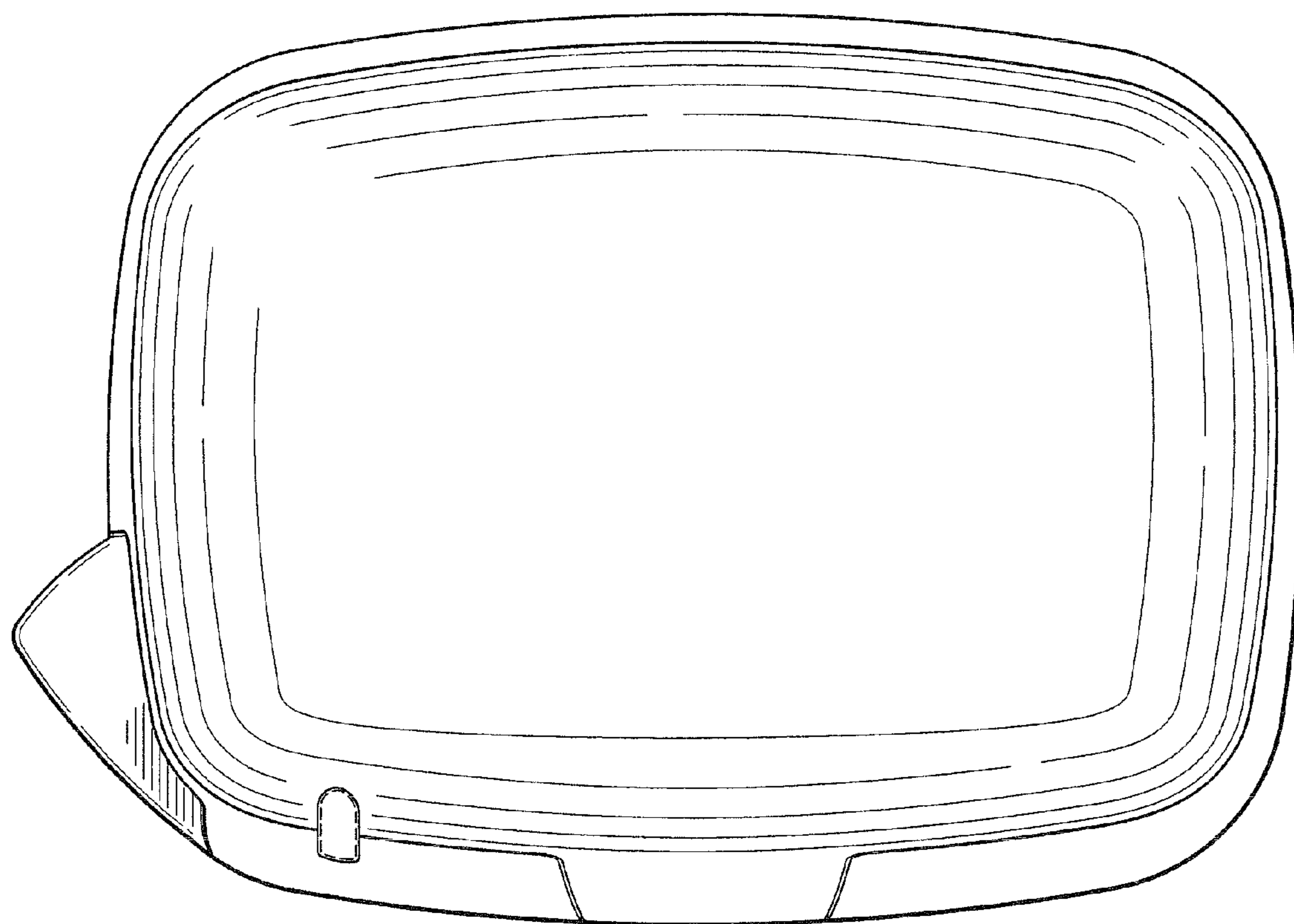


FIG. 7

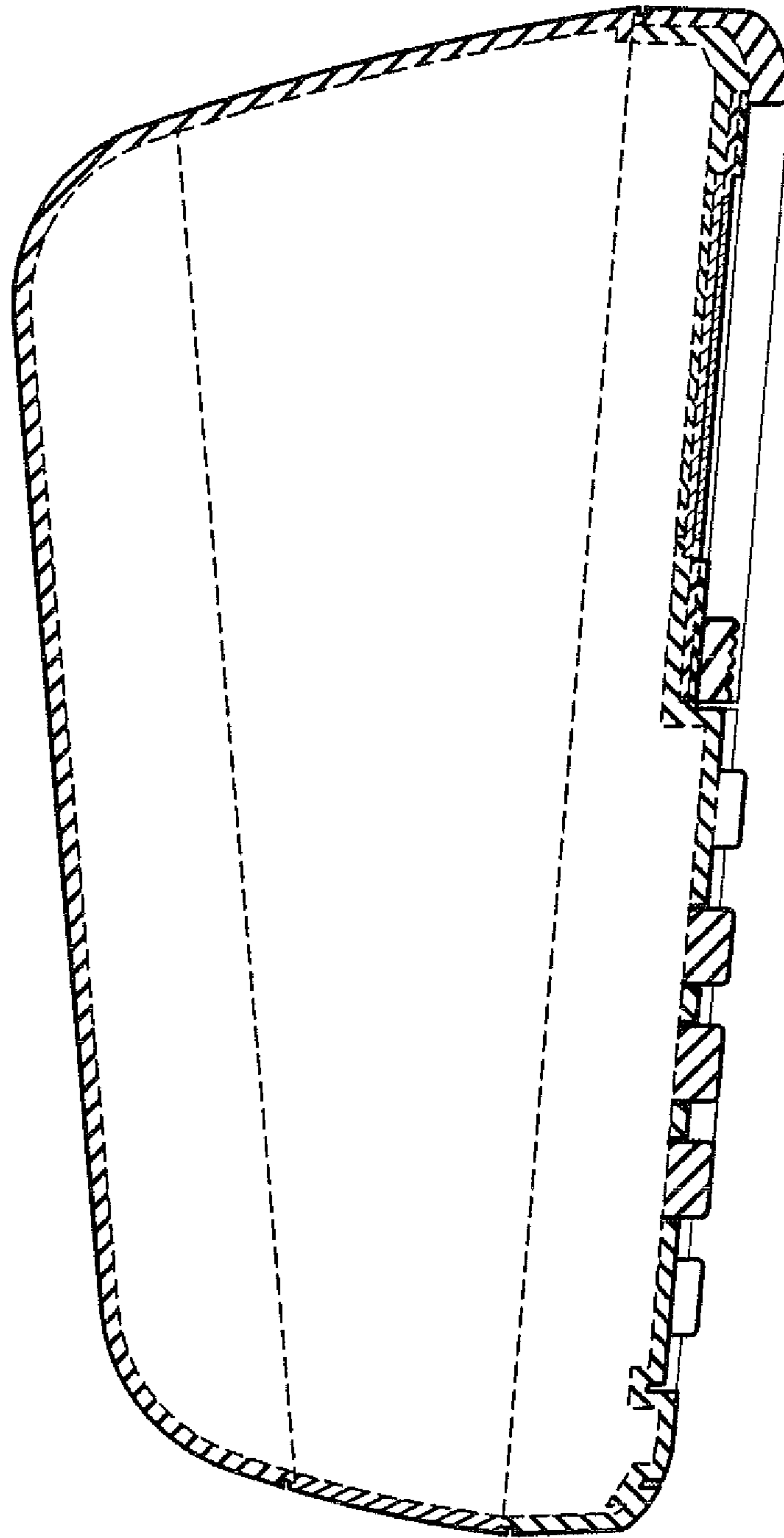


FIG. 8

UNITED STATES PATENT AND TRADEMARK OFFICE
CERTIFICATE OF CORRECTION

PATENT NO. : Des. 601,182 S
APPLICATION NO. : 29/334040
DATED : September 29, 2009
INVENTOR(S) : Masayoshi Mita et al.

Page 1 of 1

It is certified that error appears in the above-identified patent and that said Letters Patent is hereby corrected as shown below:

Title page, delete the following:

Item "(75) Inventors: Masayoshi Mita, Nagoya (JP):
Mitsuhara Hattori, Nagoya (JP)"

And replace with:

--(75) Inventors: Masayoshi Mita, Nagoya (JP):
Mitsuharu Hattori, Nagoya (JP)--

Signed and Sealed this

Seventeenth Day of November, 2009



David J. Kappos
Director of the United States Patent and Trademark Office