



US00D601180S

(12) **United States Design Patent**
Takeda

(10) **Patent No.:** **US D601,180 S**

(45) **Date of Patent:** **** Sep. 29, 2009**

(54) **EXHAUST OPENING PANEL FOR PROJECTOR**

(75) Inventor: **Mikiya Takeda**, Tokyo (JP)

(73) Assignee: **NEC Display Solutions, Ltd.**, Tokyo (JP)

(**) Term: **14 Years**

(21) Appl. No.: **29/321,621**

(22) Filed: **Jul. 21, 2008**

(30) **Foreign Application Priority Data**

Jan. 22, 2008 (JP) 2008-001138

(51) **LOC (9) Cl.** **16-02**

(52) **U.S. Cl.** **D16/235; D23/371**

(58) **Field of Classification Search** D16/221, D16/225, 230, 235; 353/115, 119, 122, 54, 353/56, 57, 61, 52; D23/370-371, 381-383, D23/393; 454/353, 359; 416/244 R
See application file for complete search history.

(56) **References Cited**

U.S. PATENT DOCUMENTS

D32,089	S *	1/1900	Brown	D16/235
D403,755	S *	1/1999	Liang	D23/370
5,993,008	A *	11/1999	Hashimukai et al.	353/61
6,488,472	B1 *	12/2002	Miyazawa	416/144
6,733,157	B1 *	5/2004	Shyu et al.	362/294
D507,344	S *	7/2005	Anderson	D23/393
6,967,839	B2 *	11/2005	Chung et al.	361/695

6,971,749	B2 *	12/2005	Russell et al.	353/58
D558,321	S *	12/2007	Kramer et al.	D23/370
D570,981	S *	6/2008	McClelland	D23/370
2007/0070298	A1 *	3/2007	Hara et al.	353/57
2009/0081942	A1 *	3/2009	Vanden Bosch et al.	454/359

* cited by examiner

Primary Examiner—Ian Simmons

Assistant Examiner—Wan Laymon

(74) *Attorney, Agent, or Firm*—Sughrue Mion, PLLC

(57) **CLAIM**

The ornamental design for an exhaust opening panel for projector, as shown and described.

DESCRIPTION

FIG. 1 is a front, left side, top perspective view of an exhaust opening panel for projector showing my new design;

FIG. 2 is a front elevational view thereof;

FIG. 3 is a rear elevational view thereof;

FIG. 4 is a left side view thereof;

FIG. 5 is a right side view thereof;

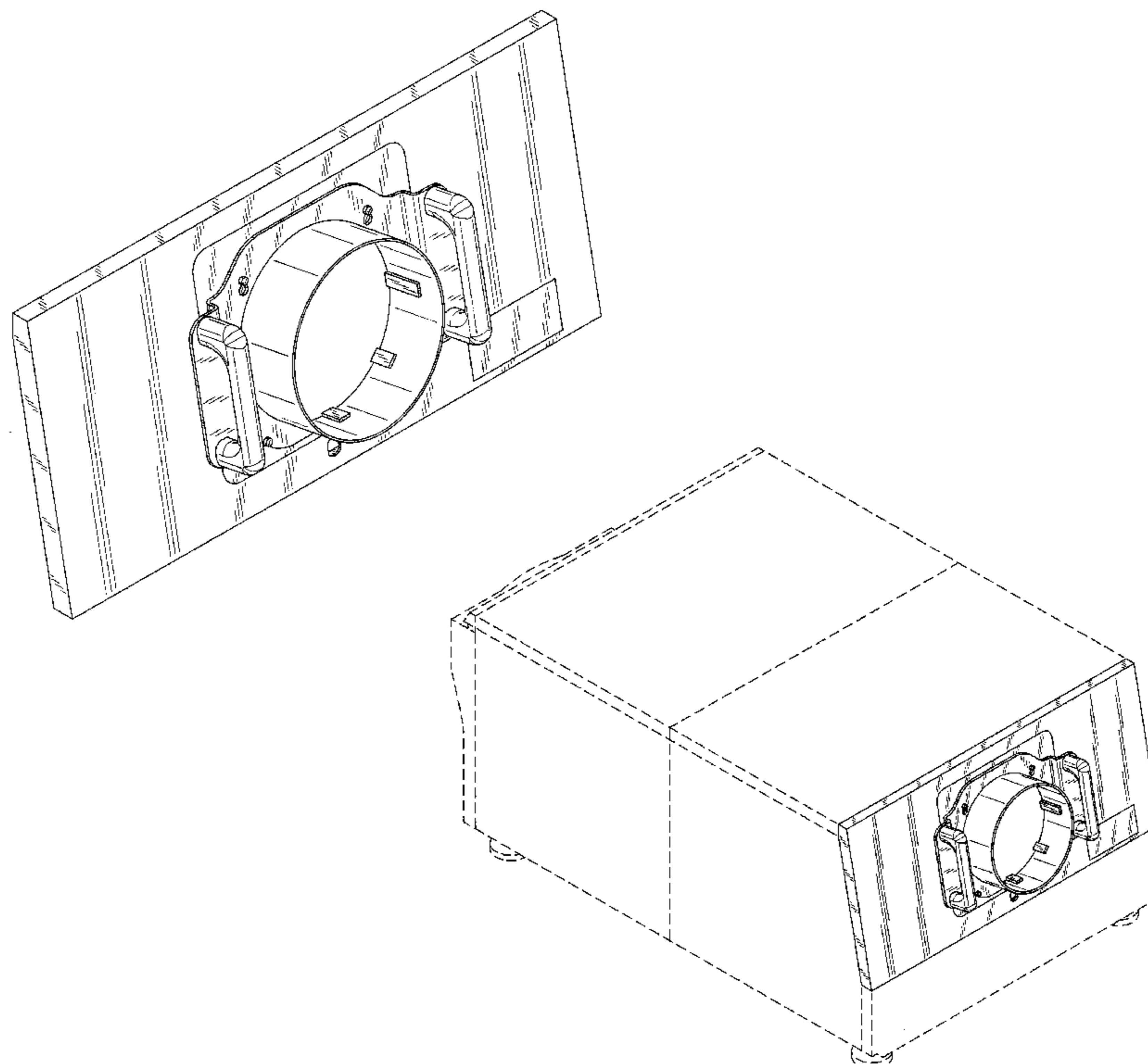
FIG. 6 is a top plan view thereof;

FIG. 7 is a bottom plan view thereof; and,

FIG. 8 is a reference view thereof showing a state in which this article is used.

The portions in broken lines are shown for illustrative purposes only and form no part of the claimed design.

1 Claim, 7 Drawing Sheets



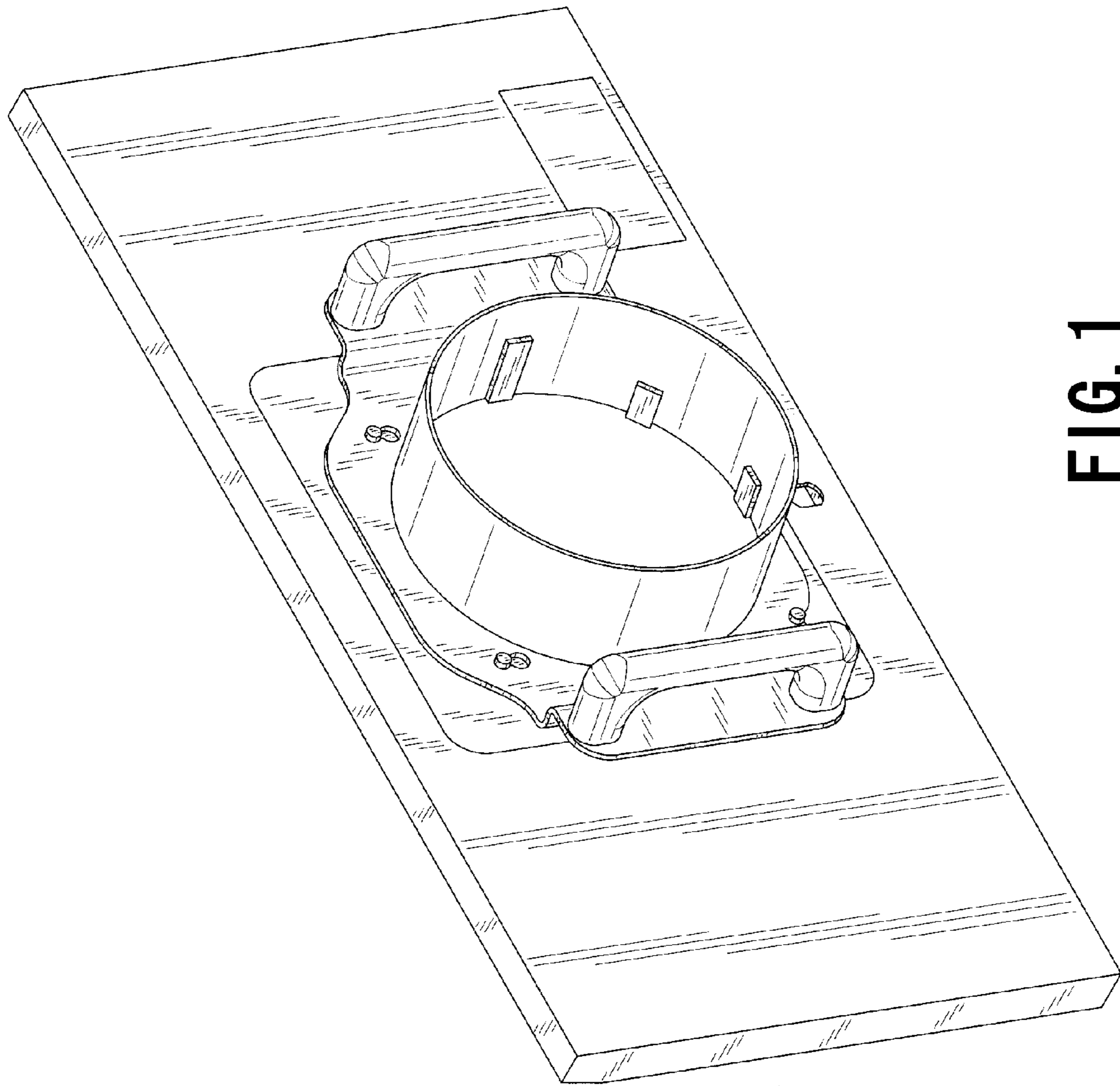


FIG. 1

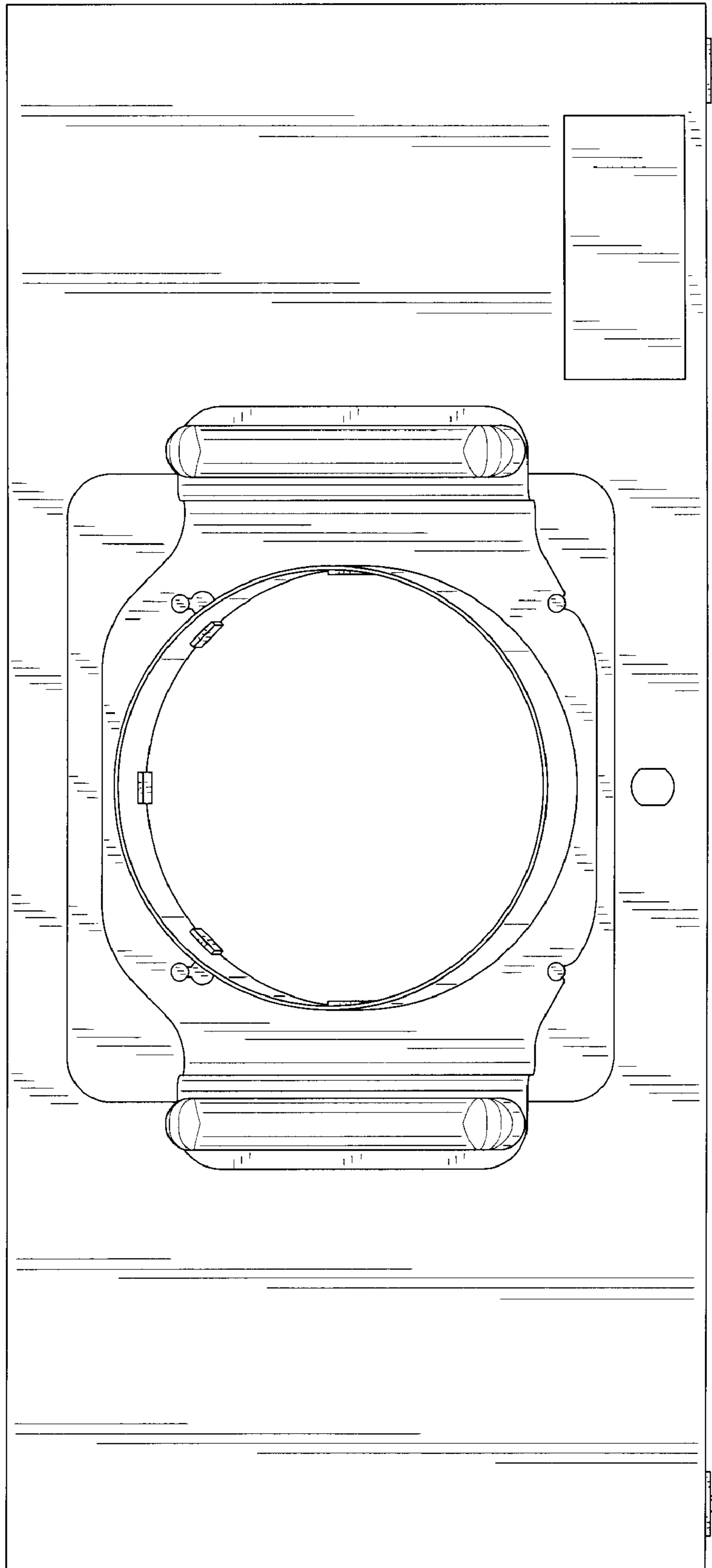


FIG. 2

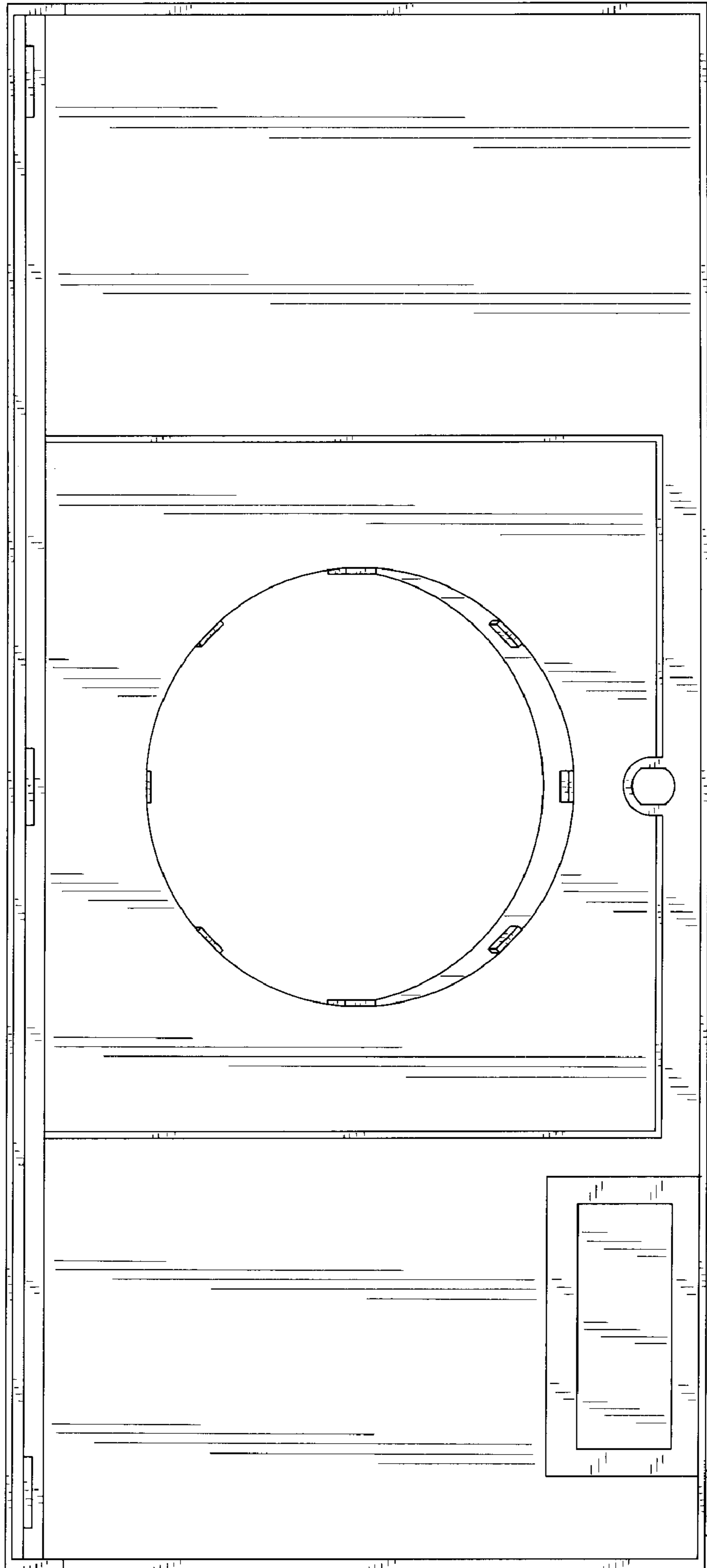


FIG. 3

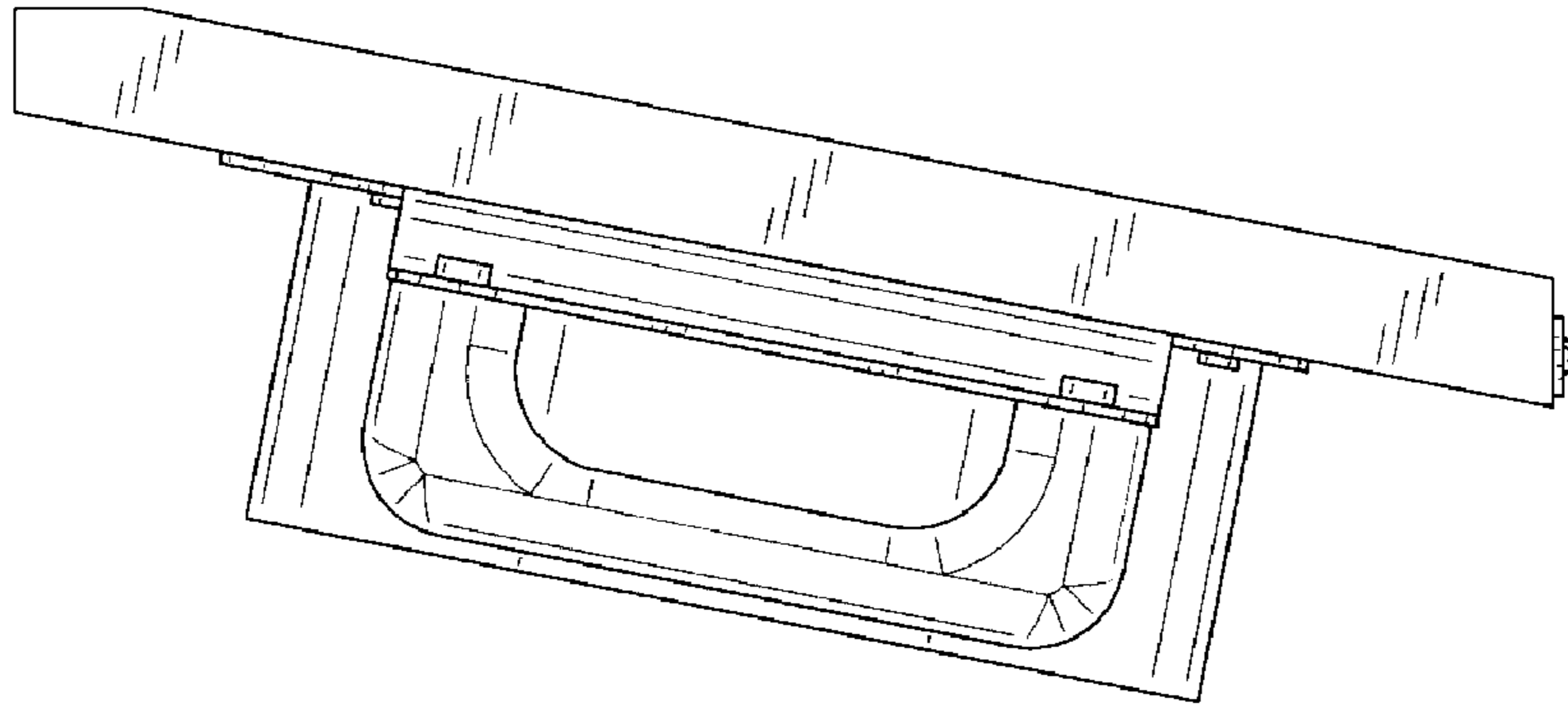


FIG. 5

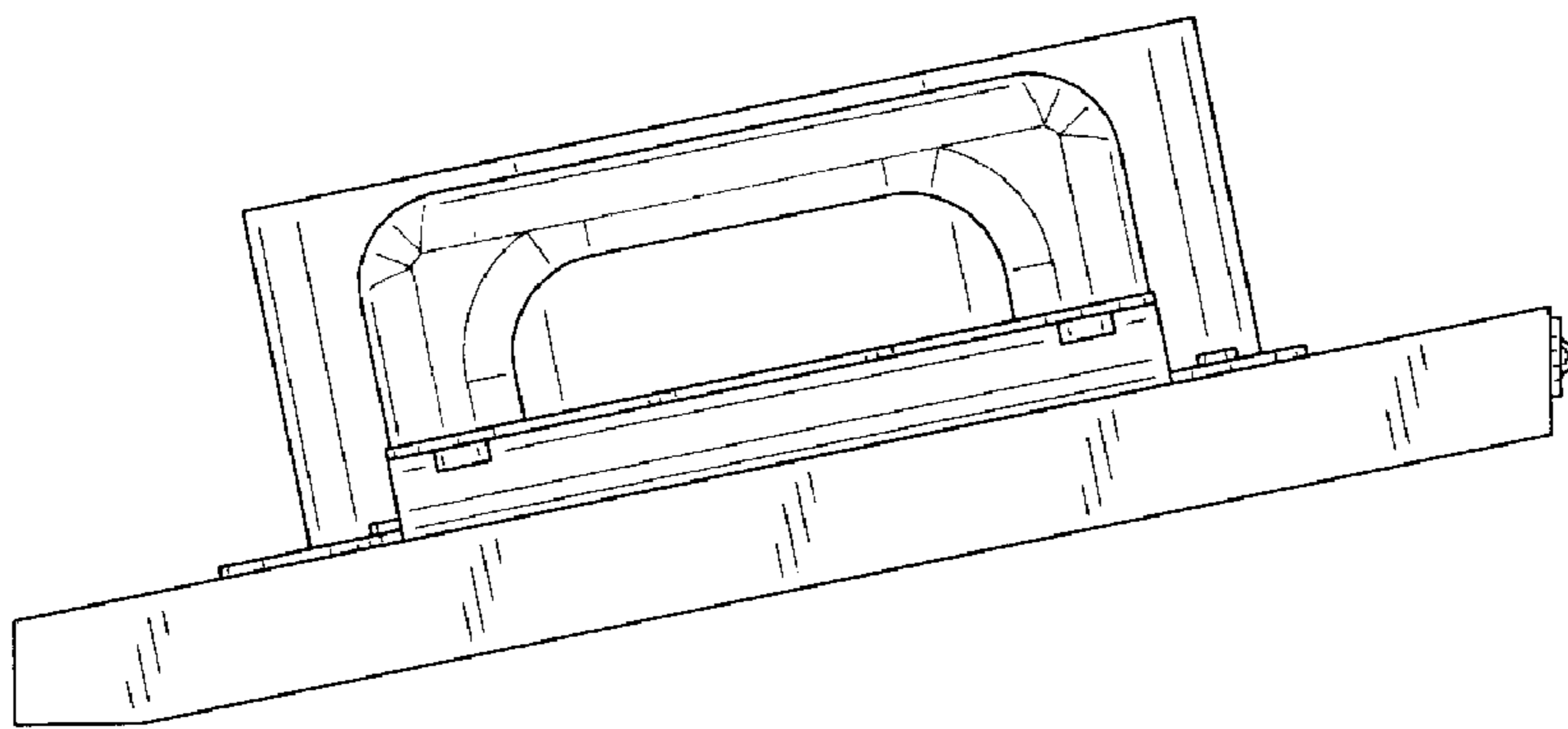


FIG. 4

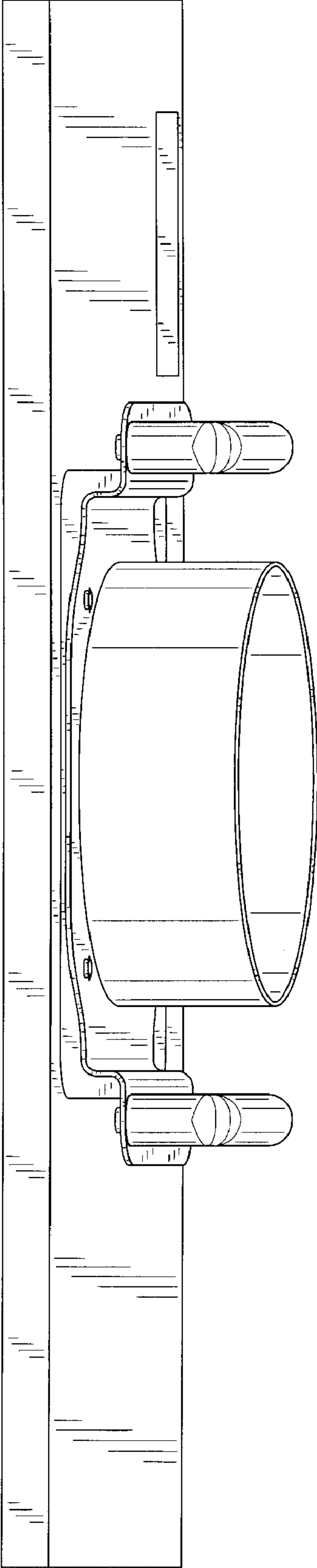


FIG. 6

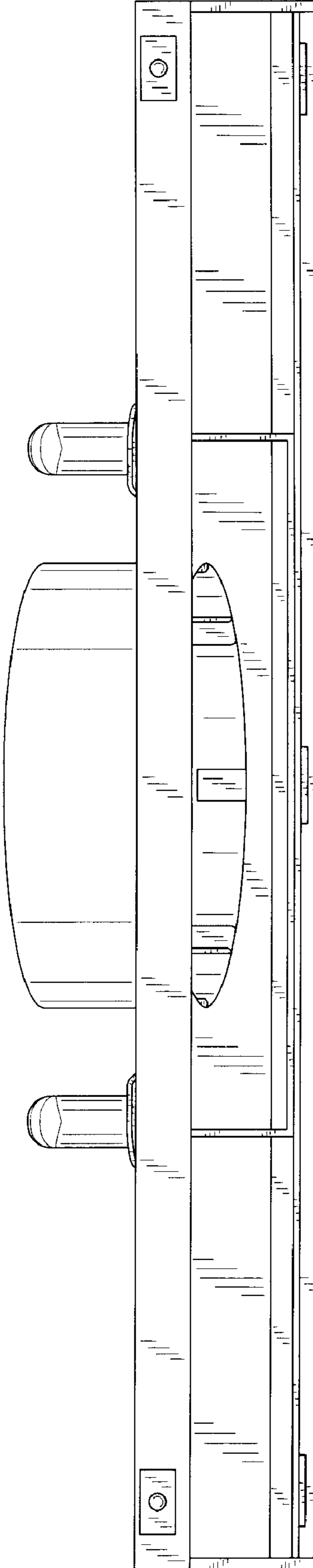


FIG. 7

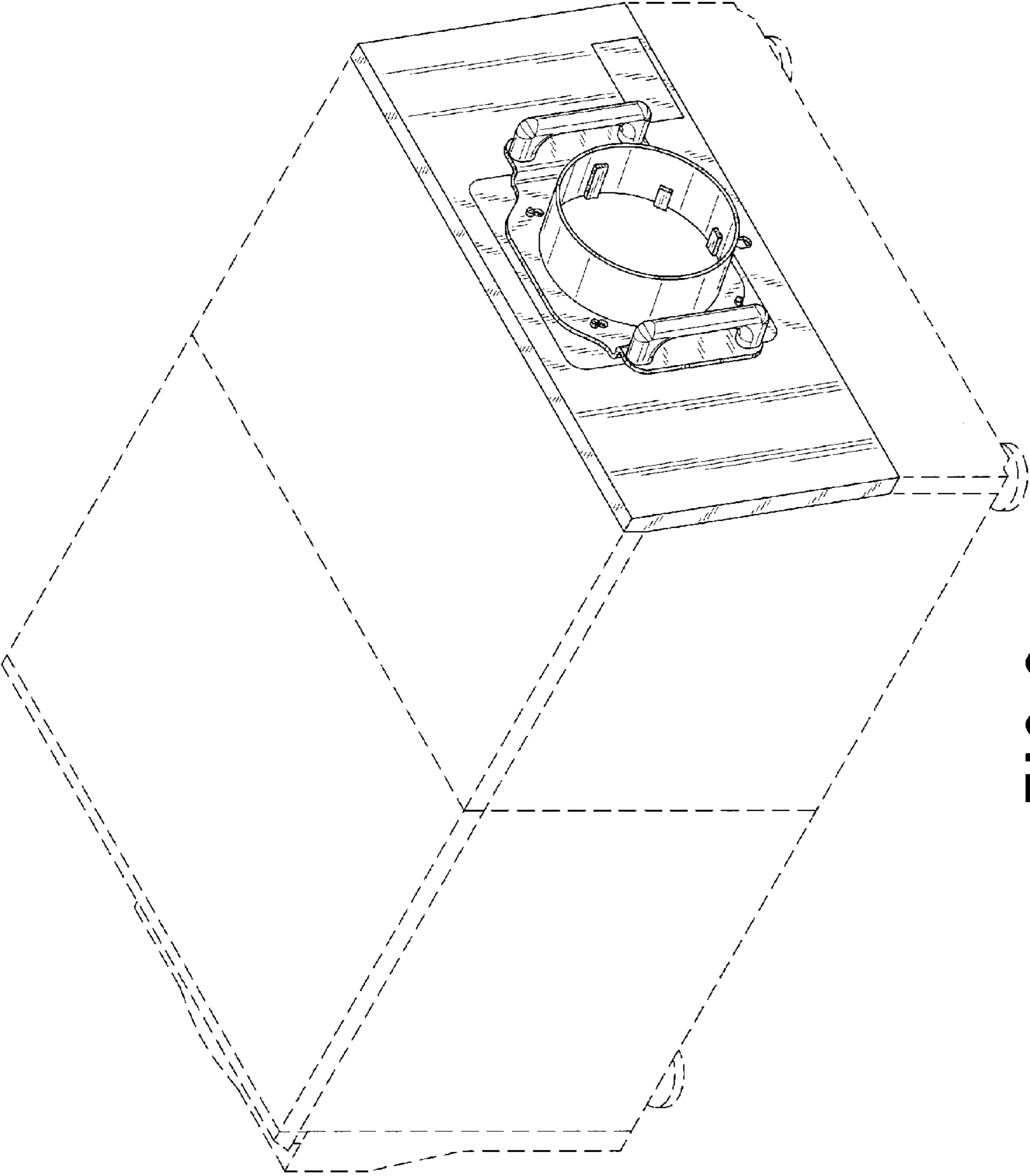


FIG. 8