



US00D601179S

(12) **United States Design Patent**
Tsuchiya et al.

(10) **Patent No.:** **US D601,179 S**
(45) **Date of Patent:** **** Sep. 29, 2009**

(54) **VIDEO CAMERA WITH HARD DISC RECORDER**

2007/0126925 A1* 6/2007 Masuda et al. 348/375

FOREIGN PATENT DOCUMENTS

(75) Inventors: **Hitoshi Tsuchiya**, Tokyo (JP); **Shuji Tanifuji**, Kanagawa (JP)

JP D1325516 2/2008

OTHER PUBLICATIONS

(73) Assignee: **Victor Company of Japan, Limited**, Kanagawa (JP)

Japanese Office Action for Japanese Design Application No. 2008-019597, mailed on Jan. 16, 2009 (3 pages).

(**) Term: **14 Years**

* cited by examiner

(21) Appl. No.: **29/312,658**

Primary Examiner—Adir Aronovich
(74) *Attorney, Agent, or Firm*—Osha • Liang LLP

(22) Filed: **Nov. 5, 2008**

(57) **CLAIM**

(30) **Foreign Application Priority Data**

Jul. 30, 2008 (JP) 2008-019597

The ornamental design for a video camera with hard disc recorder, as shown and described.

(51) **LOC (9) Cl.** **16-01**

DESCRIPTION

(52) **U.S. Cl.** **D16/202**

FIG. 1 is a perspective view of the front, right and top of a video camera with hard disc recorder showing our new design;

(58) **Field of Classification Search** D16/200–205, D16/208, 218; 348/373–376; 358/906; 396/535–541
See application file for complete search history.

FIG. 2 is a front elevational view thereof;

(56) **References Cited**

U.S. PATENT DOCUMENTS

- D521,041 S * 5/2006 Chung et al. D16/202
- D544,514 S * 6/2007 Tanifuji et al. D16/202
- D560,241 S * 1/2008 Chung D16/202
- D565,620 S * 4/2008 Masano D16/202
- D566,150 S * 4/2008 Sadatsuki D16/202
- D587,735 S * 3/2009 Narita et al. D16/202
- D590,862 S * 4/2009 Nishiwaki D16/202

FIG. 3 is a rear elevational view thereof;

FIG. 4 is a top plan view thereof;

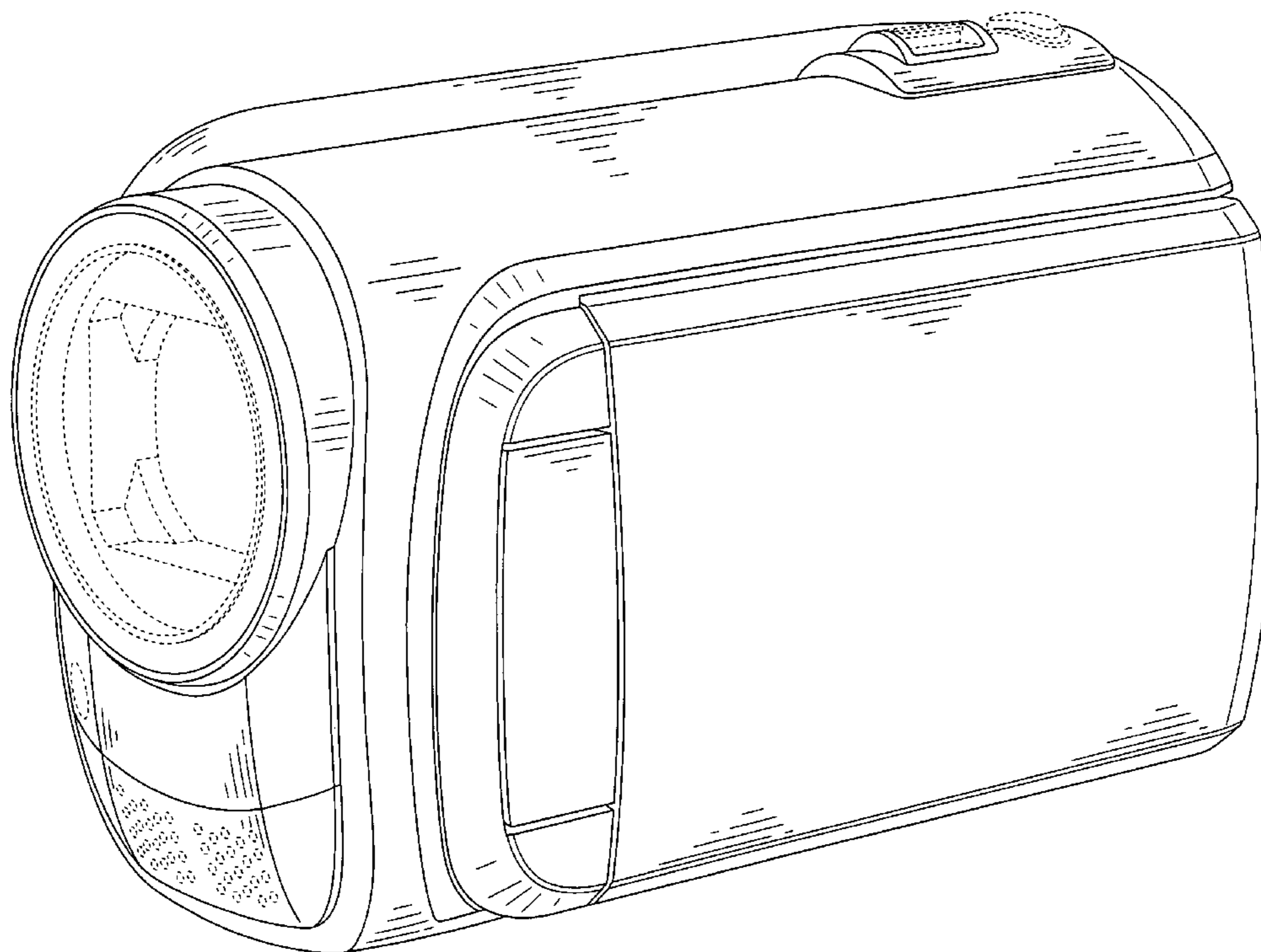
FIG. 5 is a bottom view thereof;

FIG. 6 is a left side elevational view thereof; and,

FIG. 7 is a right side elevational view thereof.

The elements shown in broken lines are for illustrative purposes only and form no part of the claimed design.

1 Claim, 6 Drawing Sheets



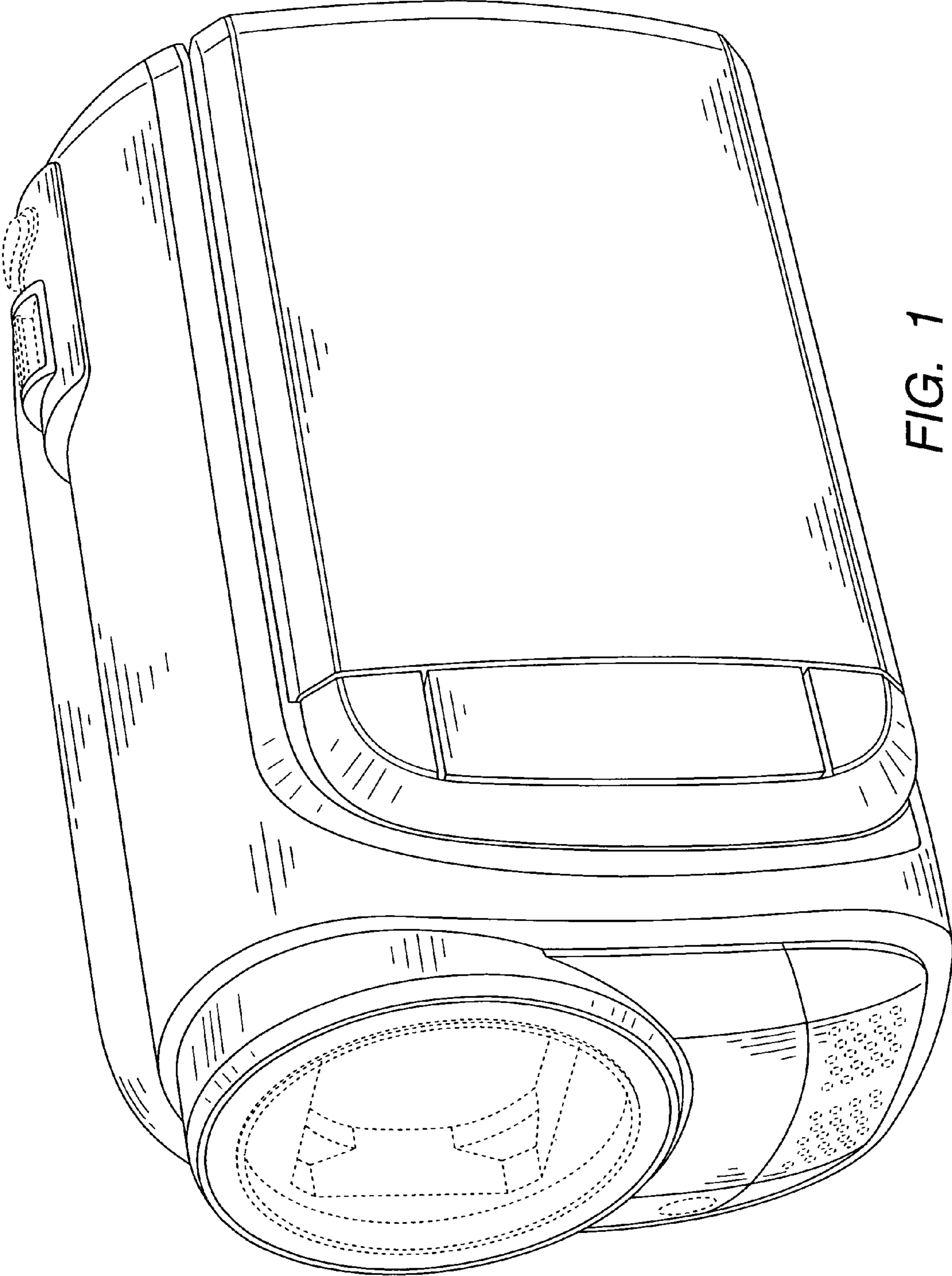


FIG. 1

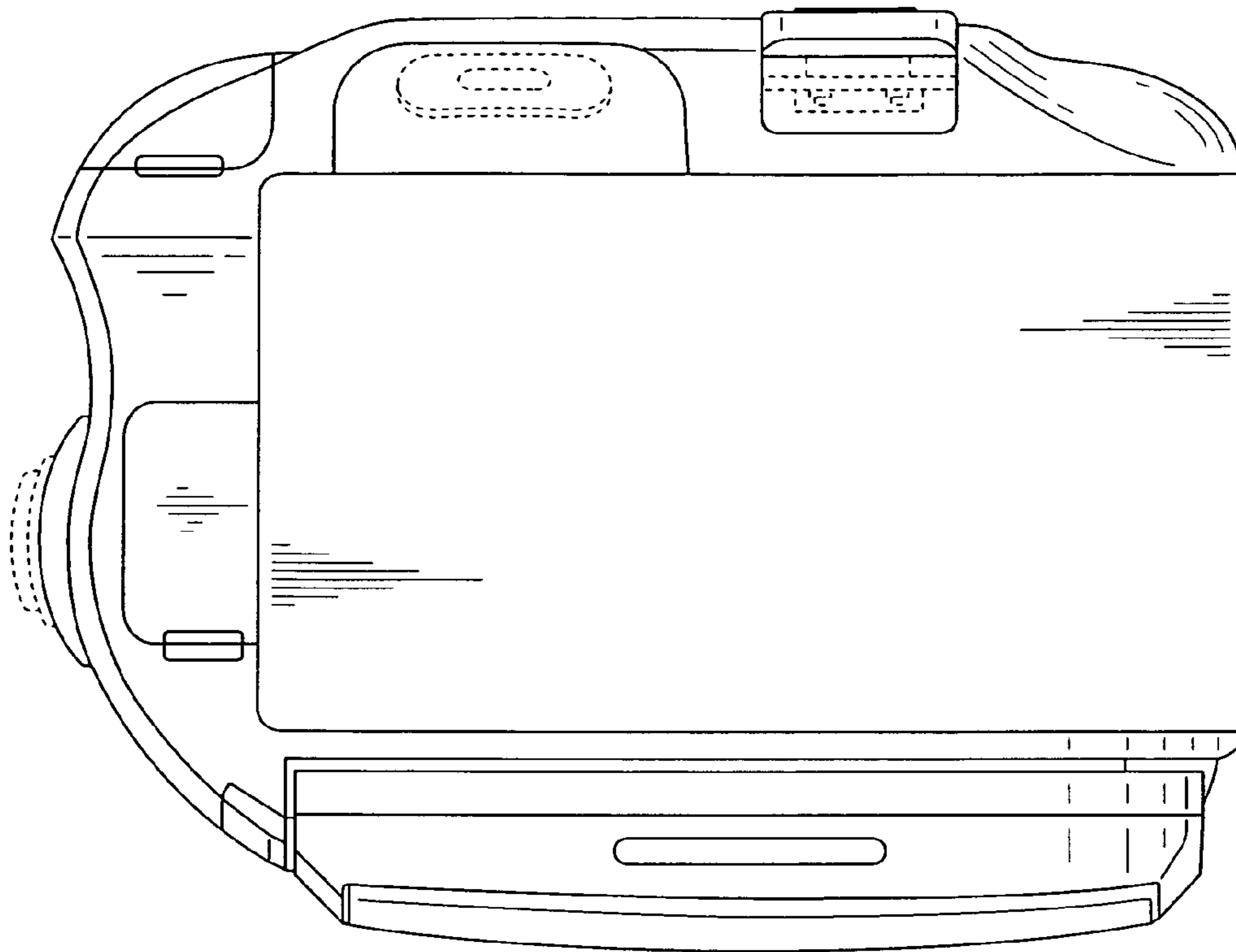


FIG. 2

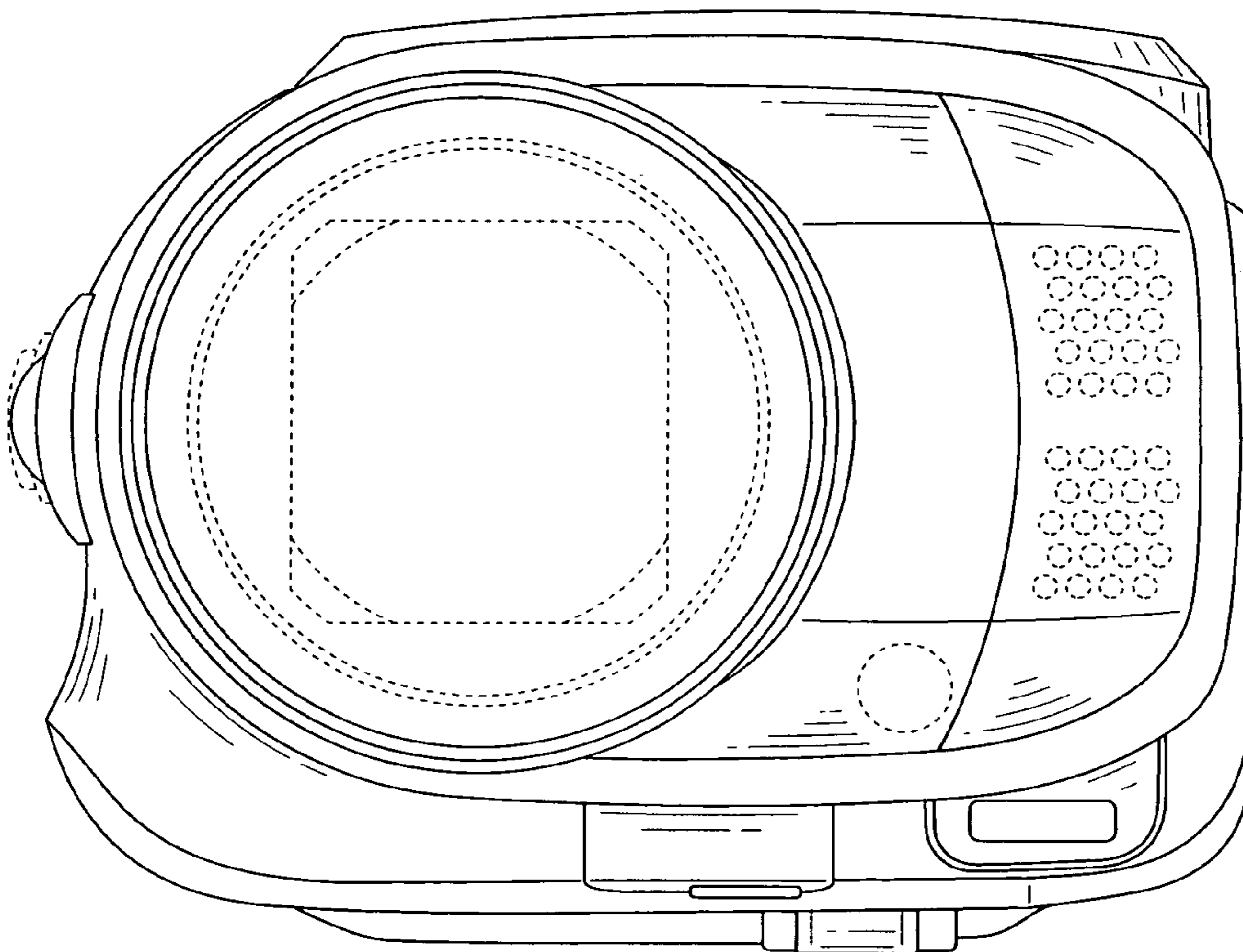


FIG. 3

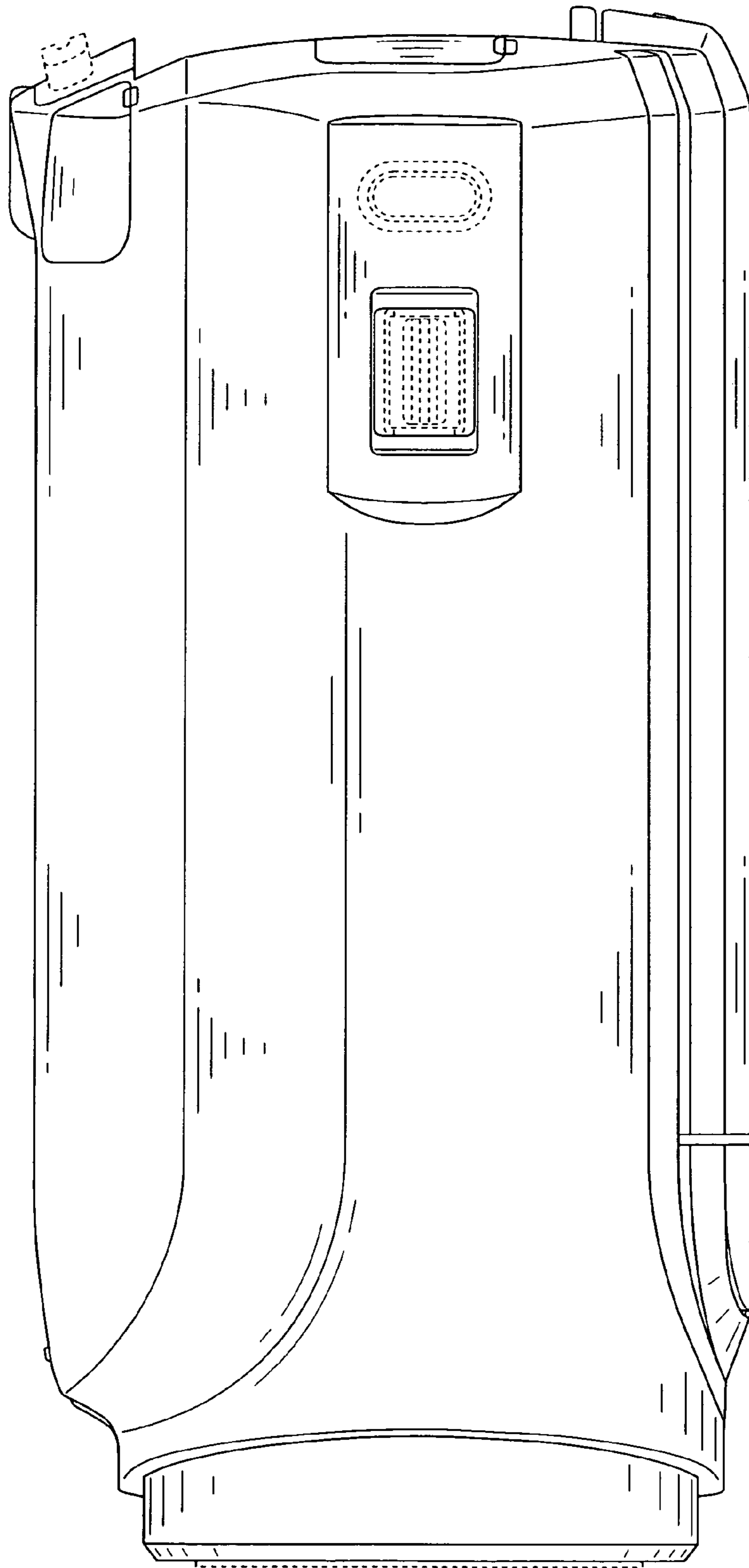


FIG. 4

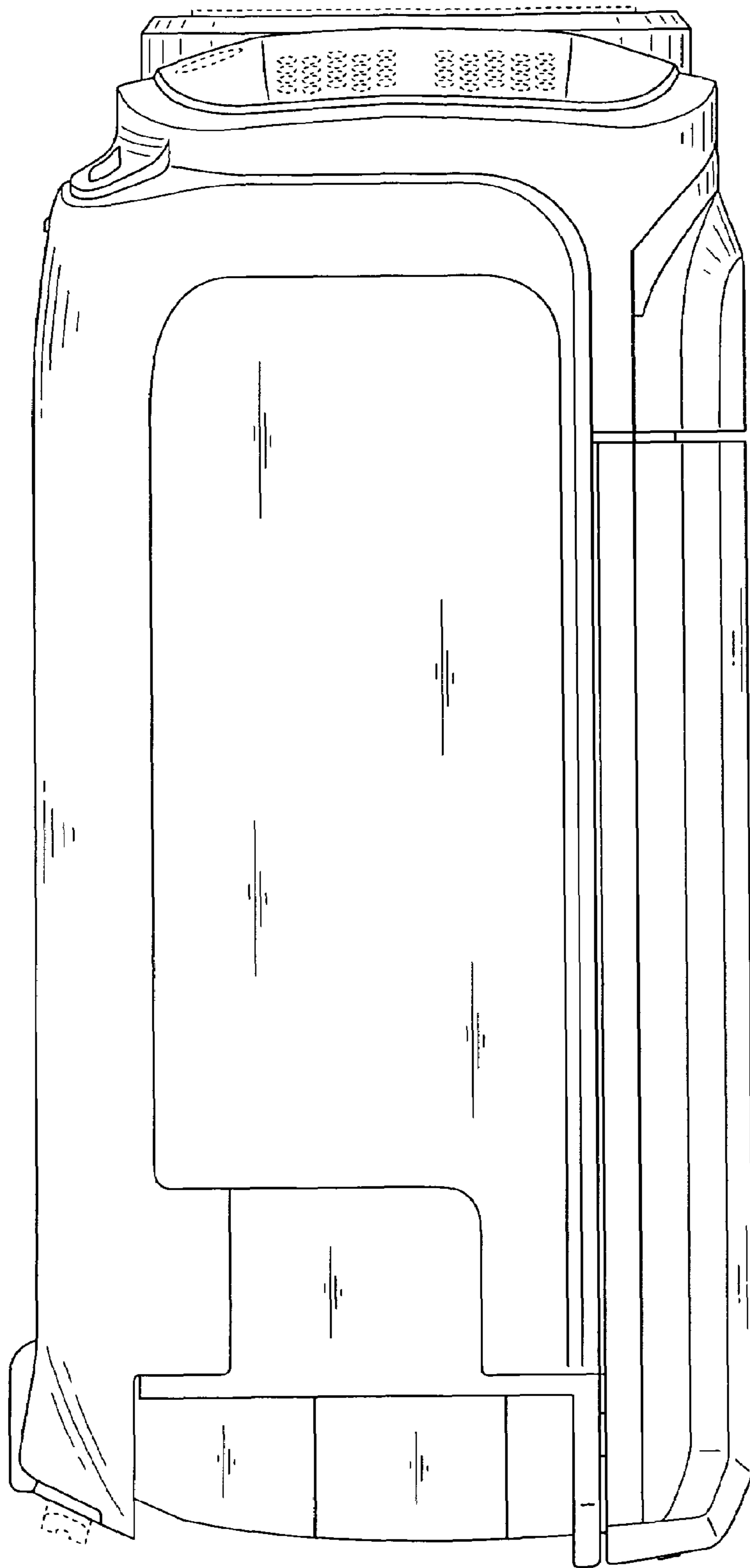


FIG. 5

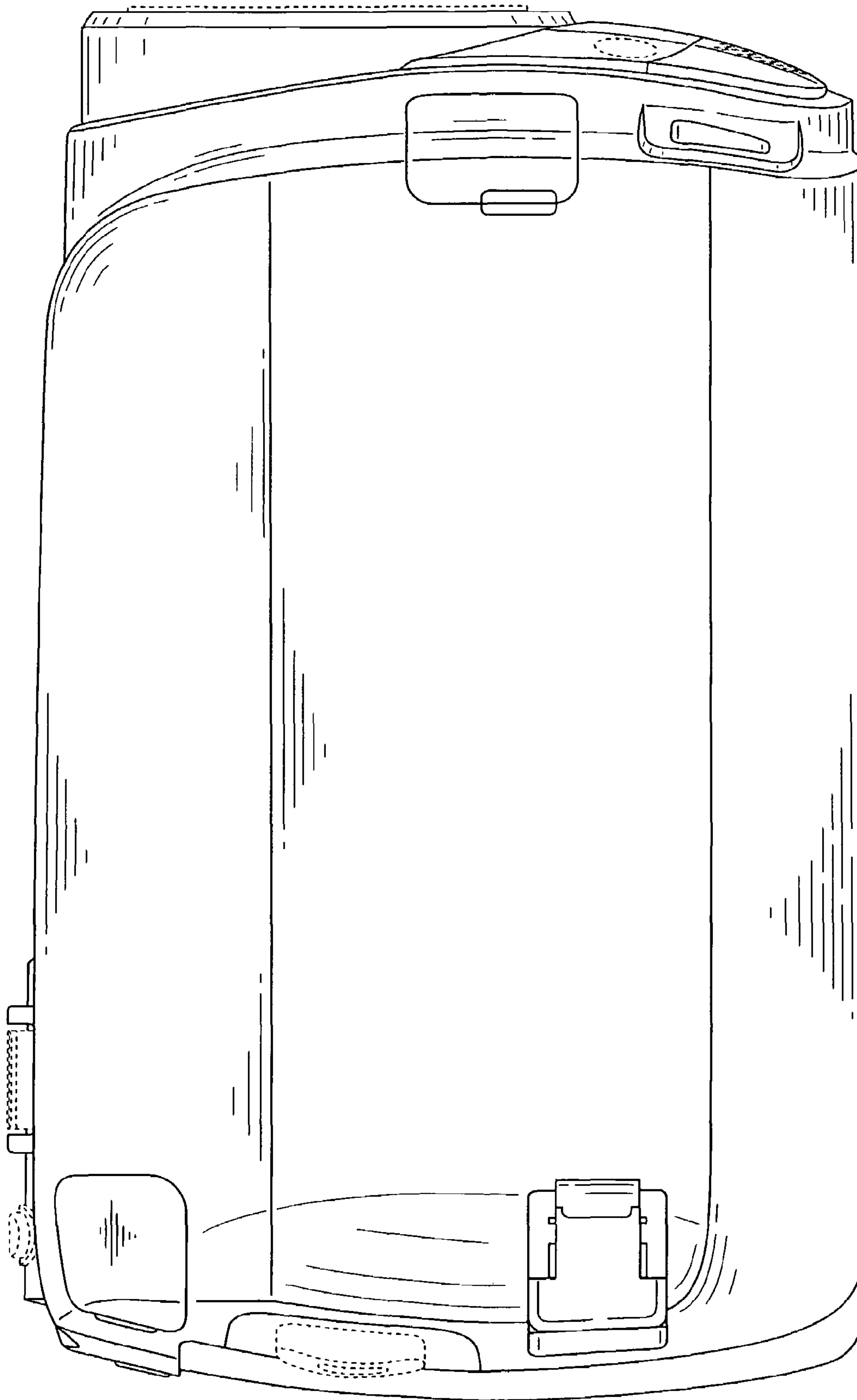


FIG. 6

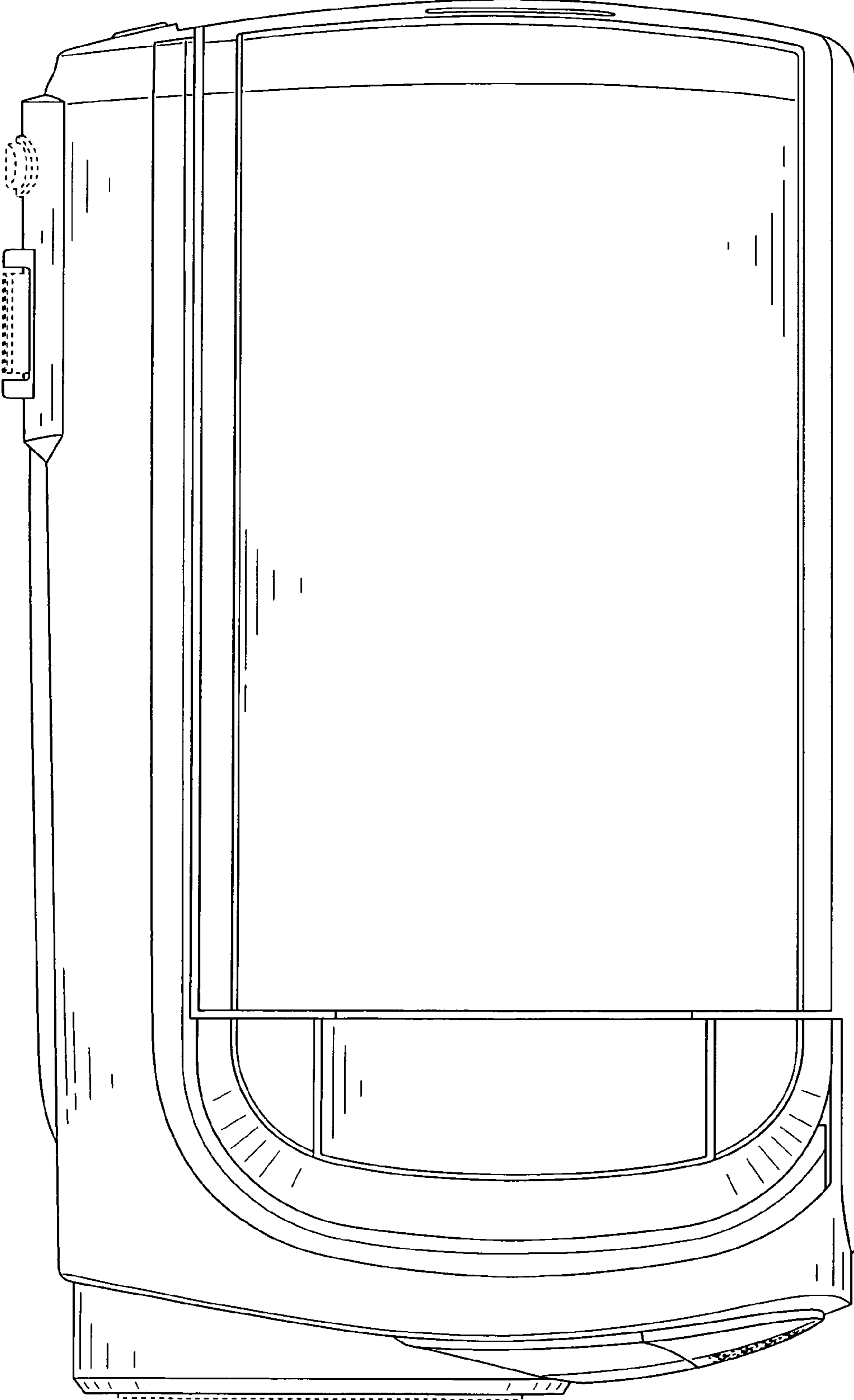


FIG. 7