



US00D601178S

(12) **United States Design Patent**
Apothéloz

(10) **Patent No.:** **US D601,178 S**

(45) **Date of Patent:** **** Sep. 29, 2009**

(54) **MICROSCOPE**

(75) **Inventor:** **Christophe Apothéloz, Zurich (CH)**

(73) **Assignee:** **Leica Microsystems (Schweiz) AG, Heerbrugg (CH)**

(**) **Term:** **14 Years**

(21) **Appl. No.:** **29/309,778**

(22) **Filed:** **Oct. 8, 2008**

(30) **Foreign Application Priority Data**

Apr. 11, 2008 (DE) 40 2008 001 824

(51) **LOC (9) Cl.** **16-06**

(52) **U.S. Cl.** **D16/131**

(58) **Field of Classification Search** D16/130, D16/131, 221; 359/368, 369, 376, 377, 378, 359/379, 380, 381, 382, 383, 384, 385, 388, 359/394, 398, 366, 821, 574, 619, 707; D21/483
See application file for complete search history.

(56) **References Cited**

U.S. PATENT DOCUMENTS

407,192	A *	7/1889	Frost	359/394
D179,280	S *	11/1956	Boughton	D16/221
3,637,283	A *	1/1972	Tasaki et al.	359/376
D229,581	S *	12/1973	Armbruster et al.	D16/131
3,826,559	A *	7/1974	Berliner et al.	359/392
D273,592	S *	4/1984	Armbruster	D16/131
D276,351	S *	11/1984	Janke et al.	D16/131
5,000,555	A *	3/1991	Sato	359/392
D355,430	S *	2/1995	Hofmann-Igl	D16/131
5,585,964	A *	12/1996	Schalz	359/368
6,137,628	A *	10/2000	Kraft et al.	359/394
6,147,797	A *	11/2000	Lee	359/363
D439,258	S *	3/2001	Kawahata	D16/131

D440,996	S *	4/2001	Takanashi	D16/131
6,337,766	B1 *	1/2002	Fujino	359/383
6,339,498	B1 *	1/2002	Nishida et al.	359/361
D459,744	S *	7/2002	Apotheloz	D16/131
D460,096	S *	7/2002	Apotheloz	D16/131
D461,201	S *	8/2002	Apotheloz	D16/131
D477,008	S *	7/2003	Asaka et al.	D16/131
6,781,630	B2 *	8/2004	Nomura et al.	348/335
6,813,071	B2 *	11/2004	Takahama	359/381
D523,046	S *	6/2006	Suzuki et al.	D16/131
7,133,199	B2 *	11/2006	Hayashi	359/385
D546,355	S *	7/2007	Apotheloz	D16/131
D546,356	S *	7/2007	Apotheloz	D16/131
D556,800	S *	12/2007	Yanagisawa	D16/131
D577,047	S *	9/2008	Apotheloz	D16/131

* cited by examiner

Primary Examiner—Paula Greene

(74) *Attorney, Agent, or Firm*—Crowell & Moring LLP

(57) **CLAIM**

The ornamental design for a microscope, as shown and described.

DESCRIPTION

FIG. 1 is a right, rear perspective view of a microscope showing my new design, undisclosed portions are not part of the claimed design;

FIG. 2 is a left side view thereof;

FIG. 3 is a right side view thereof;

FIG. 4 is a rear view thereof;

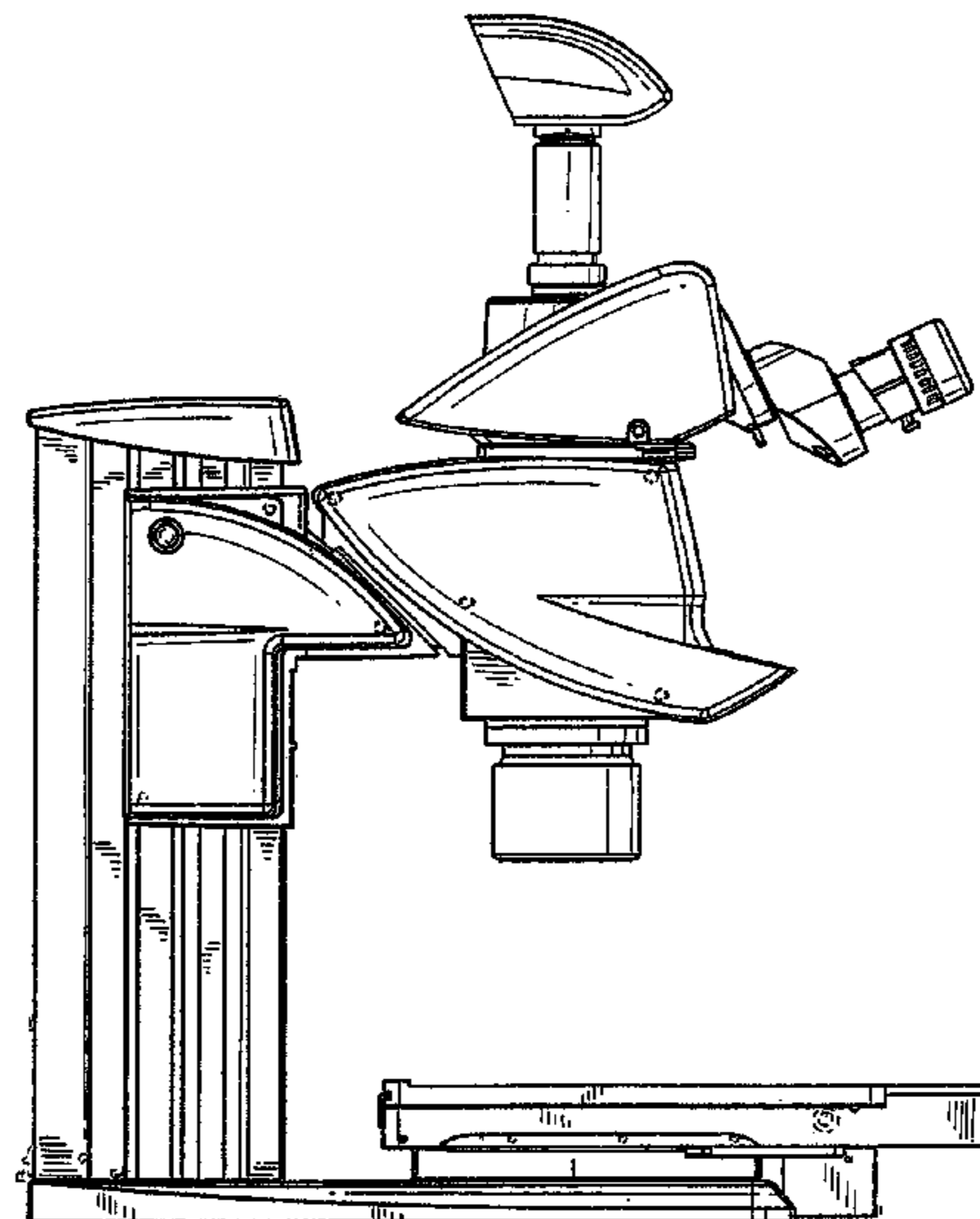
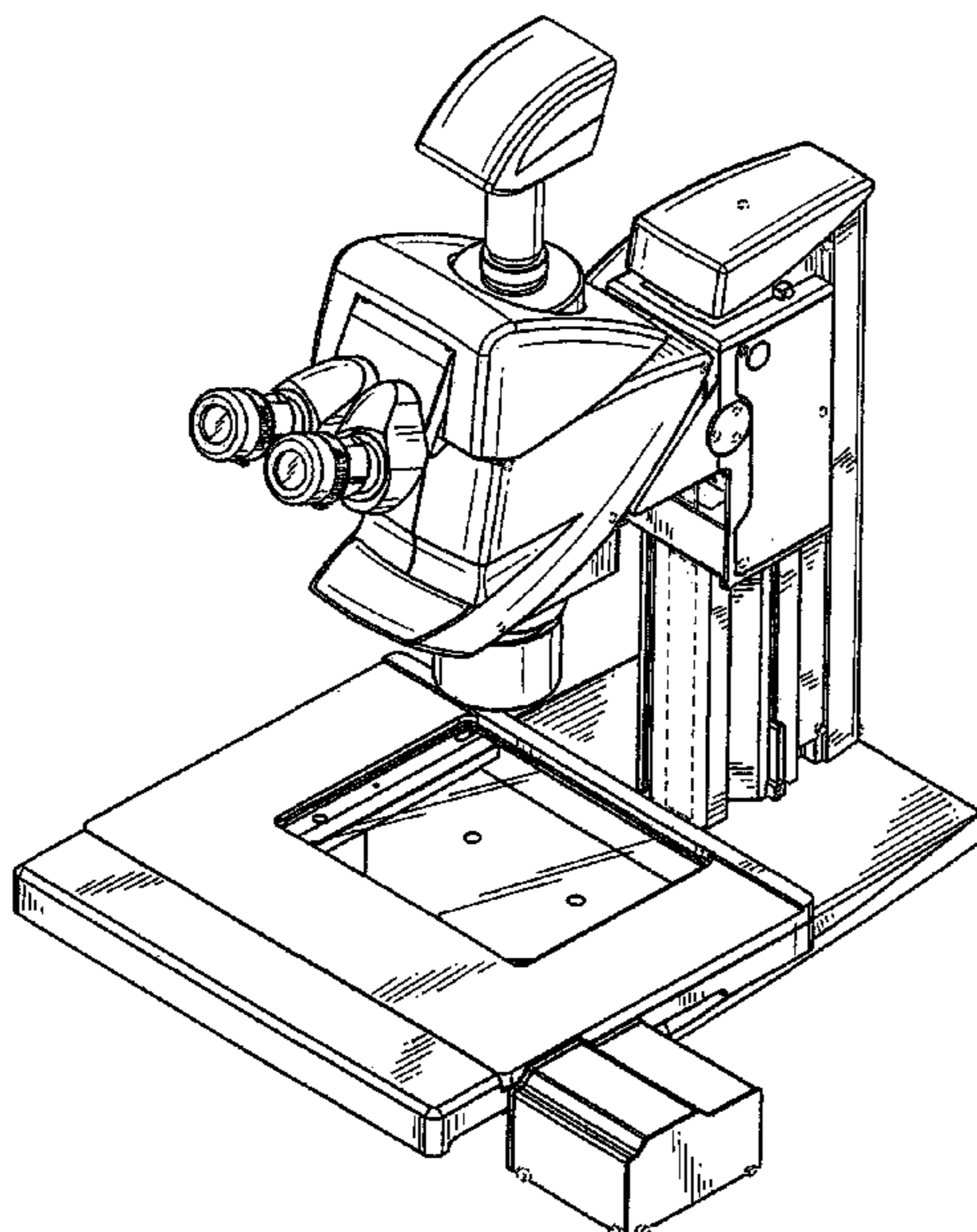
FIG. 5 is a front view thereof;

FIG. 6 is a top view thereof; and,

FIG. 7 is a bottom view thereof.

The broken lines form no part of the claimed design.

1 Claim, 7 Drawing Sheets



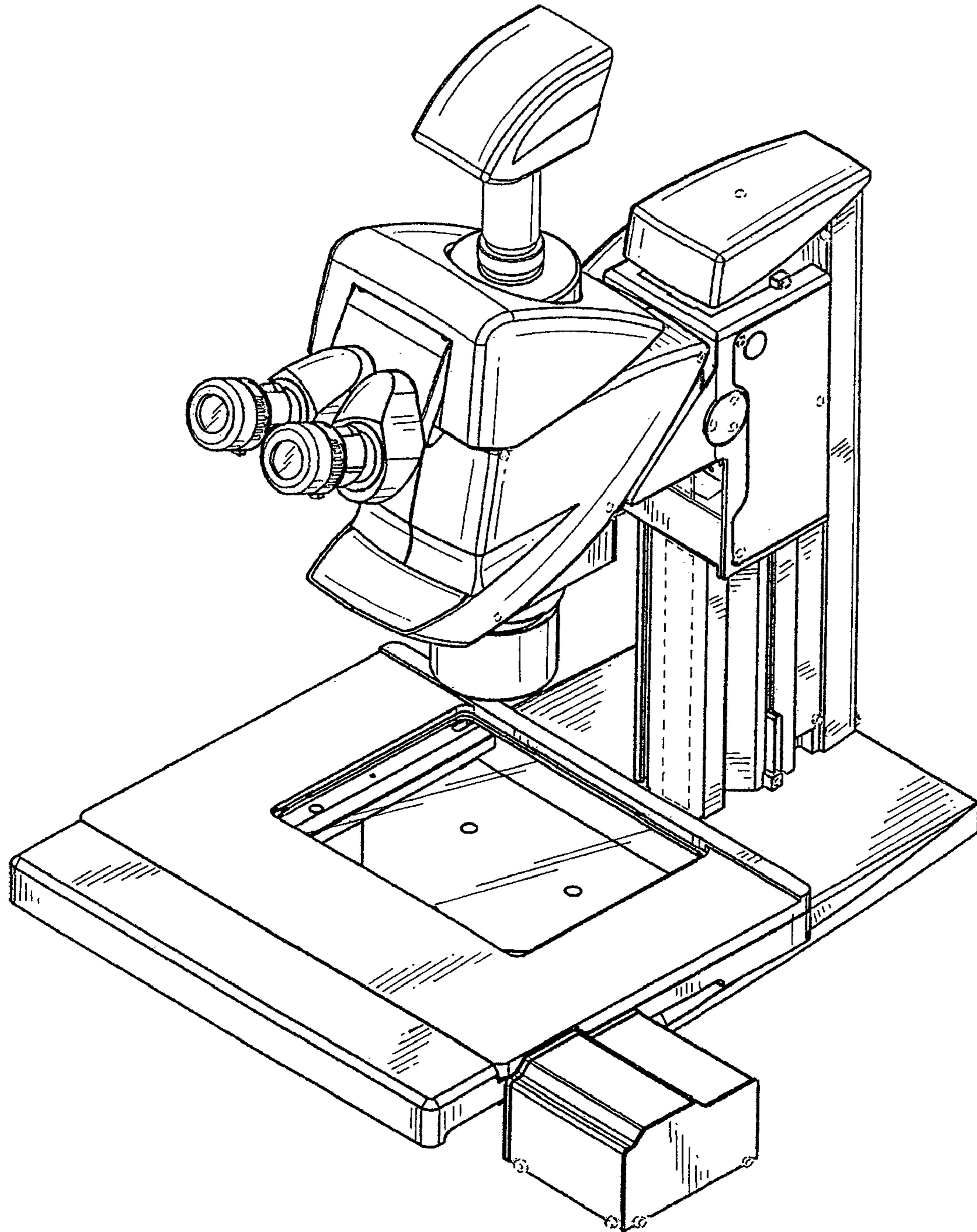


FIG. 1

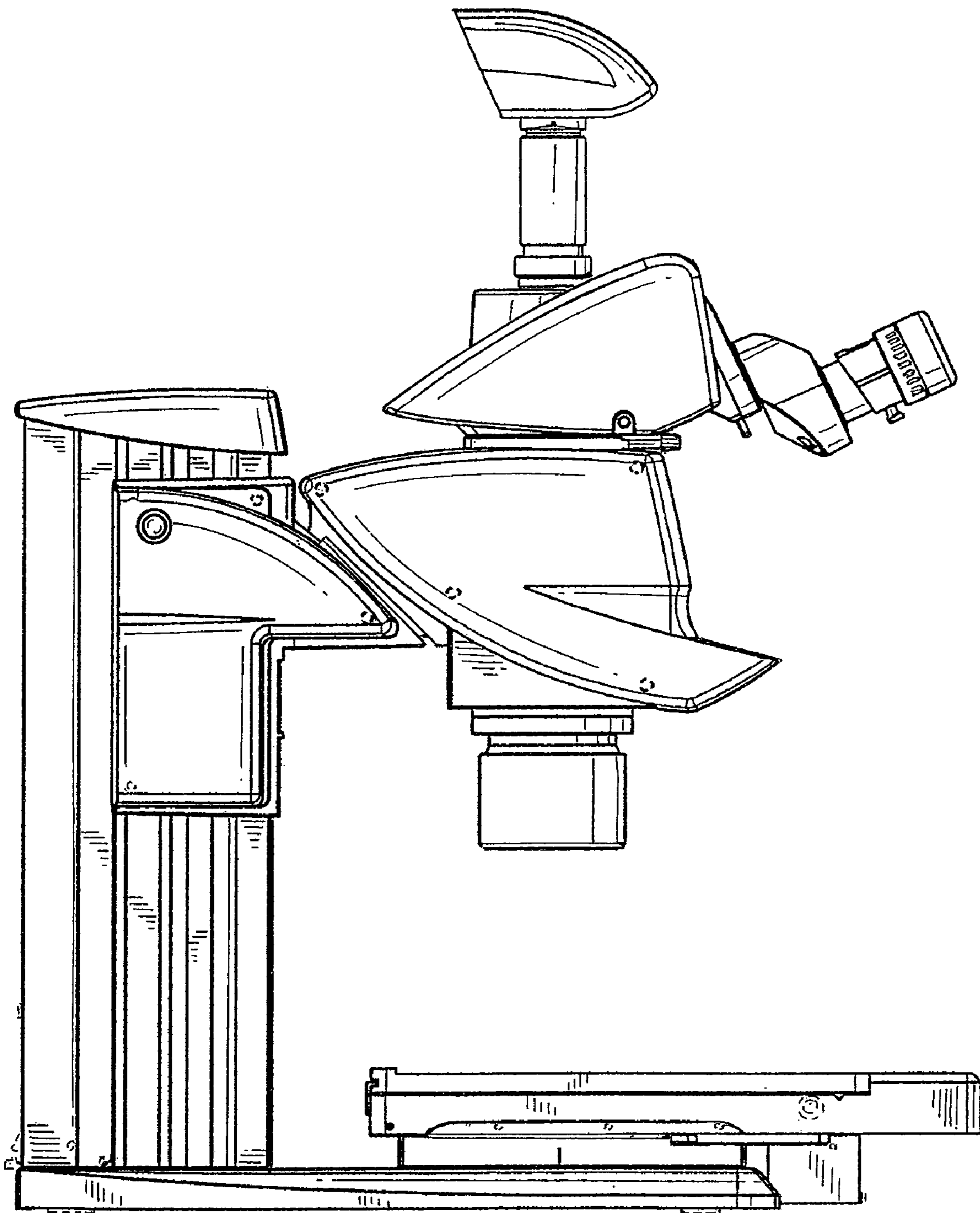


FIG. 2

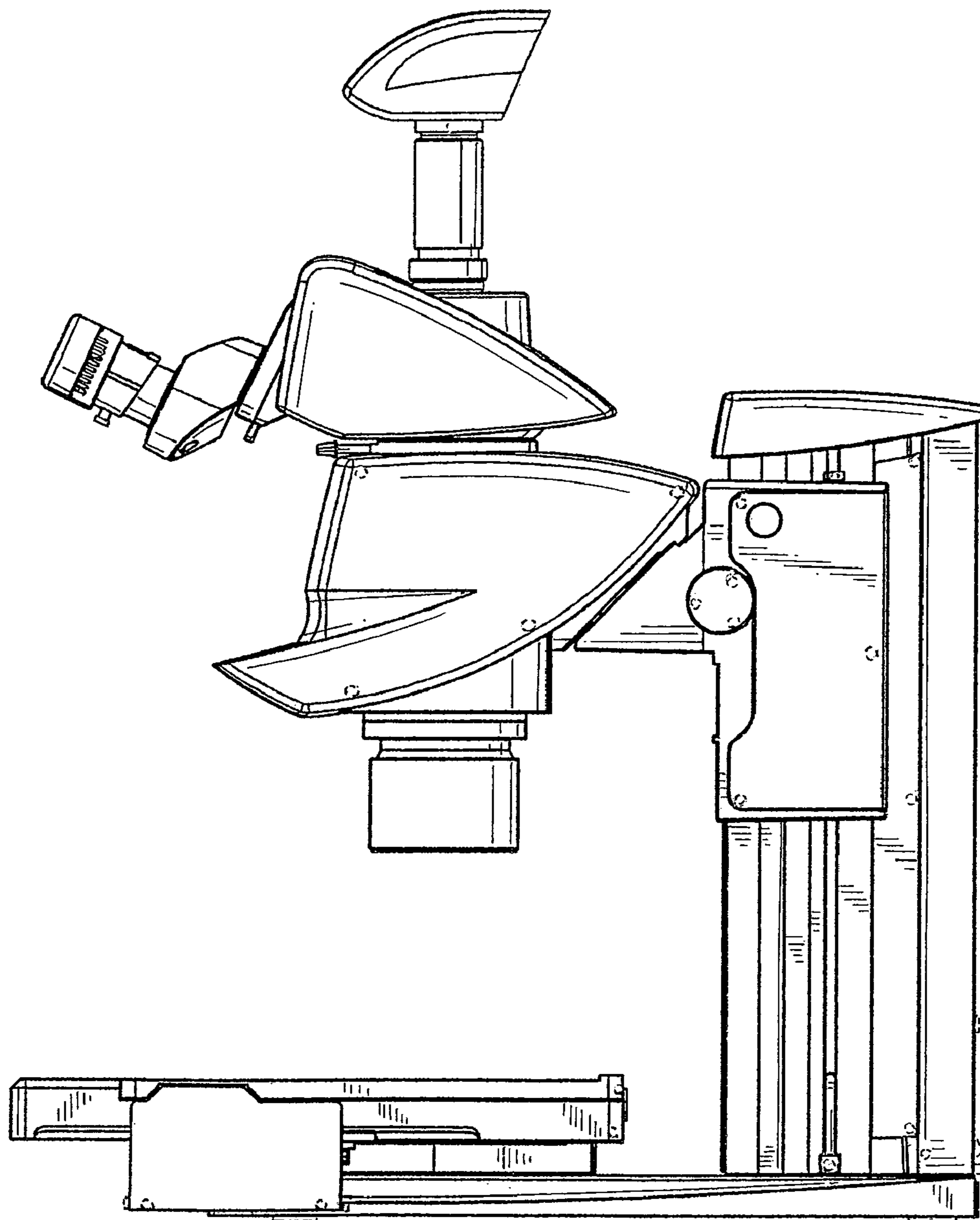


FIG. 3

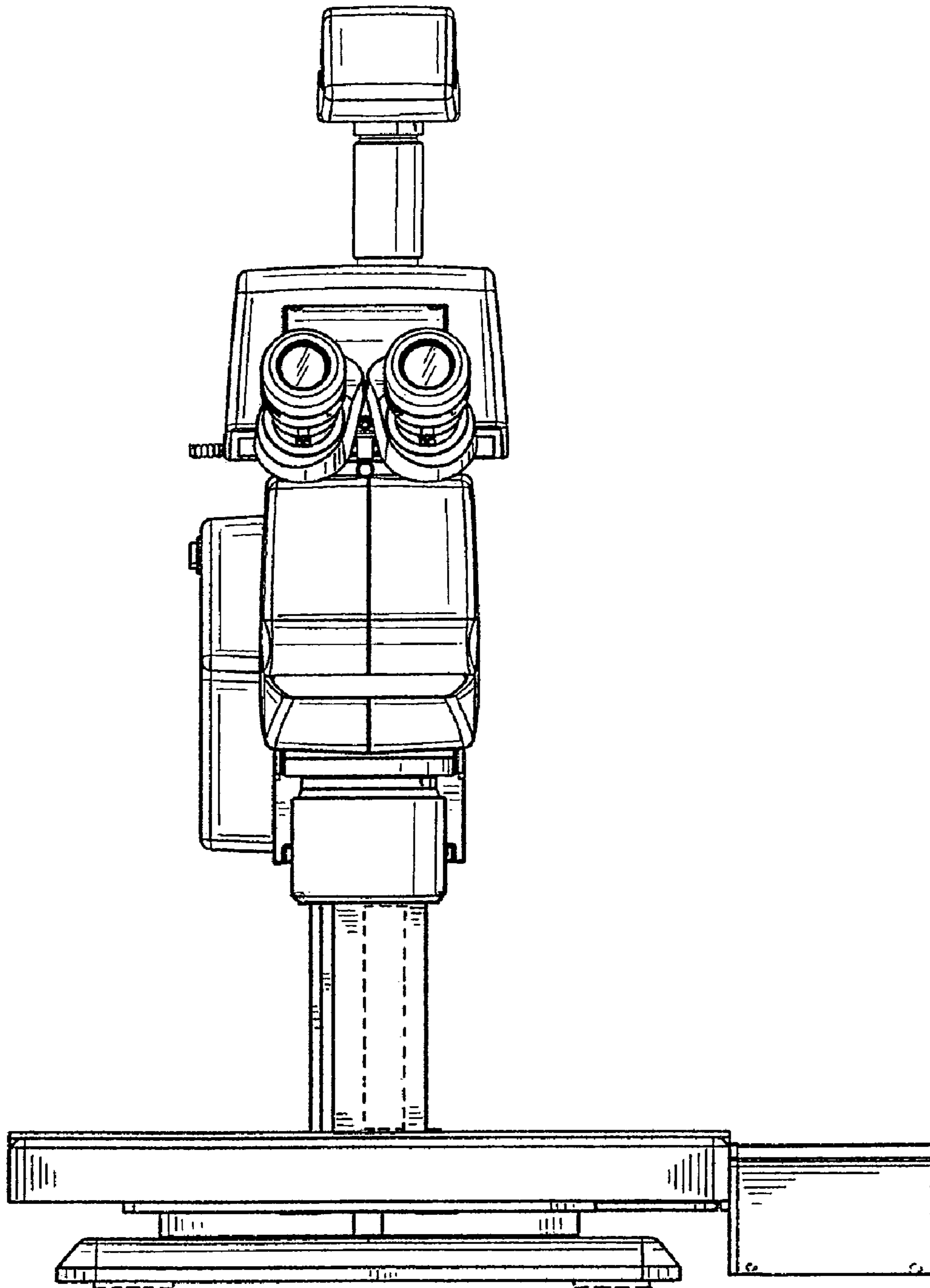


FIG. 4

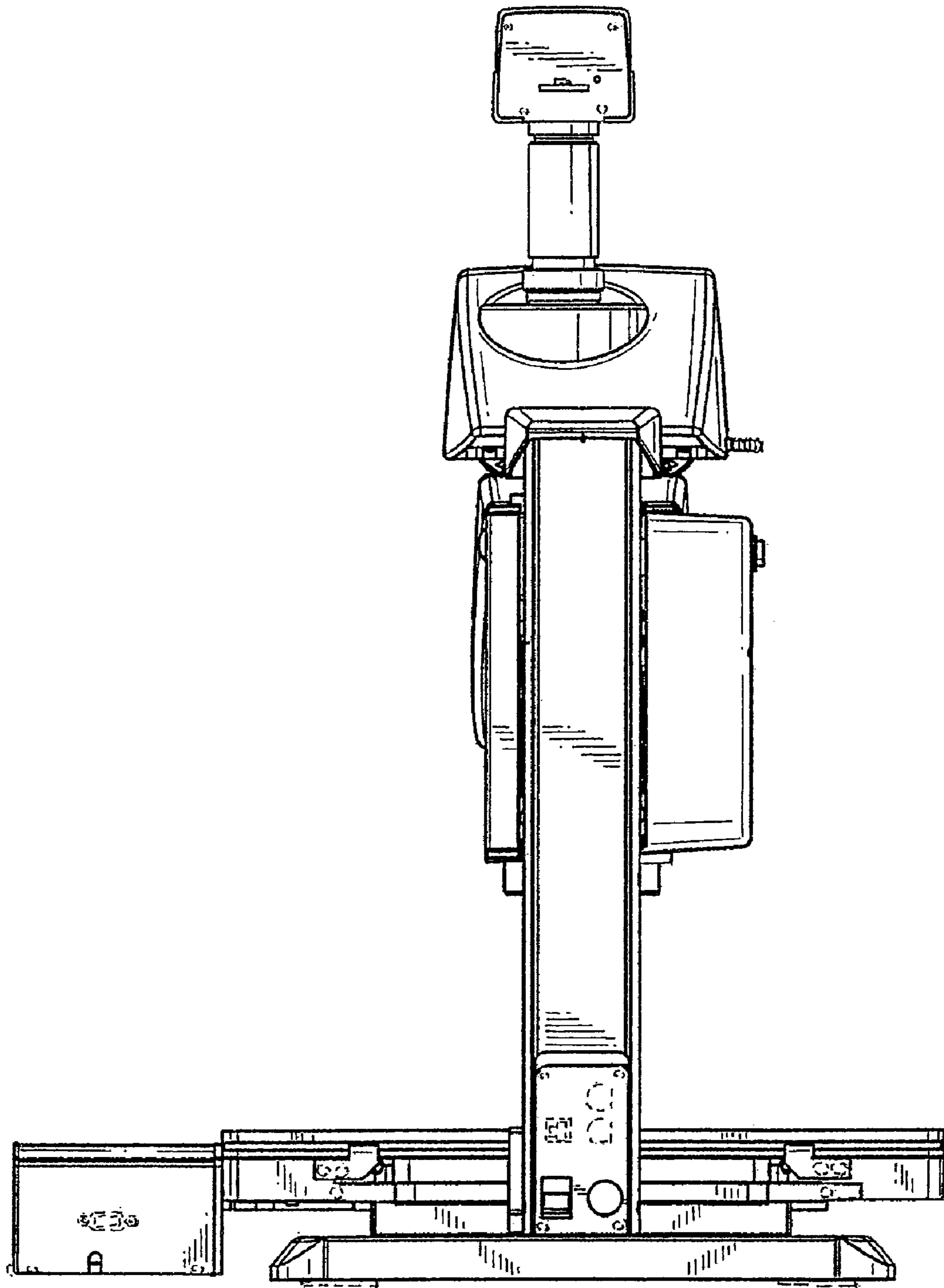


FIG. 5

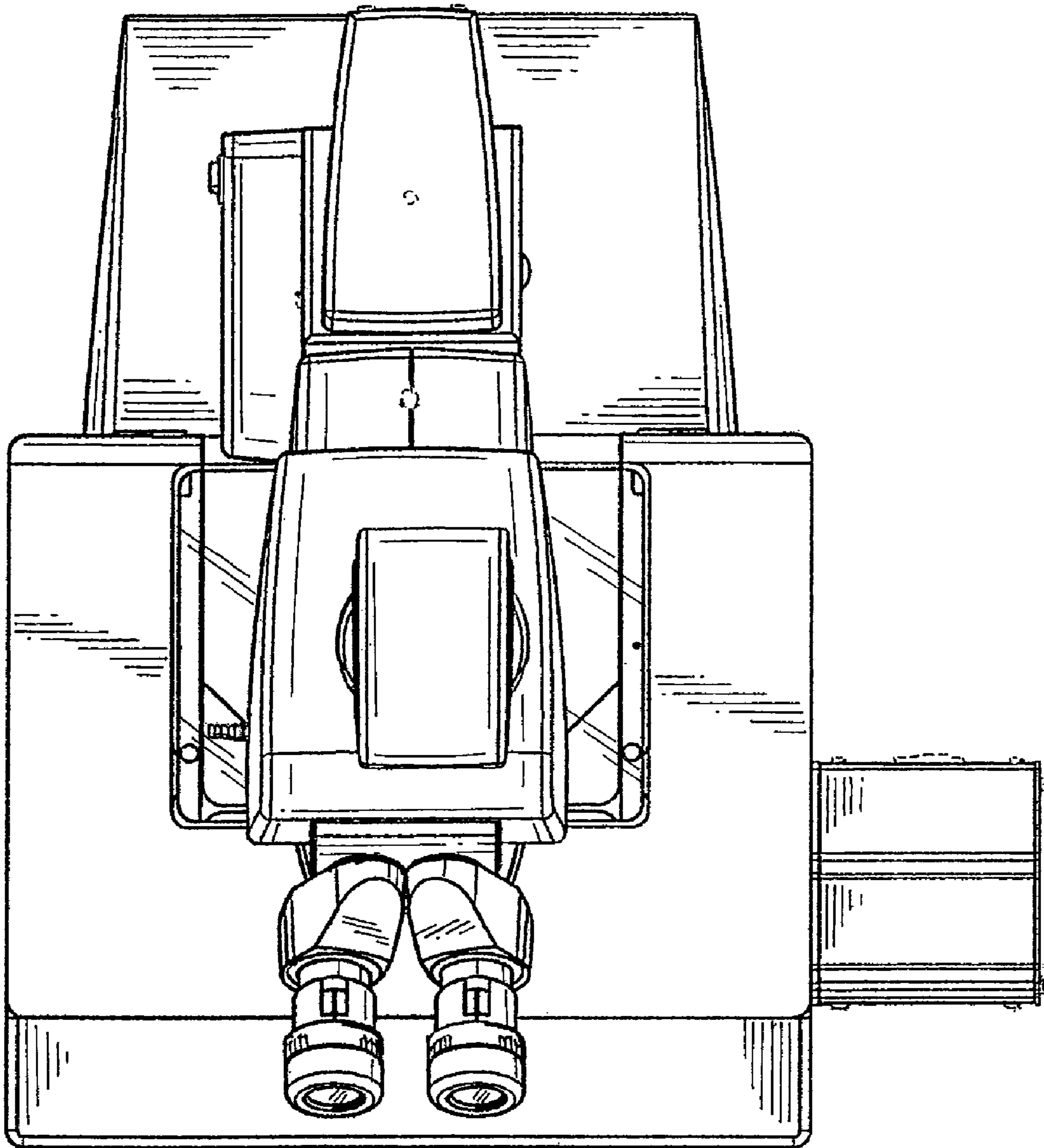


FIG. 6

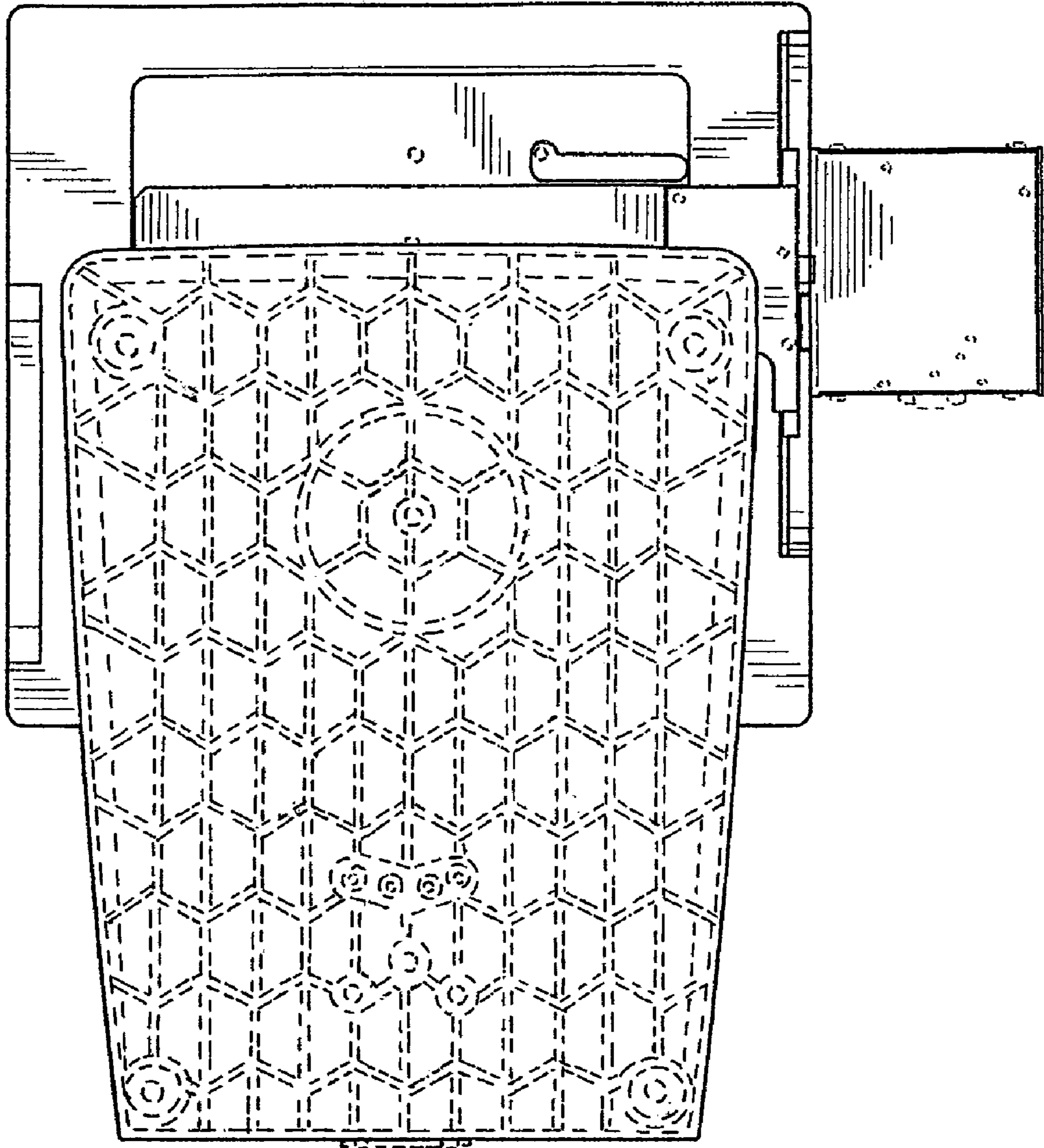


FIG. 7