



US00D601177S

(12) **United States Design Patent**  
**Rosso et al.**

(10) **Patent No.:** **US D601,177 S**

(45) **Date of Patent:** **\*\* Sep. 29, 2009**

(54) **TRAY FOR PAPER BEADING APPARATUS**

(75) Inventors: **Aaron Charles Rosso**, Chicago, IL (US); **Matthew Earle Myers**, Naperville, IL (US); **Amar Arvind Patel**, South Barrington, IL (US); **Joseph Z. Wascow**, Mundelein, IL (US); **Stephen M. Oshgan**, Des Plaines, IL (US); **Brian A. Retzke**, Downers Grove, IL (US); **Scott Fong**, Causeway Bay (HK)

(73) Assignee: **United States Gypsum Company**, Chicago, IL (US)

(\*\*) Term: **14 Years**

(21) Appl. No.: **29/304,084**

(22) Filed: **Feb. 25, 2008**

(51) **LOC (9) Cl.** ..... **15-09**

(52) **U.S. Cl.** ..... **D15/138**

(58) **Field of Classification Search** ..... D8/14;  
D15/135, 136, 137, 138; D25/119, 121,  
D25/136; 118/404, 405, 415, 427, 429, DIG. 2;  
425/87, 113, 458

See application file for complete search history.

(56) **References Cited**

**U.S. PATENT DOCUMENTS**

1,935,060	A	11/1933	Perkins	
D173,833	S *	1/1955	Brinson	D25/121
2,843,953	A *	7/1958	McCanless	40/591
2,957,449	A	10/1960	Carmichael	
D253,278	S *	10/1979	Ziaylek, Jr.	D8/373
D260,039	S *	7/1981	de Ruitter	D25/121
4,757,783	A	7/1988	Matheny	
D330,772	S *	11/1992	Nelson	D25/119
5,169,449	A *	12/1992	Raught	118/404
D338,535	S *	8/1993	Robertson	D25/119
5,242,495	A	9/1993	Hammond et al.	
D347,451	S *	5/1994	Kazakowitz	D21/392
D351,988	S *	11/1994	Gotcher	D8/403

5,421,886	A	6/1995	Poole et al.	
5,498,287	A	3/1996	Barnfield	
D374,582	S *	10/1996	Chu	D6/513
5,676,793	A	10/1997	Martin et al.	
5,800,894	A *	9/1998	Navis	428/41.7
D400,219	S *	10/1998	Mercier	D15/145
D407,831	S *	4/1999	Gifford	D25/136
6,716,486	B2	4/2004	Kormos	
6,907,908	B1	6/2005	Weldy	
7,137,231	B2 *	11/2006	Harel	52/746.1
7,214,434	B2 *	5/2007	Dalgleish et al.	428/537.5
D556,976	S *	12/2007	Liataud et al.	D17/21
D571,133	S *	6/2008	Liss et al.	D6/511
2003/0089058	A1 *	5/2003	Kunz et al.	52/255
2006/0108207	A1 *	5/2006	Duncan et al.	198/842
2007/0261334	A1	11/2007	Conboy	
2007/0277475	A1	12/2007	Smythe	

**OTHER PUBLICATIONS**

All-Wall Your Drywall Tools Superstore, 2007-2008 Edition, Catalog Code CAT300C, pp. 56, 57, Kirkland, WA.  
Structus Building Technologies product brochure, two pages, 2006.

\* cited by examiner

*Primary Examiner*—Sandra Snapp

*Assistant Examiner*—Patricia Palasik

(74) *Attorney, Agent, or Firm*—Greer, Burns & Crain, Ltd.; David F. Janci, Esq.; Pradip Sahu, Esq.

(57) **CLAIM**

The ornamental design for a tray for paper beading apparatus, as shown and described.

**DESCRIPTION**

FIG. 1 is a top perspective view of the present tray;

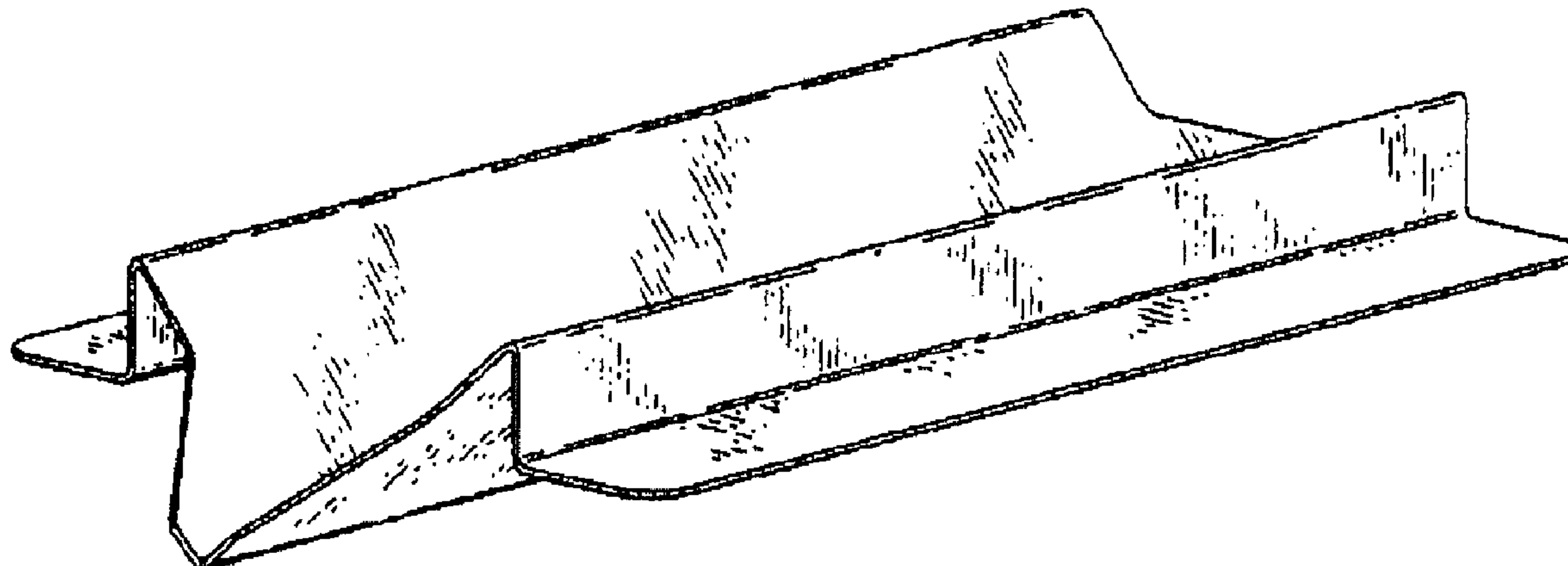
FIG. 2 is a right side view, the left side view being identical, of the same;

FIG. 3 is a front view, the rear view being identical, of the tray of FIG. 1;

FIG. 4 is a top view of the tray of FIG. 1; and,

FIG. 5 is a bottom view of the same.

**1 Claim, 2 Drawing Sheets**



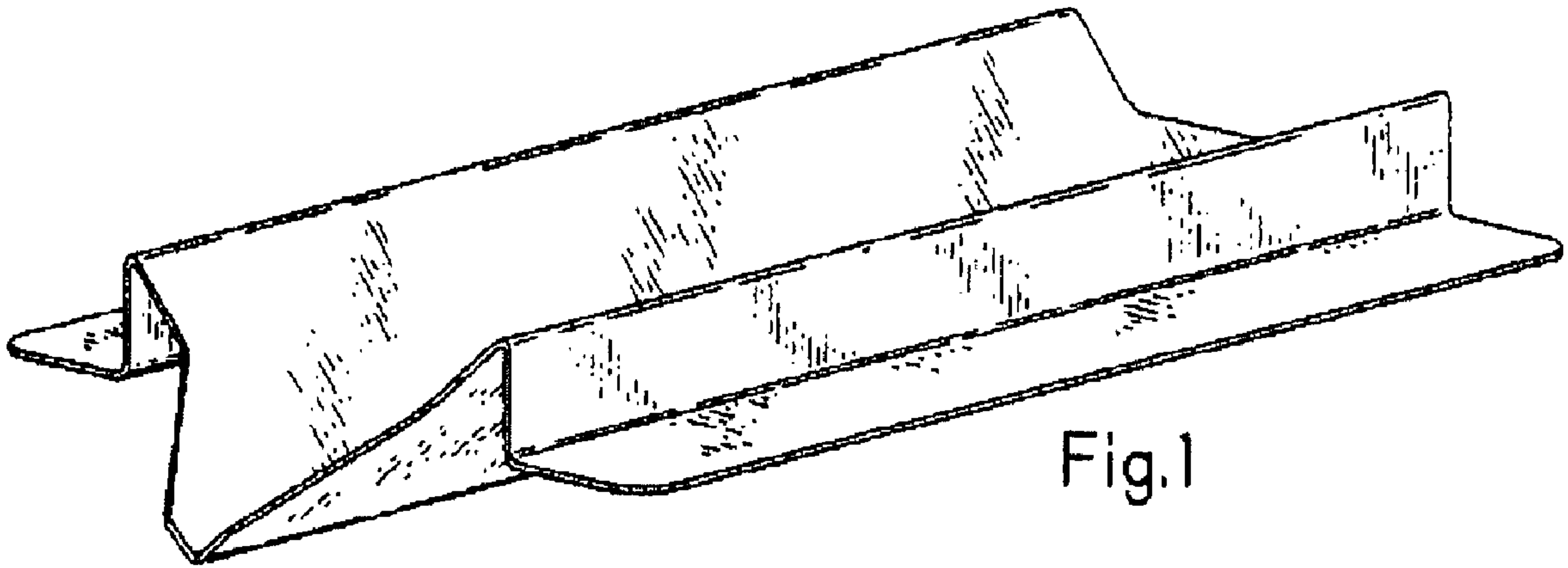


Fig.1

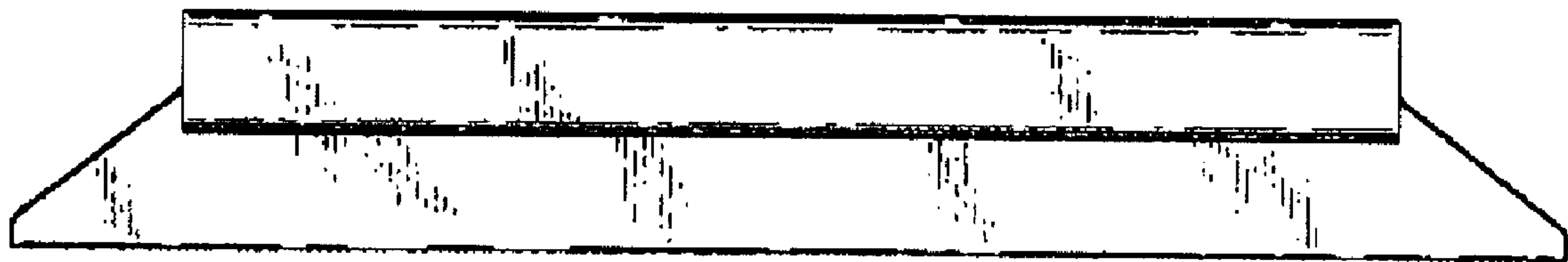


Fig.2

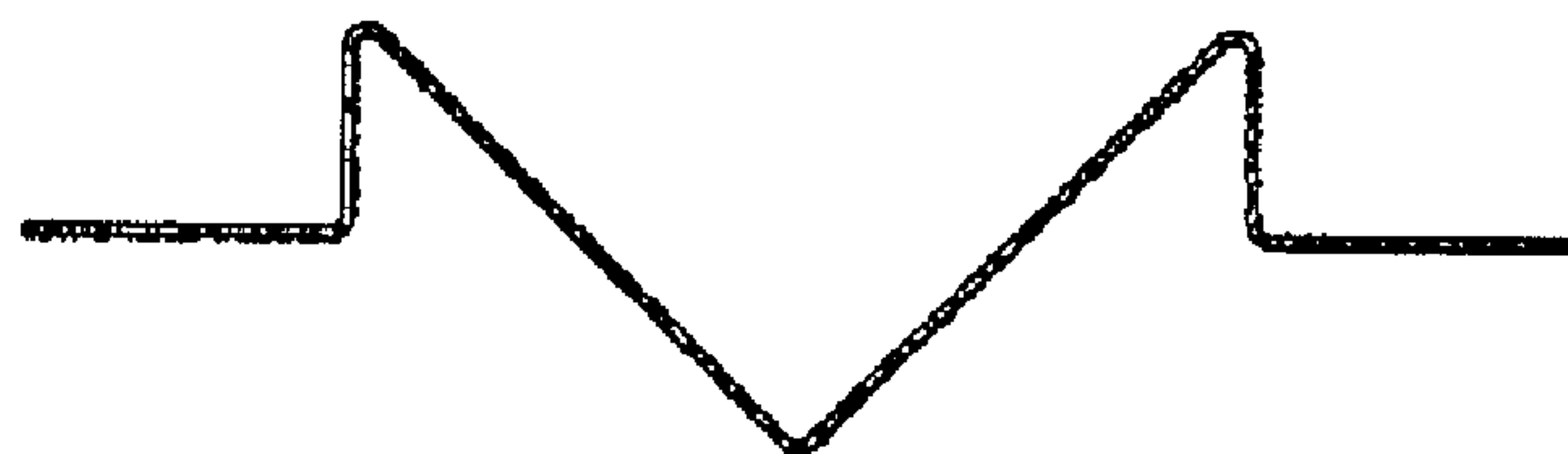


Fig.3

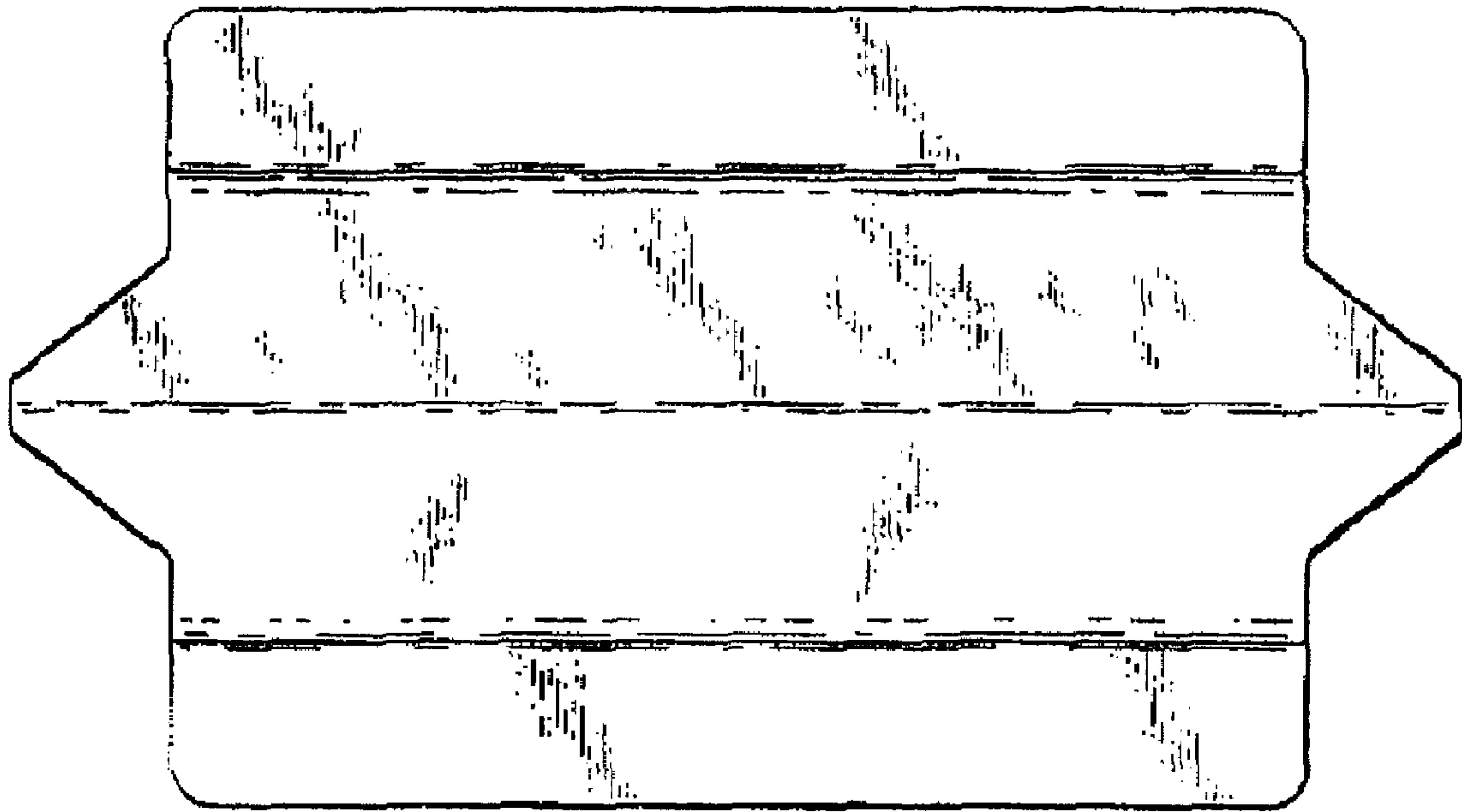


Fig. 4

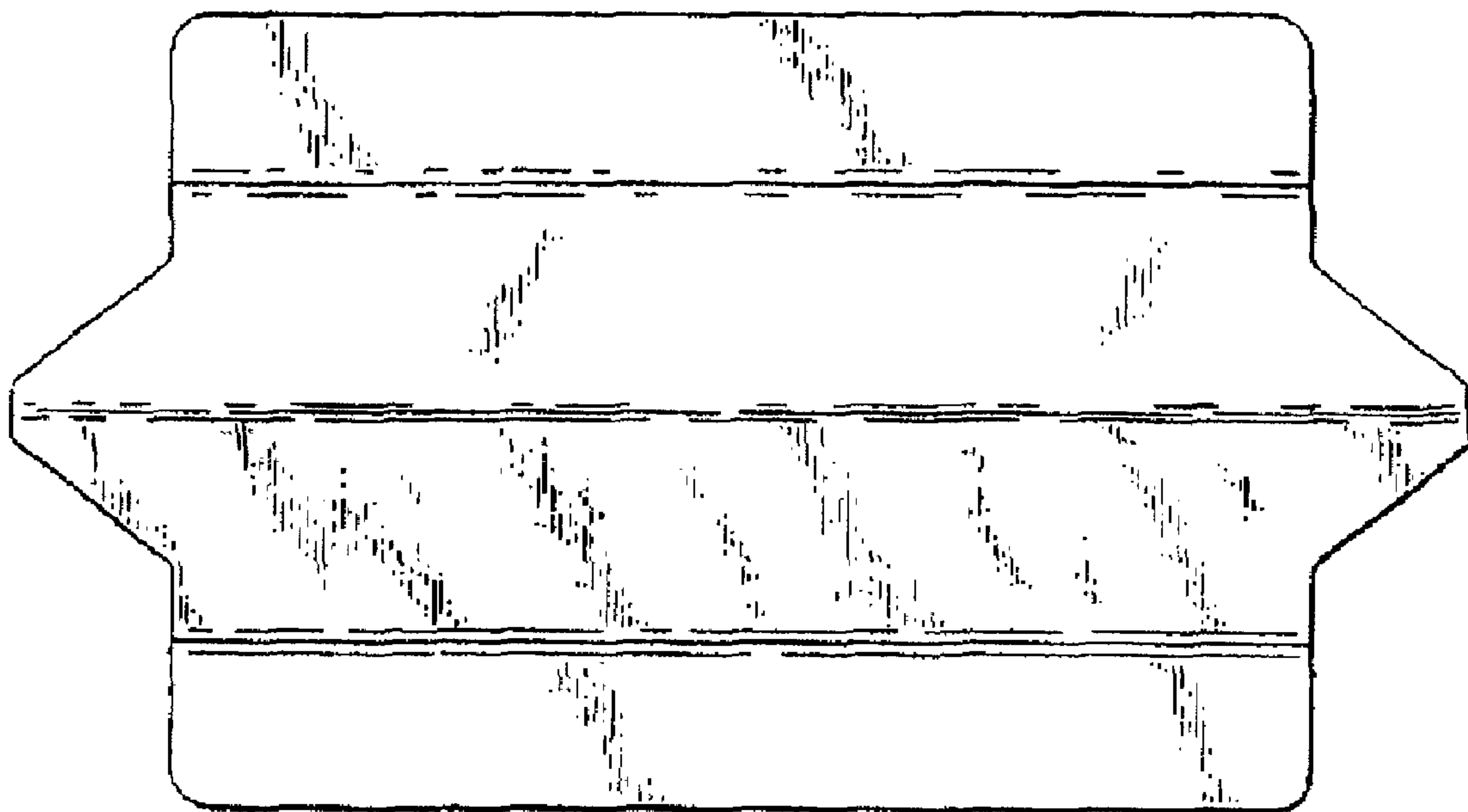


Fig. 5