



US00D601176S

(12) **United States Design Patent**
Wiltsie

(10) **Patent No.:** **US D601,176 S**

(45) **Date of Patent:** **** Sep. 29, 2009**

(54) **WIPER/BEND DIE COMBINATION**

(76) **Inventor:** **Debra Marie Wiltsie**, 2564
Pennsylvania Ave. W., Warren, PA (US)
16365

(**) **Term:** **14 Years**

(21) **Appl. No.:** **29/305,804**

(22) **Filed:** **May 1, 2008**

(51) **LOC (9) Cl.** **15-09**

(52) **U.S. Cl.** **D15/136**

(58) **Field of Classification Search** D15/136,
D15/137; 72/149, 150, 154, 155, 157, 158,
72/159, 369, 370, 473, 478, 481, 482
See application file for complete search history.

(56) **References Cited**

U.S. PATENT DOCUMENTS

D30,049	S *	1/1899	Stewart	D15/136
D165,205	S *	11/1951	Wright	D15/136
3,303,683	A *	2/1967	Schmidt	72/154
3,452,571	A *	7/1969	Sassak	72/219
3,650,136	A *	3/1972	Sindelar	72/150
4,325,244	A *	4/1982	Stowe et al.	72/158
4,380,920	A *	4/1983	Coop et al.	72/158
4,744,233	A *	5/1988	Trudell	72/150
5,142,895	A *	9/1992	Schuchert	72/150

5,339,670	A *	8/1994	Granelli	72/152
D480,737	S *	10/2003	Corcoran et al.	D15/136
7,076,982	B2 *	7/2006	Coop	72/149
7,140,224	B2 *	11/2006	Luo et al.	72/369
7,159,430	B2 *	1/2007	Yogo	72/129
7,171,834	B2 *	2/2007	Robinson	72/149
7,360,385	B1 *	4/2008	Wohlenhaus et al.	72/150
2005/0150268	A1 *	7/2005	Coop	72/157
2005/0235719	A1 *	10/2005	Robinson	72/149

* cited by examiner

Primary Examiner—Sandra Snapp
Assistant Examiner—Patricica Palasik

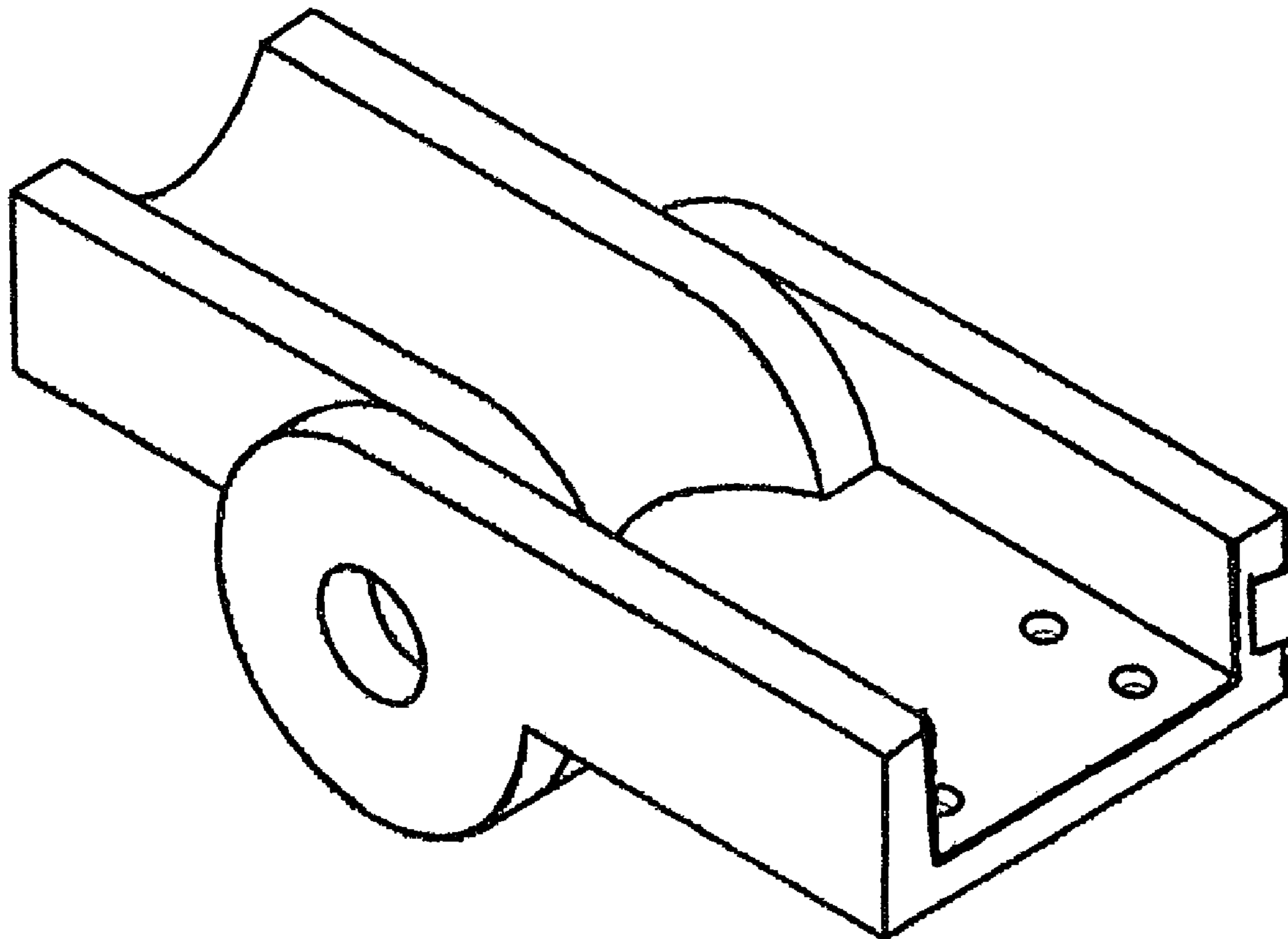
(57) **CLAIM**

The ornamental design for a wiper/bend die combination, as shown.

DESCRIPTION

FIG. 1 is a top plan view of the wiper/bend die combination; FIG. 2 is side elevation view thereof; FIG. 3 is rear view thereof; FIG. 4 is a top, front perspective view thereof; FIG. 5 is a bottom perspective view thereof; and, FIG. 6 is a top, rear perspective view thereof.

1 Claim, 2 Drawing Sheets



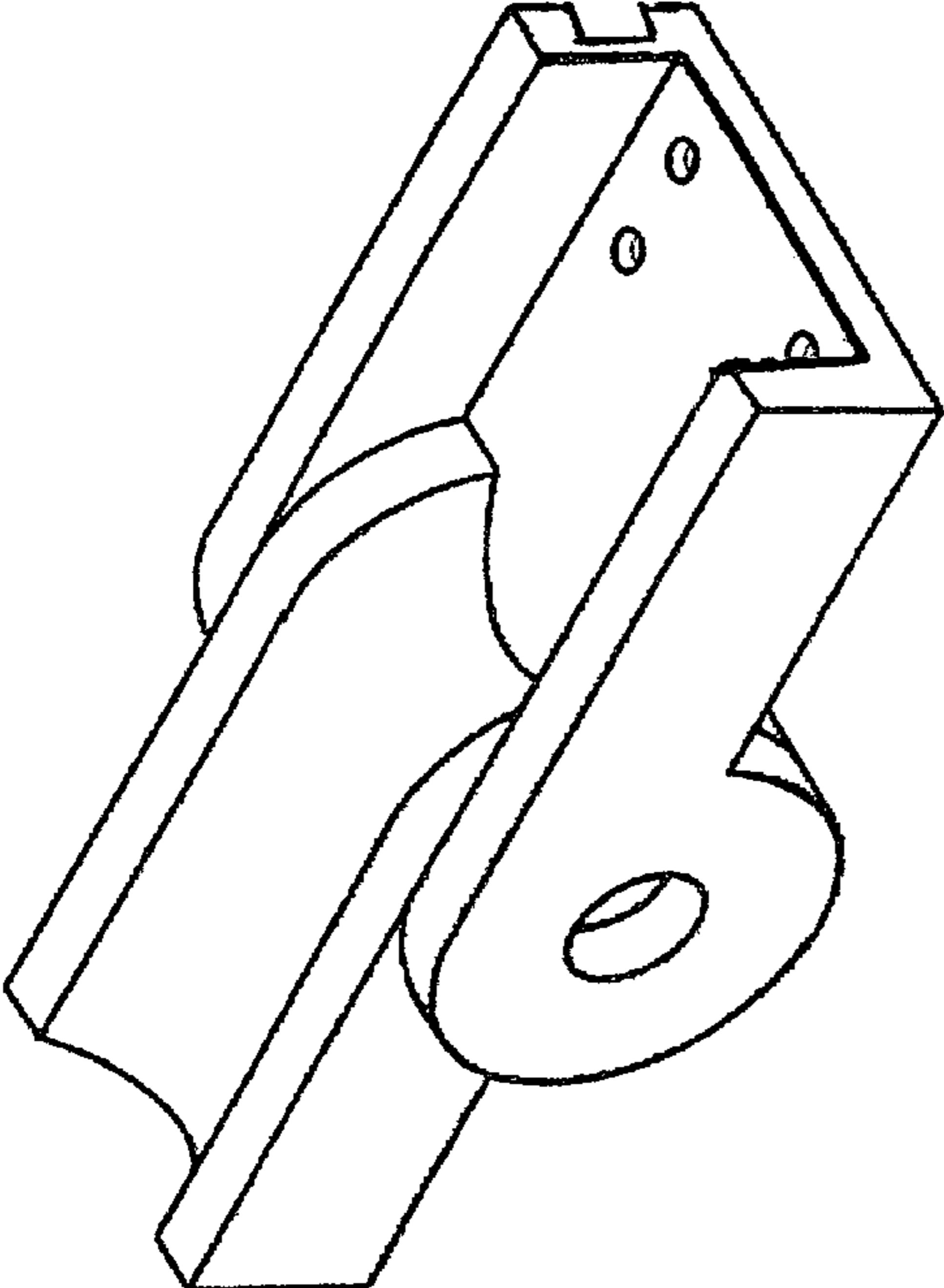


FIG 4

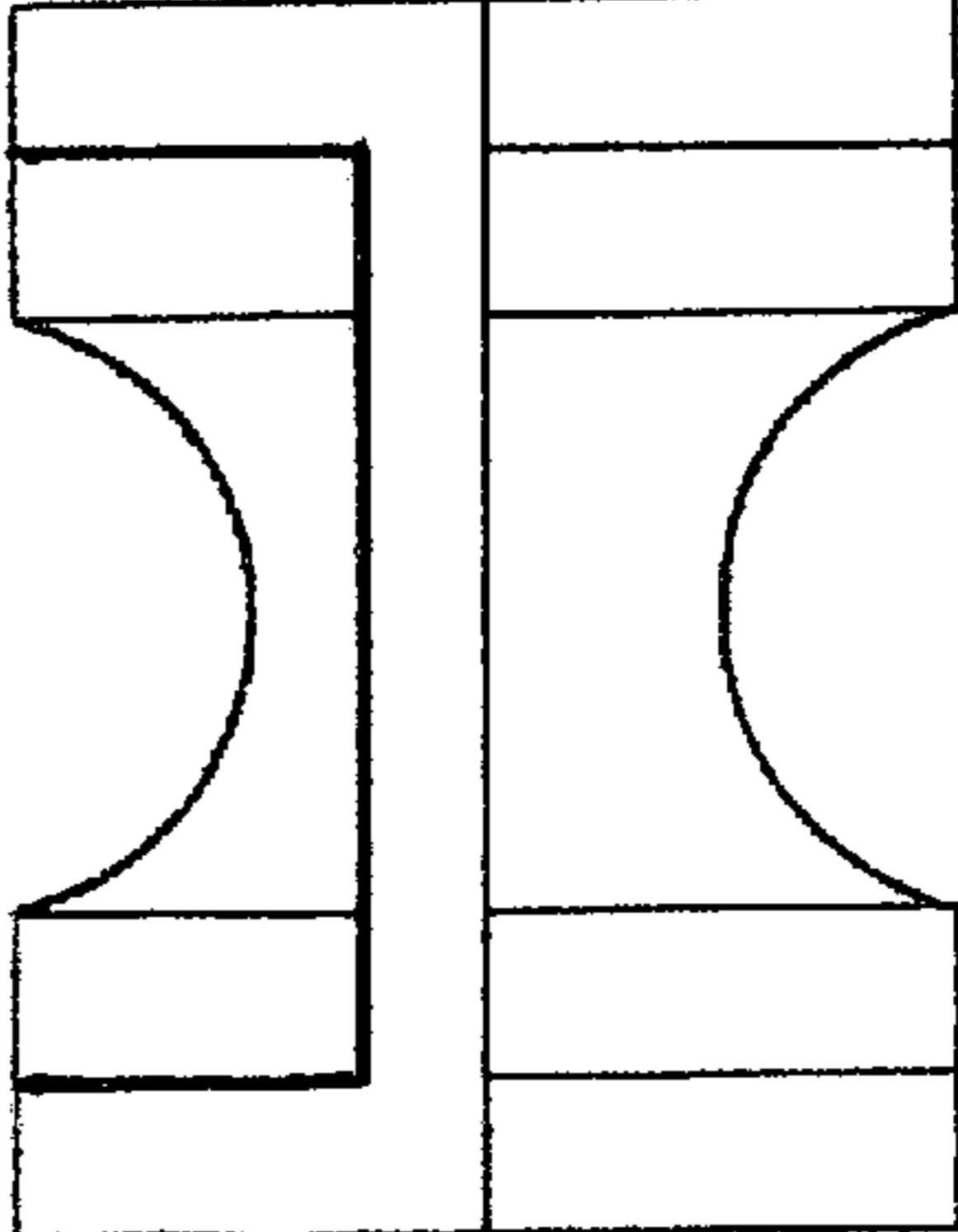


FIG 3

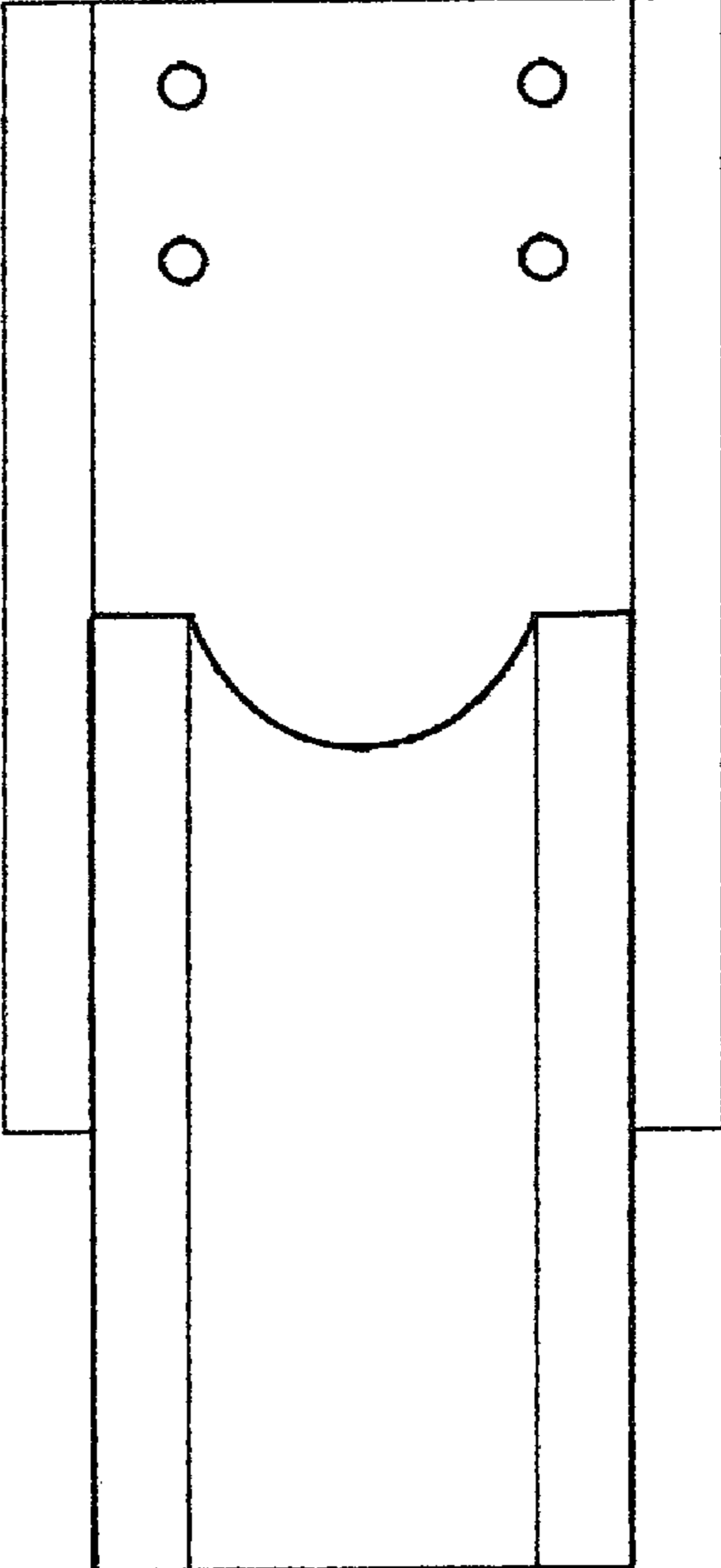


FIG 1

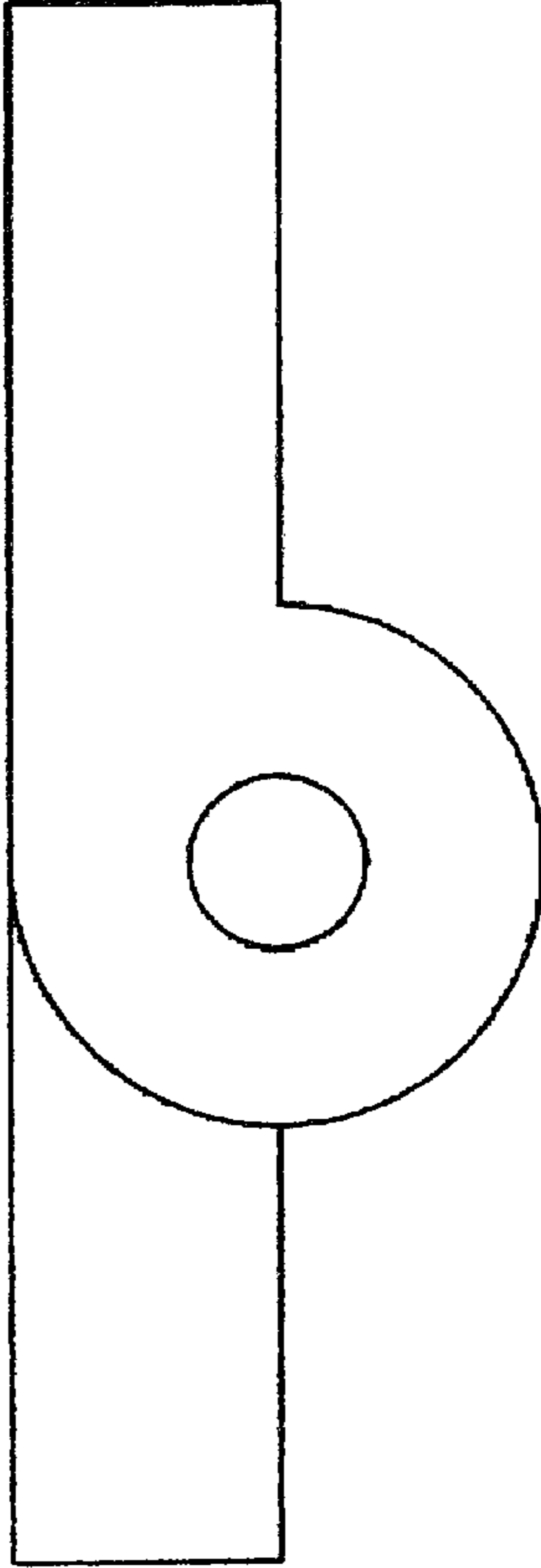


FIG 2

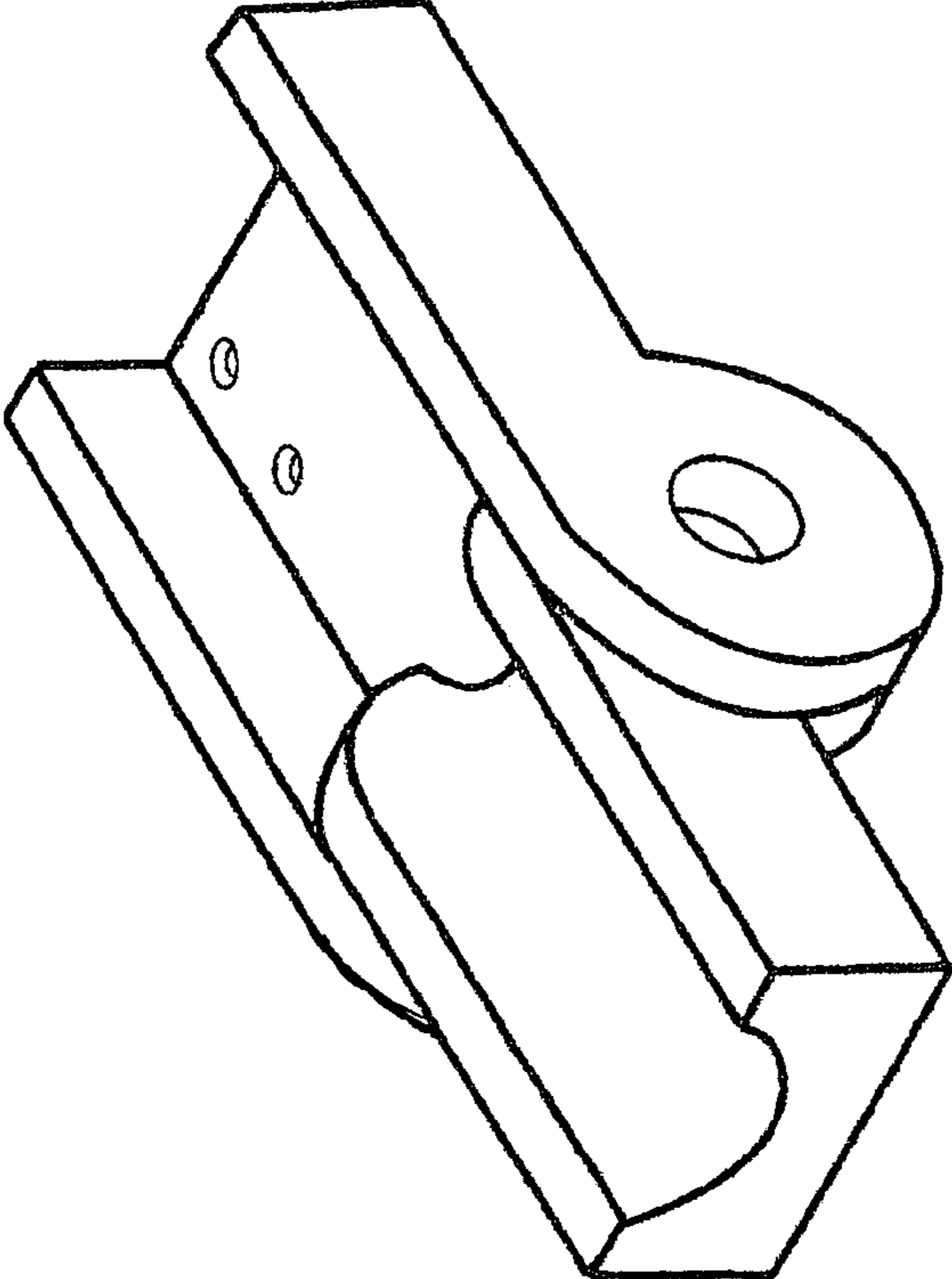


FIG 6

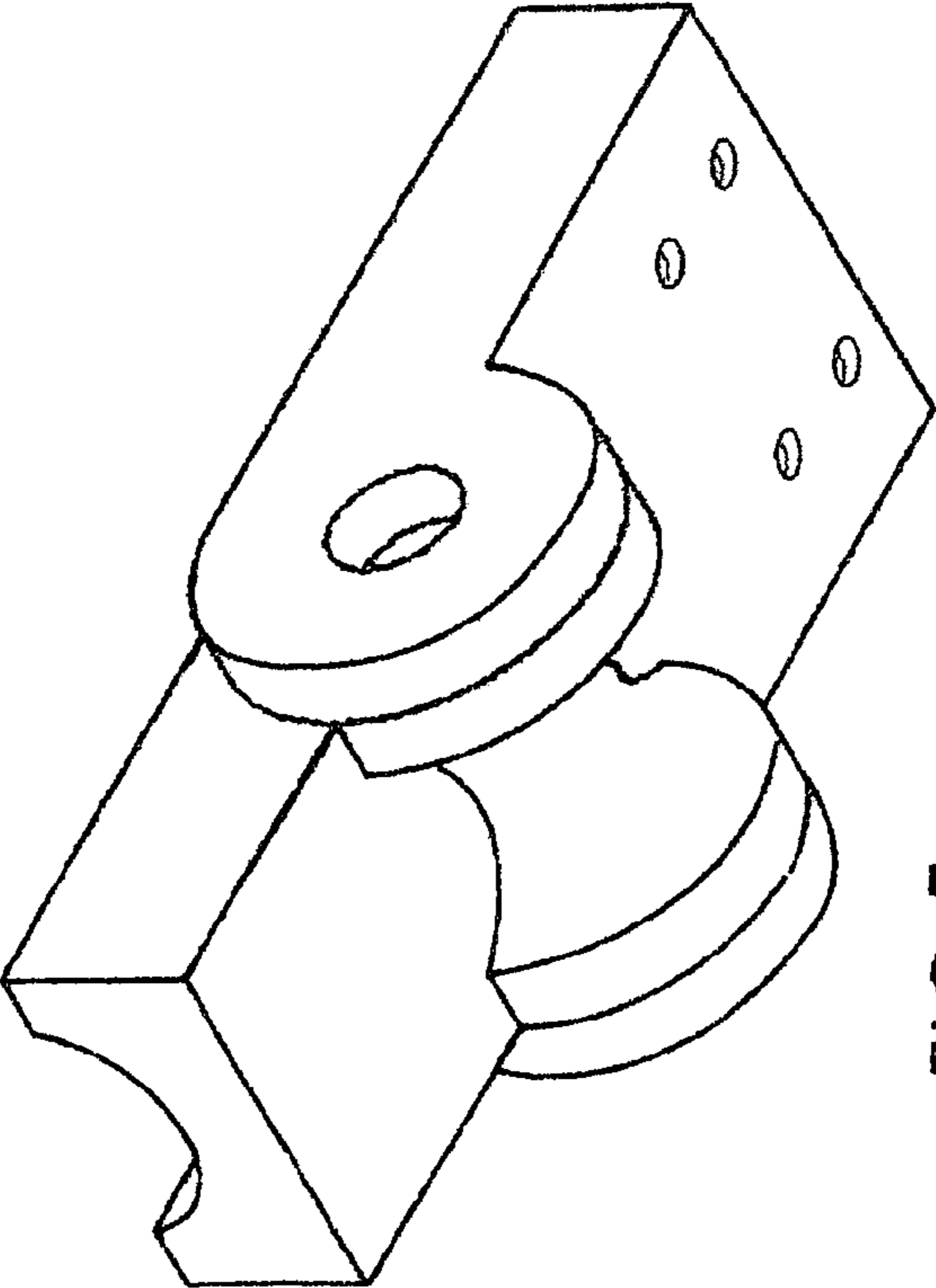


FIG 5