



US00D601175S

(12) **United States Design Patent**
Staud et al.

(10) **Patent No.:** **US D601,175 S**

(45) **Date of Patent:** **** Sep. 29, 2009**

(54) **REFRIGERATOR**

(75) Inventors: **Ralph Staud**, München (DE); **Thomas Tischer**, Haar (DE)

(73) Assignee: **BSH Bosch und Siemens Hausgeraete GmbH**, Munich (DE)

(**) Term: **14 Years**

(21) Appl. No.: **29/310,949**

(22) Filed: **Sep. 18, 2008**

(30) **Foreign Application Priority Data**

Apr. 8, 2008 (EM) 000918321

(51) **LOC (9) Cl.** **15-07**

(52) **U.S. Cl.** **D15/85**

(58) **Field of Classification Search** D15/79,
D15/81, 85, 88; 62/3.6, 3.63, 3.64, 246-257;
312/236, 400-408

See application file for complete search history.

(56) **References Cited**

U.S. PATENT DOCUMENTS

D515,597 S * 2/2006 Park et al. D15/85

D518,833 S * 4/2006 Kwak et al. D15/85

D524,832 S * 7/2006 Kim et al. D15/85

D527,395 S * 8/2006 Kim D15/85

D551,260 S * 9/2007 Kim et al. D15/85

D555,177 S * 11/2007 Yeo et al. D15/85

D555,178 S * 11/2007 Yeo et al. D15/85

D558,800 S * 1/2008 Byun et al. D15/85

D568,343 S * 5/2008 Suh et al. D15/85

D569,397 S * 5/2008 Kim et al. D15/85

D579,031 S * 10/2008 Lee et al. D15/85

D579,468 S * 10/2008 Yang et al. D15/85

* cited by examiner

Primary Examiner—Stella M Reid

Assistant Examiner—Shanda C Hill

(74) *Attorney, Agent, or Firm*—James E. Howard

(57) **CLAIM**

The ornamental design for a refrigerator, as shown and described.

DESCRIPTION

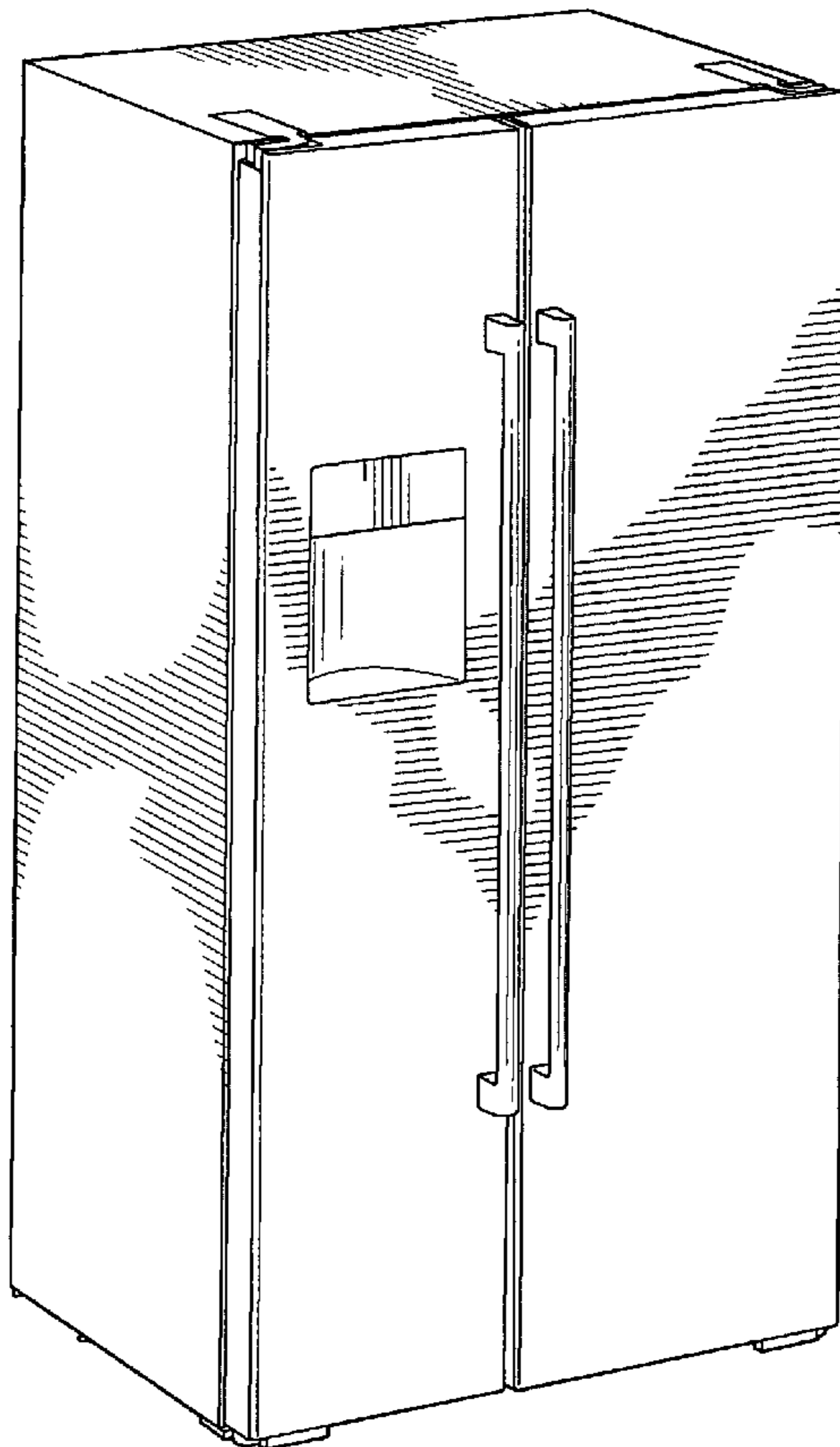
FIG. 1 is a perspective view of a refrigerator showing our ornamental design;

FIG. 2 is a front plan view thereof;

FIG. 3 is a left view thereof; and,

FIG. 4 is a top view thereof.

1 Claim, 4 Drawing Sheets



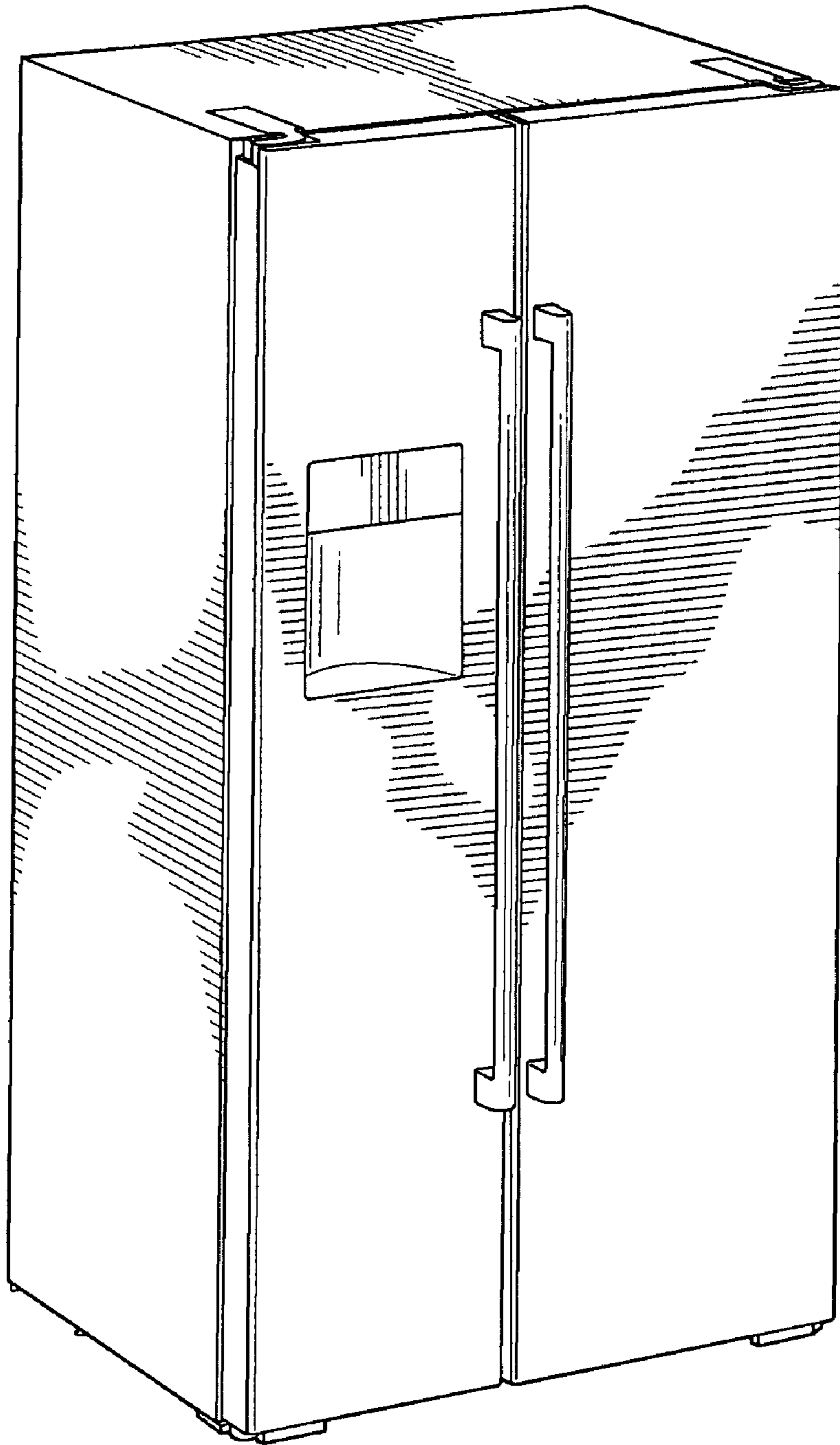


FIG. 1

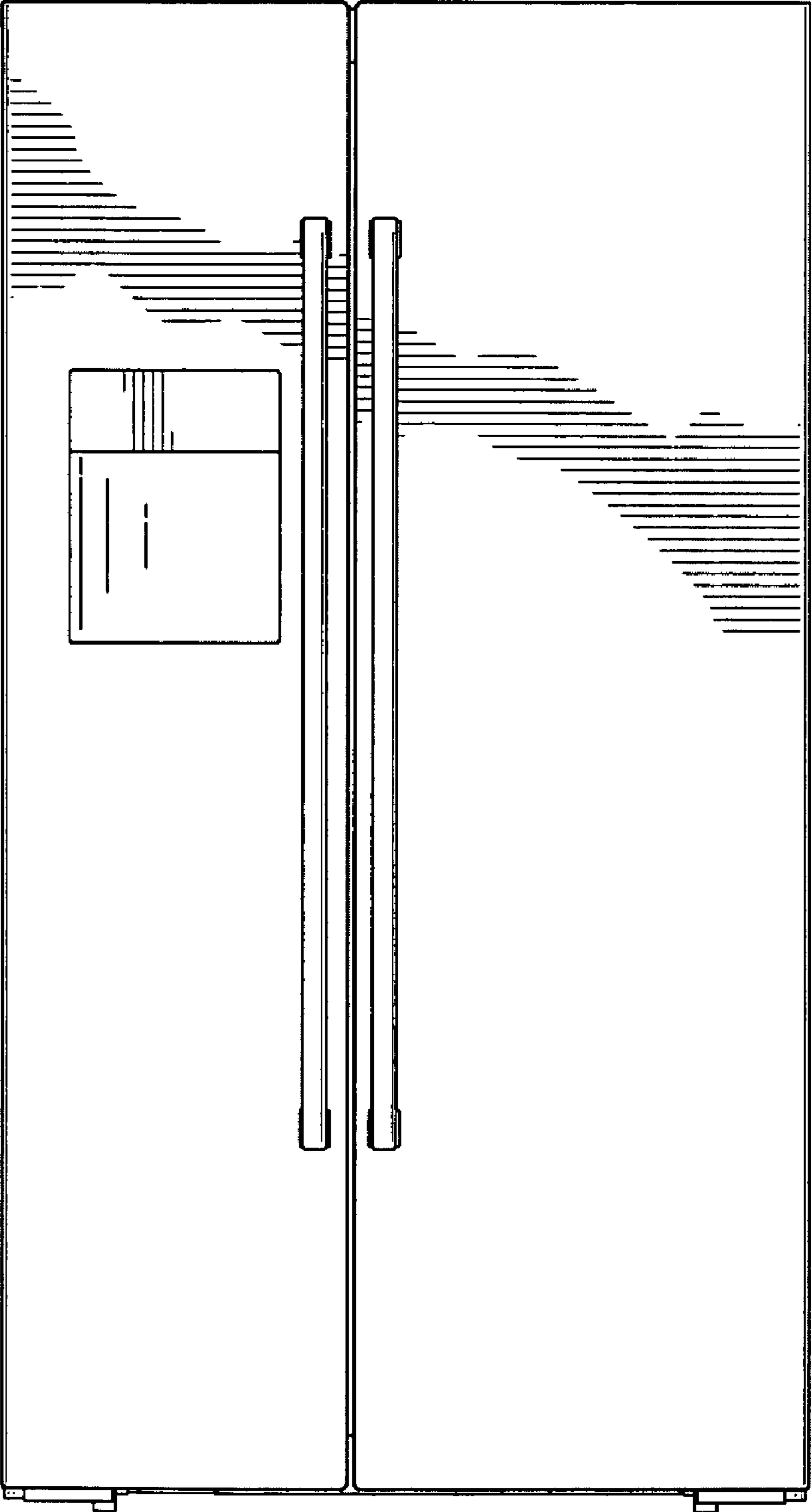


FIG. 2

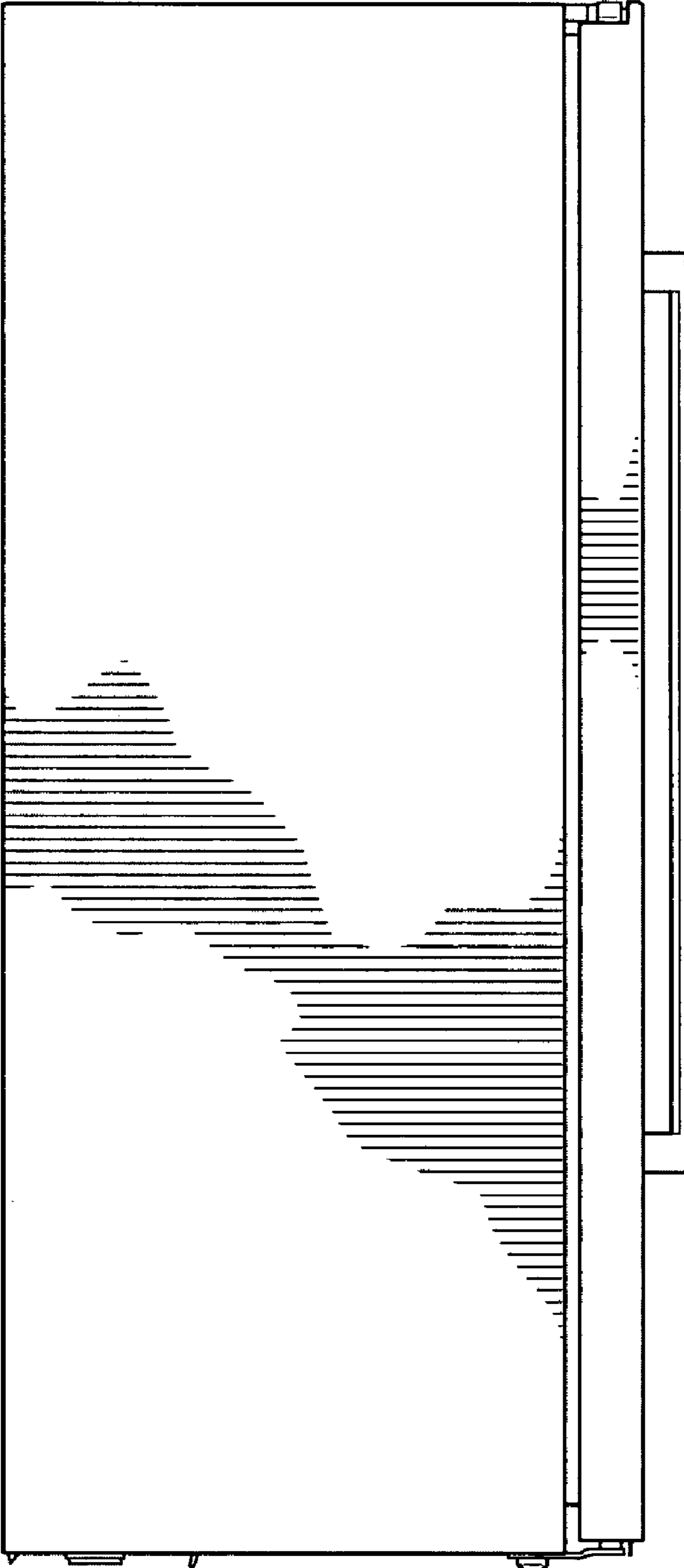


FIG. 3

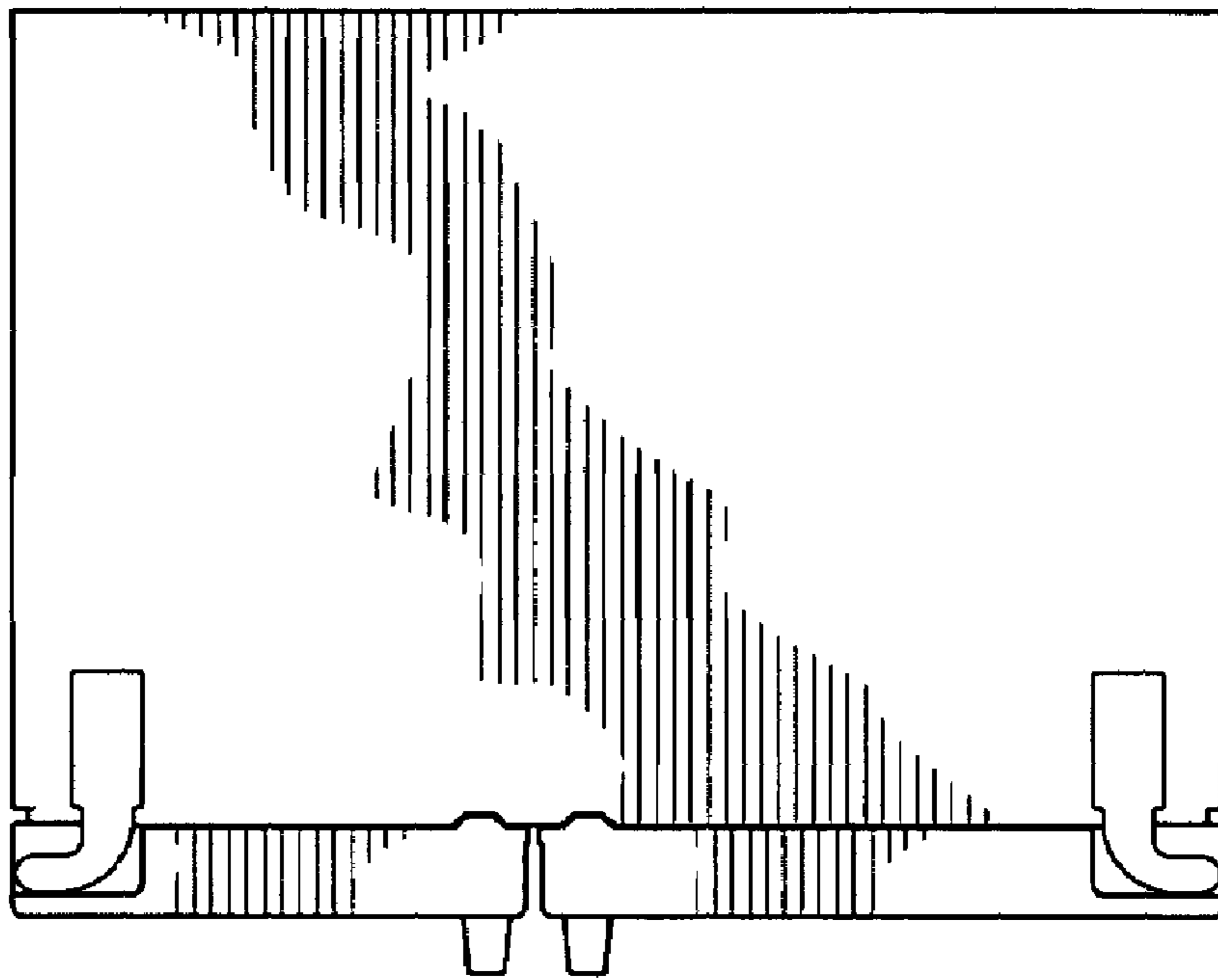


FIG. 4