



US00D601174S

(12) **United States Design Patent**  
**TerBeek**

(10) **Patent No.:** **US D601,174 S**  
(45) **Date of Patent:** **\*\* Sep. 29, 2009**

(54) **HARVESTER BUCKET**

(75) Inventor: **Michael TerBeek**, Lynden, WA (US)

(73) Assignee: **Oxbo International Corporation**,  
Byron, NY (US)

(\*\*) Term: **14 Years**

(21) Appl. No.: **29/322,350**

(22) Filed: **Aug. 1, 2008**

(51) **LOC (9) Cl.** ..... **15-03**

(52) **U.S. Cl.** ..... **D15/28; D34/24; D34/35**

(58) **Field of Classification Search** ..... D15/10,  
D15/26-29, 32; D34/28, 29, 35; 198/706-710,  
198/712, 713, 509, 307.1; 56/330  
See application file for complete search history.

(56) **References Cited**

**U.S. PATENT DOCUMENTS**

D3,745 S *	11/1869	Storms et al.	.....	D34/29
D15,570 S *	11/1884	Woehrle	.....	D32/30
714,149 A *	11/1902	Clarke	.....	198/706
1,830,603 A *	11/1931	Gumper	.....	198/534
2,339,938 A *	1/1944	Meyer	.....	198/550.11
3,083,814 A *	4/1963	Meyer	.....	198/710
3,144,123 A *	8/1964	Wiese	.....	198/711
D225,128 S *	11/1972	Gregor	.....	D34/29
D227,156 S *	6/1973	Callies	.....	D34/29
3,756,002 A *	9/1973	Mecca	.....	56/330
3,777,463 A *	12/1973	Claxton	.....	56/330
3,795,305 A *	3/1974	Sandvik	.....	198/706
3,988,878 A *	11/1976	Mecca	.....	56/330
4,019,625 A *	4/1977	Wiese	.....	198/708
4,548,314 A *	10/1985	Marsh	.....	198/712
D286,929 S *	11/1986	Brandon	.....	D32/53.1
D293,037 S *	12/1987	Capawana	.....	D34/35
4,770,287 A *	9/1988	Glowatzki	.....	198/706
4,944,387 A *	7/1990	Burke	.....	198/706
4,958,721 A *	9/1990	Redford	.....	198/710

D312,261 S *	11/1990	Burke	.....	D15/32
4,988,250 A *	1/1991	Yamanaka	.....	414/141.1
5,143,203 A *	9/1992	Hinner	.....	198/708
D336,091 S *	6/1993	Kovalak et al.	.....	D15/32
D338,893 S *	8/1993	Simpson	.....	D15/13
5,526,922 A *	6/1996	Clark	.....	198/708
D389,976 S *	1/1998	Burgess et al.	.....	D34/28
D407,174 S *	3/1999	Baker	.....	D34/29
6,237,745 B1 *	5/2001	Kitamura	.....	198/703
6,267,226 B1 *	7/2001	Jarmain	.....	198/701
6,334,527 B1 *	1/2002	Kitamura	.....	198/704
D496,052 S *	9/2004	Braime et al.	.....	D15/32
D524,826 S *	7/2006	Boyapally et al.	.....	D15/29
2001/0050210 A1 *	12/2001	Kitamura	.....	198/707
2004/0026215 A1 *	2/2004	Snowball	.....	198/708

\* cited by examiner

*Primary Examiner*—Stella M Reid

*Assistant Examiner*—Mark A Goodwin

(74) *Attorney, Agent, or Firm*—Merchant & Gould PC

(57) **CLAIM**

The ornamental design for a harvester bucket, as shown and described.

**DESCRIPTION**

FIG. 1 is a top right perspective view of a harvester bucket showing my new design;

FIG. 2 is a front elevational thereof;

FIG. 3 is a rear elevational view thereof;

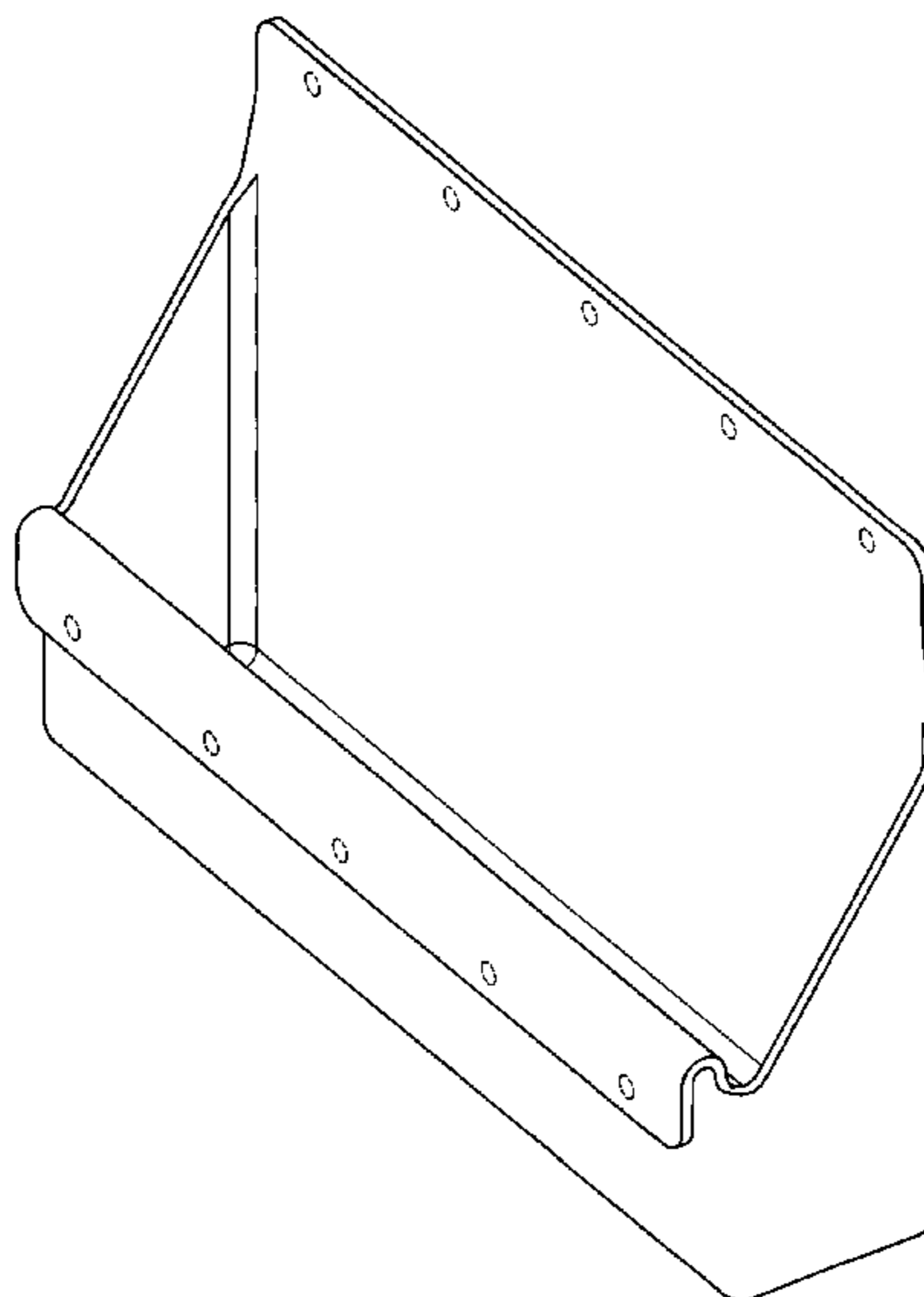
FIG. 4 is a right side elevational view thereof, a left side elevational view not being shown as it is a mirror image thereof;

FIG. 5 is a top plan view thereof; and,

FIG. 6 is a bottom plan view thereof.

The portions shown in broken lines are for illustrative purposes only and form no part of the claimed design.

**1 Claim, 6 Drawing Sheets**



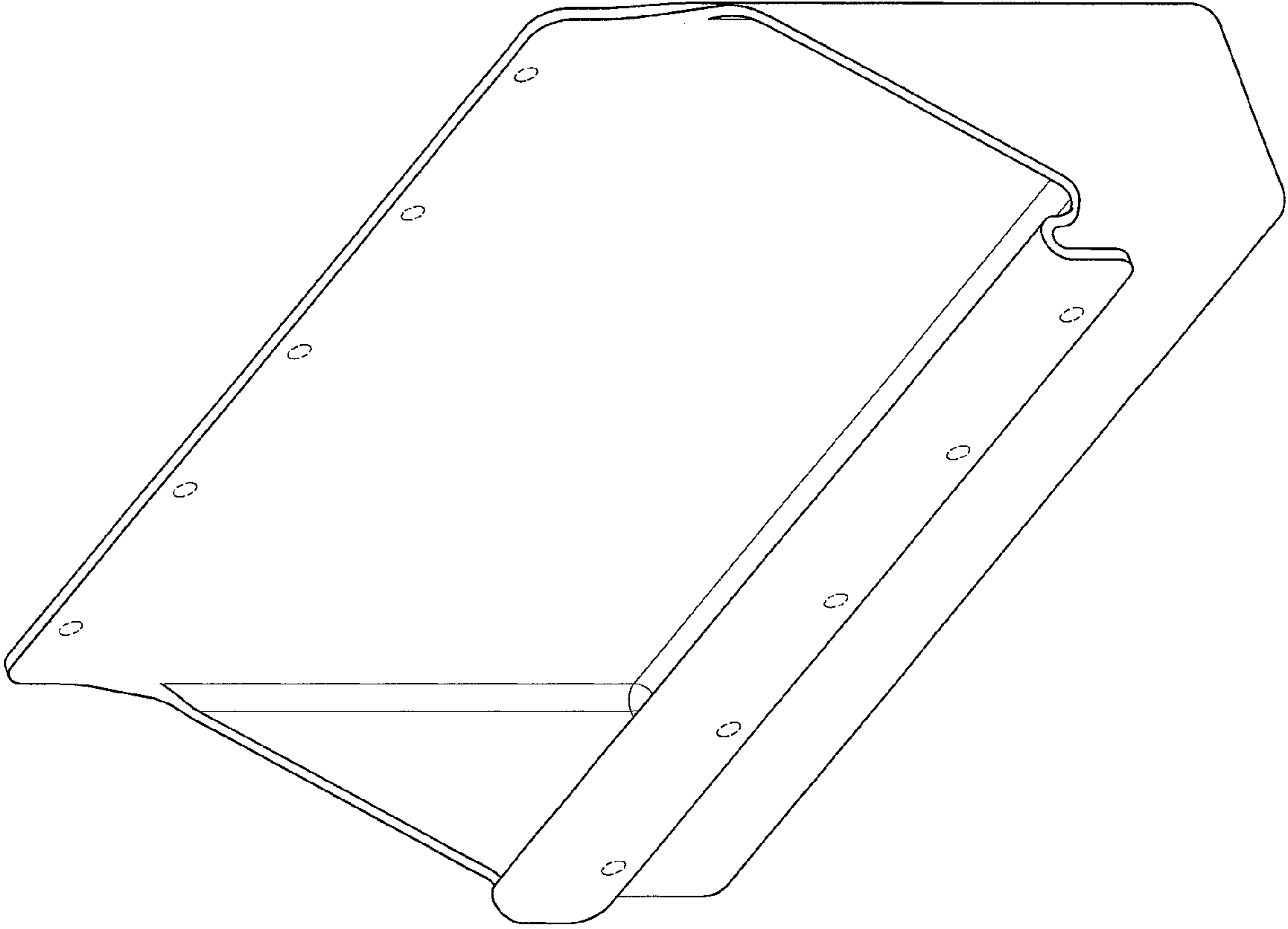


FIG. 1

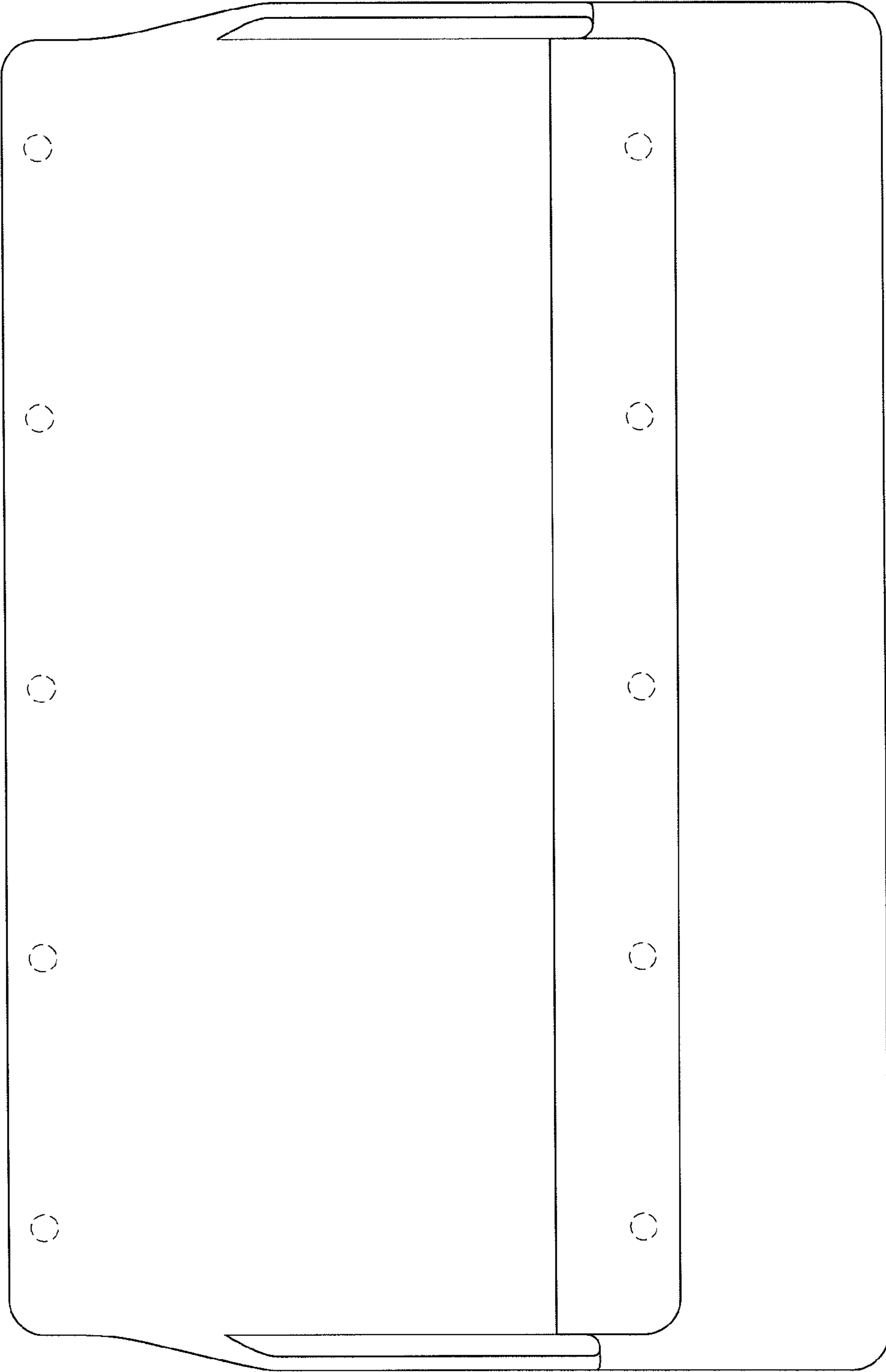


FIG. 2

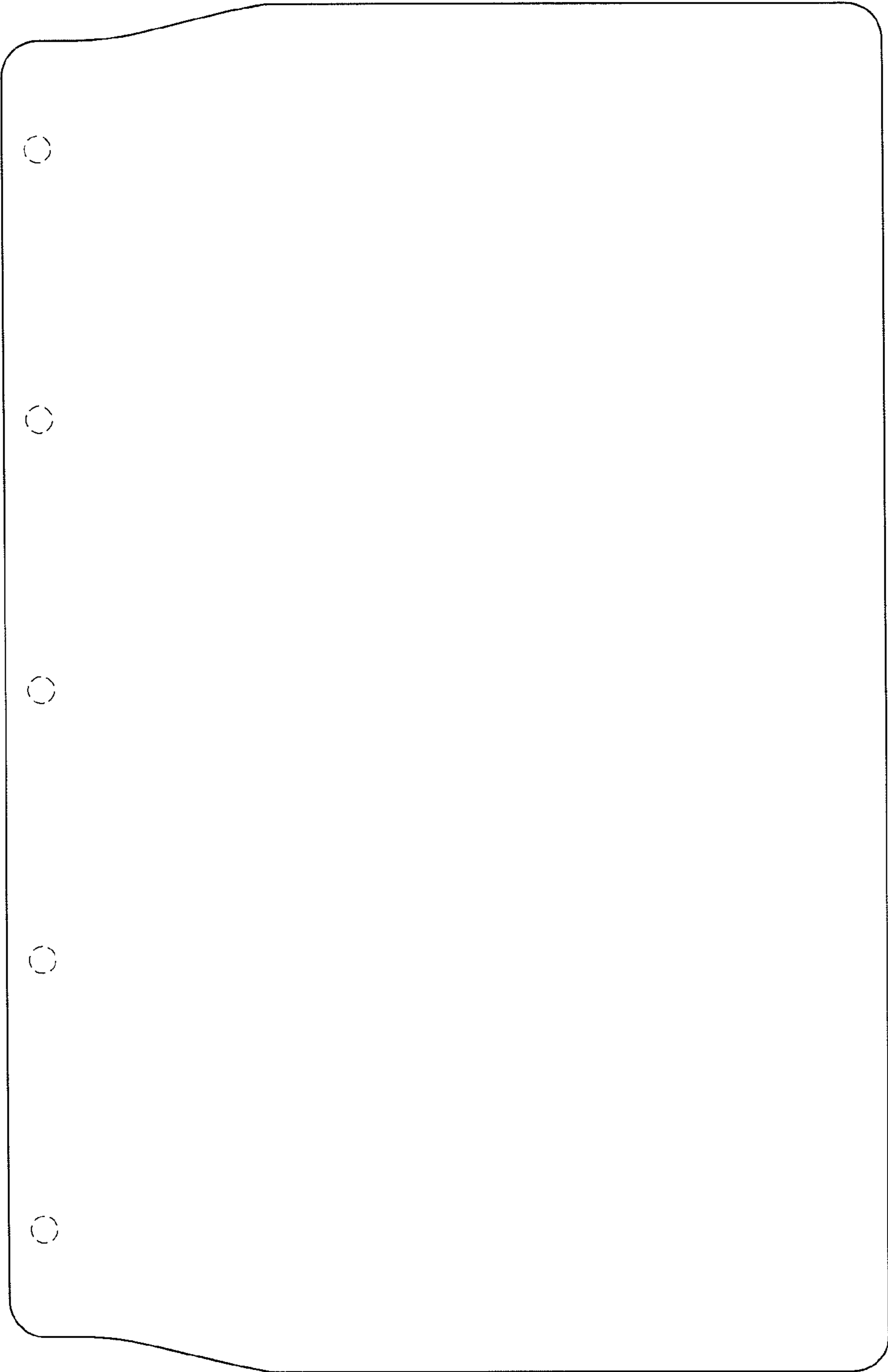


FIG. 3

FIG. 4

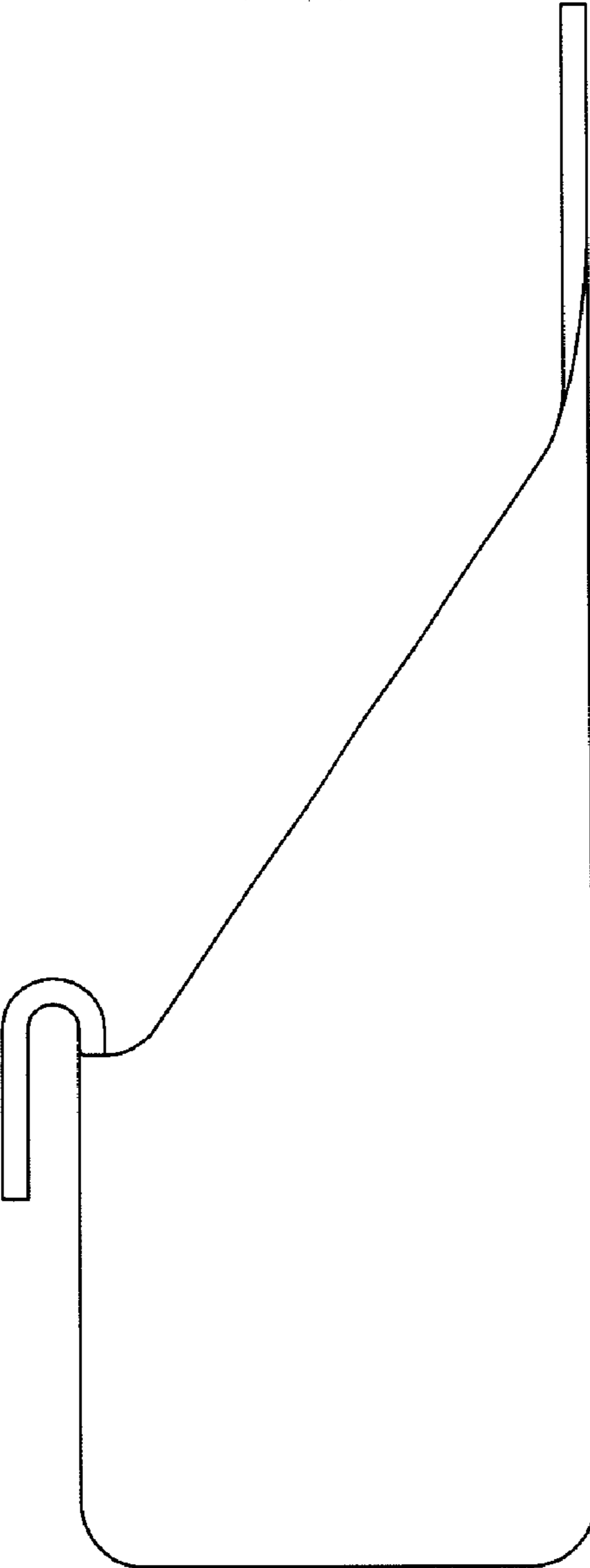
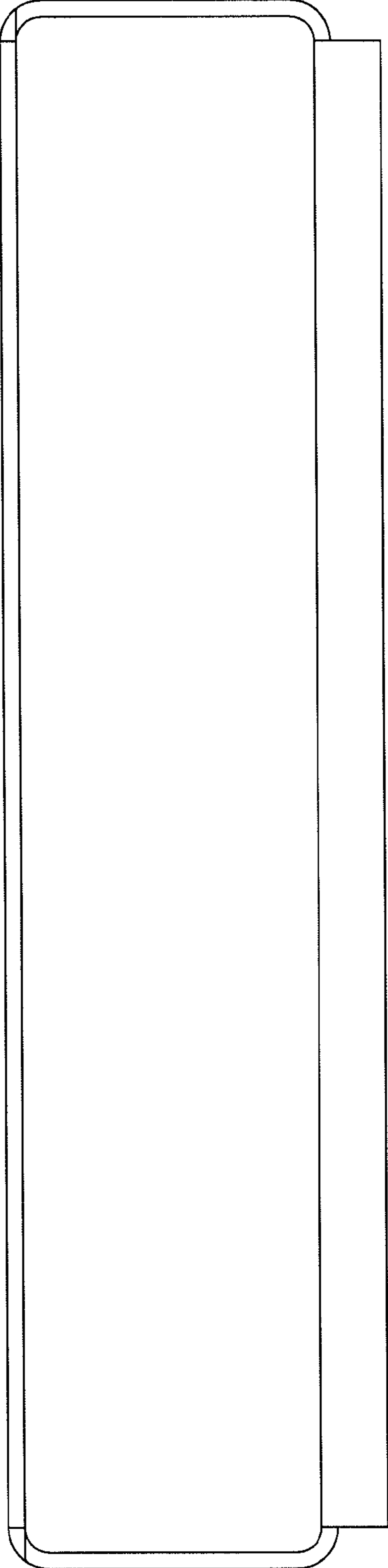


FIG. 5



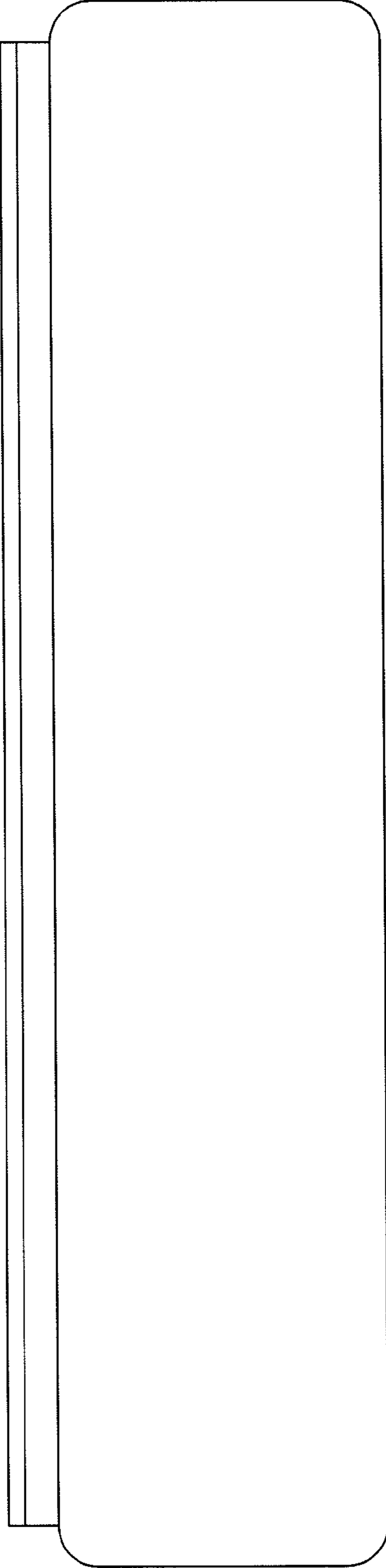


FIG. 6