



US00D601172S

(12) **United States Design Patent**
Andre et al.

(10) **Patent No.:** **US D601,172 S**
(45) **Date of Patent:** **** Sep. 29, 2009**

(54) **MEDIA DEVICE**

(75) Inventors: **Bartley K. Andre**, Menlo Park, CA (US); **Daniel J. Coster**, San Francisco, CA (US); **Daniele De Iuliis**, San Francisco, CA (US); **Richard P. Howarth**, San Francisco, CA (US); **Jonathan P. Ive**, San Francisco, CA (US); **Steve Jobs**, Palo Alto, CA (US); **Duncan Robert Kerr**, San Francisco, CA (US); **Shin Nishibori**, San Francisco, CA (US); **Matthew Dean Rohrbach**, San Francisco, CA (US); **Douglas B. Satzger**, Menlo Park, CA (US); **Calvin Q. Seid**, Palo Alto, CA (US); **Christopher J. Stringer**, Portola Valley, CA (US); **Eugene Antony Whang**, San Francisco, CA (US); **Rico Zorkendorfer**, San Francisco, CA (US)

(73) Assignee: **Apple Inc.**, Cupertino, CA (US)

(**) Term: **14 Years**

(21) Appl. No.: **29/334,452**

(22) Filed: **Mar. 26, 2009**

Related U.S. Application Data

(60) Division of application No. 29/296,899, filed on Oct. 30, 2007, now Pat. No. Des. 589,530, which is a continuation of application No. 29/265,521, filed on Sep. 1, 2006, now Pat. No. Des. 560,228.

(51) **LOC (9) Cl.** **14-03**

(52) **U.S. Cl.** **D14/496**

(58) **Field of Classification Search** D14/496, D14/401, 435, 474, 483, 217, 137, 138, 160, D14/168, 356, 203.1-203.8, 507; 345/156, 345/169, 173-179, 905; 715/727-729, 864; 710/1, 5, 8; 713/1, 600; 455/1.1, 1.7, 73, 455/344-347, 93, 95, 3.01-3.06, 550.1, 573.1; 370/342-344; 369/1, 2, 6-12; 463/43-47; 273/148 B

See application file for complete search history.

(56) **References Cited**

U.S. PATENT DOCUMENTS

5,825,408 A 10/1998 Yuyama et al.

(Continued)

FOREIGN PATENT DOCUMENTS

CN 3260632D 10/2002

(Continued)

OTHER PUBLICATIONS

“ASCII” weekly publication issued on Jul. 29, 2003, No. 450, Design of USB Memory Audio Player (JPO publicly known design No. HA15013509) received by the National Center for Industrial Property Information on Jul. 15, 2003.

(Continued)

Primary Examiner—Prabhakar Deshmukh

(74) *Attorney, Agent, or Firm*—Sterne Kessler Goldstein & Fox PLLC

(57) **CLAIM**

The ornamental design for a media device, as shown and described.

DESCRIPTION

FIG. 1 is a front perspective view of a media device showing our new design.

FIG. 2 is a front elevational view thereof;

FIG. 3 is a rear elevational view thereof;

FIG. 4 is a top plan view thereof;

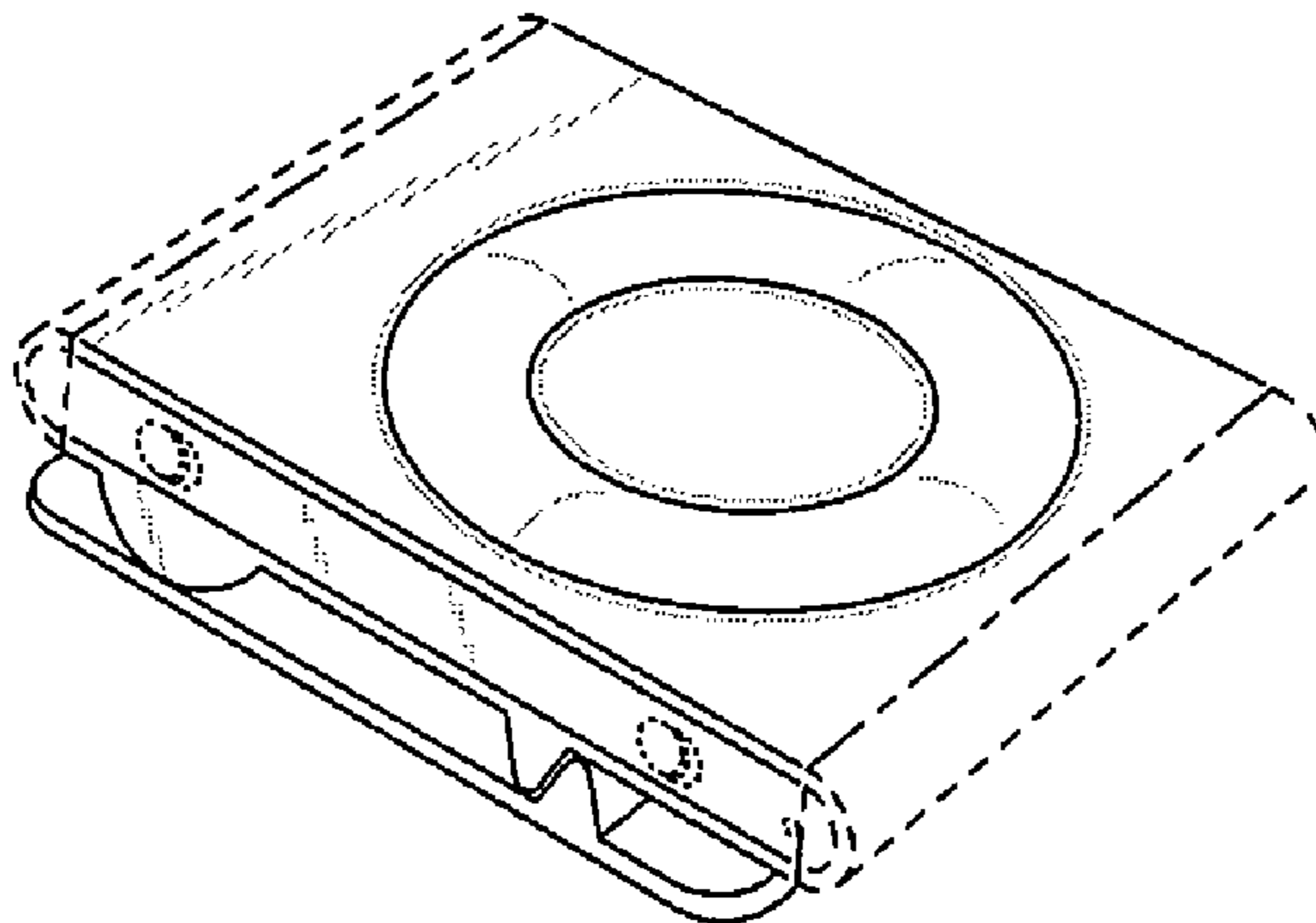
FIG. 5 is a bottom plan view thereof;

FIG. 6 is a left side elevational view thereof; and,

FIG. 7 is a right side elevational view thereof.

The broken lines in the Figures show environment and form no part of the claimed design. The dot dash lines in the Figures represent unclaimed boundary lines and form no part of the claimed design.

1 Claim, 4 Drawing Sheets



US D601,172 S

Page 2

U.S. PATENT DOCUMENTS

5,859,594	A	1/1999	King et al.
6,122,526	A	9/2000	Parulski et al.
D432,523	S	10/2000	Grinkus et al.
D438,525	S	3/2001	Katayama
D441,735	S	5/2001	Katayama
6,567,011	B1	5/2003	Young et al.
6,671,567	B1	12/2003	Dwyer et al.
D494,188	S	8/2004	Huang
6,791,907	B2	9/2004	Berhan
D500,302	S	12/2004	Deguchi
D500,485	S	1/2005	Deguchi
D503,409	S	3/2005	Wong et al.
D506,476	S	6/2005	Andre et al.
D507,277	S	7/2005	Sitoh
6,920,344	B2	7/2005	Jang
D508,495	S	8/2005	Bone et al.
D511,347	S	11/2005	Naruki
D511,510	S	11/2005	Beasley et al.
D513,011	S	12/2005	Johnson
D515,545	S	2/2006	Griffin
D516,576	S	3/2006	Ive et al.
7,013,164	B2	3/2006	Lin
7,046,230	B2	5/2006	Zadesky et al.
D529,044	S	9/2006	Andre et al.
D530,340	S	10/2006	Andre et al.
D534,184	S	12/2006	Leija et al.
D534,545	S	1/2007	Leija et al.
D534,921	S	1/2007	Andre et al.
D539,814	S	4/2007	Andre et al.
D563,434	S *	3/2008	Dai D14/496
D569,389	S *	5/2008	Andre et al. D14/496
D577,039	S *	9/2008	Shin et al. D14/496
D590,826	S *	4/2009	Andre et al. D14/341
2004/0233646	A1	11/2004	Yen
2005/0109841	A1	5/2005	Ryan et al.
2006/0094301	A1	5/2006	Lee et al.

CN	3484184D	11/2005
CN	3269799D	12/2005
CN	3490573D	12/2005
CN	3490574D	12/2005
CN	3513646D	3/2006
CN	3518964D	4/2006
CN	3518979D	4/2006
CN	3541511D	7/2006
CN	3543434D	7/2006
CN	3543442D	7/2006
CN	3543458D	7/2006
CN	3545312D	7/2006
CN	3545341D	7/2006
CN	3549064D	8/2006
JP	D1121650 A	5/1989
JP	D1085073	9/2000
JP	D1085080	9/2000
JP	D1089527	10/2000
JP	D1089528	10/2000
JP	D1089529	10/2000
JP	D1089530	10/2000
JP	D1105429	4/2001
JP	D1106151	4/2001
JP	D1106452	4/2001
JP	D1121650	9/2001
JP	D1123108	10/2001
JP	D1129386	12/2001
JP	D1129387	12/2001
JP	D1131037	1/2002
JP	D1154927	10/2002
JP	D1174623	6/2003
JP	D1174710	6/2003
JP	D1185408	9/2003
JP	D1188267	10/2003
JP	D1191223	12/2003
JP	D1193941	1/2004
JP	D1211811	7/2004
JP	D1211812	7/2004

FOREIGN PATENT DOCUMENTS

CN	3260633D	10/2002
CN	3287344D	4/2003
CN	3331371D	10/2003
CN	3389184D	9/2004
CN	3389185D	9/2004
CN	3390597D	9/2004
CN	3393195D	9/2004
CN	3453893D	6/2005
CN	3453894D	6/2005
CN	3453909D	6/2005
CN	3468582D	8/2005
CN	3468598D	8/2005
CN	3480659D	10/2005

OTHER PUBLICATIONS

“Notification of Reason(s) for Refusal,” received in corresponding Japanese Design Application No. 2005-11833, Jun. 24, 2005.

“PC2000,” May 2002, p. 84.

Office Action from the Taiwanese Intellectual Property Office re: Taiwanese Design Application No. 94302098, Mar. 1, 2006.

U.S. Appl. No. 29/224,220, Andre et al., Media Device, filed Feb. 25, 2005.

International Search Report for Japanese Application No. 095307019, dated Oct. 22, 2007.

U.S. Appl. No. 29/296,899, filed Oct. 30, 2007, title “Media Device”, now allowed.

* cited by examiner

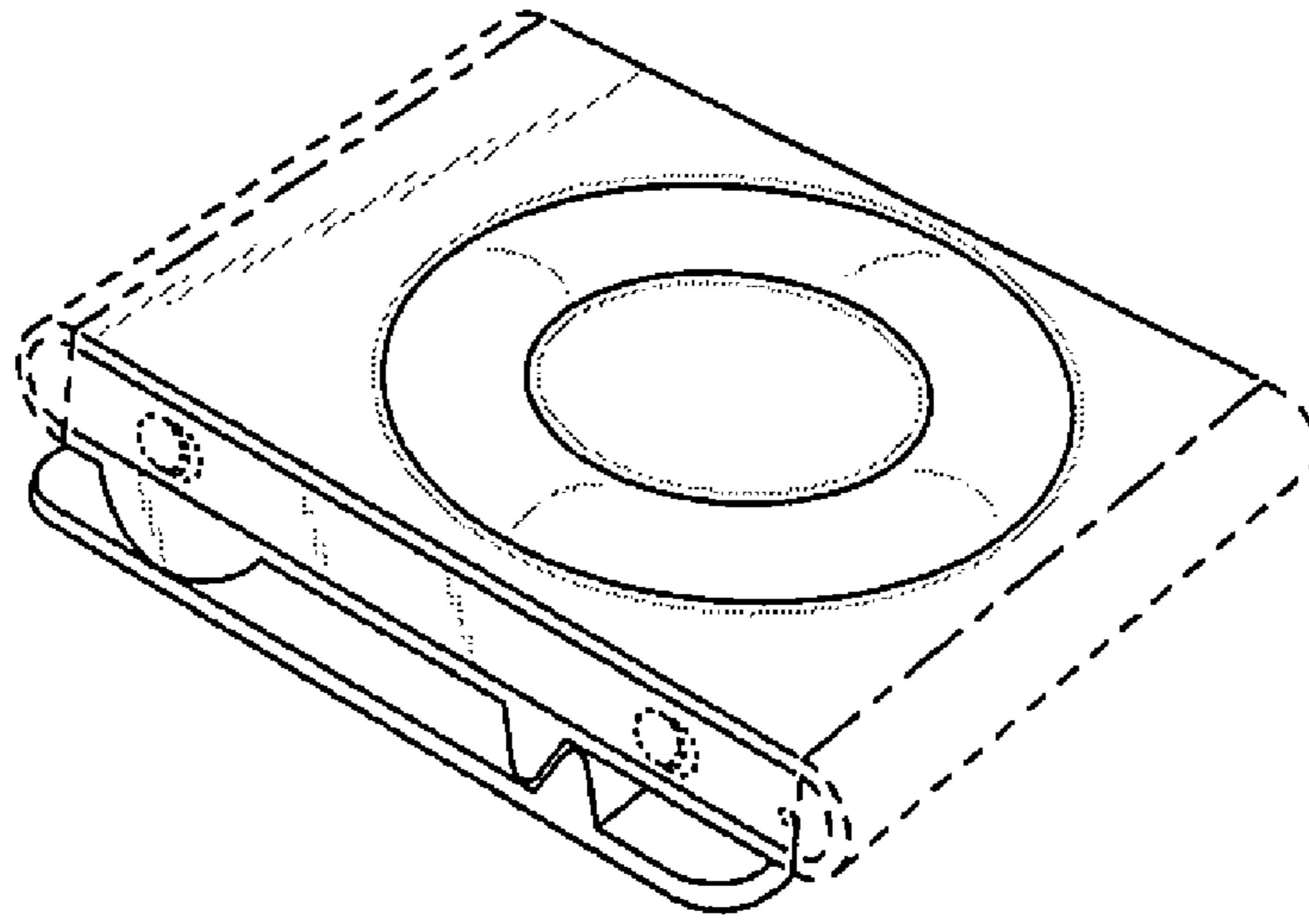


FIG. 1

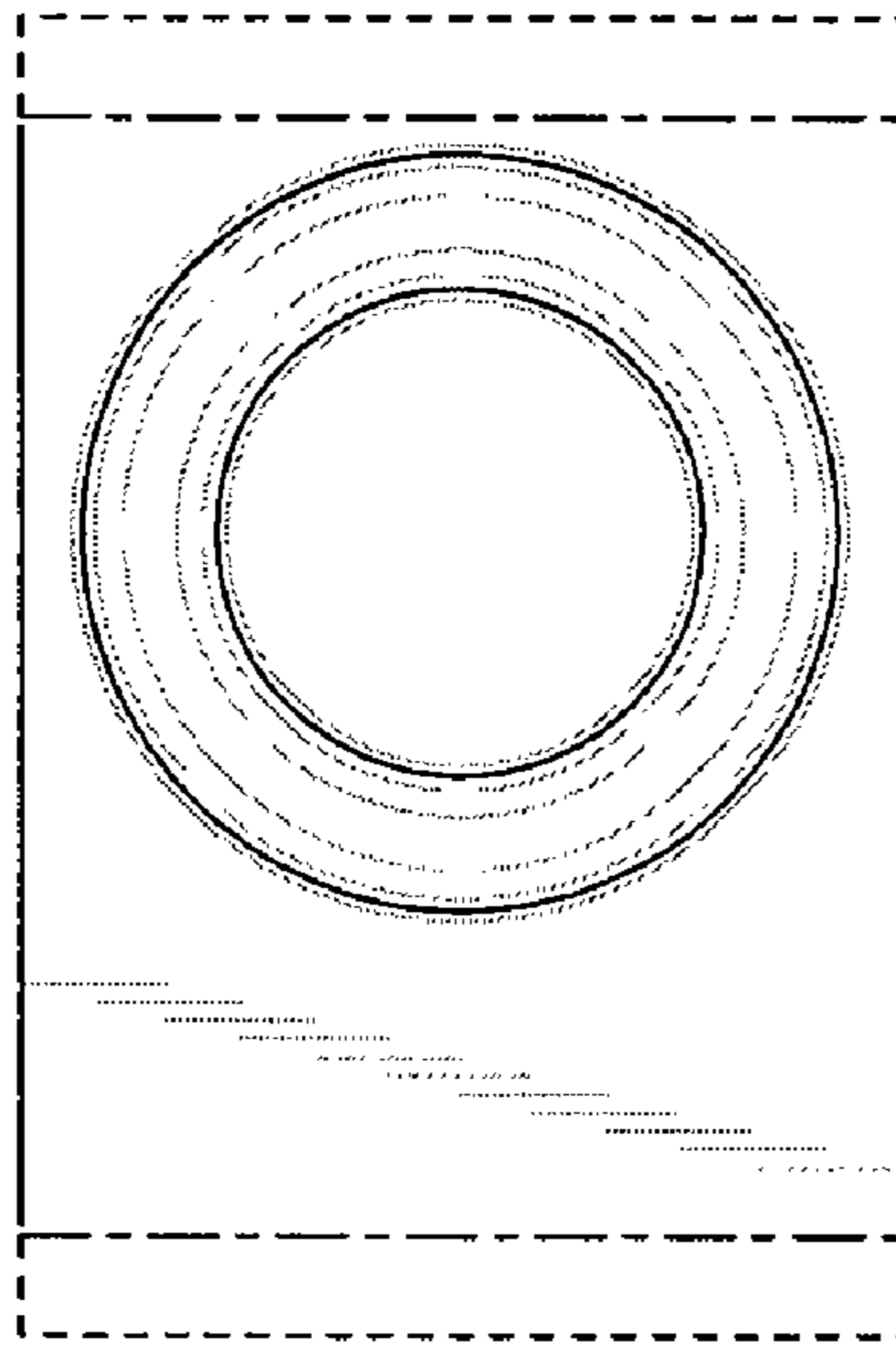


FIG. 2

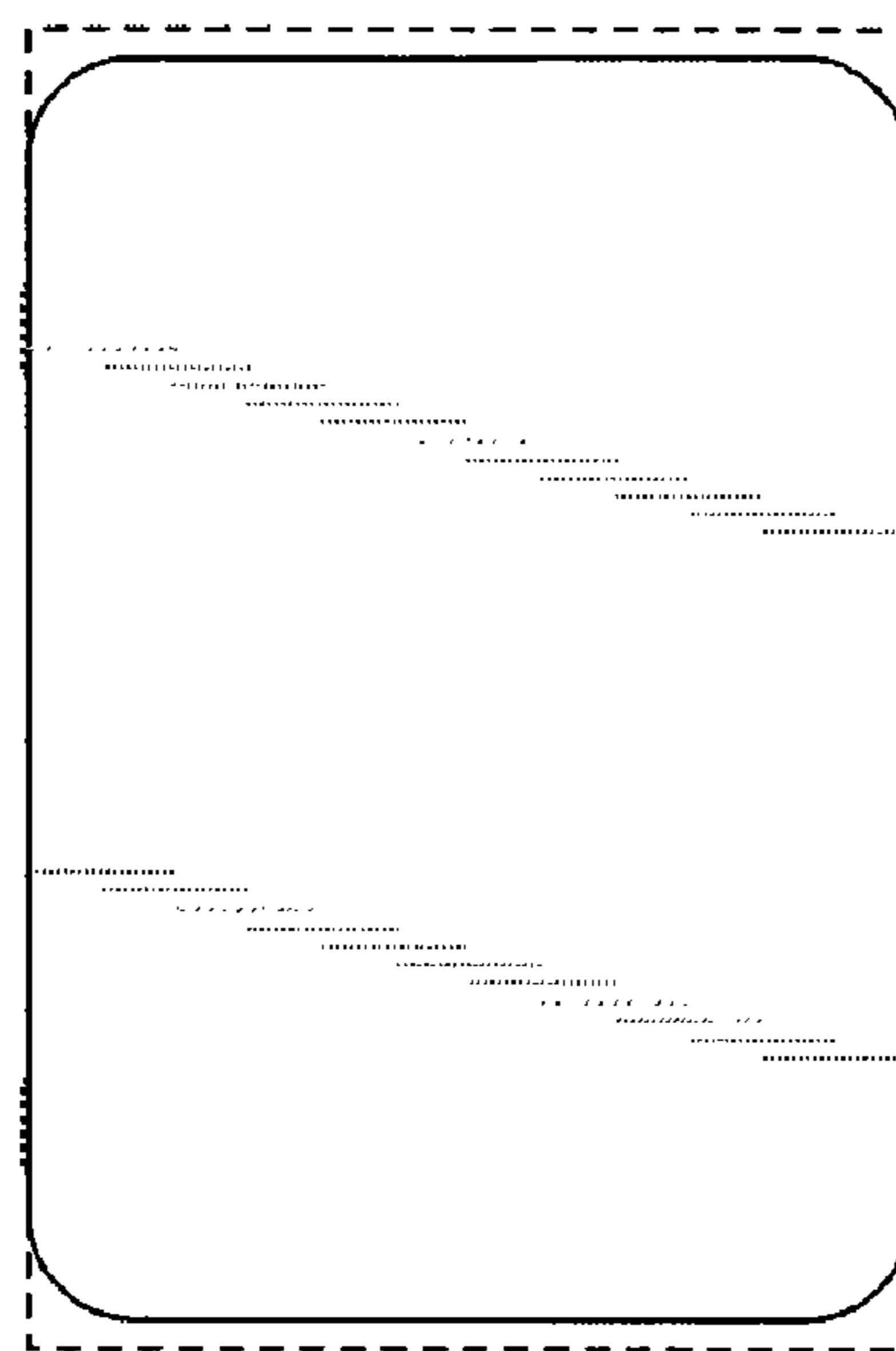


FIG. 3

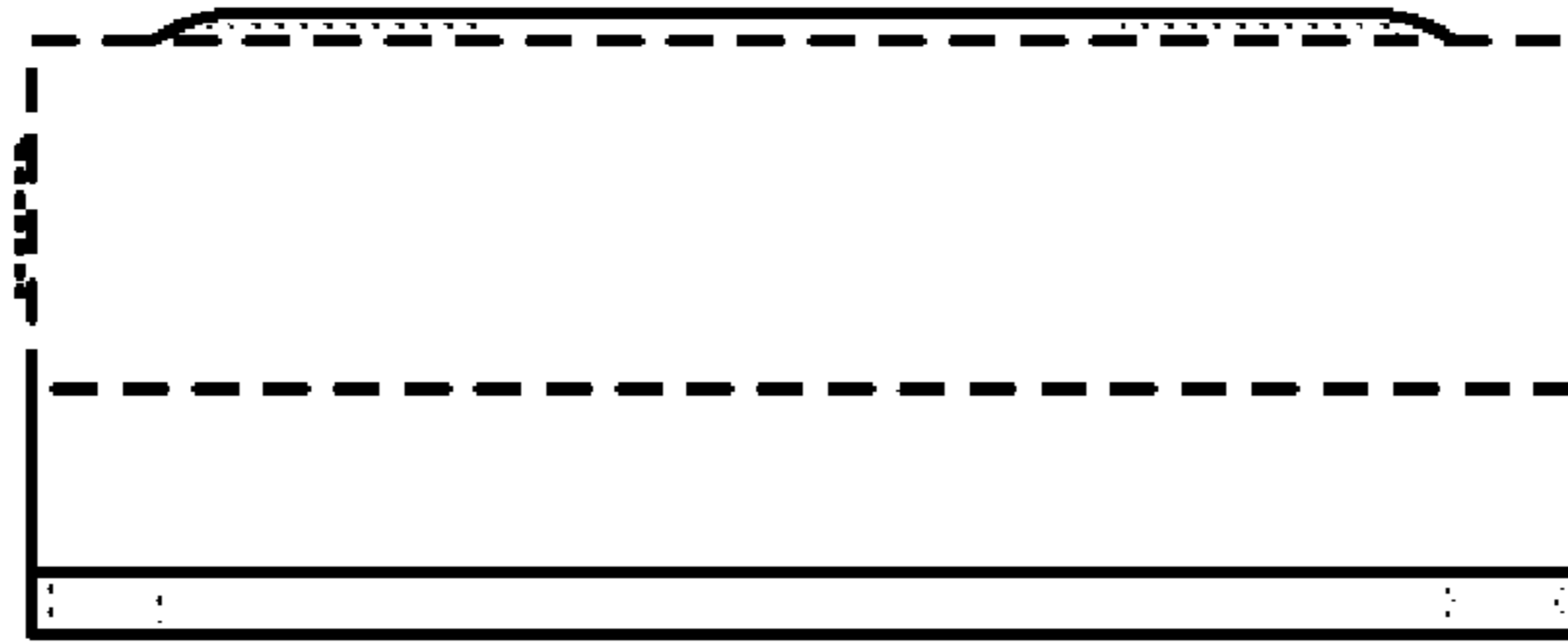


FIG. 4

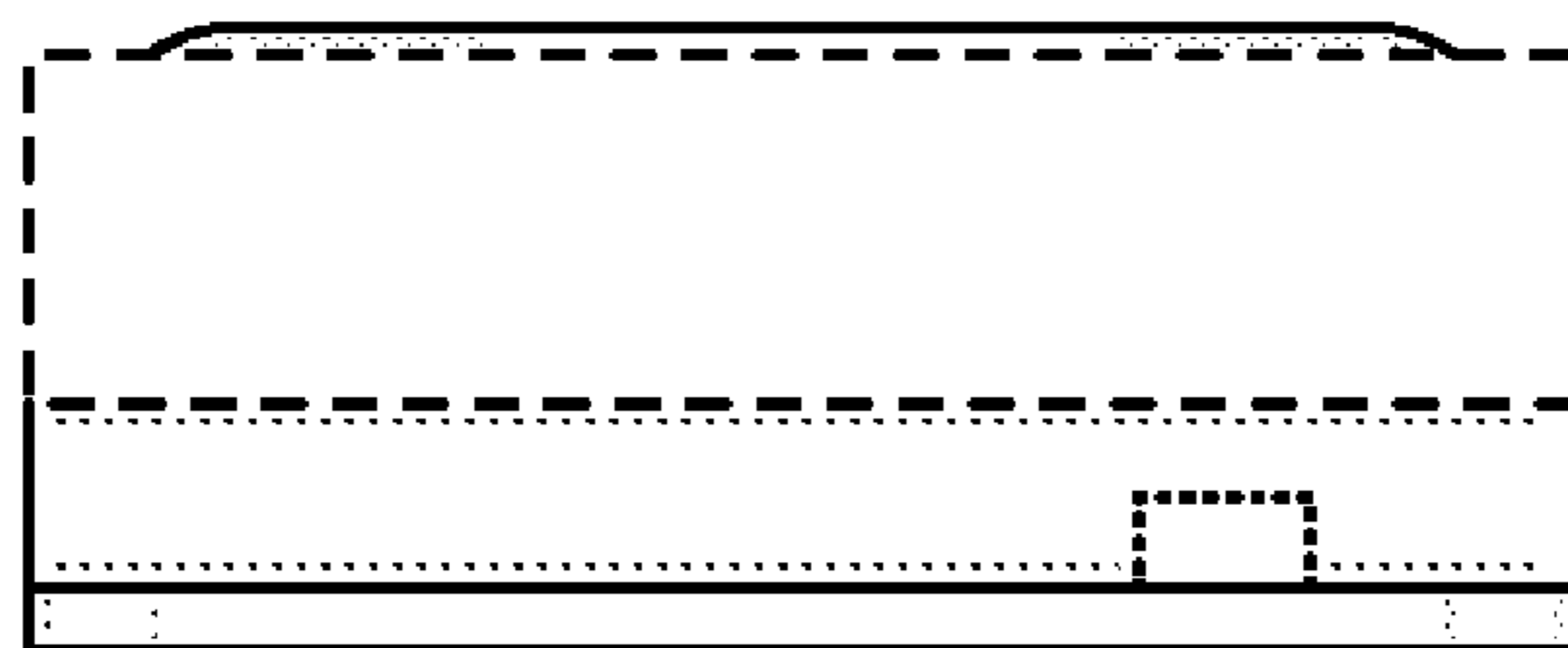


FIG. 5

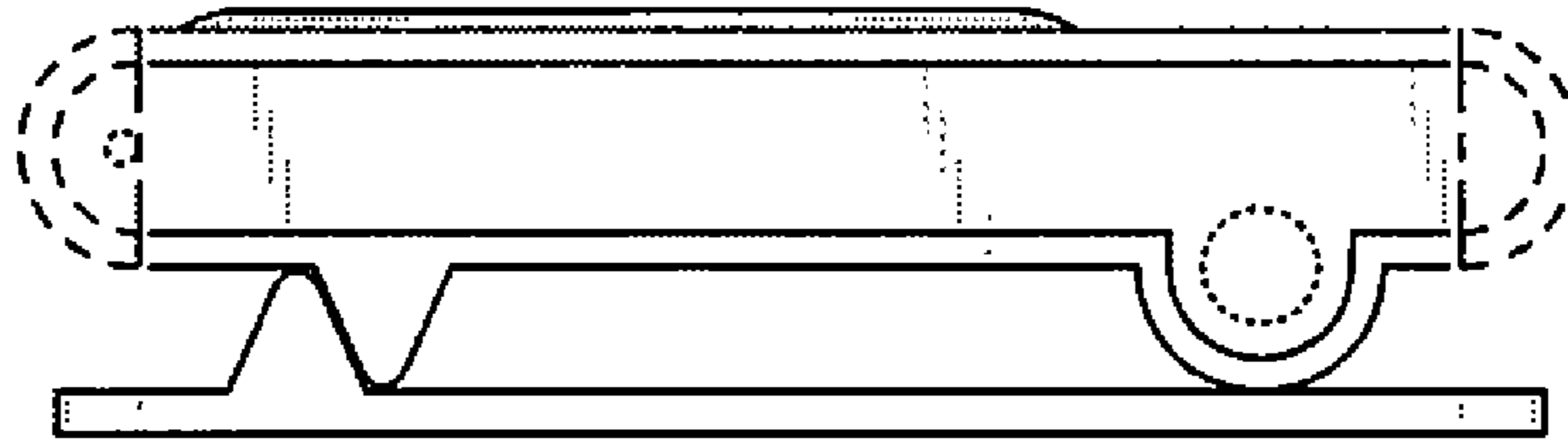


FIG. 6

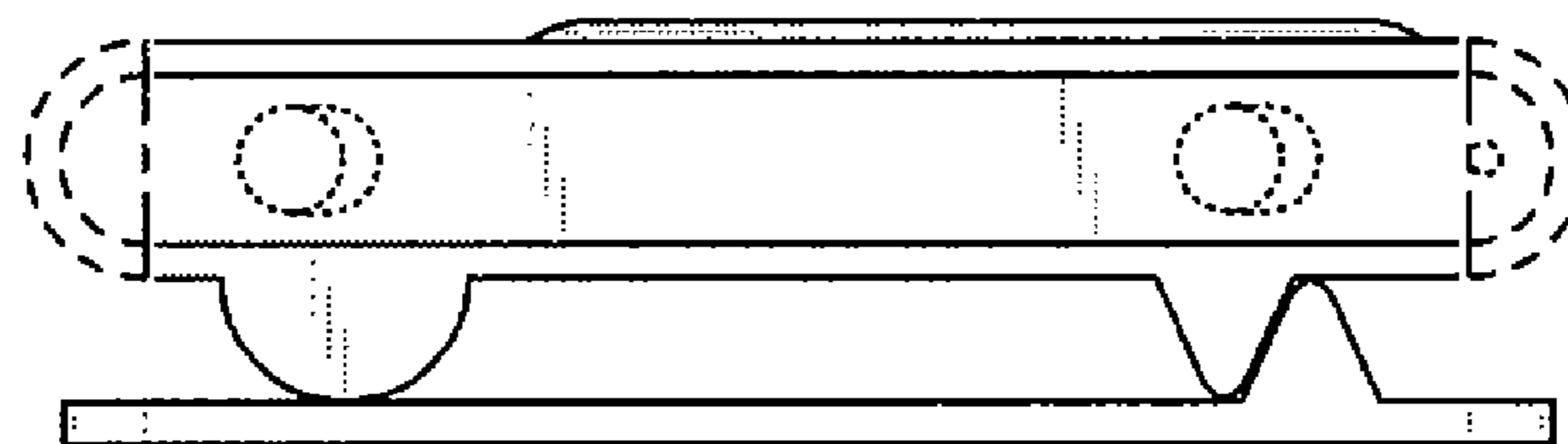


FIG. 7