



US00D601171S

(12) **United States Design Patent**
Shimizu

(10) **Patent No.:** **US D601,171 S**

(45) **Date of Patent:** **** Sep. 29, 2009**

(54) **AUDIO PLAYER**

(75) Inventor: **Yosuke Shimizu**, Tokyo (JP)

(73) Assignee: **Sony Corporation**, Tokyo (JP)

(**) Term: **14 Years**

(21) Appl. No.: **29/265,033**

(22) Filed: **Aug. 24, 2006**

(30) **Foreign Application Priority Data**

Jun. 28, 2006 (JP) 2006-016837

(51) **LOC (9) Cl.** **14-03**

(52) **U.S. Cl.** **D14/496**

(58) **Field of Classification Search** D14/496,
D14/401, 435, 474, 483, 217, 137, 138, 160,
D14/168; 345/156, 169, 173-179, 905; 715/727-729,
715/864; 455/11.1, 773, 344-347, 93, 95;
370/342-344; 369/1, 2, 6, 12; 463/43-47;
273/148 B

See application file for complete search history.

(56) **References Cited**

U.S. PATENT DOCUMENTS

D396,860 S	8/1998	Yasutomi	
D445,776 S	7/2001	Ishii et al.	
D447,470 S	9/2001	Obata	
D481,702 S *	11/2003	Takagi	D14/156
D491,911 S *	6/2004	Jung	D14/156
6,769,603 B2 *	8/2004	Nagai et al.	235/375
D504,409 S *	4/2005	Kim	D14/156
6,932,309 B1 *	8/2005	Corey et al.	248/231.9
D512,404 S *	12/2005	Yang	D14/156
D513,266 S *	12/2005	Shimizu	D14/496
D518,065 S	3/2006	Kobayashi	

7,079,832 B2 *	7/2006	Zalewski et al.	455/405
D530,306 S *	10/2006	Wang et al.	D14/189
D540,817 S *	4/2007	Milstein	D14/496
D547,773 S *	7/2007	Aoki	D14/496
D550,704 S *	9/2007	Ichinose	D14/496

FOREIGN PATENT DOCUMENTS

JP	D1129386 S	12/2001
JP	D1243645 S	6/2005

* cited by examiner

Primary Examiner—Prabhakar Deshmukh
(74) *Attorney, Agent, or Firm*—Rader, Fishman & Grauer, PLLC

(57) **CLAIM**

The ornamental design for an audio player, as shown.

DESCRIPTION

The patent or application file contains at least one drawing executed in color. Copies of this patent or patent application publication with color drawing(s) will be provided by the Office upon request and payment of the necessary fee.

FIG. 1 is a perspective view of an audio player showing my new design;

FIG. 2 is a front elevational view thereof;

FIG. 3 is a rear elevational view thereof;

FIG. 4 is a left side elevational view thereof;

FIG. 5 is a right side elevational view thereof;

FIG. 6 is a top plan view thereof; and,

FIG. 7 is a bottom plan view thereof.

1 Claim, 7 Drawing Sheets
(7 of 7 Drawing Sheet(s) Filed in Color)

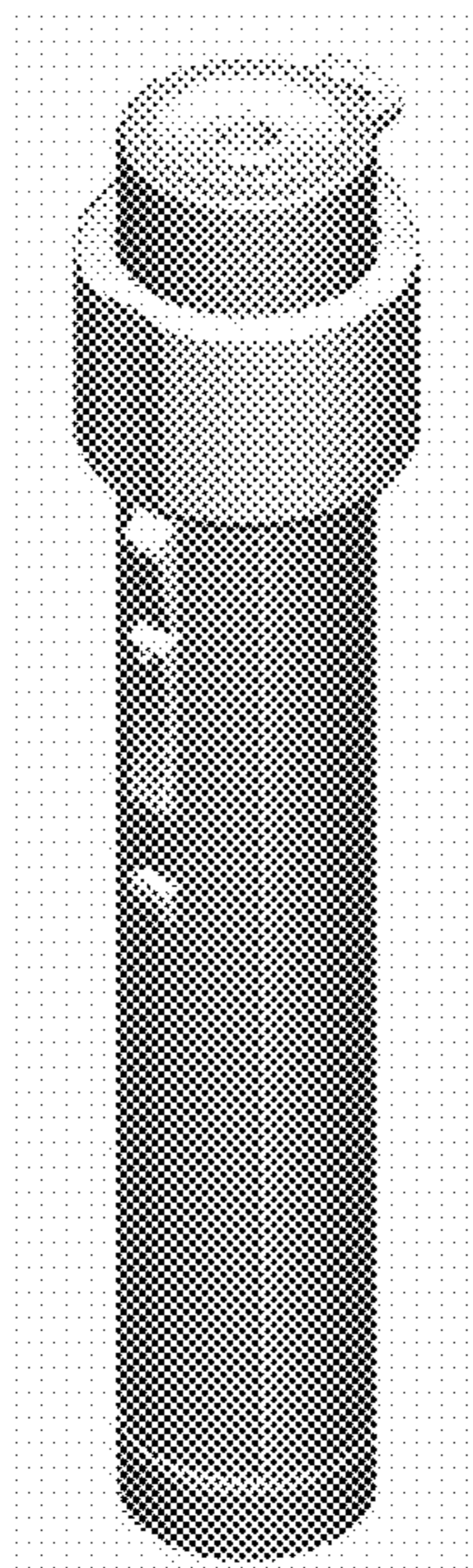


FIG. 1

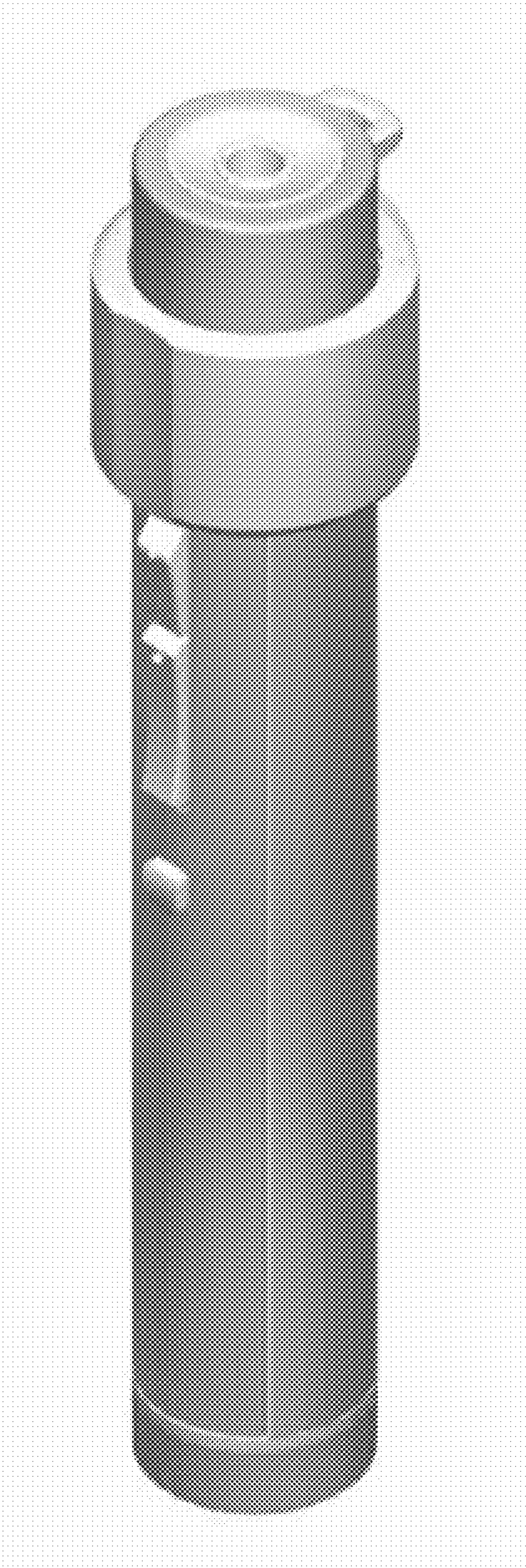


FIG.2

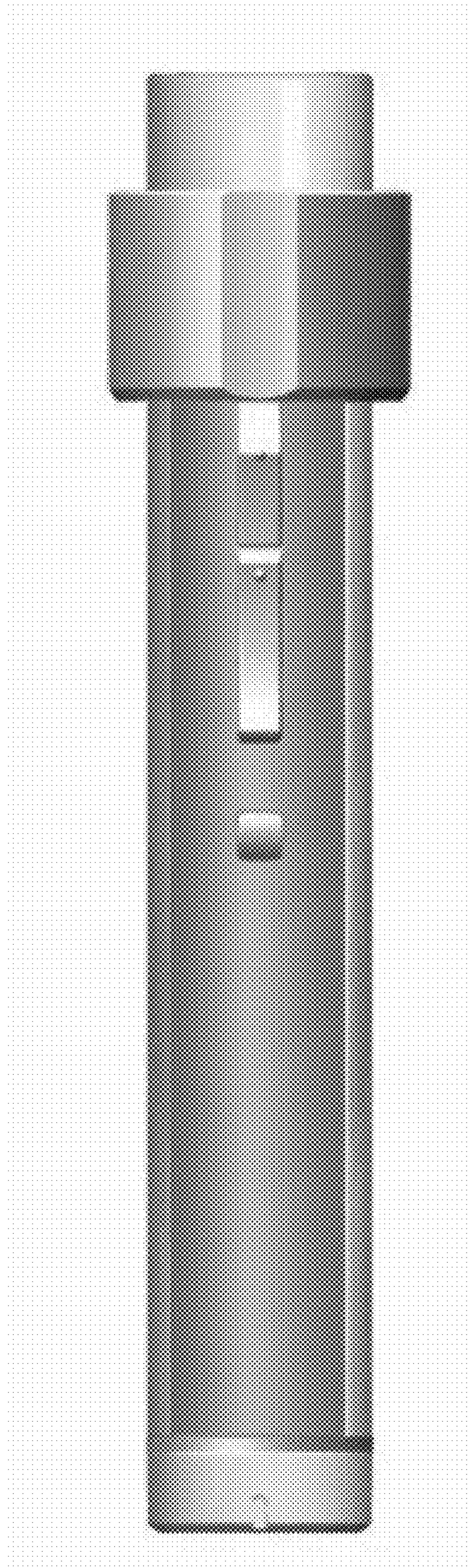


FIG.3

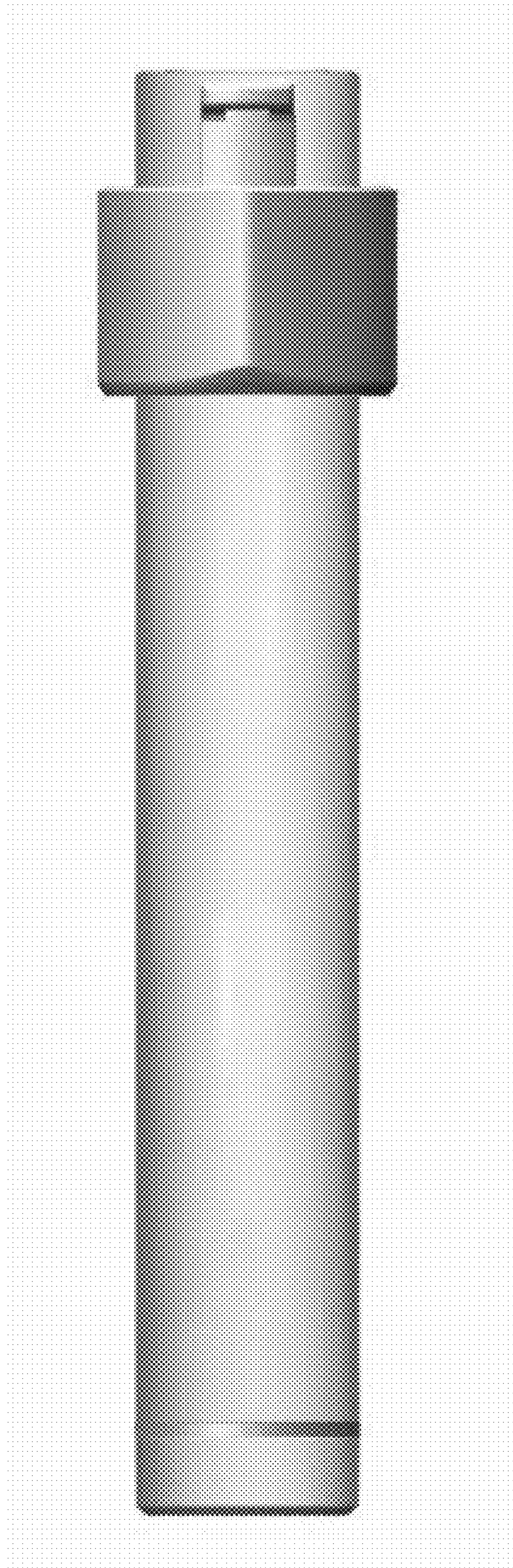


FIG.4

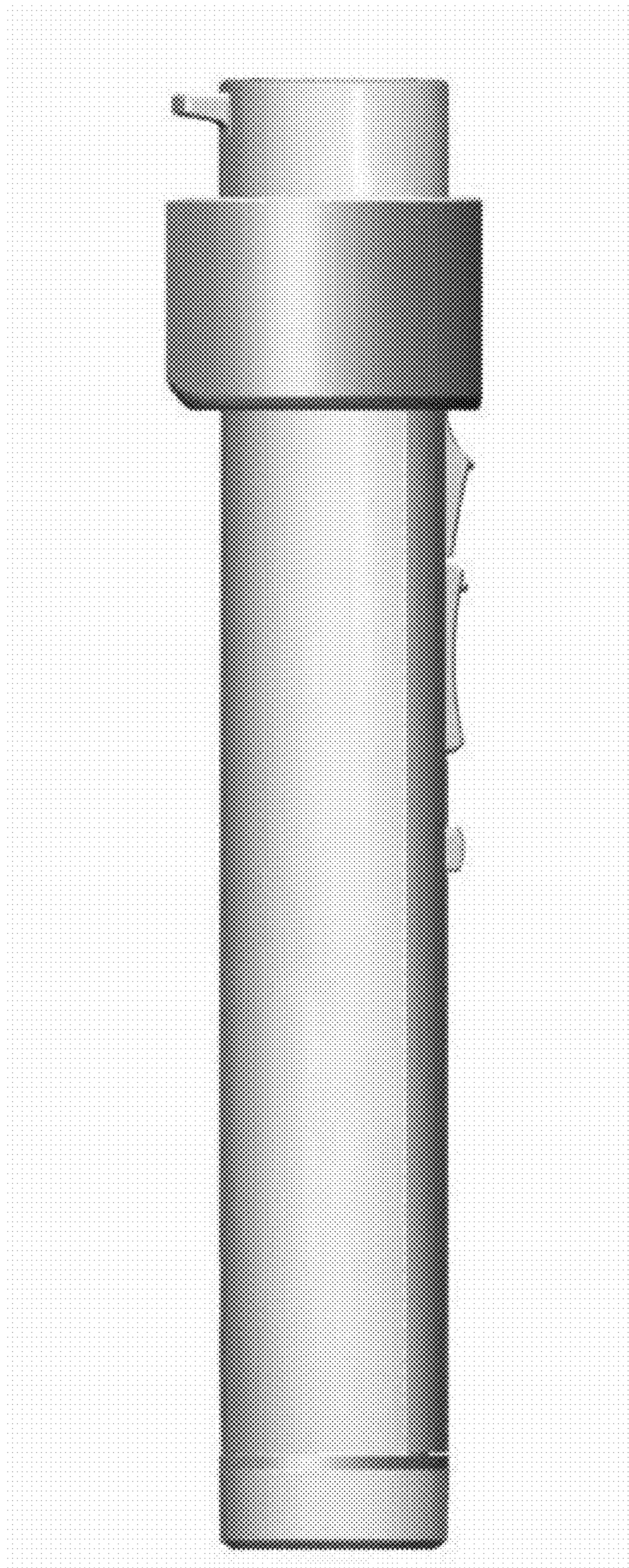


FIG.5

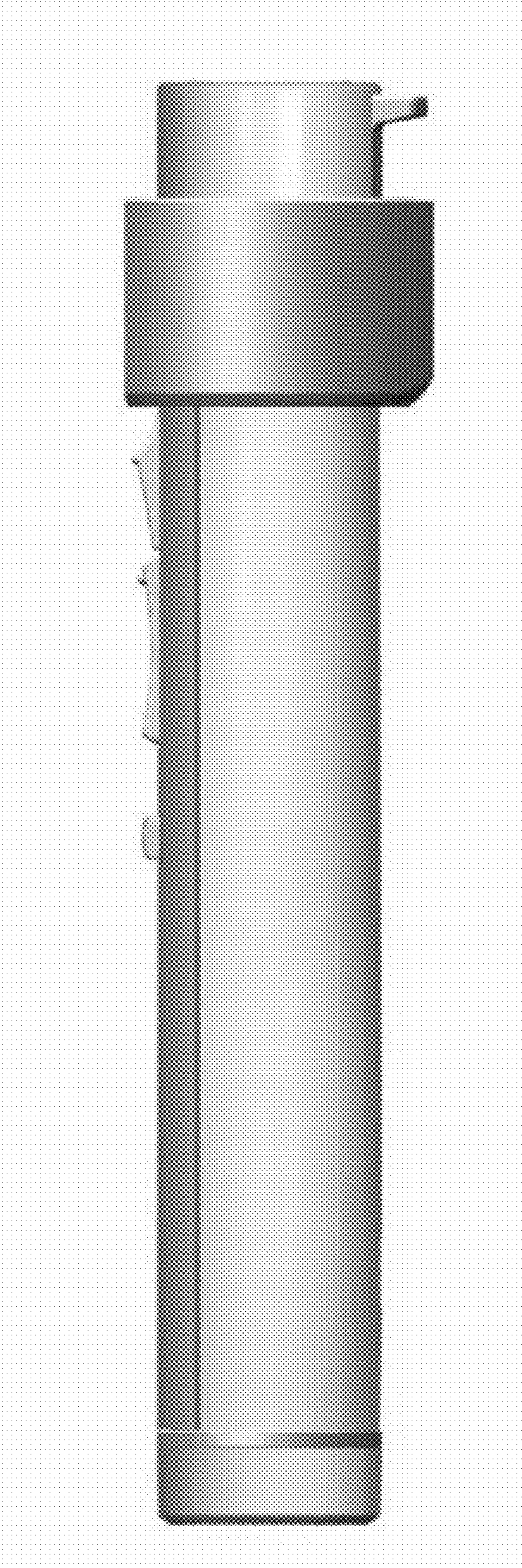


FIG.6



FIG.7

