



US00D601150S

(12) **United States Design Patent**  
**Romero**

(10) **Patent No.:** **US D601,150 S**

(45) **Date of Patent:** **\*\* Sep. 29, 2009**

(54) **CONNECTOR HUB ASSEMBLY**

(75) Inventor: **Paul R. Romero**, Loveland, CO (US)

(73) Assignee: **TYCO Healthcare Group LP**, North Haven, CT (US)

(\*\*) Term: **14 Years**

(21) Appl. No.: **29/333,115**

(22) Filed: **Mar. 3, 2009**

(51) **LOC (9) Cl.** ..... **14-02**

(52) **U.S. Cl.** ..... **D14/433**

(58) **Field of Classification Search** ..... D14/356–358,  
D14/383–387, 432–439, 474, 480.1–480.7,  
D14/483, 484.1, 496, 137, 203.1–203.8, 217,  
D14/238.1, 299; D13/133, 153, 154, 158,  
D13/162, 173, 184, 199; 439/76.1, 131,  
439/447, 449, 452, 455, 502, 607–610

See application file for complete search history.

(56) **References Cited**

**U.S. PATENT DOCUMENTS**

3,682,180	A	8/1972	McFarlane	
5,366,458	A	11/1994	Korthoff et al.	
5,654,598	A	8/1997	Horski	
5,793,352	A *	8/1998	Greenberg et al.	345/699
5,810,606	A	9/1998	Ballast et al.	
D429,483	S *	8/2000	Sweeney et al.	D13/133
D433,994	S *	11/2000	Jobs et al.	D13/110
D435,520	S *	12/2000	Yuyama	D13/158
D444,784	S *	7/2001	Hsin	D14/385
D448,384	S *	9/2001	Adriaansen et al.	D14/433
D448,754	S *	10/2001	Chang	D14/217
D481,682	S *	11/2003	Wu	D13/147
6,824,422	B2	11/2004	Huang	
D514,095	S *	1/2006	Wilson et al.	D14/223
D519,454	S *	4/2006	Christianson	D13/133
D524,295	S *	7/2006	Jacobson et al.	D14/218
D561,762	S *	2/2008	Mori	D14/434

D566,044	S *	4/2008	D'Arco et al.	D13/133
D570,823	S *	6/2008	Duarte et al.	D14/205
D578,128	S *	10/2008	Lee et al.	D14/433
D578,546	S *	10/2008	Fullerton	D14/496
D591,678	S *	5/2009	Whitley et al.	D13/133

\* cited by examiner

*Primary Examiner*—Cathron C Brooks

*Assistant Examiner*—Deanna Fluegeman

(57) **CLAIM**

The ornamental design for a connector hub assembly, as shown and described.

**DESCRIPTION**

FIG. 1 is a top, front, perspective view of the connector hub assembly of the present design;

FIG. 2 is a top plan view of the connector hub assembly of FIG. 1;

FIG. 3 is a bottom plan view of the connector hub assembly of FIG. 1;

FIG. 4 is a front elevation view of the connector hub assembly of FIG. 1;

FIG. 5 is a rear elevation view of the connector hub assembly of FIG. 1;

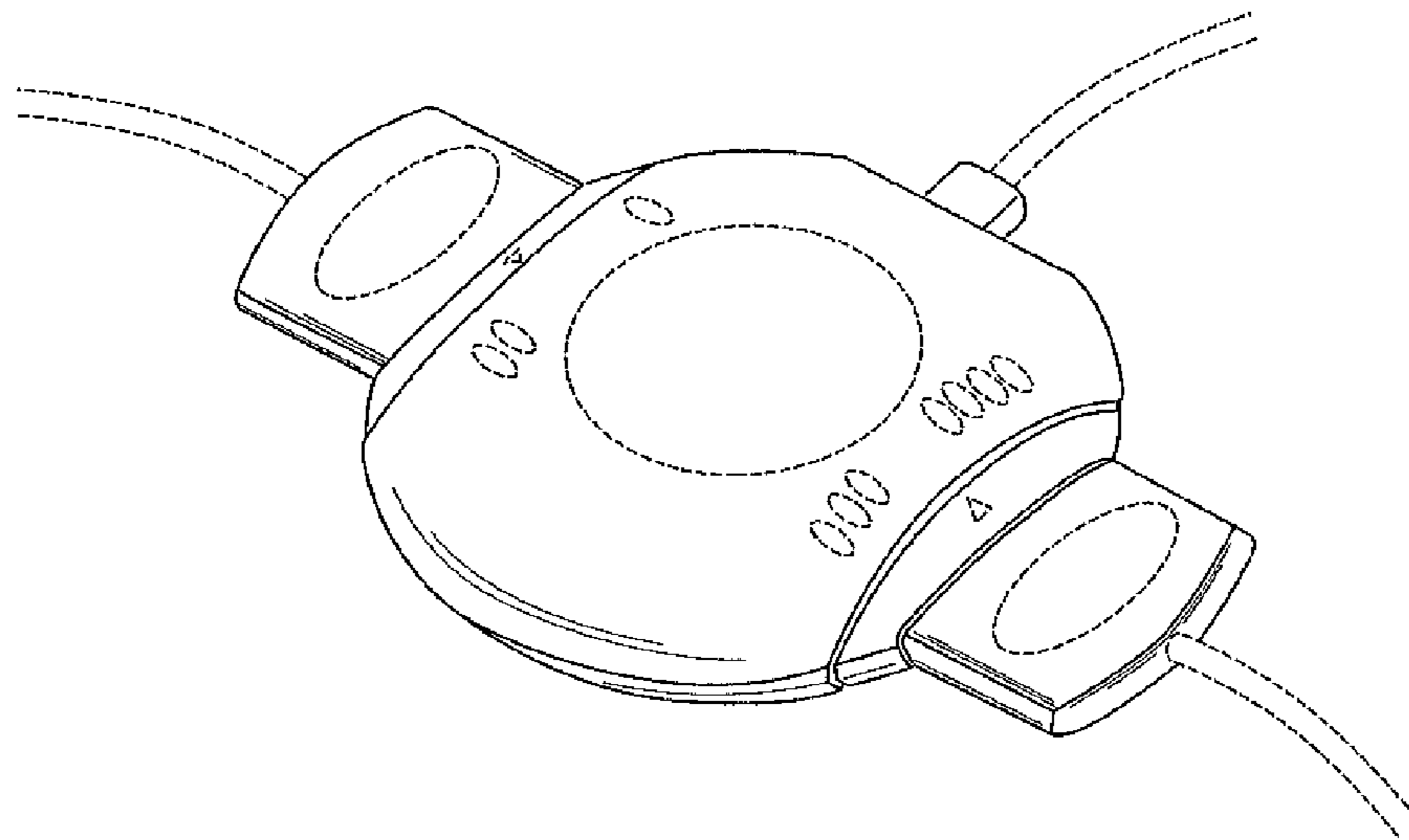
FIG. 6 is a right, side elevation view of the connector hub assembly of FIG. 1; and,

FIG. 7 is a left, side elevation view of the connector hub assembly of FIG. 1.

In FIGS. 1–7, the features of the connector hub assembly shown in phantom lines are for illustrative purposes only and do not constitute a part of the claimed design.

The broken lines in the drawings illustrate unclaimed portions of the connector hub assembly and form no part of the claimed design.

**1 Claim, 2 Drawing Sheets**



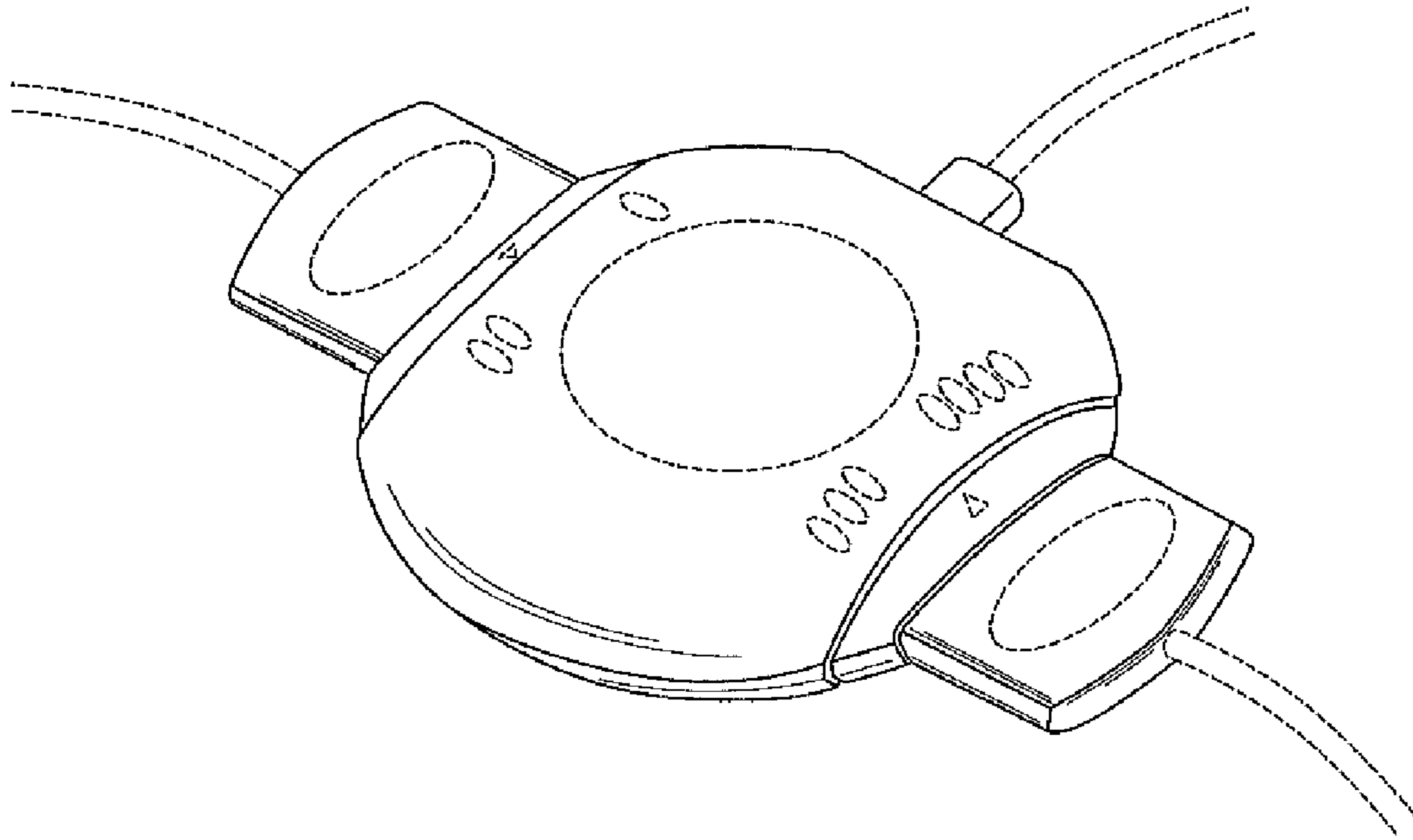


FIG. 1

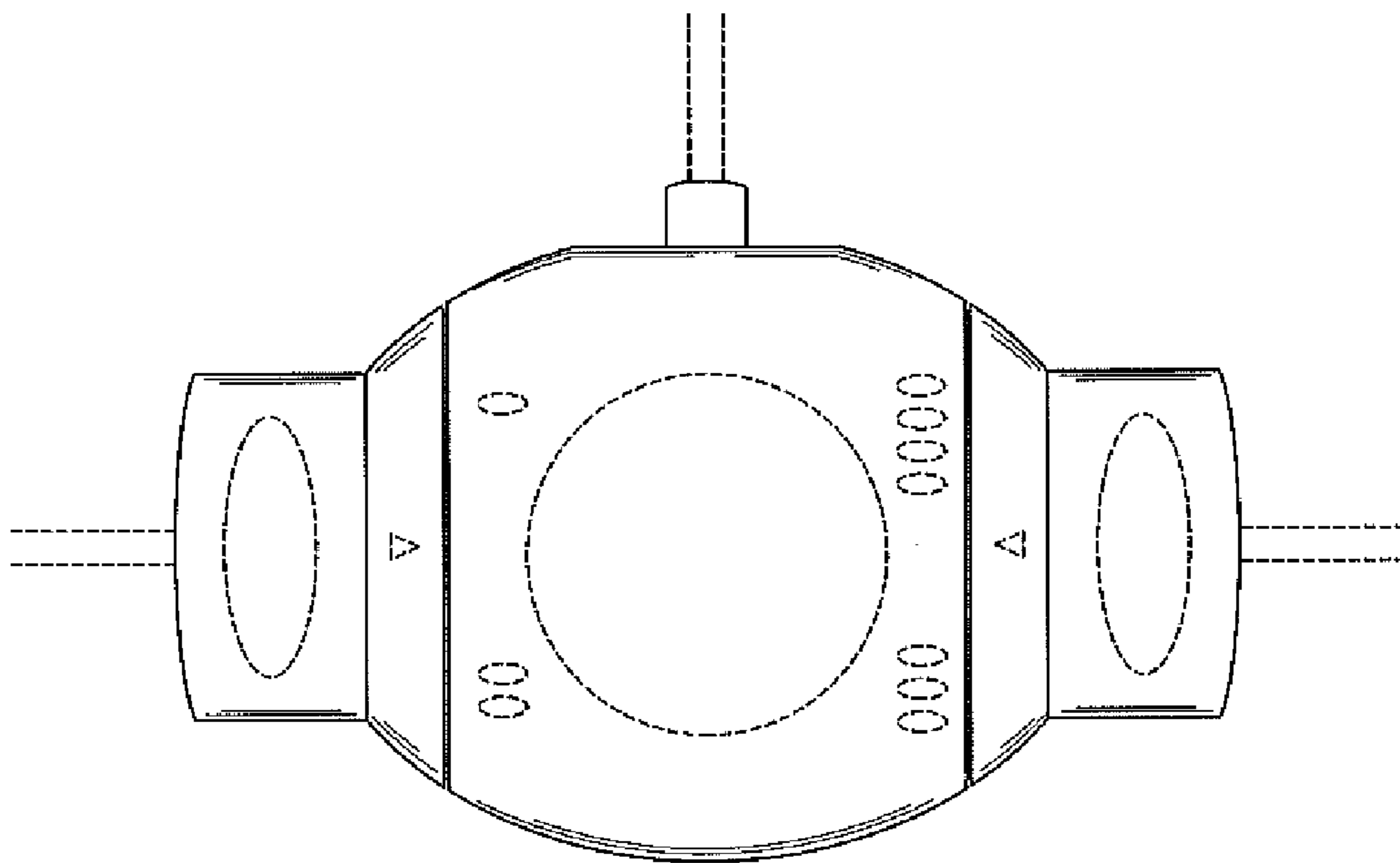


FIG. 2

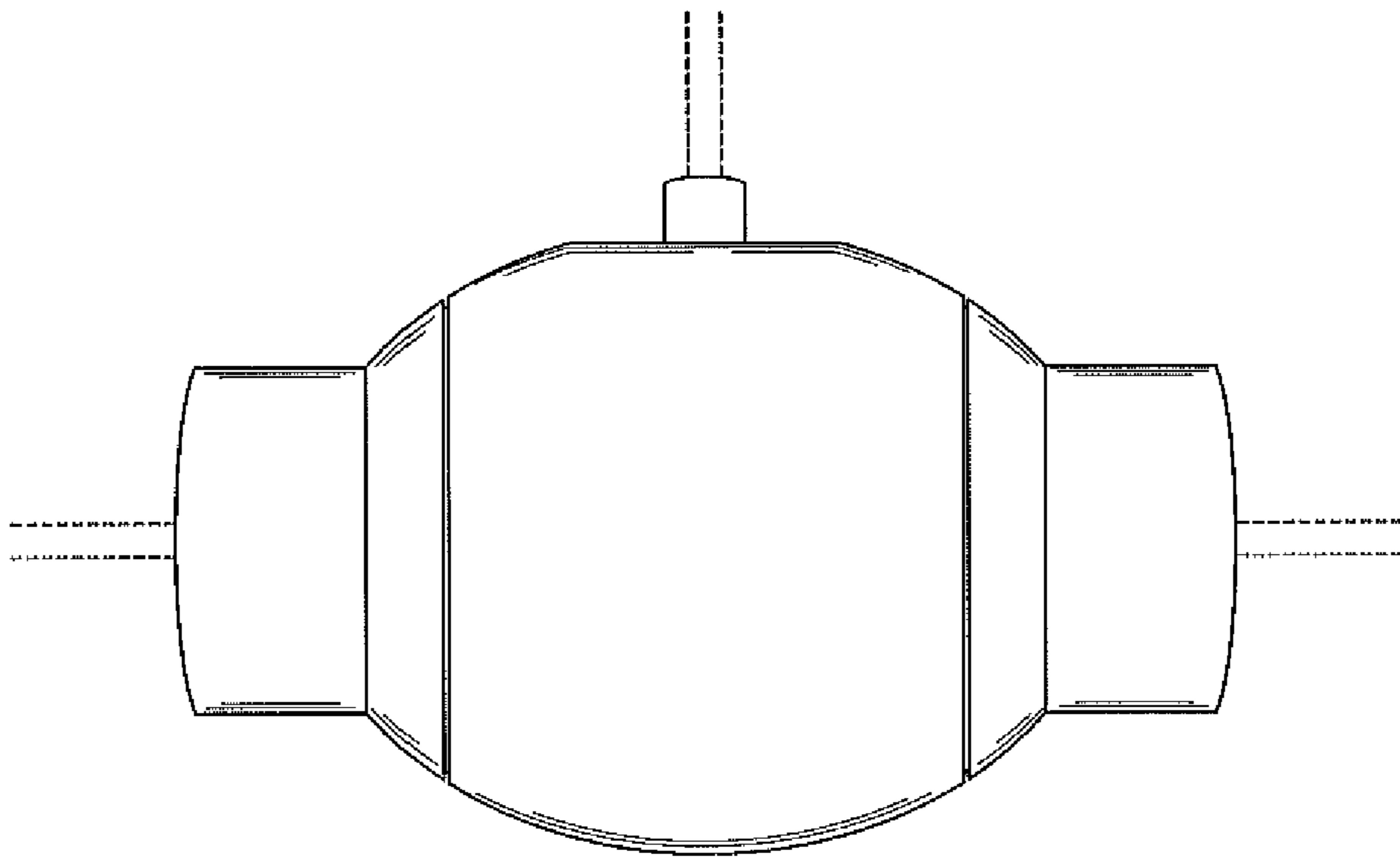


FIG. 3

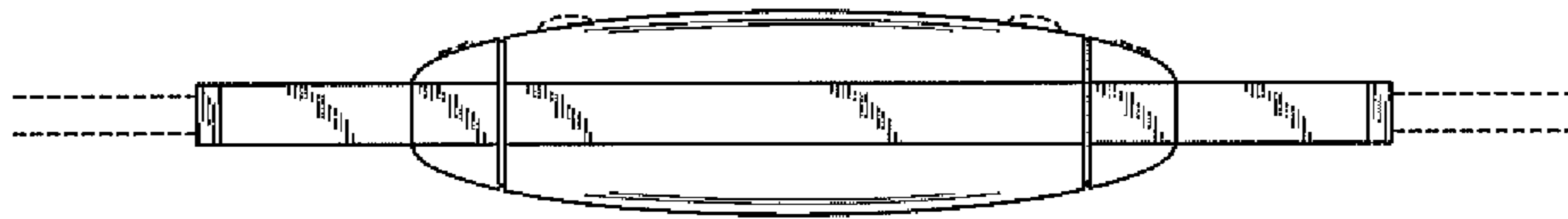


FIG. 4

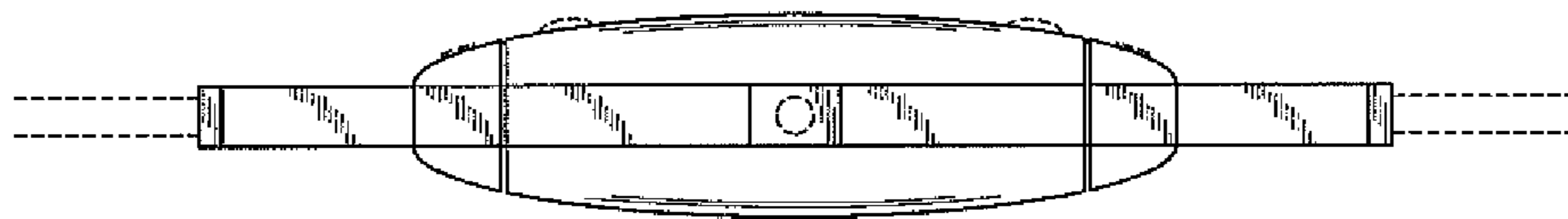


FIG. 5

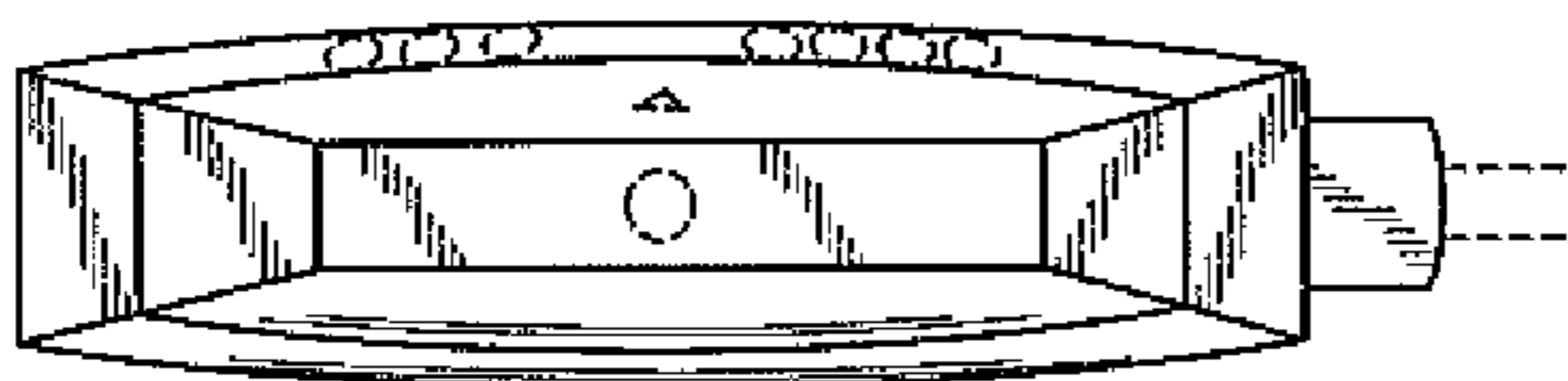


FIG. 6



FIG. 7