



US00D601148S

(12) **United States Design Patent**
Akita

(10) **Patent No.:** **US D601,148 S**
(45) **Date of Patent:** **** Sep. 29, 2009**

(54) **KEYBOARD**

(75) Inventor: **Miho Akita**, Tokyo (JP)

(73) Assignee: **Sony Corporation**, Tokyo (JP)

(**) Term: **14 Years**

(21) Appl. No.: **29/287,090**

(22) Filed: **Jun. 26, 2007**

(30) **Foreign Application Priority Data**

Dec. 27, 2006 (JP) D2006-035828

(51) **LOC (9) Cl.** **14-02**

(52) **U.S. Cl.** **D14/391**

(58) **Field of Classification Search** D14/391-393,
D14/395, 396-399, 336, 443; D18/1, 2,
D18/6, 7; 200/5 A, 5 R, 6 A, 6 R; 178/17 A,
178/17 C; 235/145 A, 145 R; 341/22, 23;
345/160, 168, 172; 400/484-489, 492, 472;
361/680-686; 455/575, 575.1

See application file for complete search history.

(56) **References Cited**

U.S. PATENT DOCUMENTS

D353,585 S * 12/1994 Lucente et al. D14/397
D375,492 S * 11/1996 Chung D14/396
5,717,430 A * 2/1998 Copland et al. 345/168

D397,688 S 9/1998 Goto
D412,324 S 7/1999 Oba
6,215,420 B1 * 4/2001 Harrison et al. 341/22
6,604,877 B2 * 8/2003 Cheng 400/472
D503,711 S * 4/2005 Fukami et al. D14/396
D509,505 S * 9/2005 Brazil et al. D14/391
D527,004 S * 8/2006 Yen D14/396
D528,117 S 9/2006 Shimizu

* cited by examiner

Primary Examiner—Freda S Nunn

(74) *Attorney, Agent, or Firm*—Rader, Fishman & Grauer, PLLC

(57) **CLAIM**

The ornamental design for a keyboard, as shown.

DESCRIPTION

FIG. 1 is a perspective view of a keyboard showing my new design;

FIG. 2 is a front elevational view thereof;

FIG. 3 is a rear elevation view thereof;

FIG. 4 is a left side elevational view thereof;

FIG. 5 is a right side elevational view thereof;

FIG. 6 is a top plan view thereof; and,

FIG. 7 is a bottom plan view thereof.

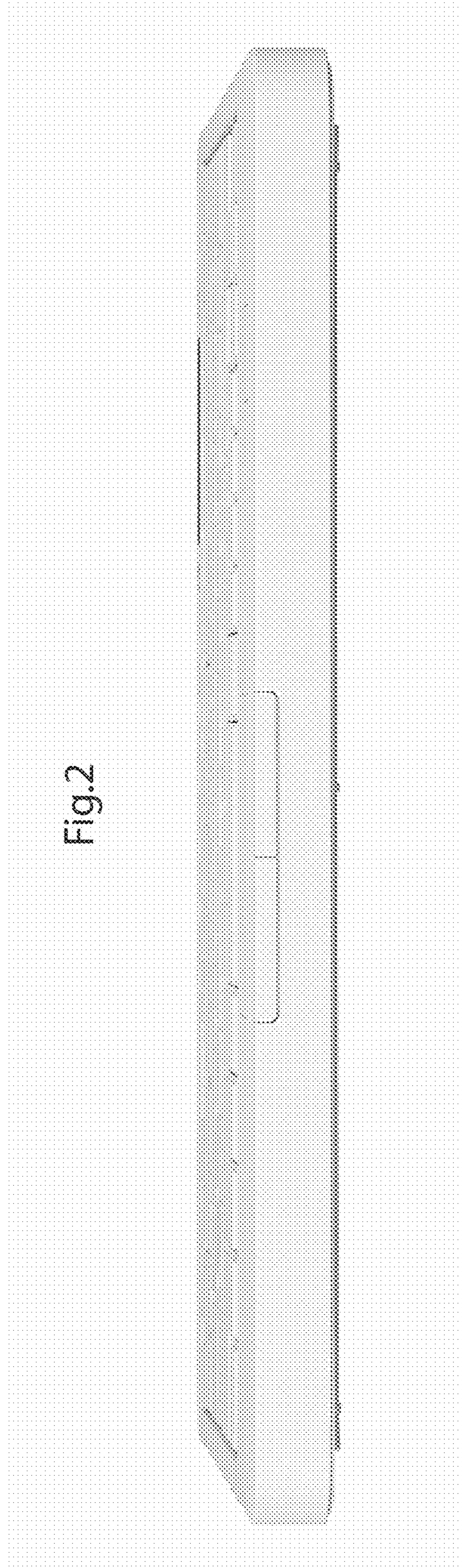
1 Claim, 7 Drawing Sheets



Fig. 1



Fig.2



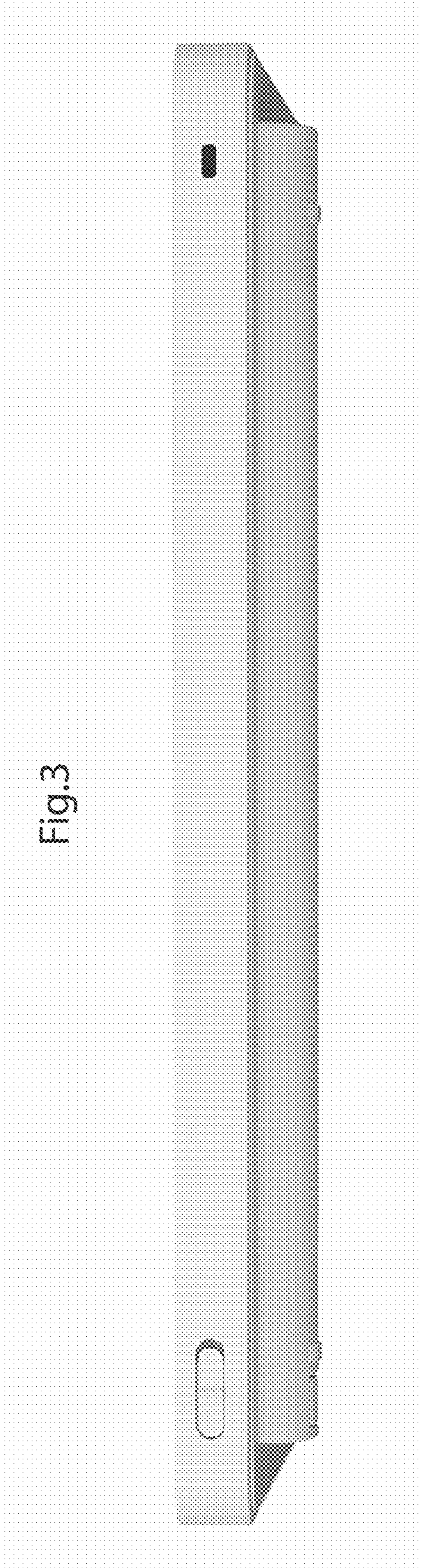
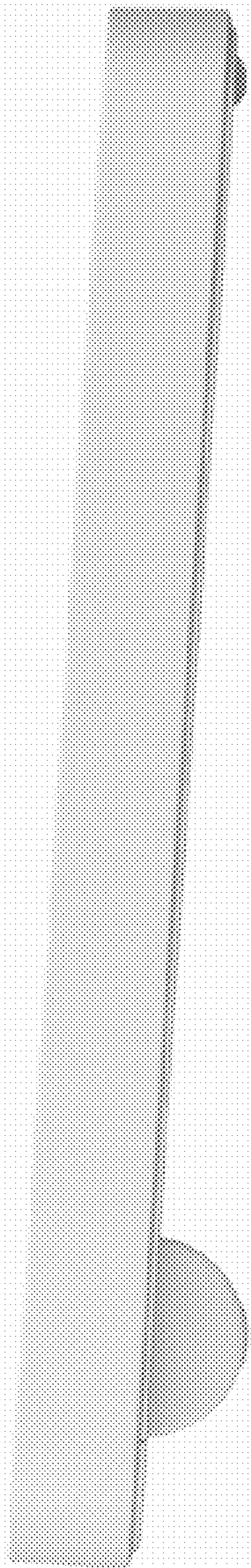


Fig.3

Fig.4



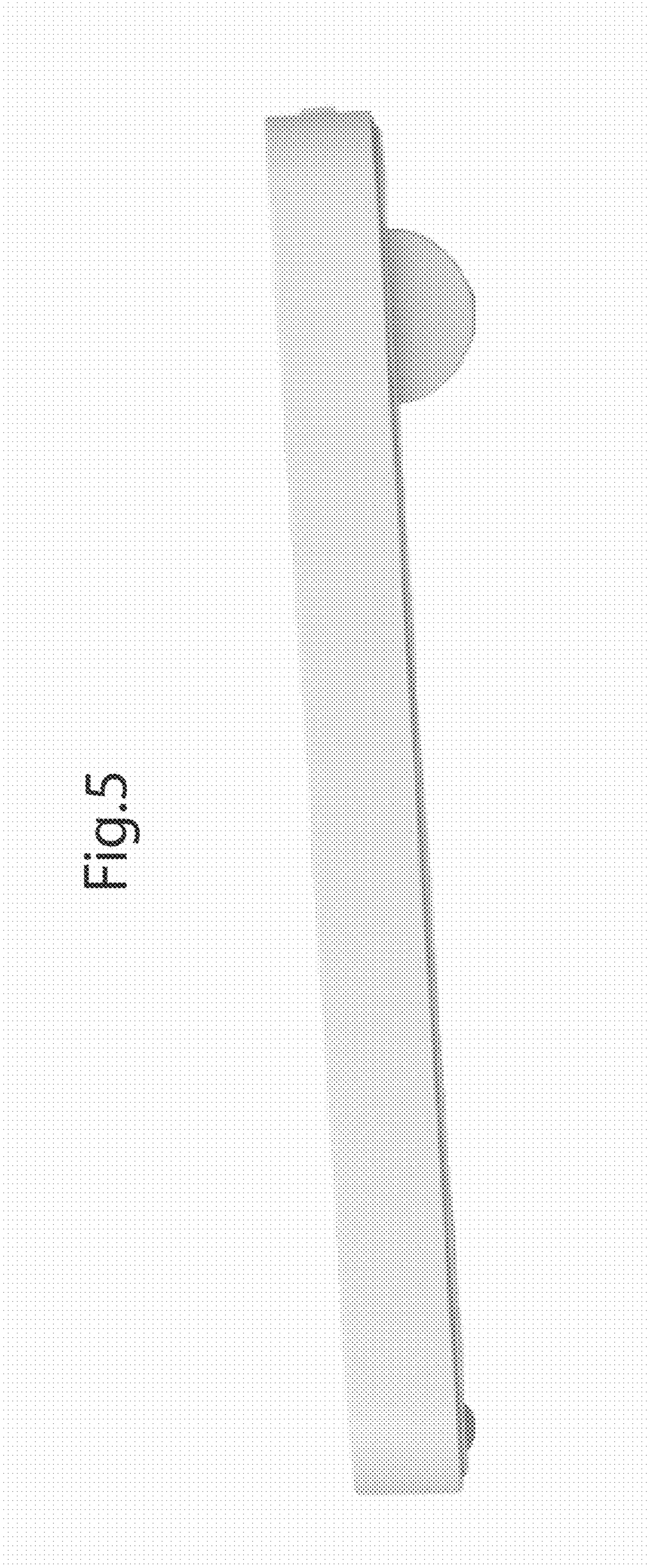


Fig. 5

Fig.6

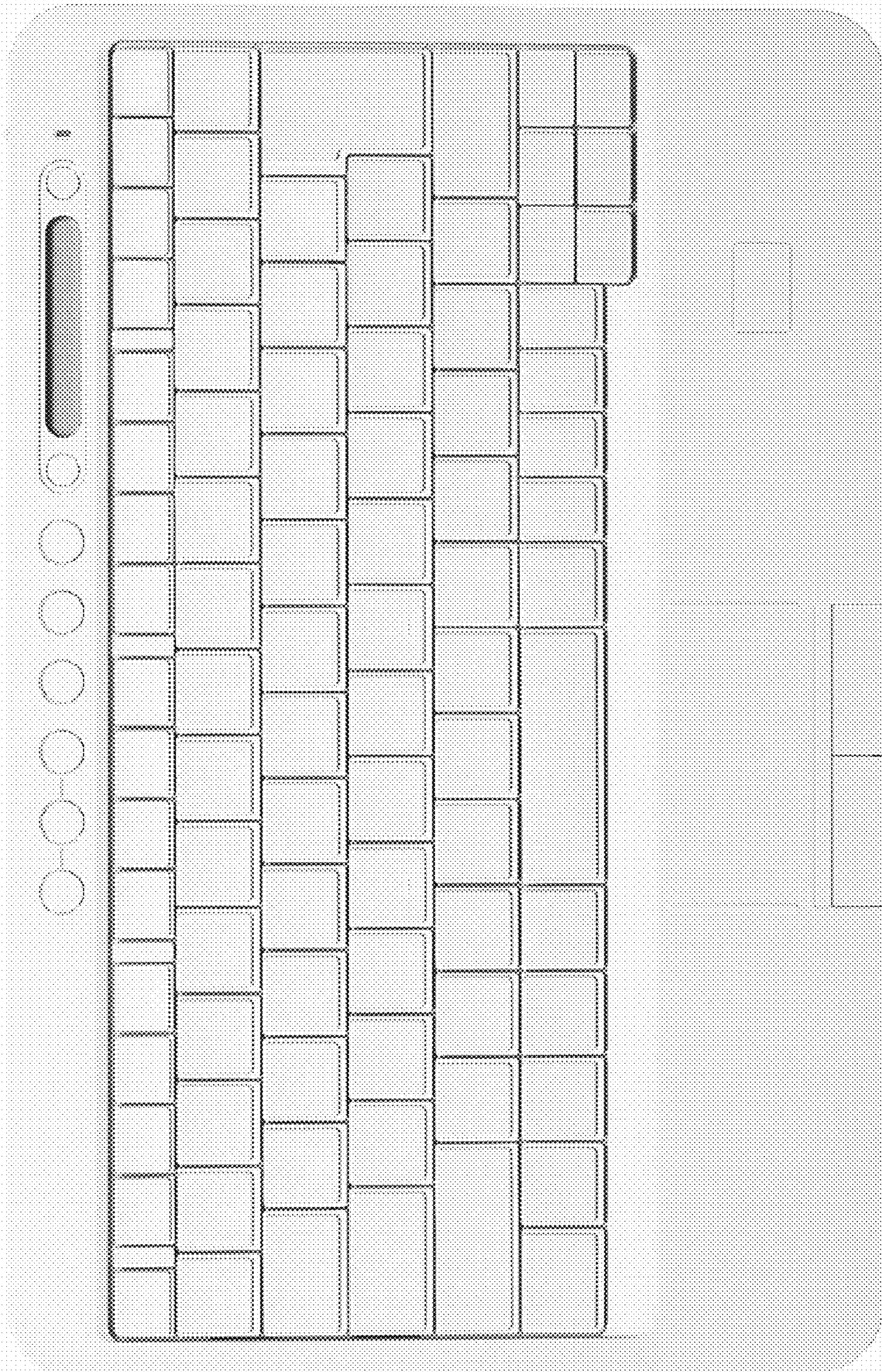


Fig.7

