



US00D601145S

(12) **United States Design Patent**
Chiu

(10) **Patent No.:** **US D601,145 S**
(45) **Date of Patent:** **** Sep. 29, 2009**

- (54) **DISPLAY**
- (75) Inventor: **Yi-Chung Chiu**, Taoyuan County (TW)
- (73) Assignee: **Hannspre, Inc.**, Taipei (TW)
- (**) Term: **14 Years**
- (21) Appl. No.: **29/330,141**
- (22) Filed: **Dec. 30, 2008**
- (51) **LOC (9) Cl.** **14-02**
- (52) **U.S. Cl.** **D14/371**
- (58) **Field of Classification Search** D14/371-375,
D14/126-129, 315, 318, 336, 337; 341/12;
345/104, 156, 168, 173, 87, 901-905; 348/180,
348/184, 373, 739; 349/1, 2, 58, 62; 248/917-924
See application file for complete search history.

- D483,367 S * 12/2003 Olson et al. D14/375
- D484,130 S * 12/2003 Olson et al. D14/375
- D497,363 S * 10/2004 Olson et al. D14/371
- D528,084 S * 9/2006 Wilson D14/126
- D529,007 S * 9/2006 Rhoades et al. D14/126
- D533,151 S * 12/2006 Wilson D14/126

* cited by examiner

Primary Examiner—Freda S Nunn
(74) *Attorney, Agent, or Firm*—Guice Patents PLLC

(56) **References Cited**
U.S. PATENT DOCUMENTS

- D439,900 S * 4/2001 Baek D14/374
- D457,160 S * 5/2002 Goto D14/371
- D481,038 S * 10/2003 Borsboom et al. D14/375
- D483,360 S * 12/2003 Ma D14/371

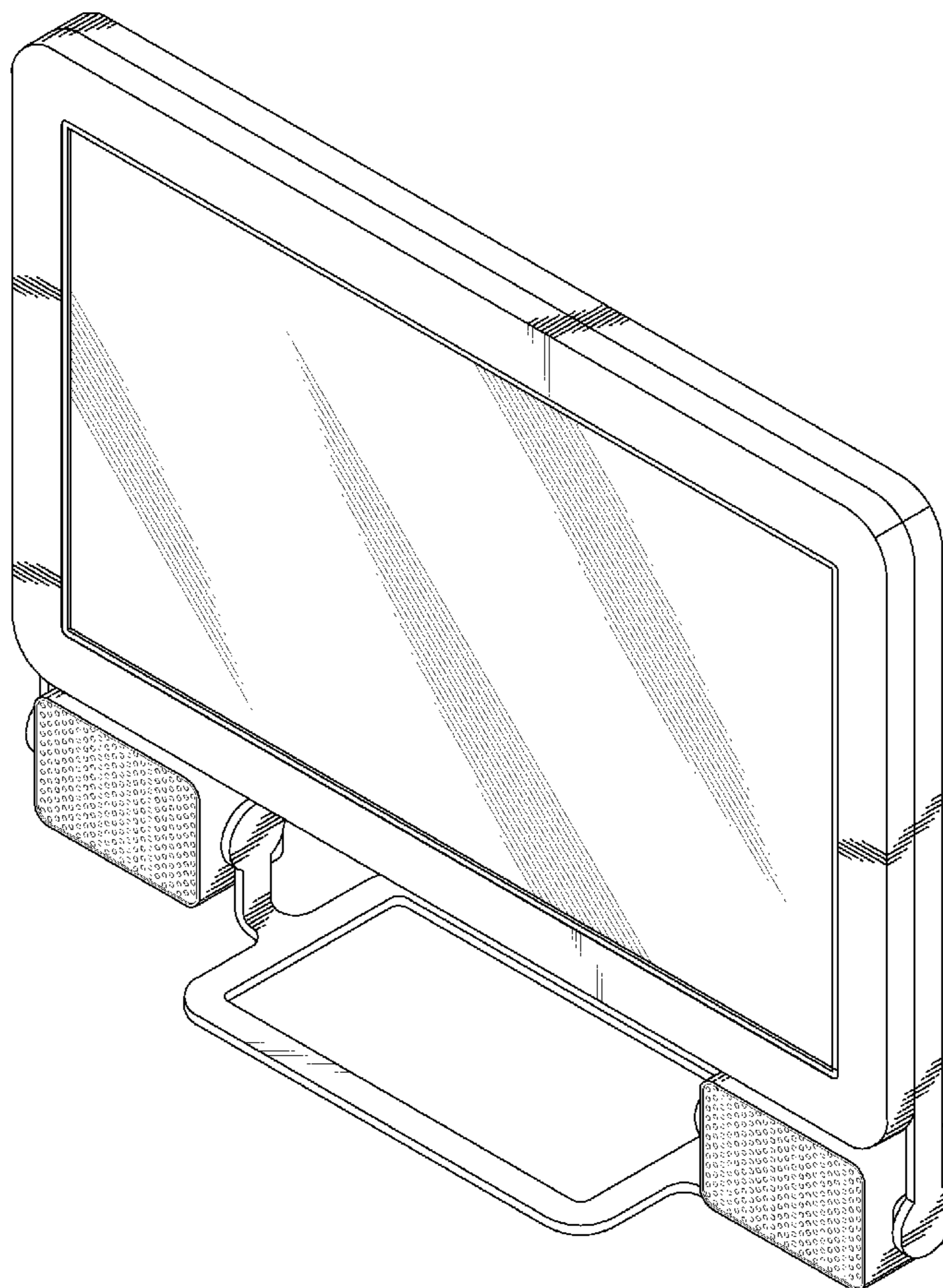
(57) **CLAIM**

The ornamental design for display, as shown and described.

DESCRIPTION

FIG. 1 is a perspective view of display showing the design;
FIG. 2 is a front side view thereof;
FIG. 3 is a top plan view thereof;
FIG. 4 is a bottom plan view thereof;
FIG. 5 is a rear side view thereof;
FIG. 6 is a left side view thereof; and,
FIG. 7 is a right side view thereof;

1 Claim, 5 Drawing Sheets



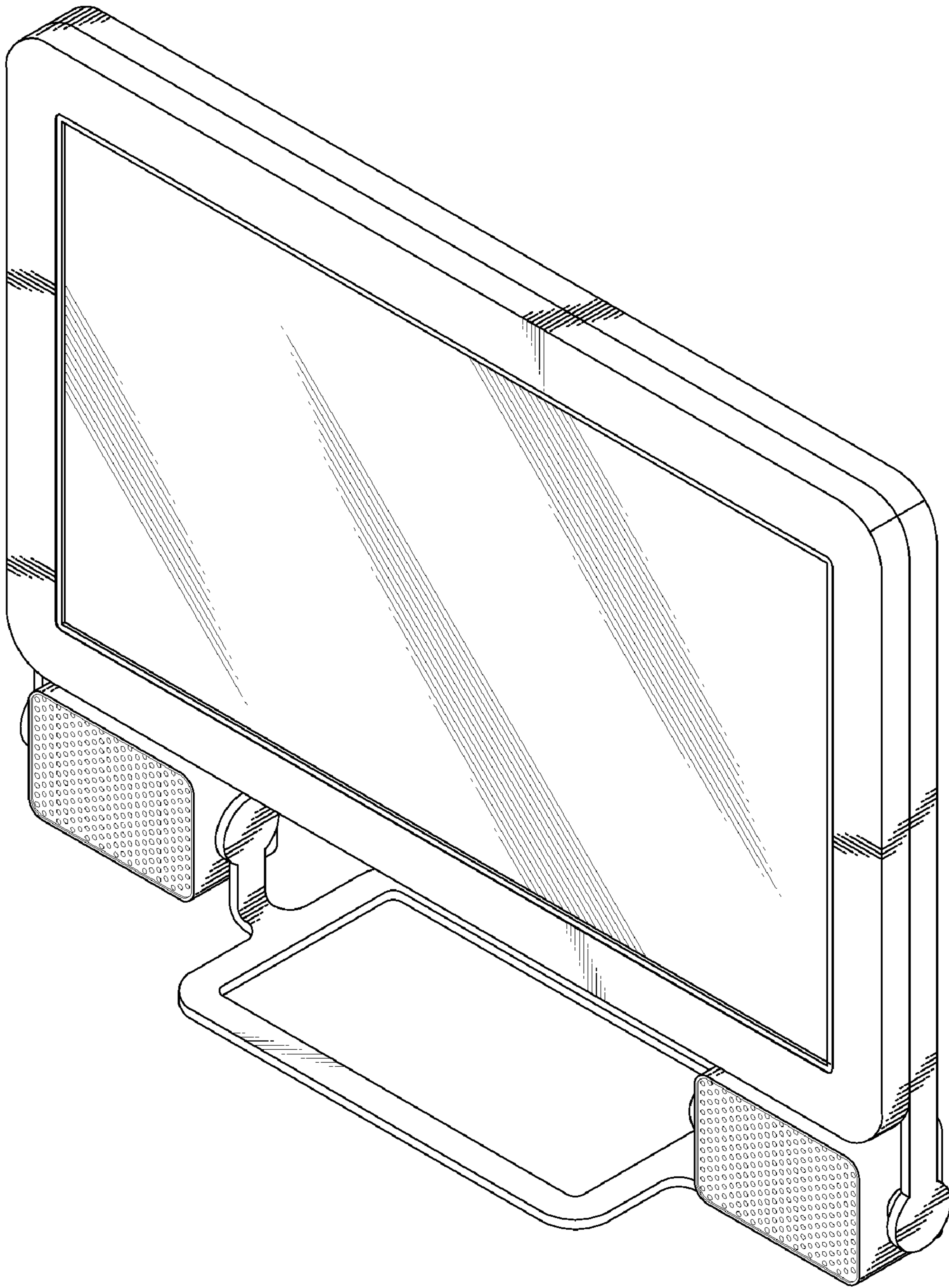


FIG. 1

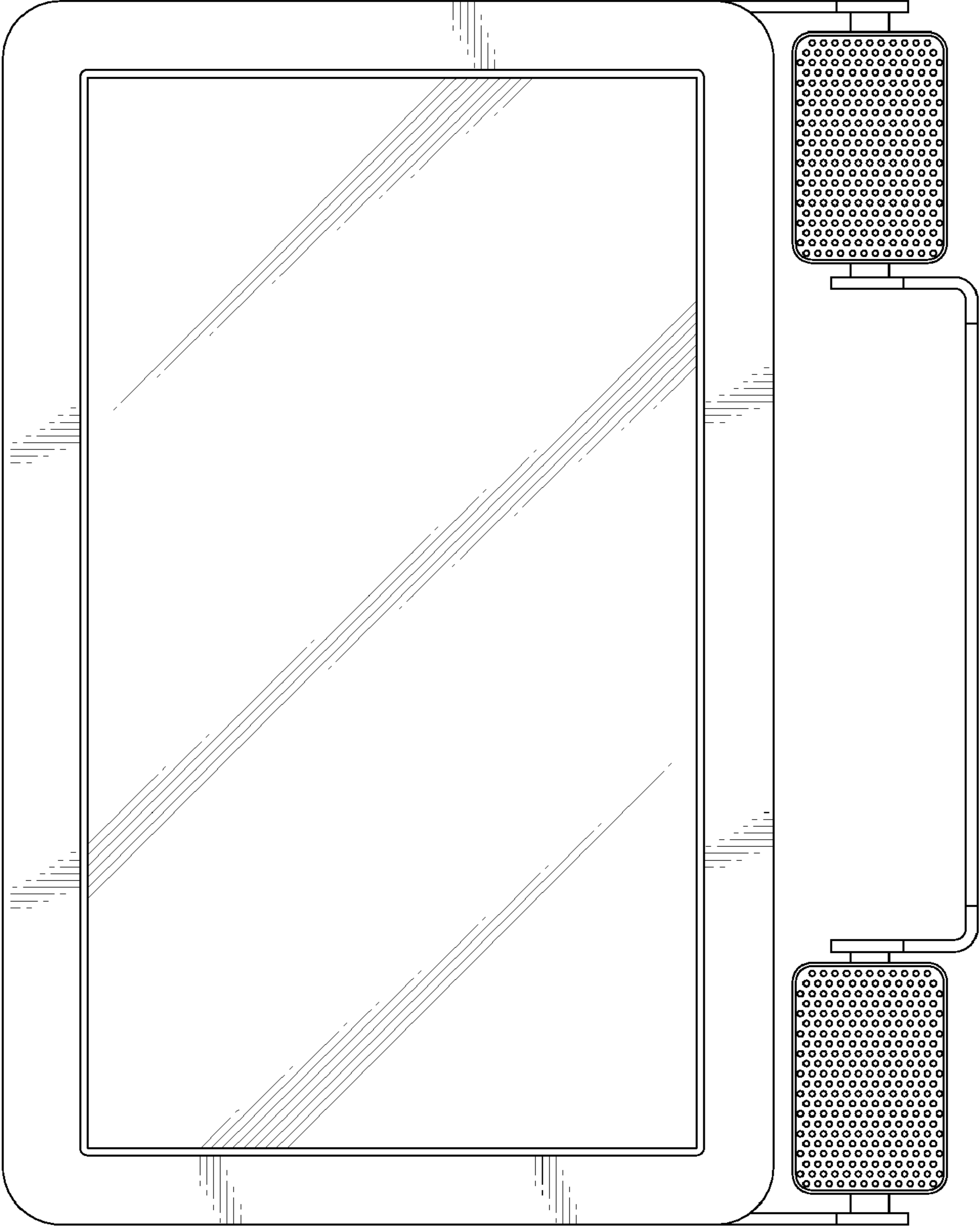


FIG. 2

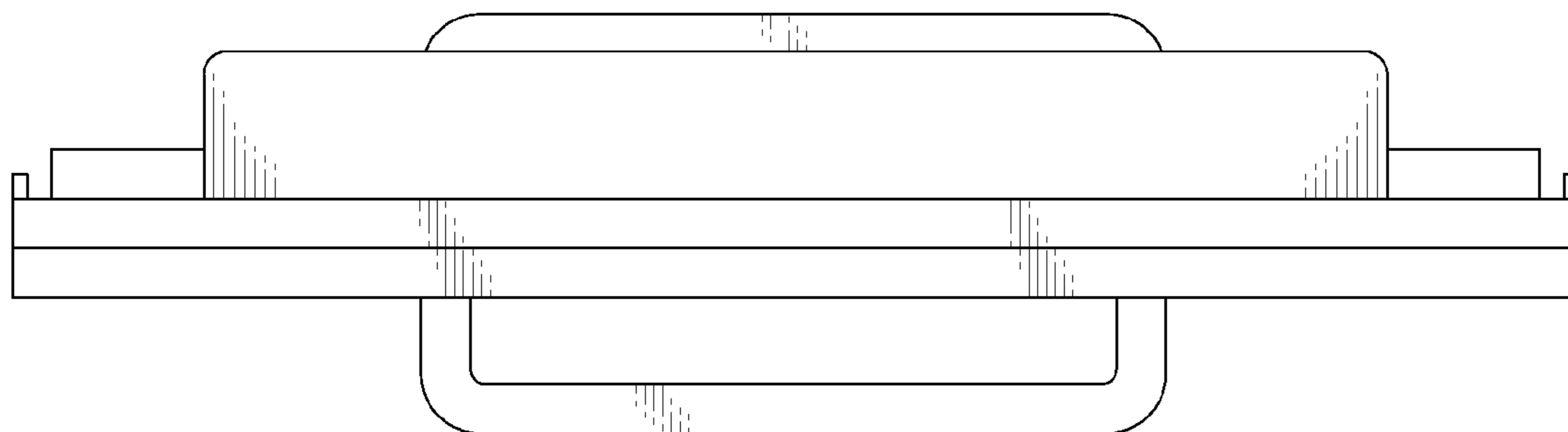


FIG. 3

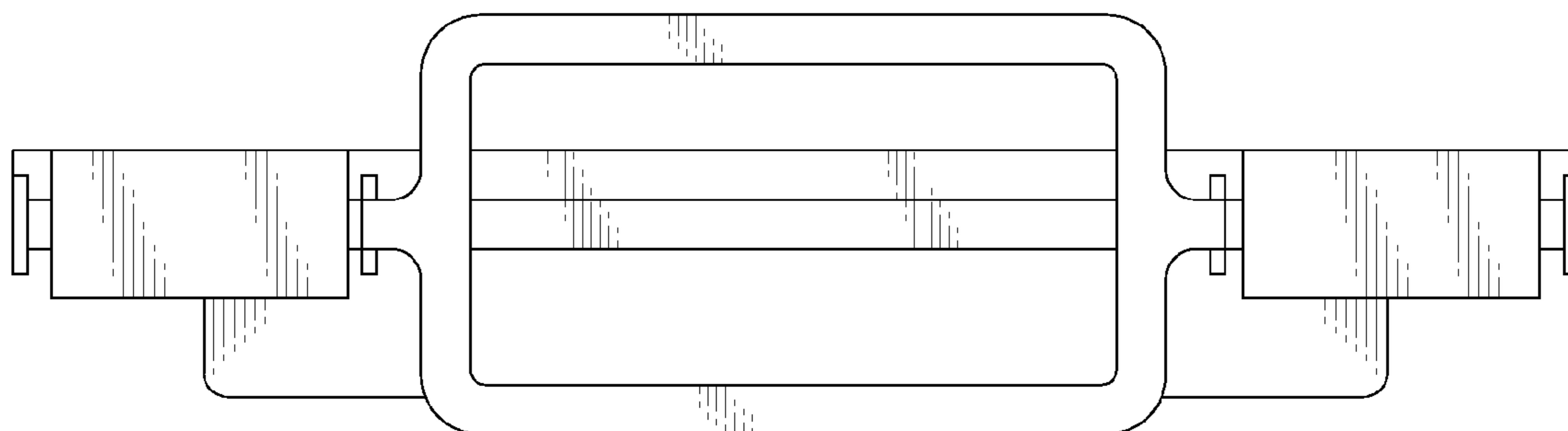


FIG. 4

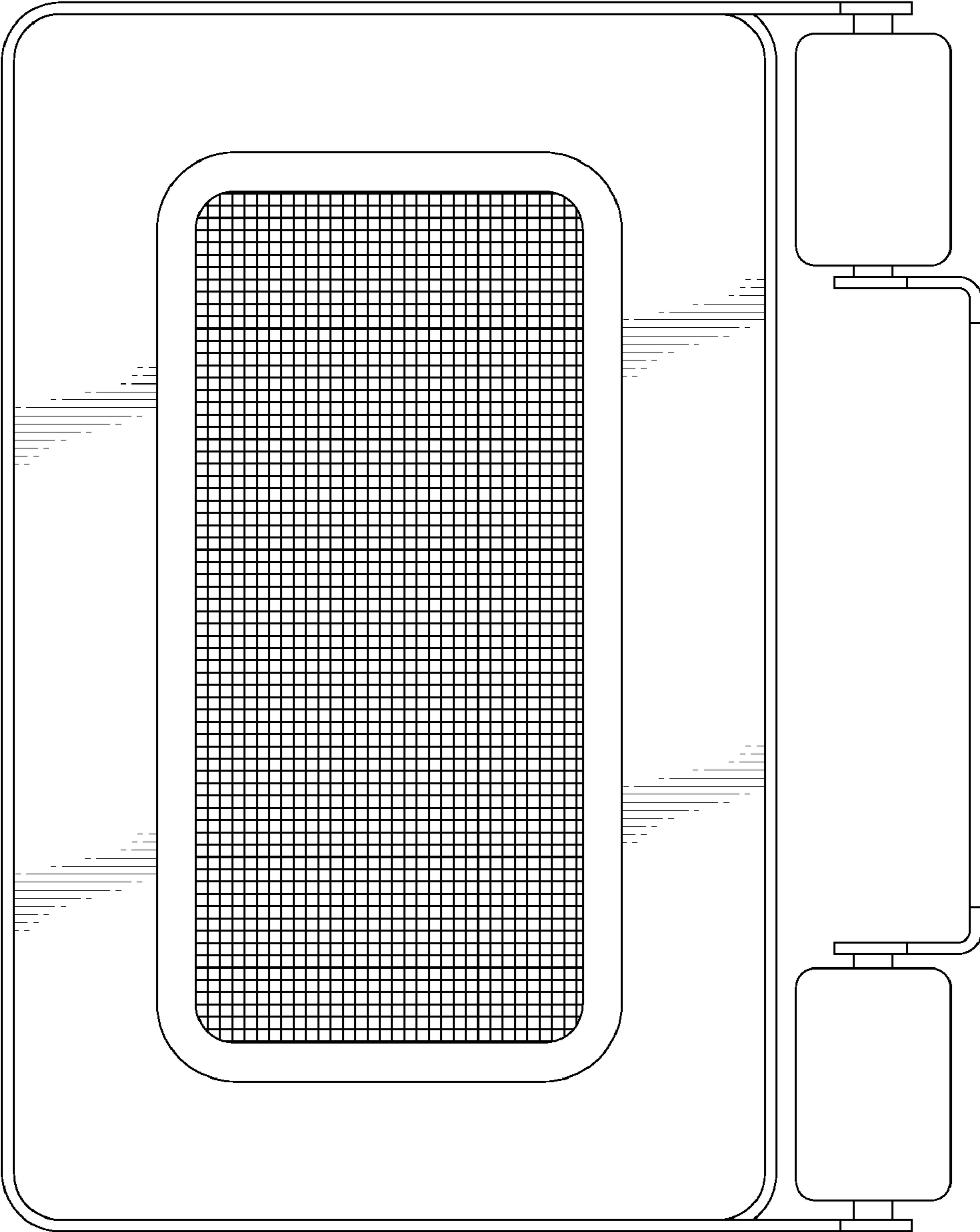


FIG. 5

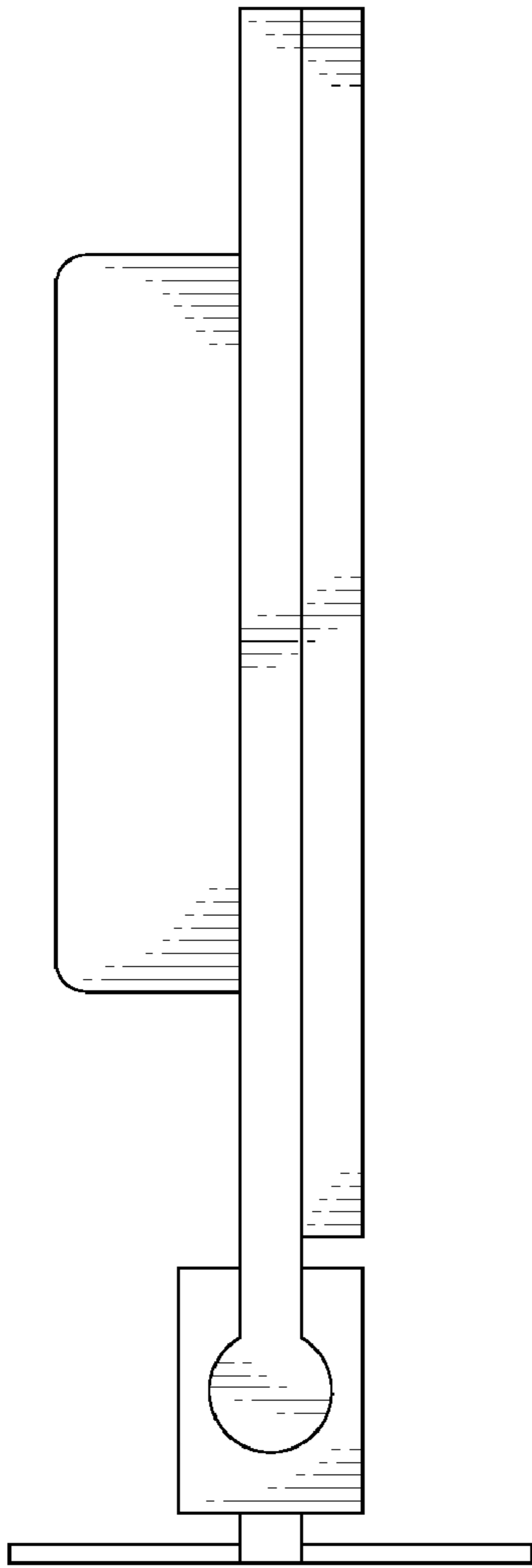


FIG. 6

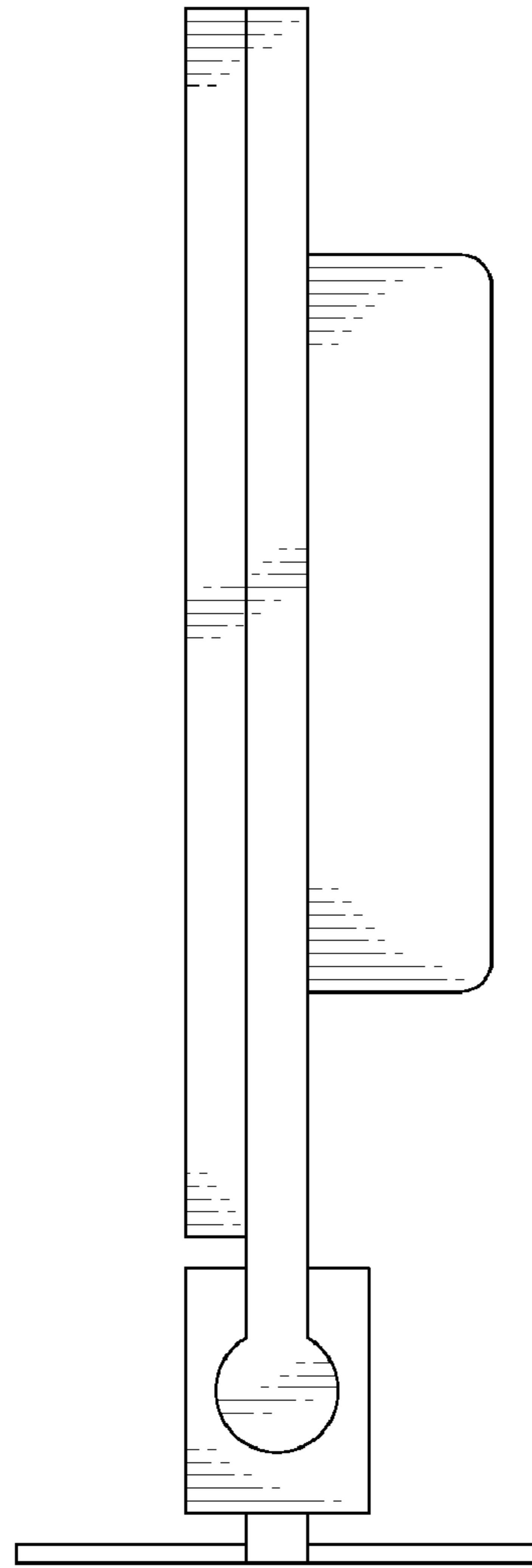


FIG. 7