



US00D601142S

(12) **United States Design Patent**
Lindley

(10) **Patent No.:** **US D601,142 S**

(45) **Date of Patent:** **** Sep. 29, 2009**

(54) **RADIO FREQUENCY IDENTIFICATION
READER**

(75) Inventor: **Scott Lindley**, Redwood City, CA (US)

(73) Assignee: **Farpointe Data, Inc.**, Mountain View,
CA (US)

(**) Term: **14 Years**

(21) Appl. No.: **29/288,662**

(22) Filed: **Jun. 18, 2007**

(51) **LOC (9) Cl.** **14-03**

(52) **U.S. Cl.** **D14/358; D14/240; D14/435.1**

(58) **Field of Classification Search** D14/242,
D14/496, 240, 167, 302, 314, 348-358, 363,
D14/383, 433; D13/149, 184; D3/201, 273;
379/220.01, 221.09, 220.14, 25, 93.09, 93.19,
379/156, 900, 338-339, 441; 711/100, 115;
361/658, 725, 752; 369/272.1, 273, 75.11;
360/133, 79.01, 97.03

See application file for complete search history.

(56) **References Cited**

U.S. PATENT DOCUMENTS

D408,384 S * 4/1999 Hata et al. D14/433
D425,072 S * 5/2000 Dosch et al. D14/242
D520,460 S * 5/2006 Wadsworth et al. D13/156

D530,317 S * 10/2006 Johnson et al. D14/242
D537,036 S * 2/2007 Chen D13/133
D560,214 S * 1/2008 Yuba et al. D14/230
D572,251 S * 7/2008 Lee D14/358
D573,594 S * 7/2008 Hsu D14/358

* cited by examiner

Primary Examiner—Charles A. Rademaker

Assistant Examiner—Charles D Hanson

(74) *Attorney, Agent, or Firm*—Nixon Peabody LLP; David
B. Ritchie

(57) **CLAIM**

The ornamental design for a radio frequency identification
reader, as shown and described.

DESCRIPTION

FIG. 1 is a perspective view of a radio frequency identification
reader showing my new design;

FIG. 2 is a top plan view thereof;

FIG. 3 is a bottom plan view thereof;

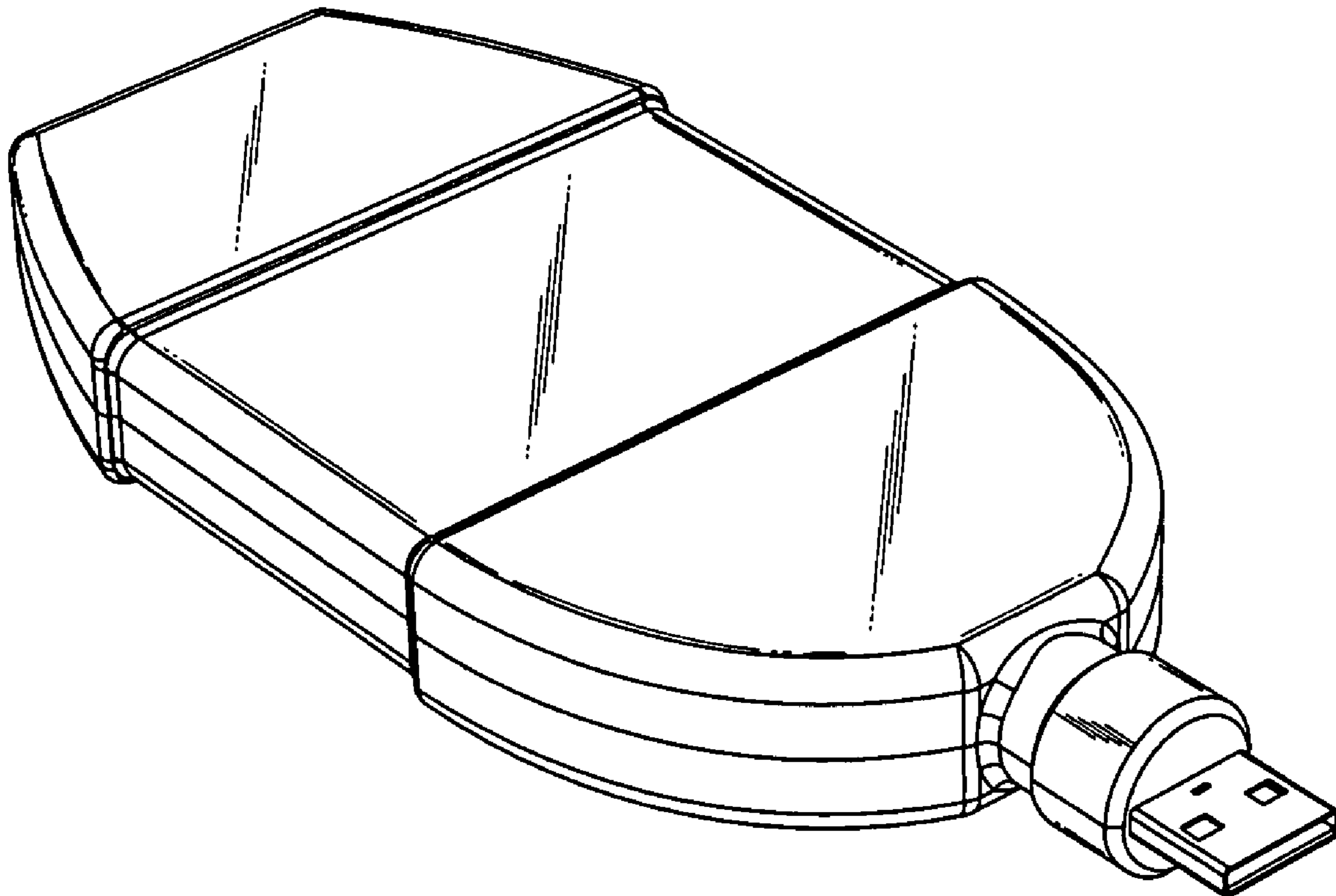
FIG. 4 is a left side view thereof;

FIG. 5 is a right side view thereof;

FIG. 6 is a front elevation view thereof; and,

FIG. 7 is a rear elevation view thereof.

1 Claim, 4 Drawing Sheets



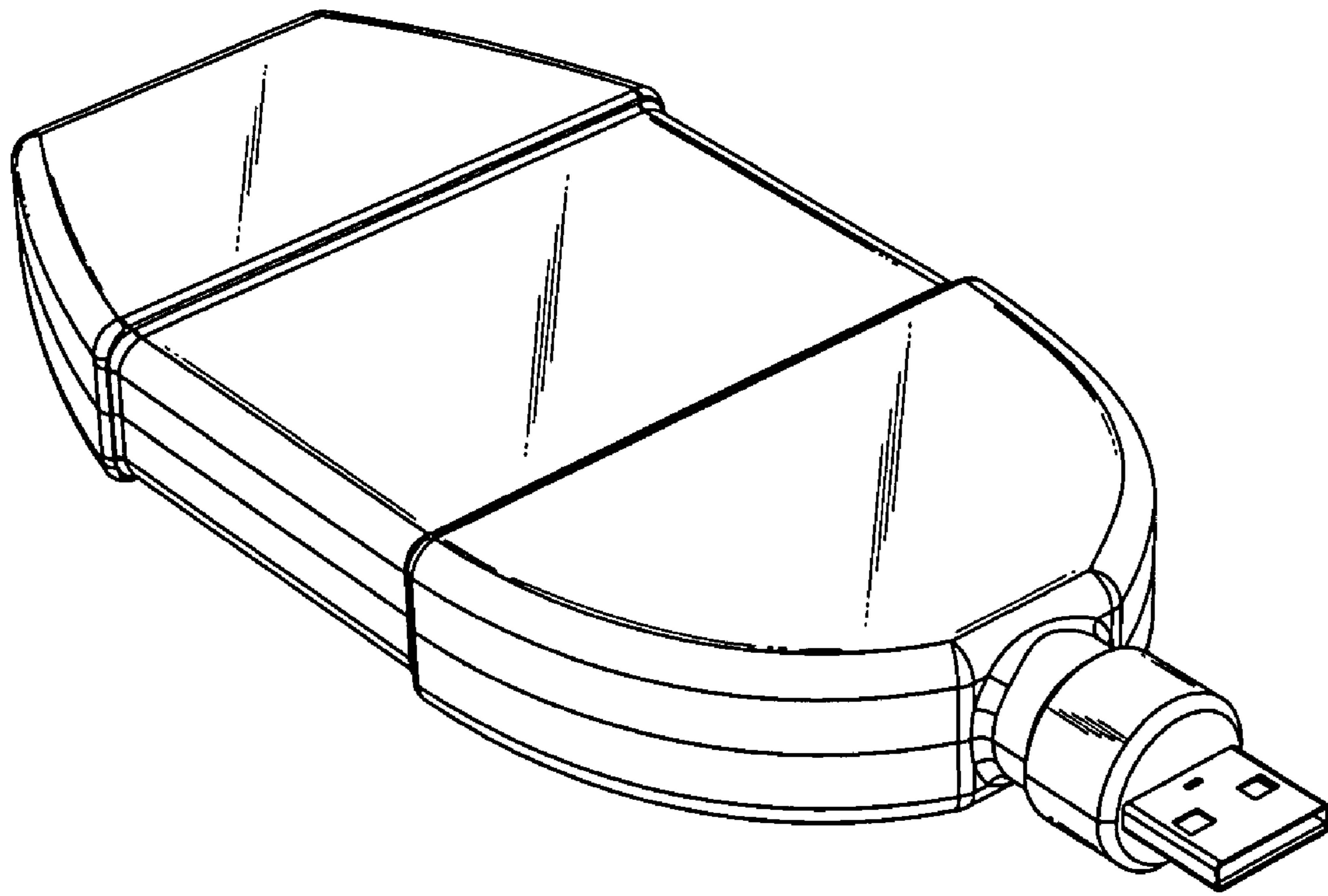


Fig. 1

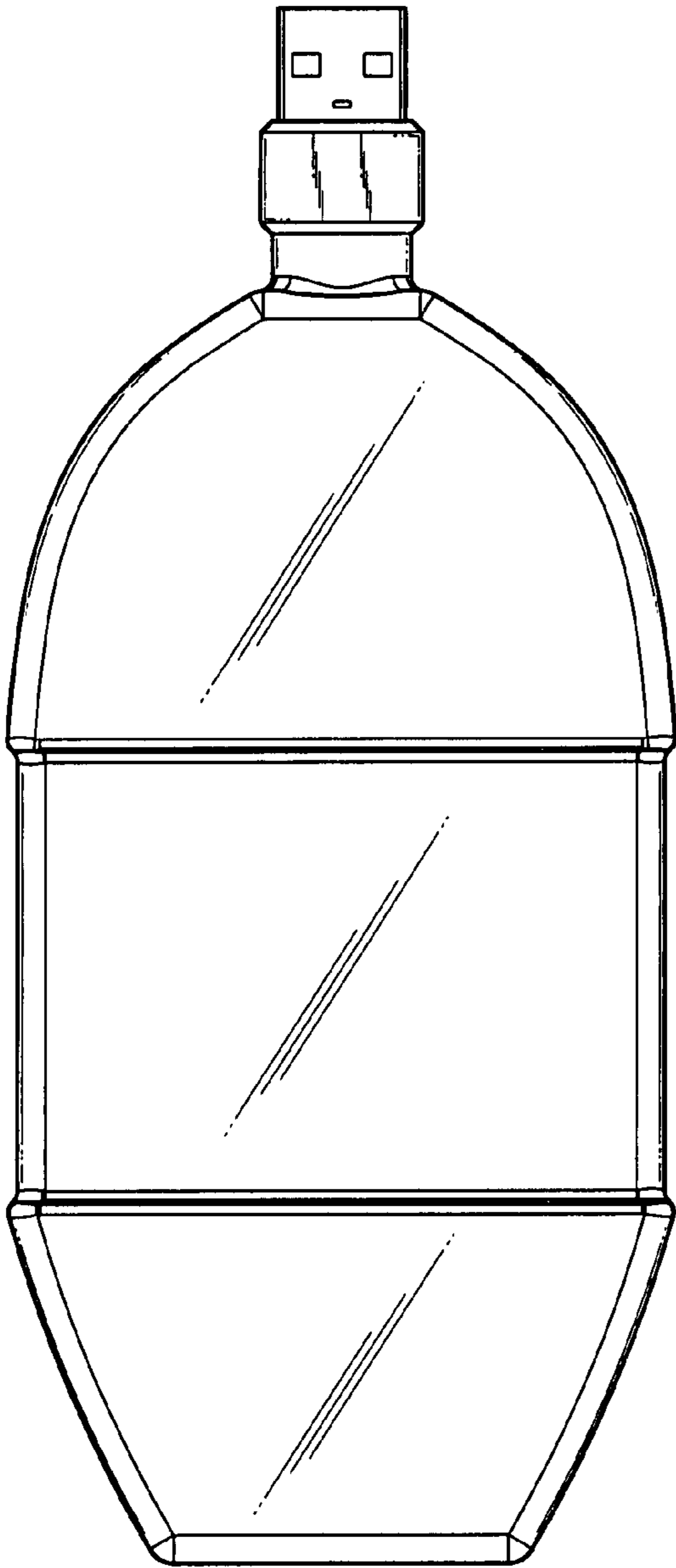


Fig. 2

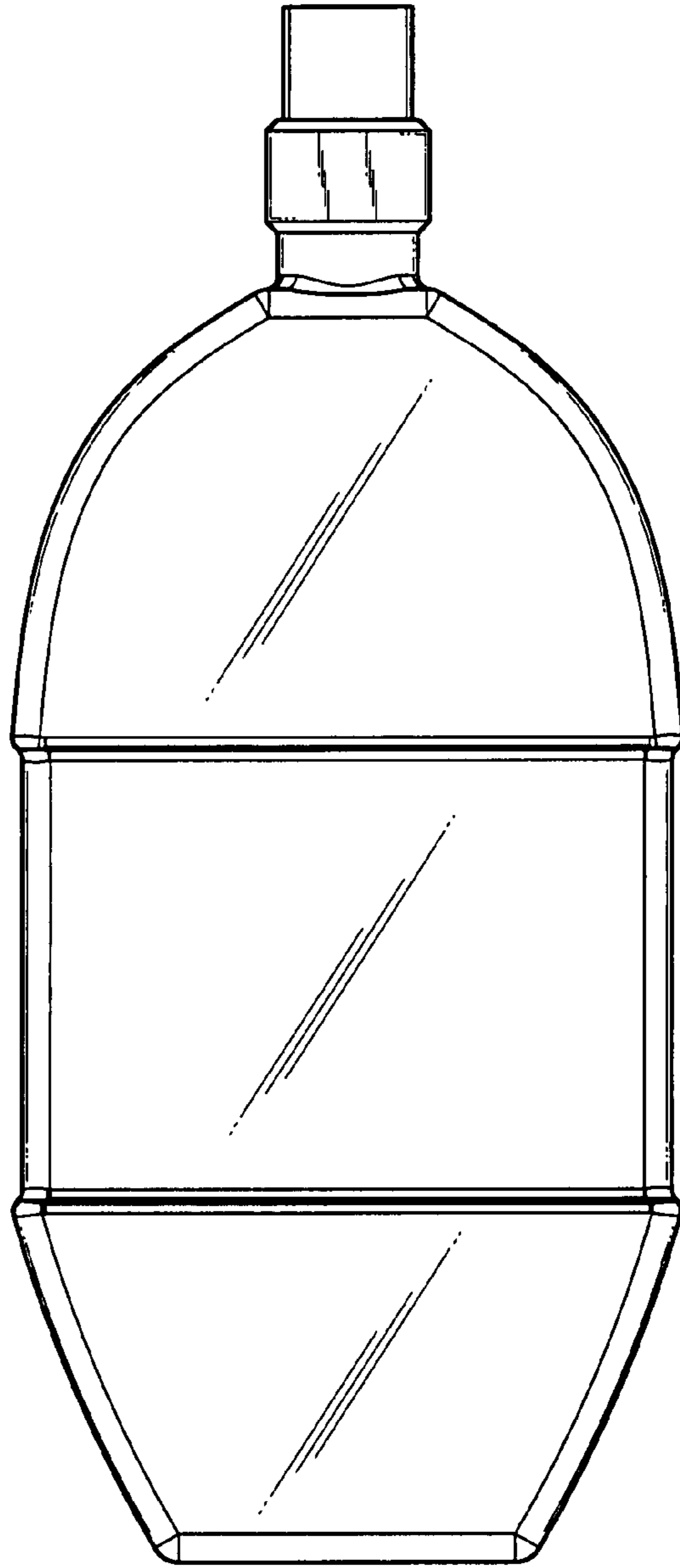


Fig. 3

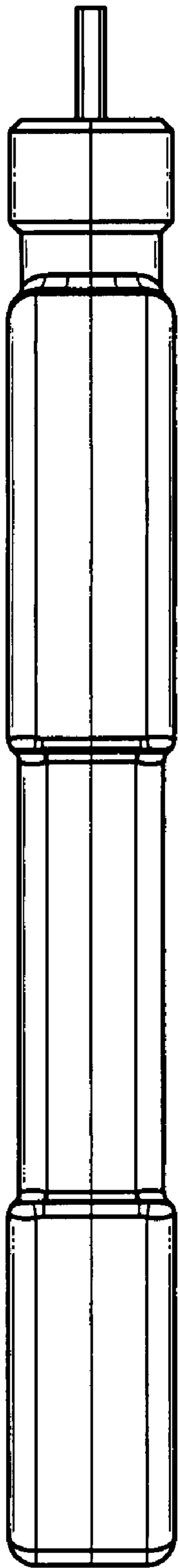


Fig. 4

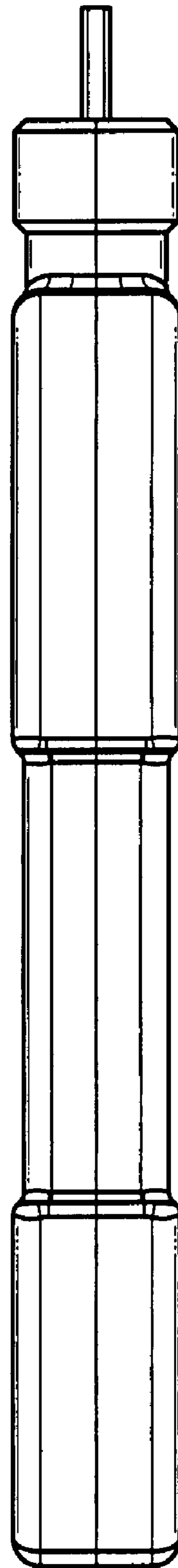


Fig. 5

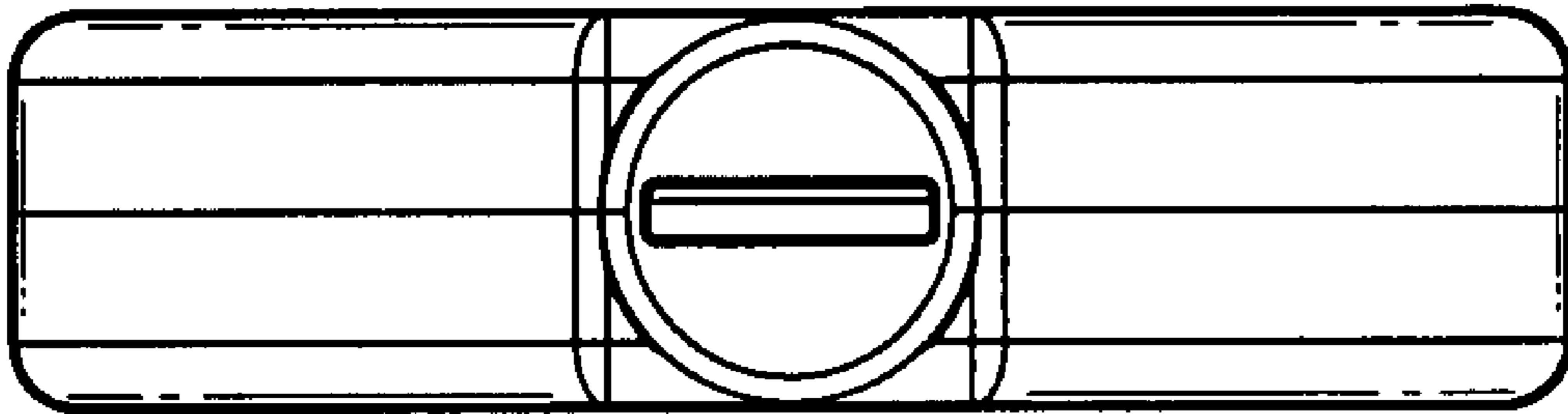


Fig. 6

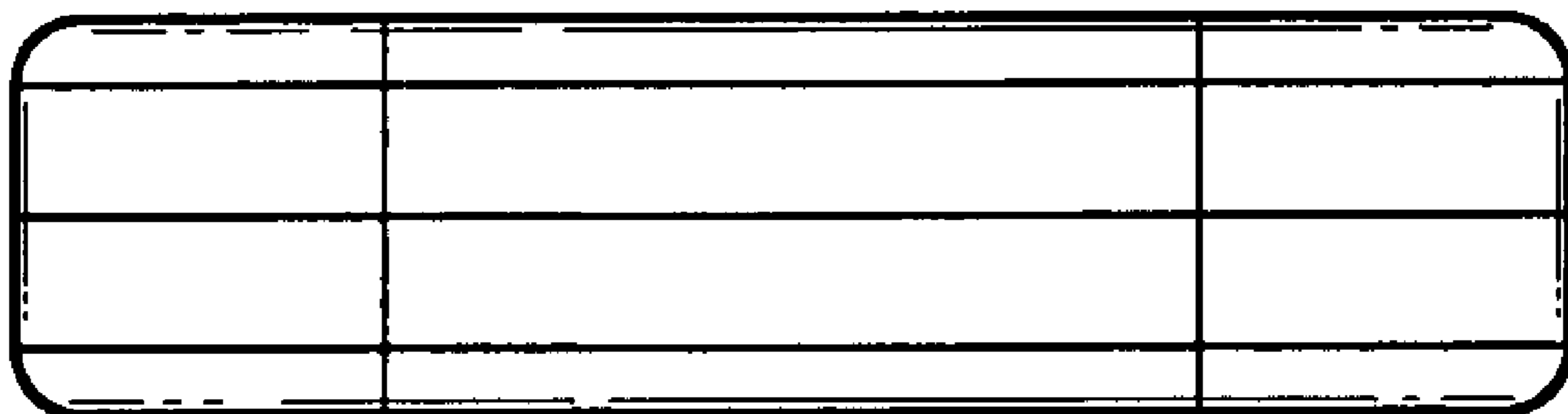


Fig. 7