



US00D601141S

(12) **United States Design Patent**
Moshes et al.

(10) **Patent No.:** **US D601,141 S**
(45) **Date of Patent:** **** Sep. 29, 2009**

(54) **FLASH DRIVE**

(75) Inventors: **Oren Moshes**, Tel Aviv-Jaffa (IL);
Allison Conner, Brooklyn, NY (US);
Mark Prommel, New York, NY (US)

(73) Assignee: **SanDisk IL Ltd.**, Kfar Saba (IL)

(**) Term: **14 Years**

(21) Appl. No.: **29/322,670**

(22) Filed: **Aug. 8, 2008**

(51) **LOC (9) Cl.** **14-99**

(52) **U.S. Cl.** **D14/356**

(58) **Field of Classification Search** D14/411,
D14/433, 435.1, 436, 480.1–480.7, 484.1,
D14/137, 155, 167, 168, 203.1–203.8, 240,
D14/242, 299; D3/201, 273; D13/107, 108,
D13/149, 184; 361/679.31, 679.33, 679.4,
361/752; 711/100, 115; 710/300, 301; 439/131,
439/135–147

See application file for complete search history.

(56) **References Cited**

U.S. PATENT DOCUMENTS

D398,592	S *	9/1998	Klinker	D14/436
D514,590	S *	2/2006	Naruki	D14/203.3
D535,993	S *	1/2007	Ueda	D14/383
D541,272	S *	4/2007	Wang	D14/356
D544,480	S *	6/2007	Murakami	D14/435.1
7,301,596	B1	11/2007	Morganstern et al.		
D556,752	S *	12/2007	Otsuka	D14/356
D557,697	S *	12/2007	Chen et al.	D14/356
7,303,411	B1	12/2007	Morganstern et al.		
D558,763	S	1/2008	Morganstern et al.		
D558,787	S *	1/2008	Yu et al.	D14/496
7,447,004	B2 *	11/2008	Lim et al.	361/752
7,524,198	B2 *	4/2009	Nguyen et al.	439/131
2008/0160803	A1	7/2008	Morganstern et al.		
2008/0160832	A1	7/2008	Morganstern et al.		
2008/0316697	A1 *	12/2008	Zhu	361/684
2009/0033621	A1 *	2/2009	Quinn et al.	711/101

OTHER PUBLICATIONS

SanDisk USB flash drive, p. 4 [online] Jan. 6, 2009 [retrieved on Mar. 11, 2009]. Retrieved from the Internet <URL: <http://www.ces-show.com/0271/sandisk/usbflashdrive/usb-drive/>>.*

SanDisk | Products | USB Flash Drives | SanDisk Extreme® Cruzer® Contour™ USB Flash Drive, p. 2 [online], [retrieved on Mar. 11, 2009]. Retrieved from the Internet <URL: [http://www.sandisk.com/Products/Item\(2573\)-SDCZ8-016G-A75-Extreme_Cruzer_Contour16GB_USB_Flash_Drive.aspx](http://www.sandisk.com/Products/Item(2573)-SDCZ8-016G-A75-Extreme_Cruzer_Contour16GB_USB_Flash_Drive.aspx)>.*

Overstock.com, Cruzer [online], [retrieved on Jun. 27, 2009]. Retrieved from the Internet <URL: <http://images.overstock.com/f/102/3117/8h/www.overstock.com/images/products/11739539.jpg>>.*

“Flash Drive,” U.S. Appl. No. 29/322,669, filed Aug. 8, 2008, inventors: Oren Moshes, Allison Conner, Mark Prommel, and Amir Aharonovich.

* cited by examiner

Primary Examiner—Cathron C Brooks

Assistant Examiner—Karen E Kearney

(74) *Attorney, Agent, or Firm*—Brinks Hofer Gilson & Lione

(57) **CLAIM**

The ornamental design for a flash drive, as shown and described.

DESCRIPTION

FIG. 1 is a perspective view of a flash drive that incorporates our new design.

FIG. 2 is a rear view thereof.

FIG. 3 is a front view thereof.

FIG. 4 is a right-side view thereof.

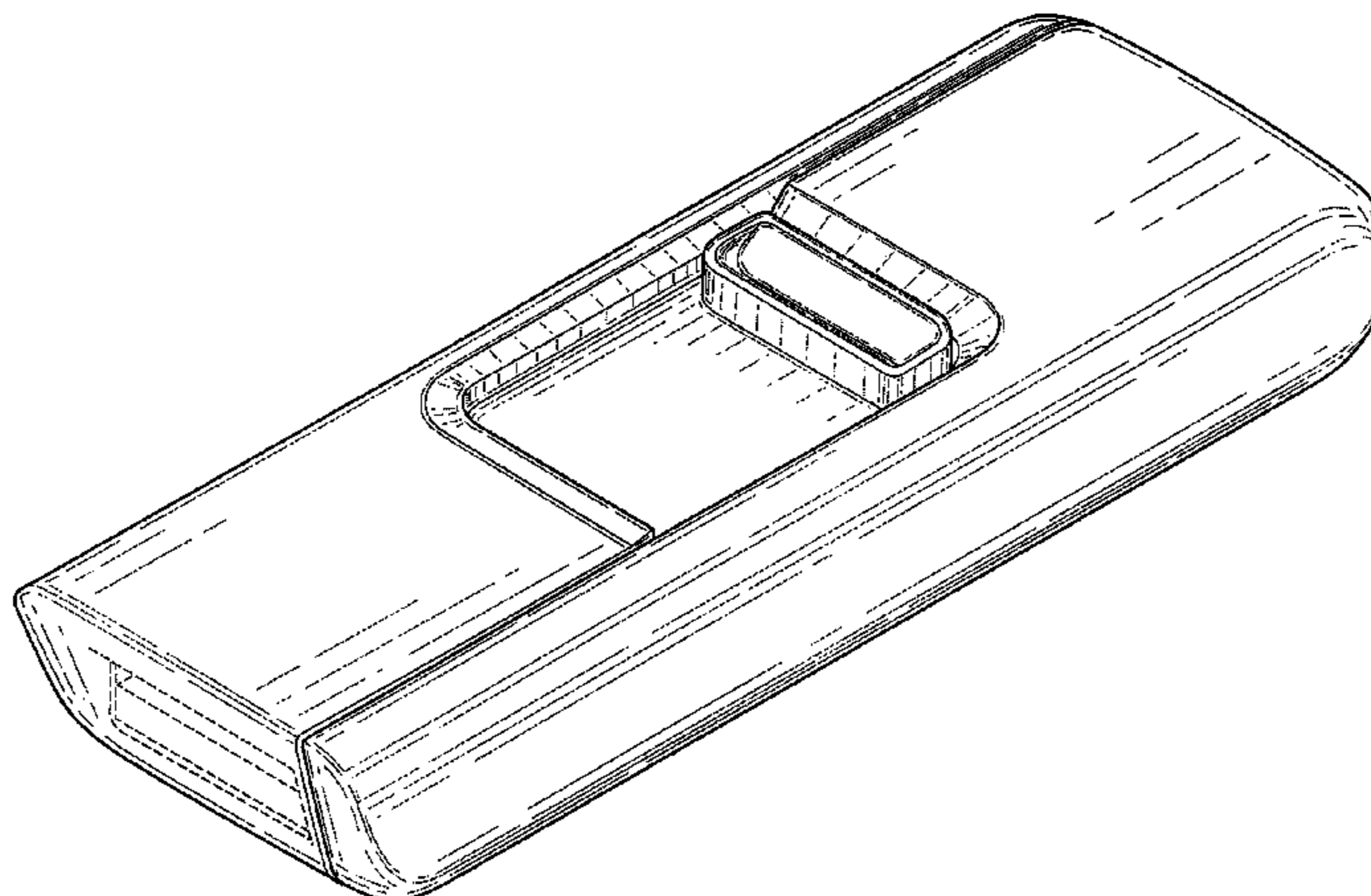
FIG. 5 is a left-side view thereof.

FIG. 6 is a top view thereof; and,

FIG. 7 is a bottom view thereof.

The broken line showing of the cavity for the USB connector, the USB connector within, and the element within the cavity at the rear of the flash drive are included for the purpose of illustrating unclaimed portions and form no part of the claimed design.

1 Claim, 4 Drawing Sheets



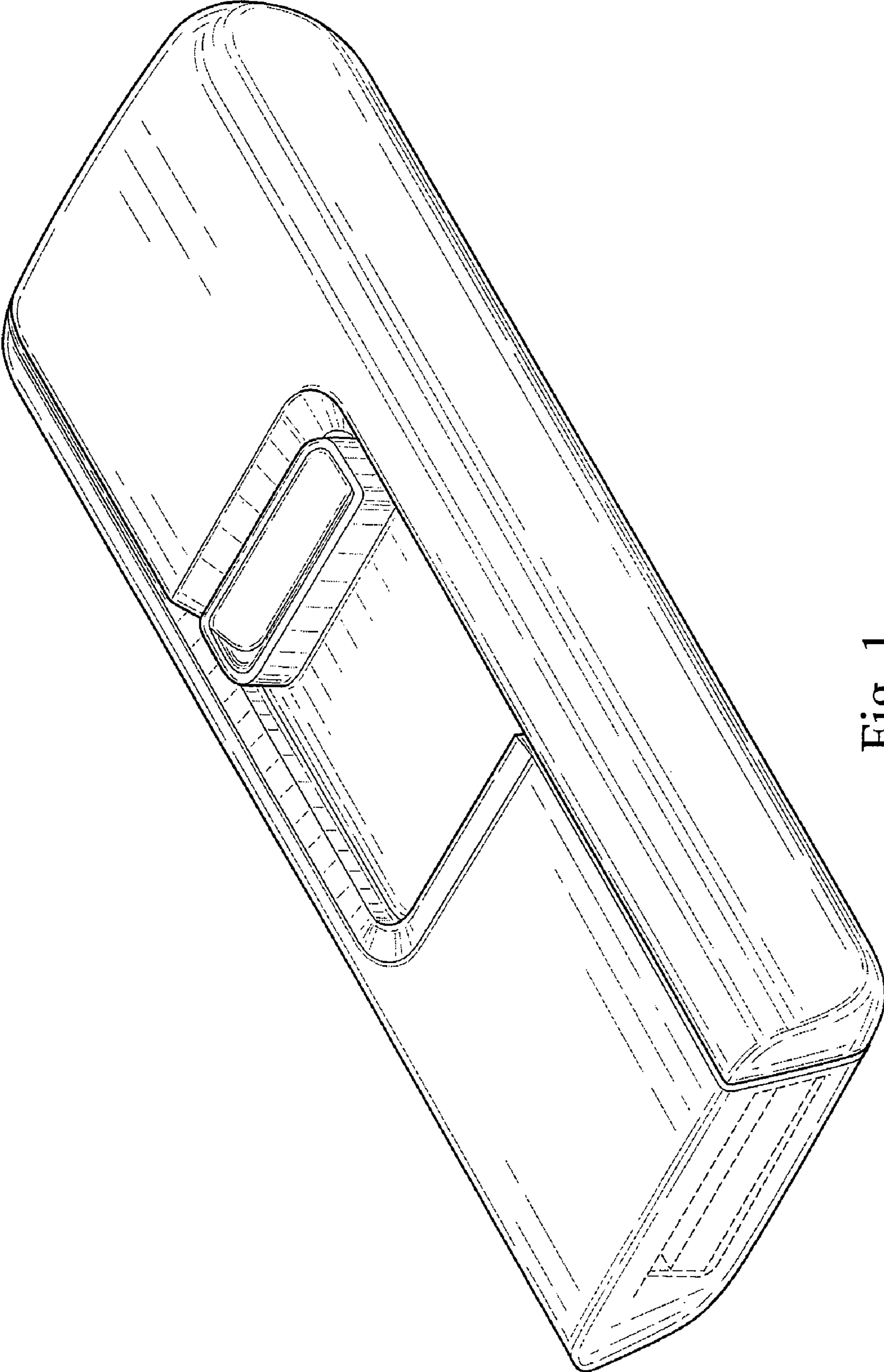


Fig. 1

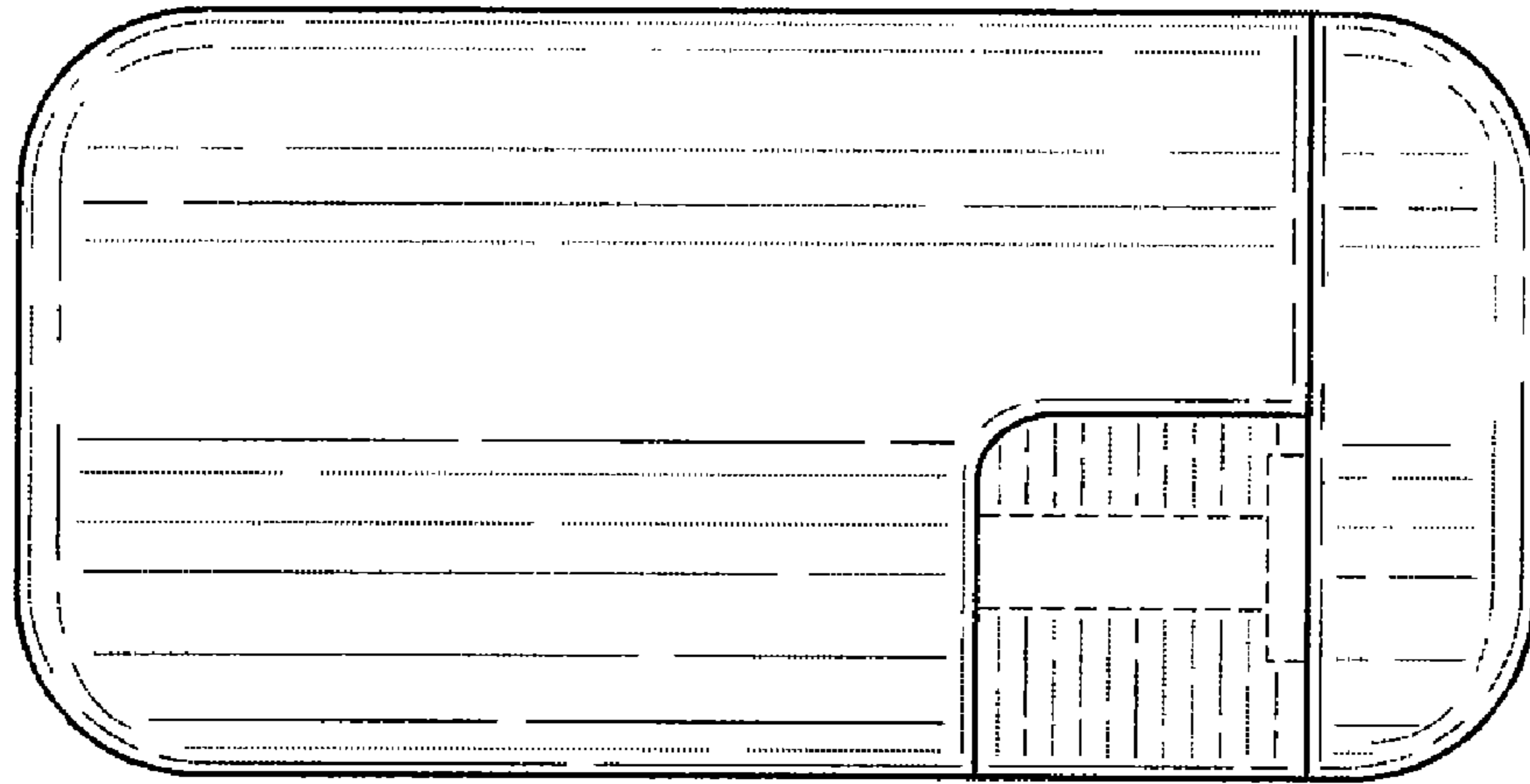


Fig. 2

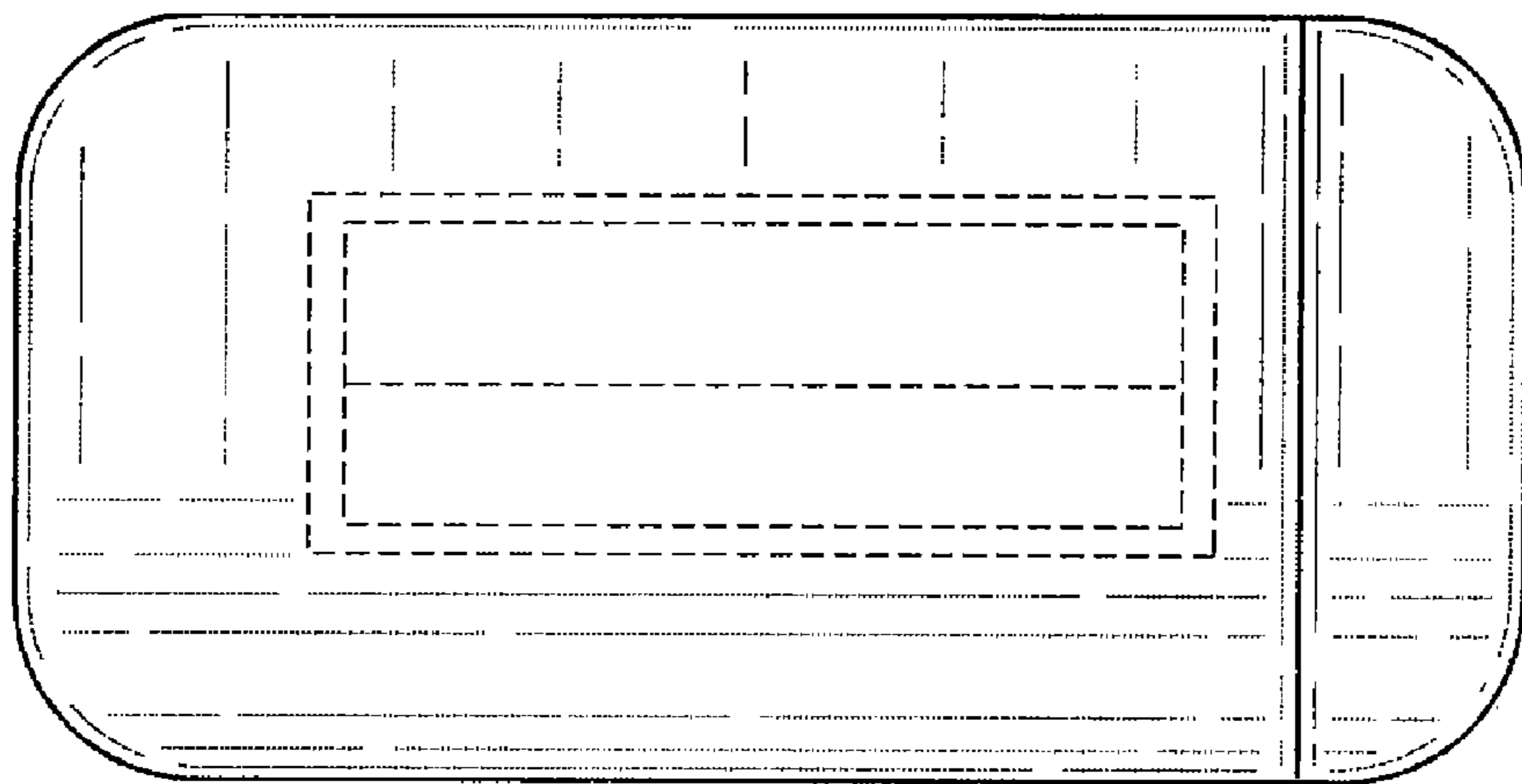


Fig. 3

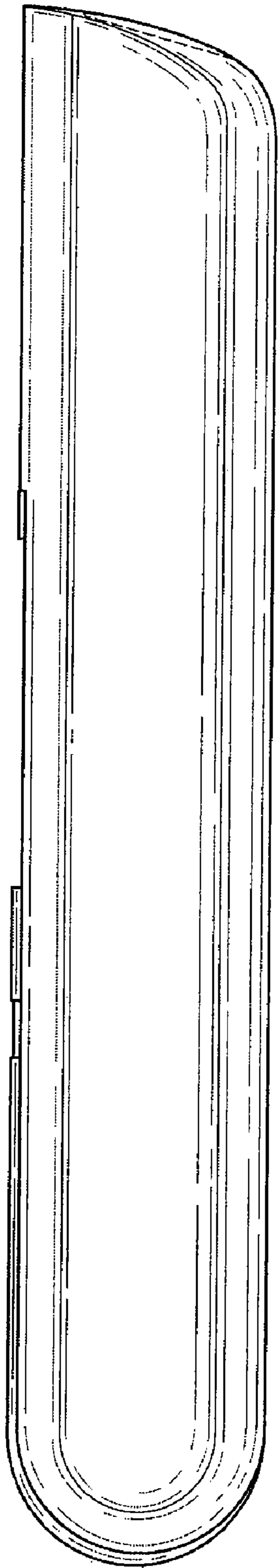


Fig. 4

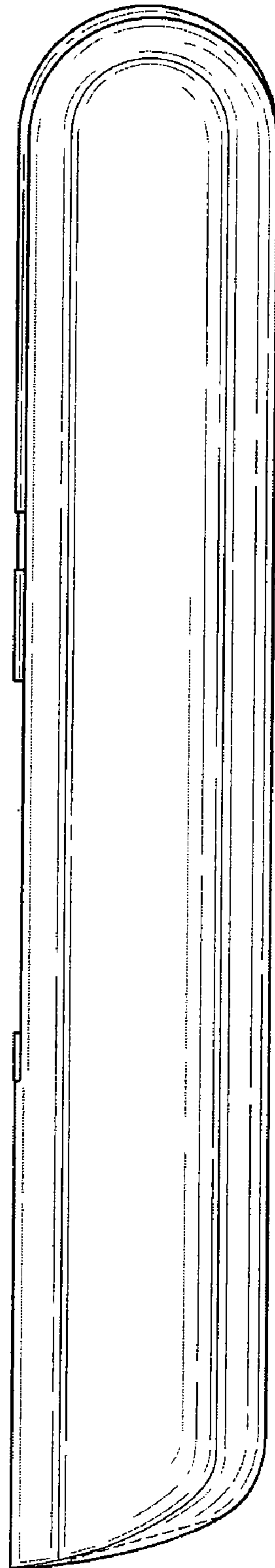


Fig. 5

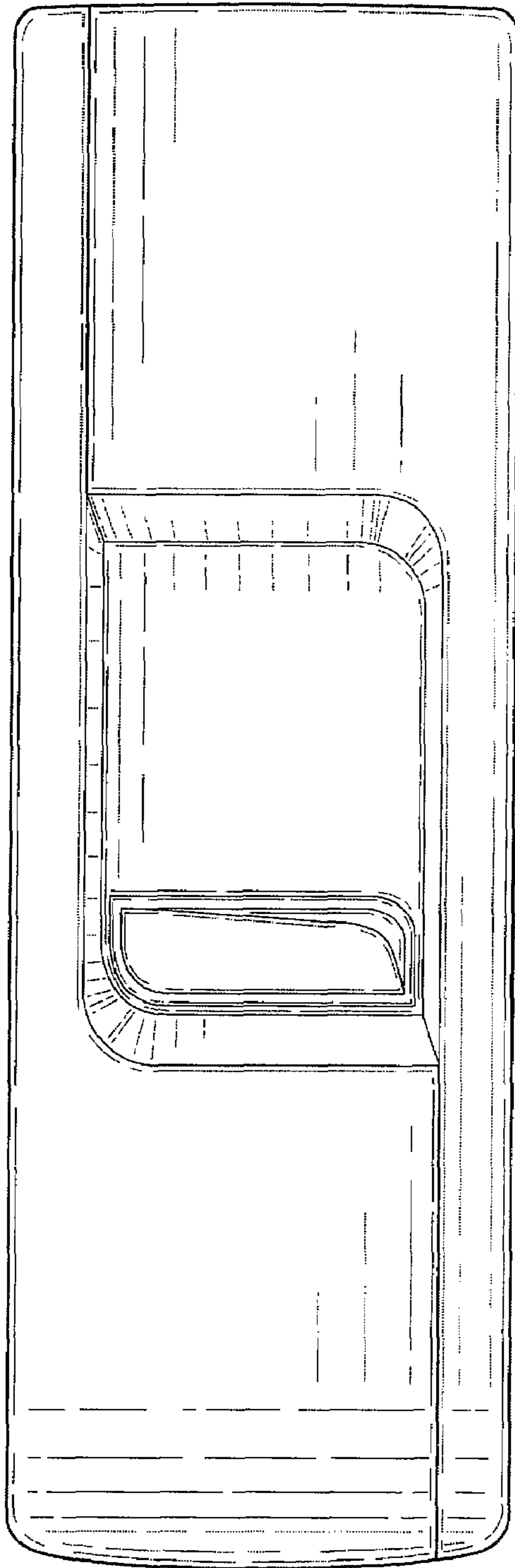


Fig. 6

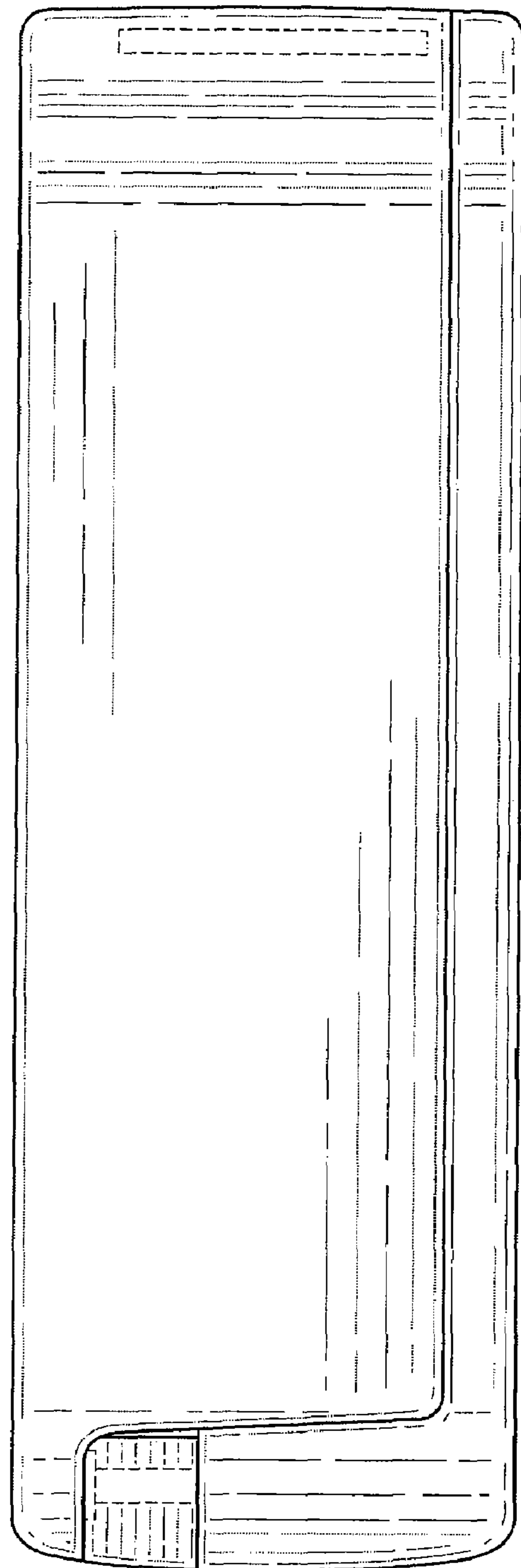


Fig. 7