



US00D601134S

(12) **United States Design Patent**  
**Elabidi et al.**

(10) **Patent No.:** **US D601,134 S**

(45) **Date of Patent:** **\*\* Sep. 29, 2009**

(54) **EARBUD FOR A COMMUNICATIONS HEADSET**

(75) Inventors: **Diane Elabidi**, Scotts Valley, CA (US);  
**Joseph W Yang**, San Jose, CA (US);  
**Stann N Sheperd**, Santa Cruz, CA (US)

(73) Assignee: **Plantronics, Inc.**, Santa Cruz, CA (US)

(\*\*) Term: **14 Years**

(21) Appl. No.: **29/332,181**

(22) Filed: **Feb. 10, 2009**

(51) **LOC (9) Cl.** ..... **14-01**

(52) **U.S. Cl.** ..... **D14/223**

(58) **Field of Classification Search** ..... D14/205,  
D14/206, 223; D24/106, 173, 174; 128/868,  
128/865, 864; 181/129, 130, 135; 381/380,  
381/381, 322, 324, 327, 328; 379/430, 420.04,  
379/420.03, 420.02

See application file for complete search history.

(56) **References Cited**

**U.S. PATENT DOCUMENTS**

1,893,474	A *	1/1933	Lieber	.....	381/380
2,248,837	A *	7/1941	Walters	.....	381/380
D141,071	S *	5/1945	Hechler	.....	D24/174
2,549,629	A *	4/1951	Nelson	.....	381/338
2,787,670	A *	4/1957	Rowland	.....	381/324
3,047,089	A *	7/1962	Zwislocki	.....	181/135
D207,211	S *	3/1967	Geib	.....	D24/174
D207,216	S *	3/1967	Geib	.....	D24/174
3,368,644	A *	2/1968	Henderson	.....	181/129
D213,448	S *	3/1969	Giller	.....	D24/174
D266,590	S *	10/1982	Bennett	.....	D24/174
4,375,016	A *	2/1983	Harada	.....	181/135
4,652,414	A *	3/1987	Schlaegel	.....	264/154

D340,286	S *	10/1993	Seo	.....	D24/174
5,298,692	A *	3/1994	Ikeda et al.	.....	181/135
5,319,163	A *	6/1994	Scott	.....	181/130
D368,309	S *	3/1996	Narisawa	.....	D24/106
D388,093	S *	12/1997	Frengley	.....	D14/223
D399,001	S *	9/1998	Yabe et al.	.....	D24/174
D402,661	S *	12/1998	Hayashi	.....	D14/223
D417,279	S *	11/1999	Dupont	.....	D24/174
D444,237	S *	6/2001	Stone	.....	D24/173
D449,592	S *	10/2001	Koss et al.	.....	D14/223
D478,991	S *	8/2003	Dyer et al.	.....	D24/174
D514,094	S *	1/2006	Griffin	.....	D14/223
D519,103	S *	4/2006	Sabick et al.	.....	D14/205
D532,110	S *	11/2006	Bailey et al.	.....	D24/174
D532,770	S *	11/2006	Engstrom et al.	.....	D14/205
D557,689	S *	12/2007	Huang	.....	D14/223
D563,394	S *	3/2008	Donaldson et al.	.....	D14/223
D574,361	S *	8/2008	Sasaki	.....	D14/205

\* cited by examiner

*Primary Examiner*—Paula Greene

(74) *Attorney, Agent, or Firm*—Michael D. Rodriguez

(57) **CLAIM**

The ornamental design for an earbud for a communications headset, as shown and described.

**DESCRIPTION**

FIG. 1 is a front-top-right perspective view of an earbud for a communications headset showing our new design;

FIG. 2 is a top view thereof;

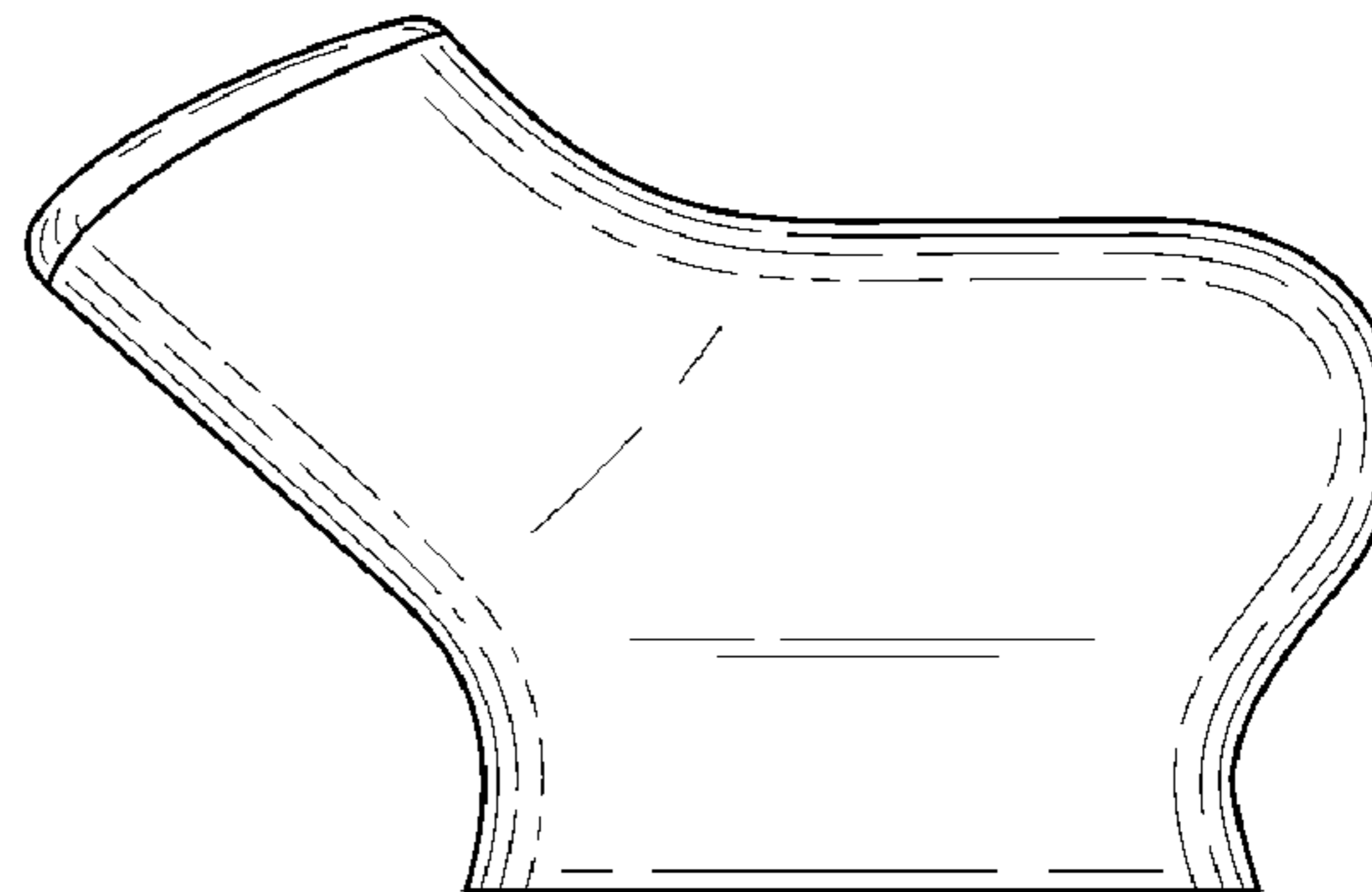
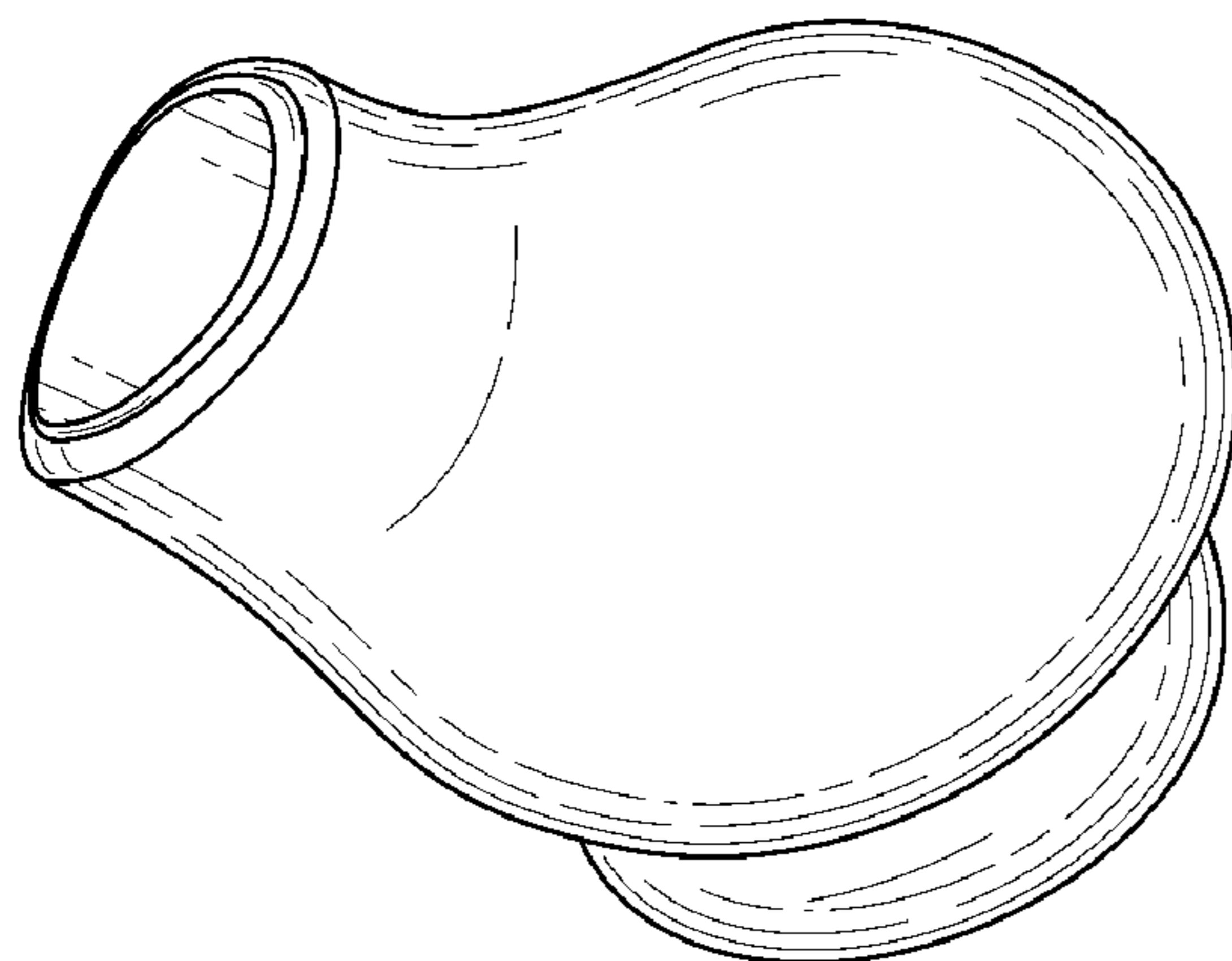
FIG. 3 is a bottom view thereof;

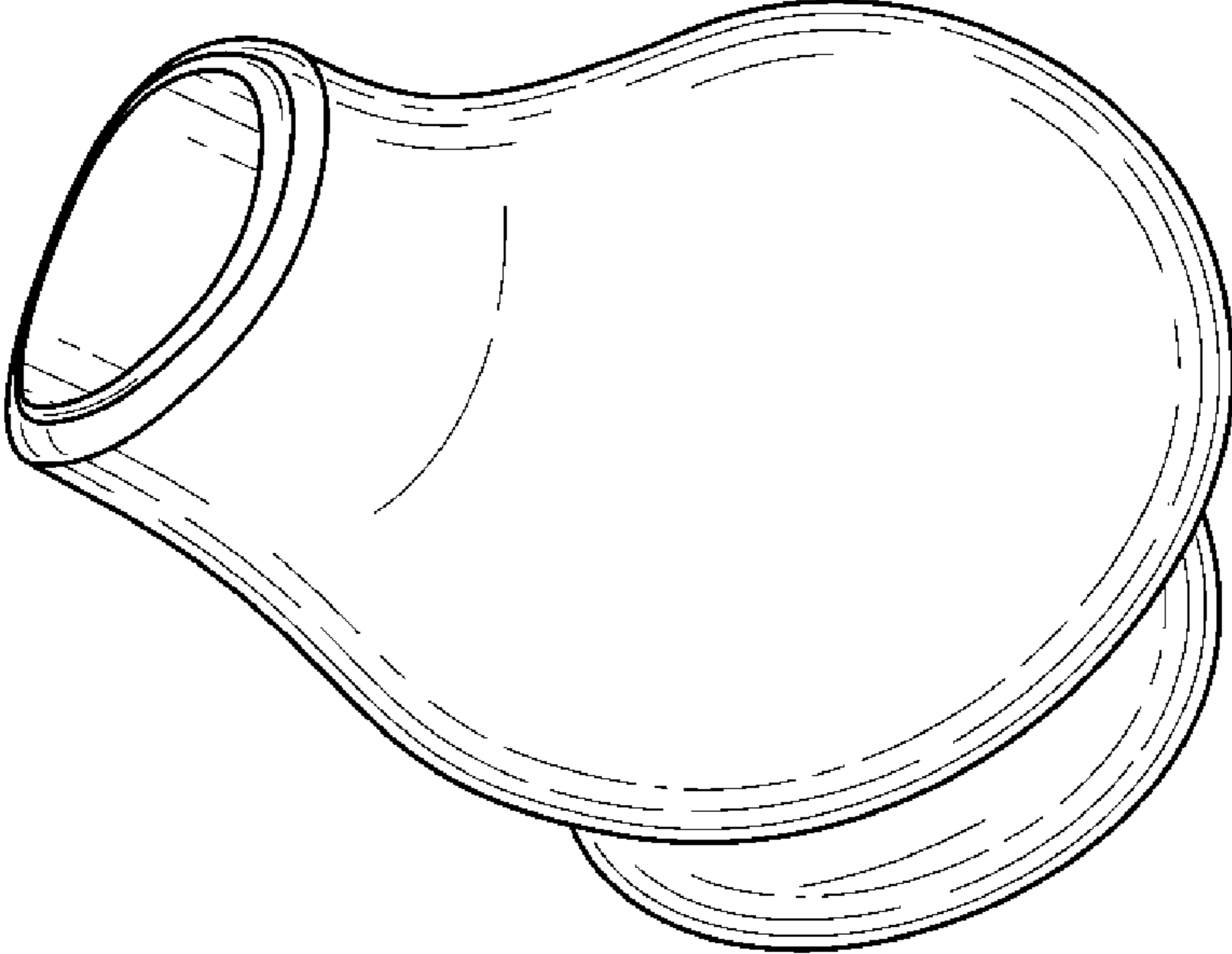
FIG. 4 is a right side view thereof; the left side view is a mirror image;

FIG. 5 is a front side view thereof; and,

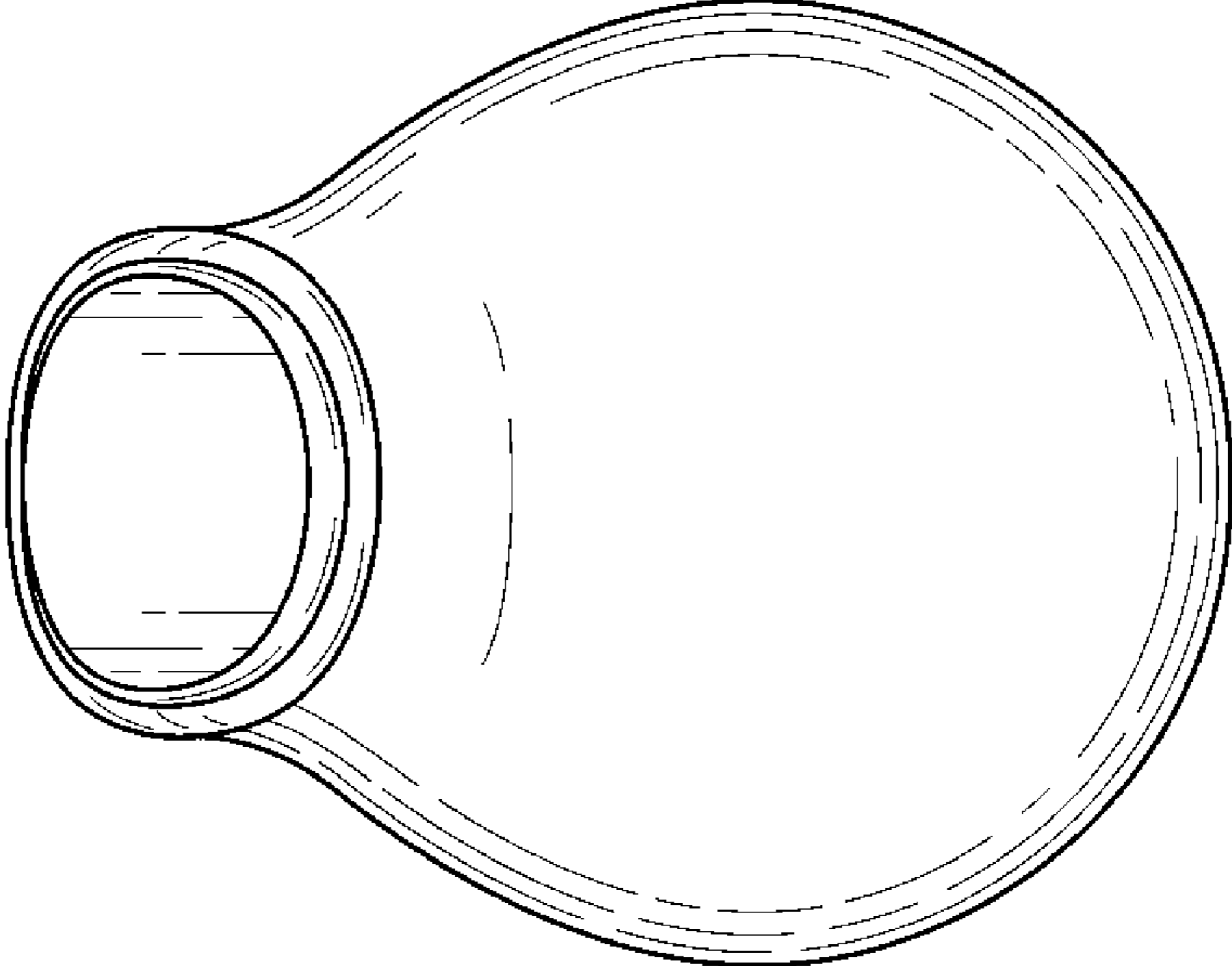
FIG. 6 is a back side view thereof.

**1 Claim, 3 Drawing Sheets**

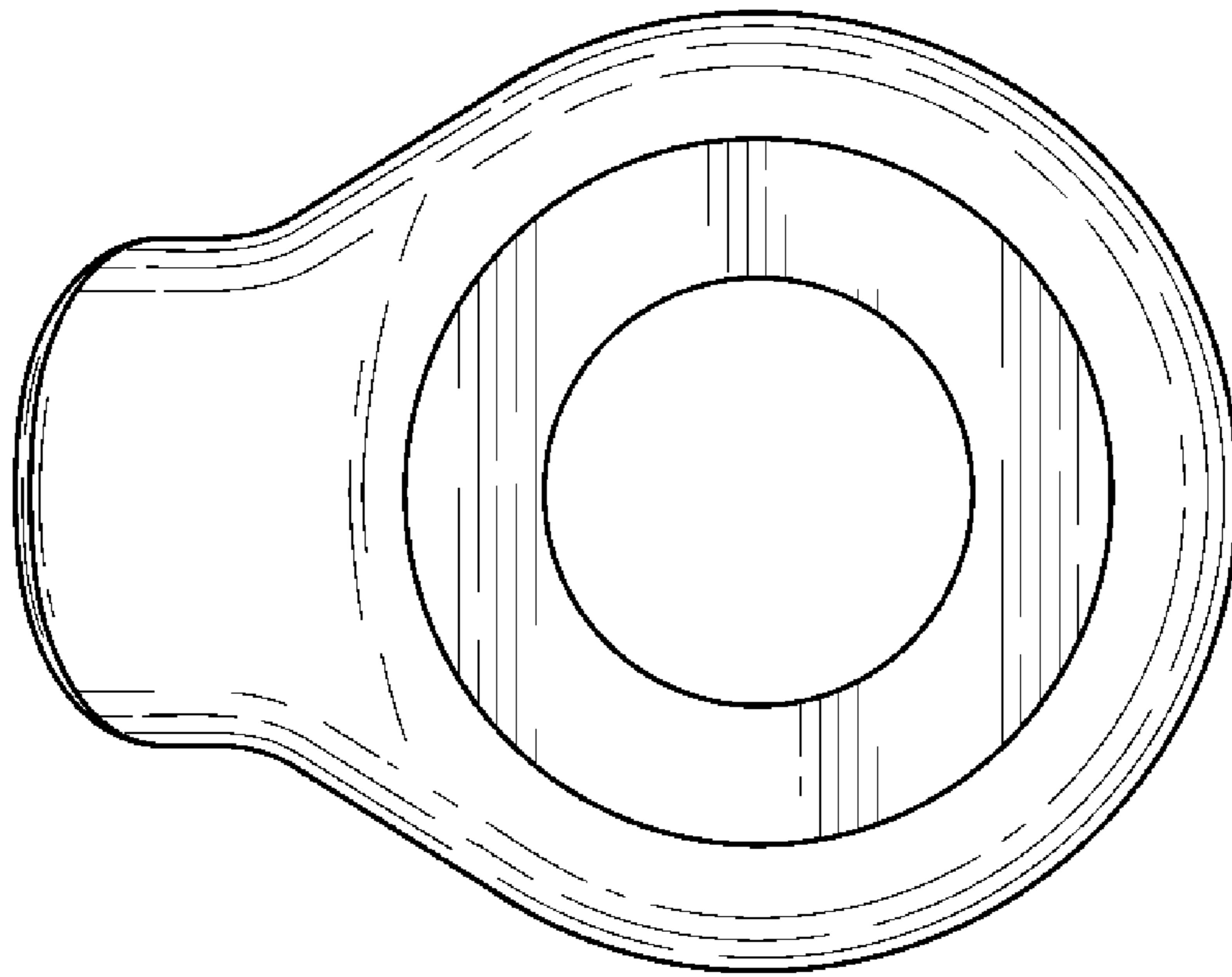




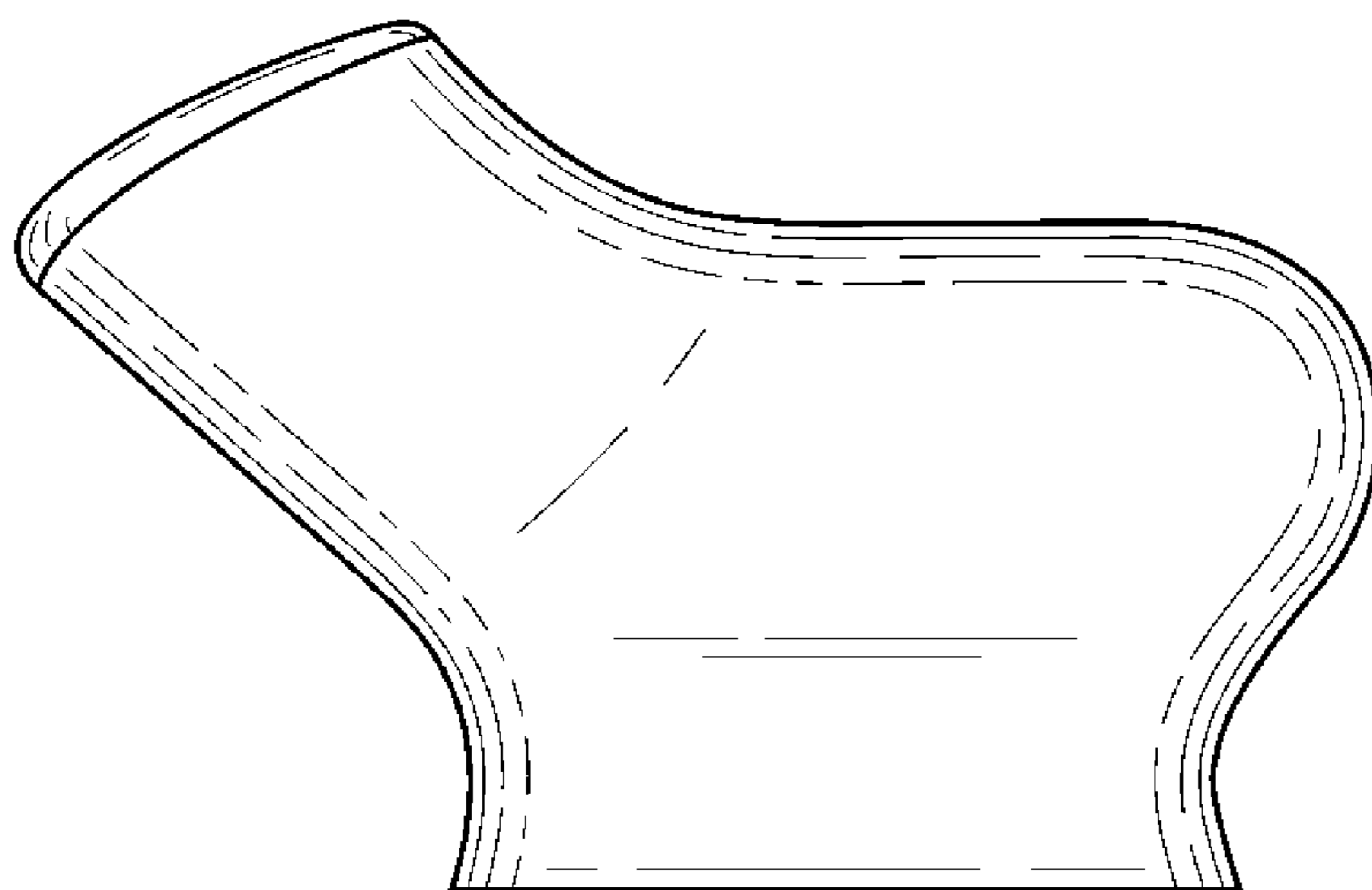
**FIG. 1**



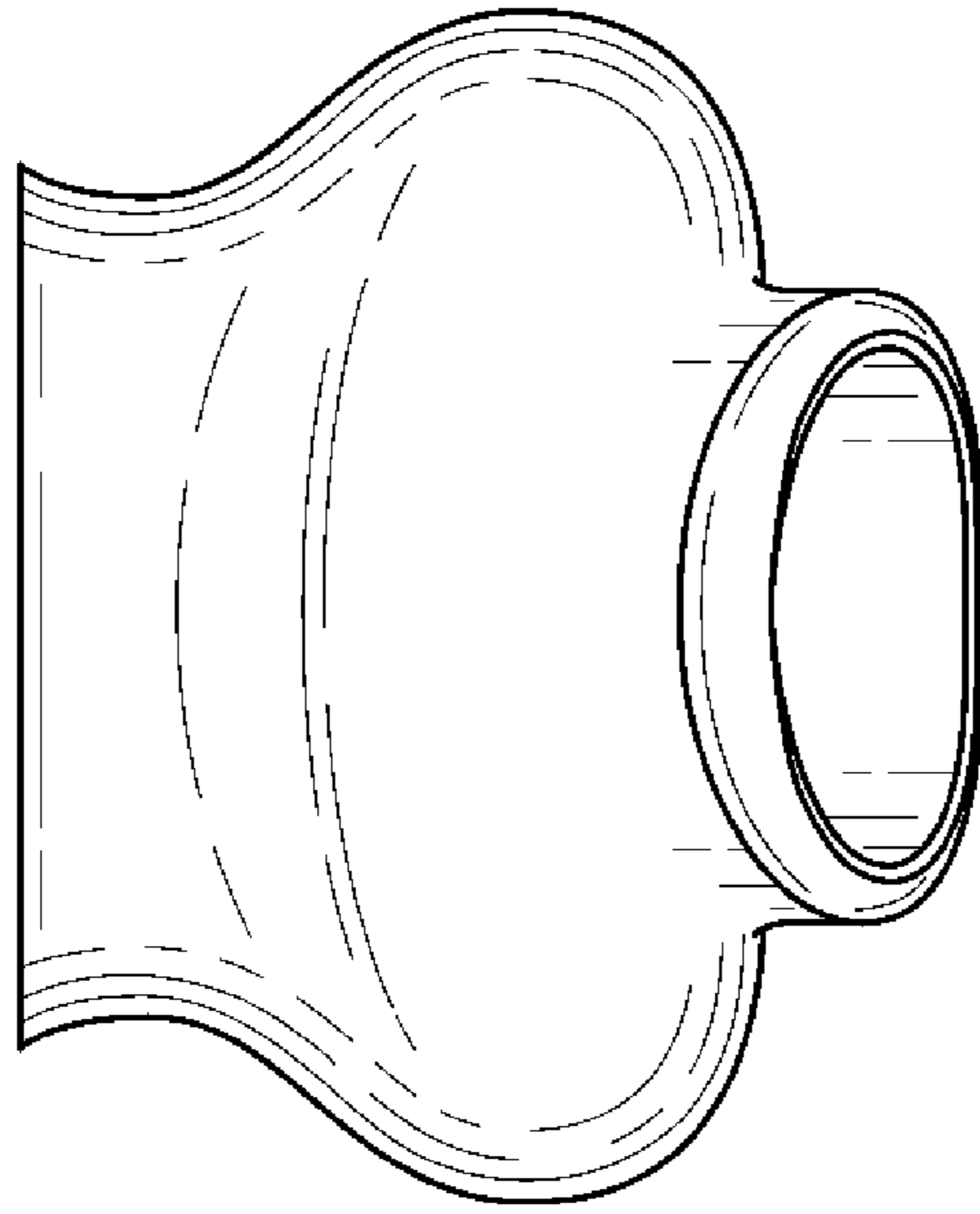
**FIG. 2**



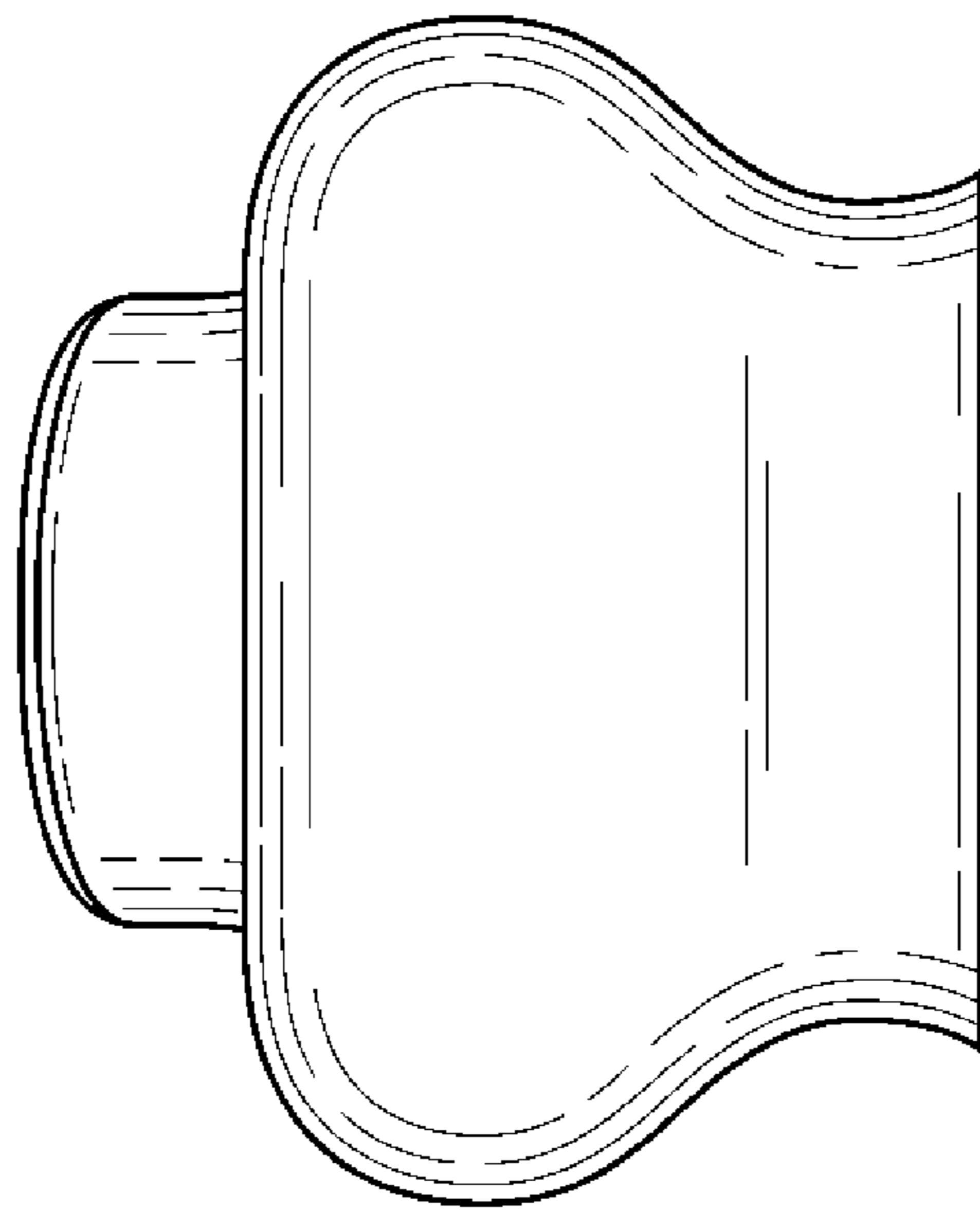
**FIG. 3**



**FIG. 4**



**FIG. 5**



**FIG. 6**