

US00D601132S

(12) **United States Design Patent**  
**Oishi**

(10) **Patent No.:** **US D601,132 S**

(45) **Date of Patent:** **\*\* Sep. 29, 2009**

(54) **LOUDSPEAKER GRILL**

D535,979 S \* 1/2007 Shing ..... D14/219  
D565,032 S \* 3/2008 Iwamoto ..... D14/220

(75) Inventor: **Hironori Oishi**, Meguro (JP)

(73) Assignee: **Pioneer Kabushiki Kaisha**, Tokyo (JP)

\* cited by examiner

(\*\*) Term: **14 Years**

*Primary Examiner*—Nanda Bondade  
(74) *Attorney, Agent, or Firm*—Oloff & Berridge, PLLC

(21) Appl. No.: **29/311,236**

(22) Filed: **Jan. 27, 2009**

(57) **CLAIM**

(30) **Foreign Application Priority Data**

The ornamental design for a loudspeaker grill, as shown and described.

Aug. 1, 2008 (JP) ..... 2008-019955

(51) **LOC (9) Cl.** ..... **14-01**

**DESCRIPTION**

(52) **U.S. Cl.** ..... **D14/219**

(58) **Field of Classification Search** ..... D14/204,  
D14/209.1, 210–216, 219–222, 172, 496;  
181/143–144, 147–148, 150–153, 157, 198–199;  
381/300–303, 306, 332–333, 336, 345, 361–364,  
381/386–388

FIG. 1 is a perspective view of a loudspeaker grill;  
FIG. 2 is a front view thereof;  
FIG. 3 is a rear view thereof;  
FIG. 4 is a top view thereof;  
FIG. 5 is a left-side view thereof;  
FIG. 6 is a right-side view thereof; and,  
FIG. 7 is a bottom view thereof.

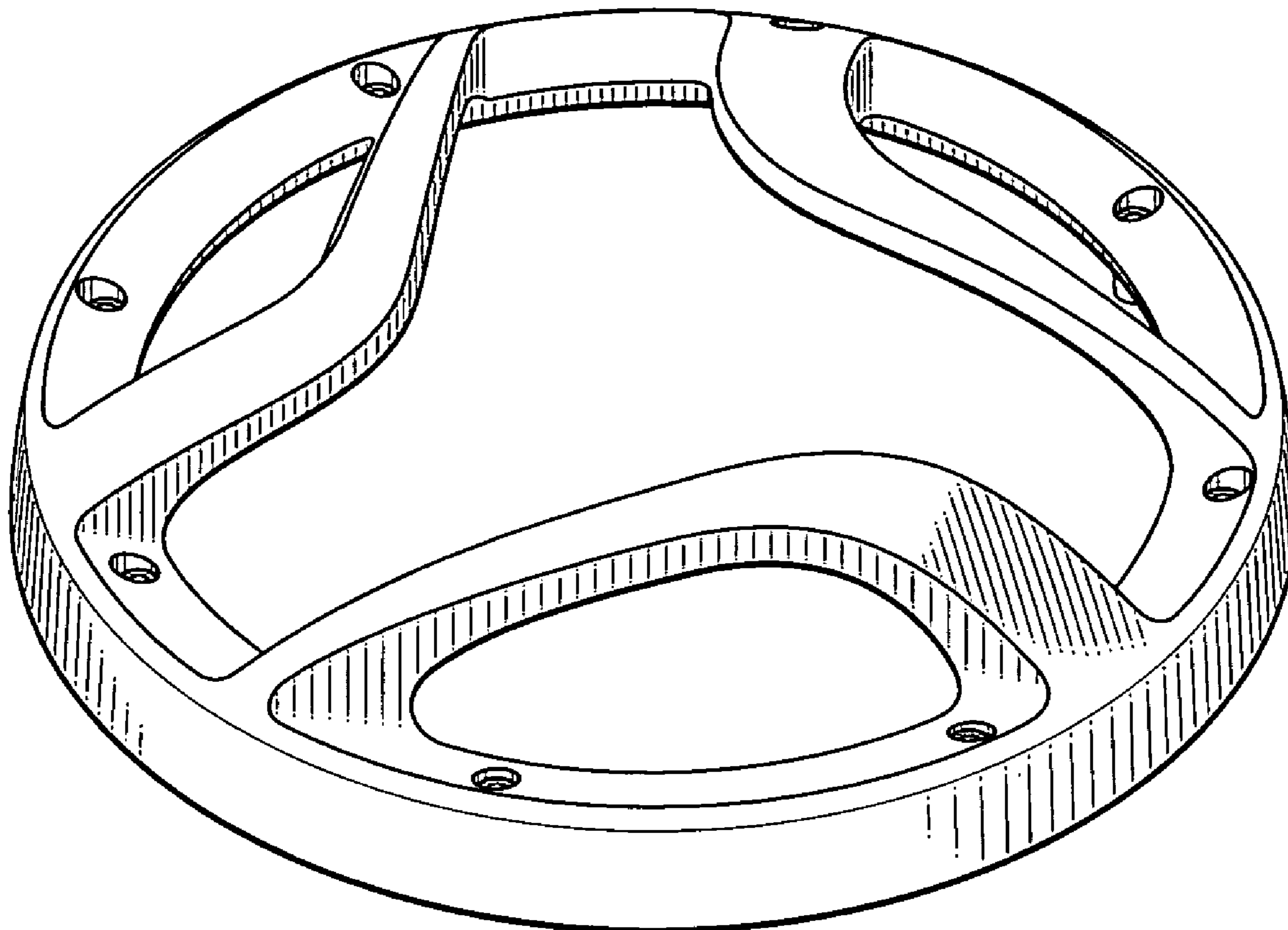
See application file for complete search history.

(56) **References Cited**

**U.S. PATENT DOCUMENTS**

D522,496 S \* 6/2006 Smith et al. .... D14/221

**1 Claim, 3 Drawing Sheets**



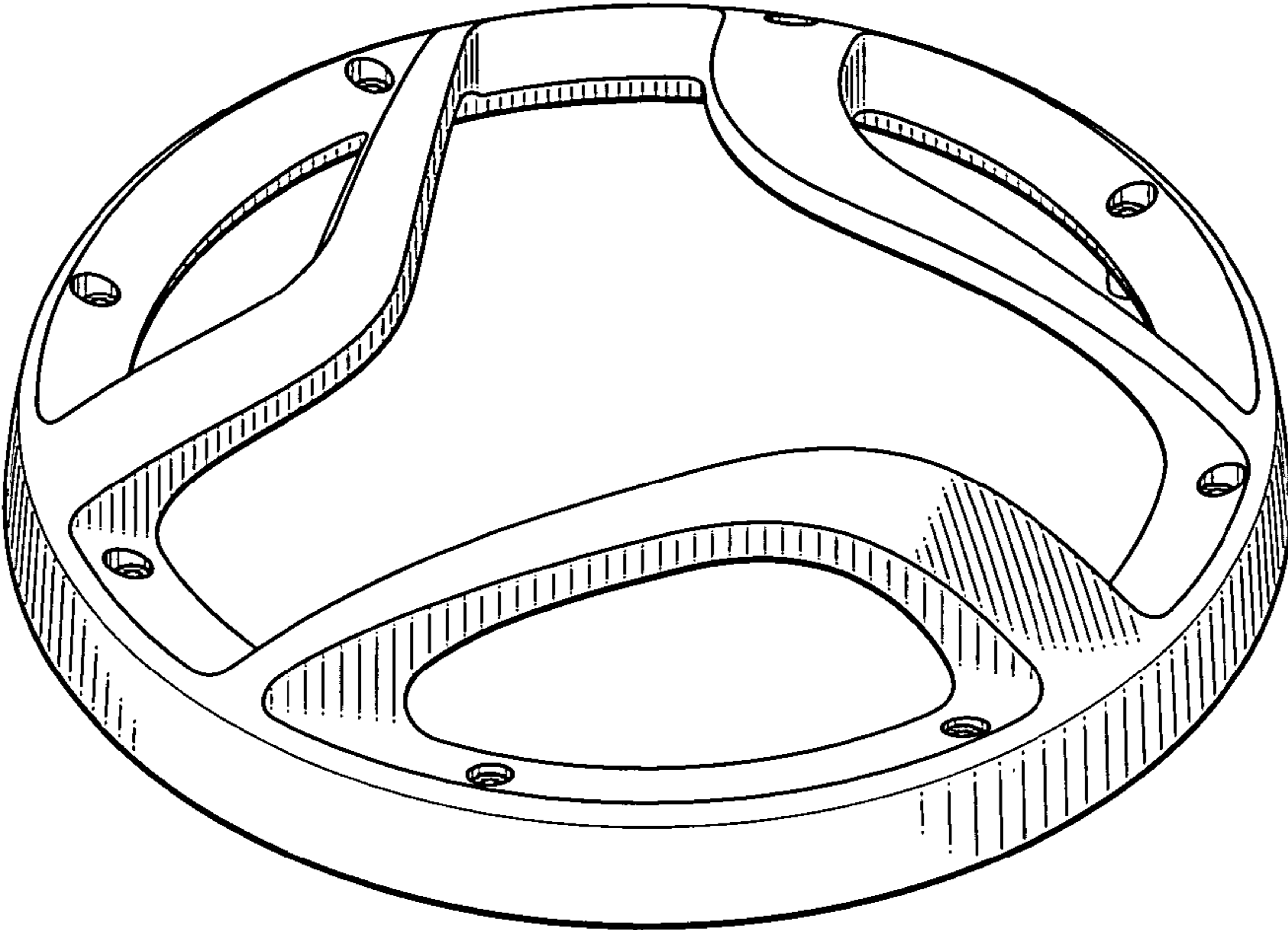


FIG. 1

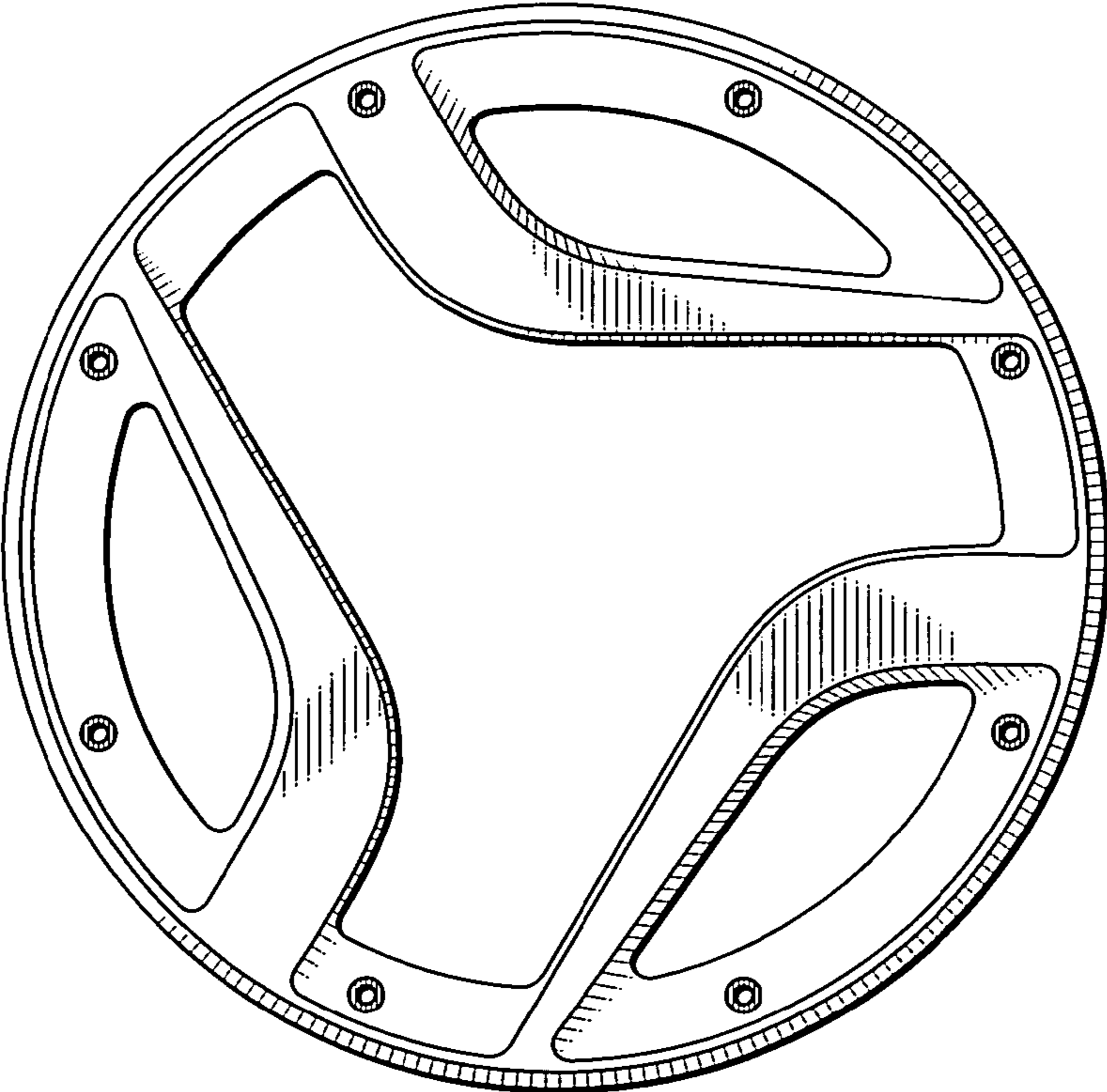


FIG. 2

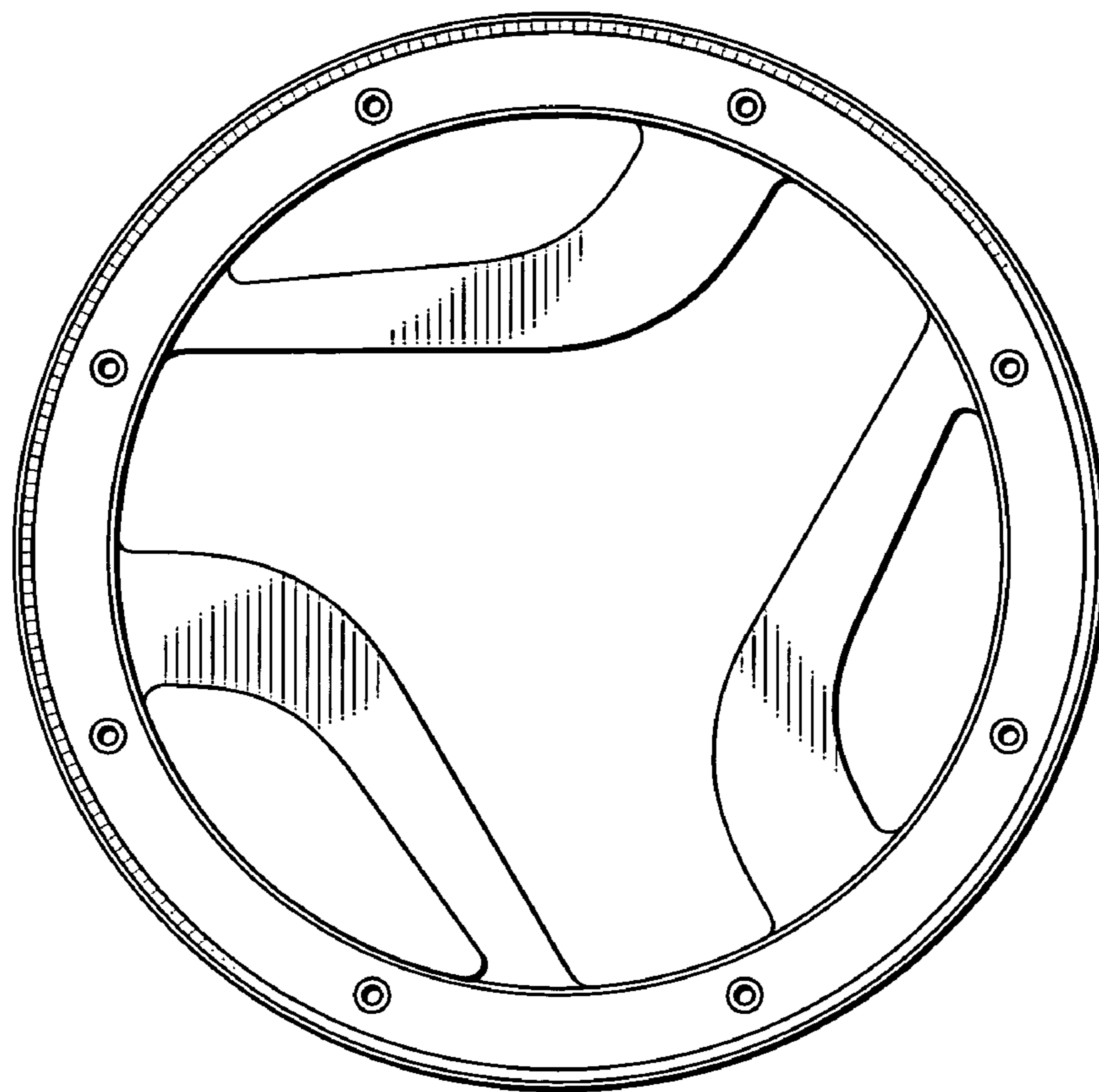


FIG. 3

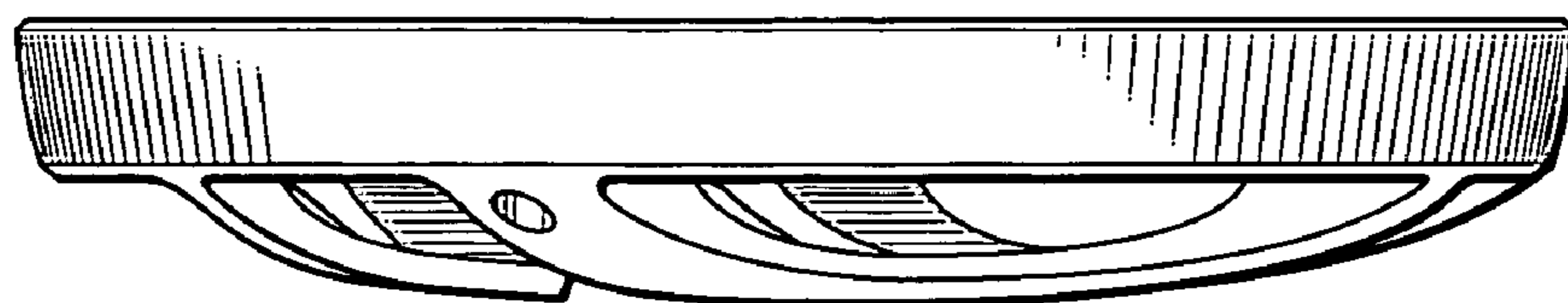


FIG. 4

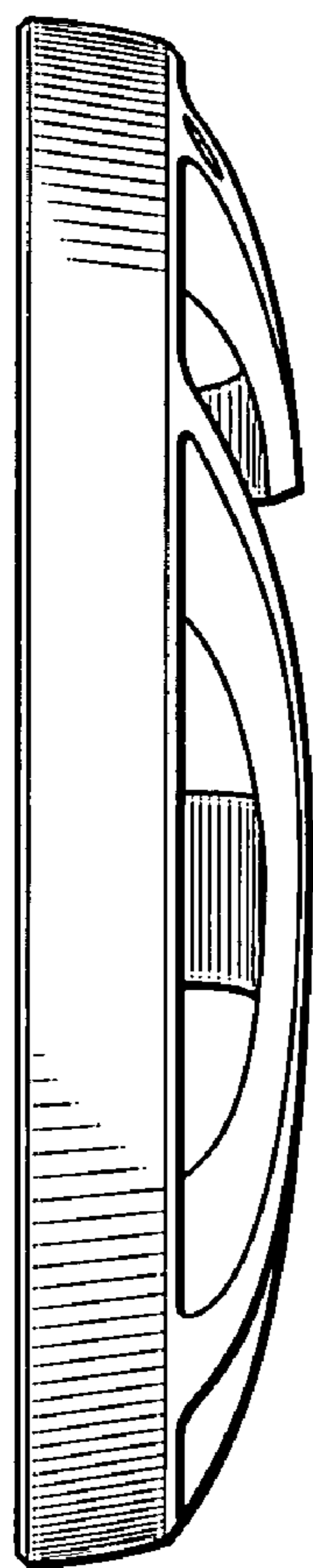


FIG. 5

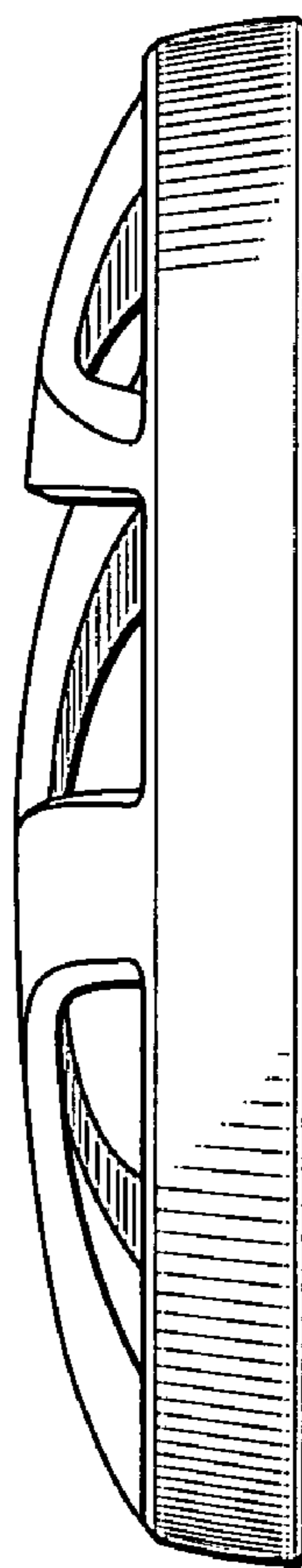


FIG. 6

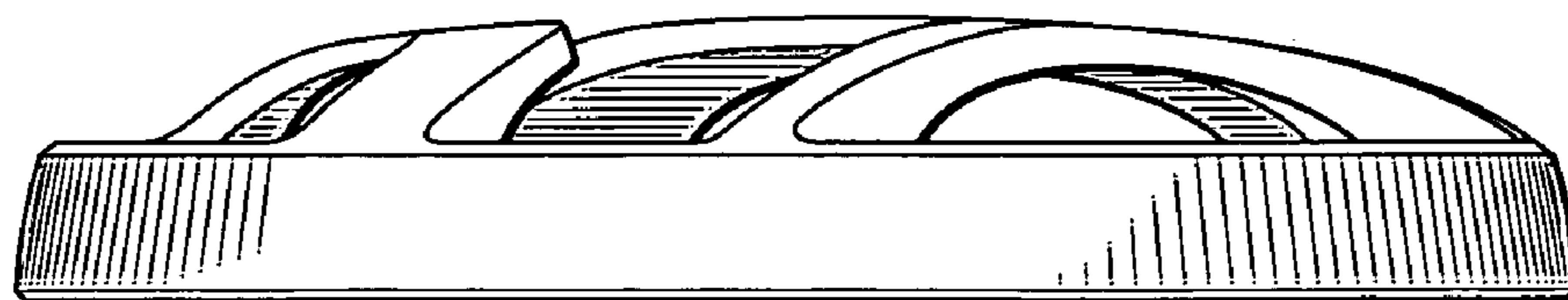


FIG. 7