



US00D601127S

(12) **United States Design Patent**
Rivard et al.

(10) **Patent No.:** **US D601,127 S**
(45) **Date of Patent:** **** Sep. 29, 2009**

(54) **MEDIA PLAYER DOCKING STATION FOR BATHING UNIT OR BOAT**

(75) Inventors: **Myriam Rivard**, Shannon (CA); **Benoit Laflamme**, Quebec (CA); **Mario Joyal**, Quebec (CA); **Martin Bouliane**, Shannon (CA)

(73) Assignee: **Gecko Alliance Group Inc.**, Quebec, Quebec (CA)

(**) Term: **14 Years**

(21) Appl. No.: **29/311,205**

(22) Filed: **Jan. 15, 2009**

Related U.S. Application Data

(62) Division of application No. 29/290,161, filed on Oct. 26, 2007, now Pat. No. Des. 586,787.

(51) **LOC (9) Cl.** **14-03**

(52) **U.S. Cl.** **D14/217**

(58) **Field of Classification Search** D14/137, D14/138, 155, 160-171, 188, 191-198, 217, D14/265, 299, 496; D10/2; 345/156-158; 369/6-12; 370/342-344; 455/90.1-90.3, 455/344-355, 899; D3/273, 274, 294; D8/322, D8/323, 346; D13/107, 108, 118; D29/119
See application file for complete search history.

(56) **References Cited**

U.S. PATENT DOCUMENTS

D342,233 S 12/1993 Berlin et al.
D378,438 S * 3/1997 Sliney D26/119

D395,283 S * 6/1998 Monaco et al. D13/156
D486,452 S 2/2004 Dinh
D517,311 S * 3/2006 Kim D3/218
D549,451 S * 8/2007 Sann D3/294
D550,210 S 9/2007 Polany et al.
D560,170 S 1/2008 Ni
D561,472 S * 2/2008 Nakamura D3/294
D586,787 S * 2/2009 Rivard et al. D14/217
2005/0123161 A1 6/2005 Polany et al.

* cited by examiner

Primary Examiner—Stella M Reid

Assistant Examiner—Keli L Hill

(57) **CLAIM**

We claim the ornamental design for a media player docking station for bathing unit or boat, as shown and described.

DESCRIPTION

FIG. 1 a perspective view of a media playing docking station for bathing unit or boat, embodying our new design;

FIG. 2 is a front elevation view thereof;

FIG. 3 is a left side elevation view thereof;

FIG. 4 is a right side elevation view thereof;

FIG. 5 is a bottom plan view thereof;

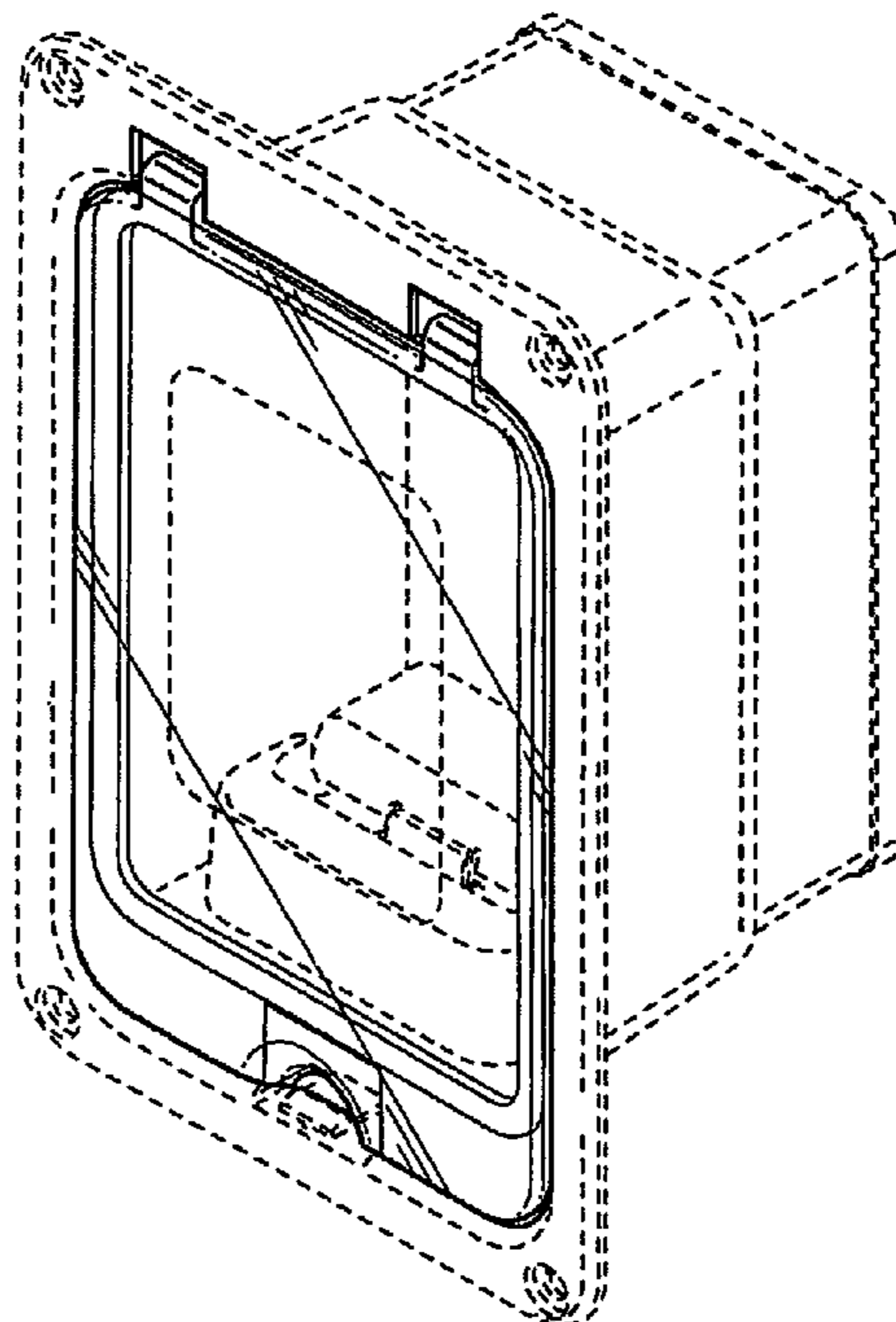
FIG. 6 is a top plan view thereof;

FIG. 7 is an alternate front elevation view thereof, wit the cover shown in an open position; and,

FIG. 8 is a rear elevation view thereof.

The broken lines are included for the purpose of illustration and form no part of the claimed design.

1 Claim, 6 Drawing Sheets



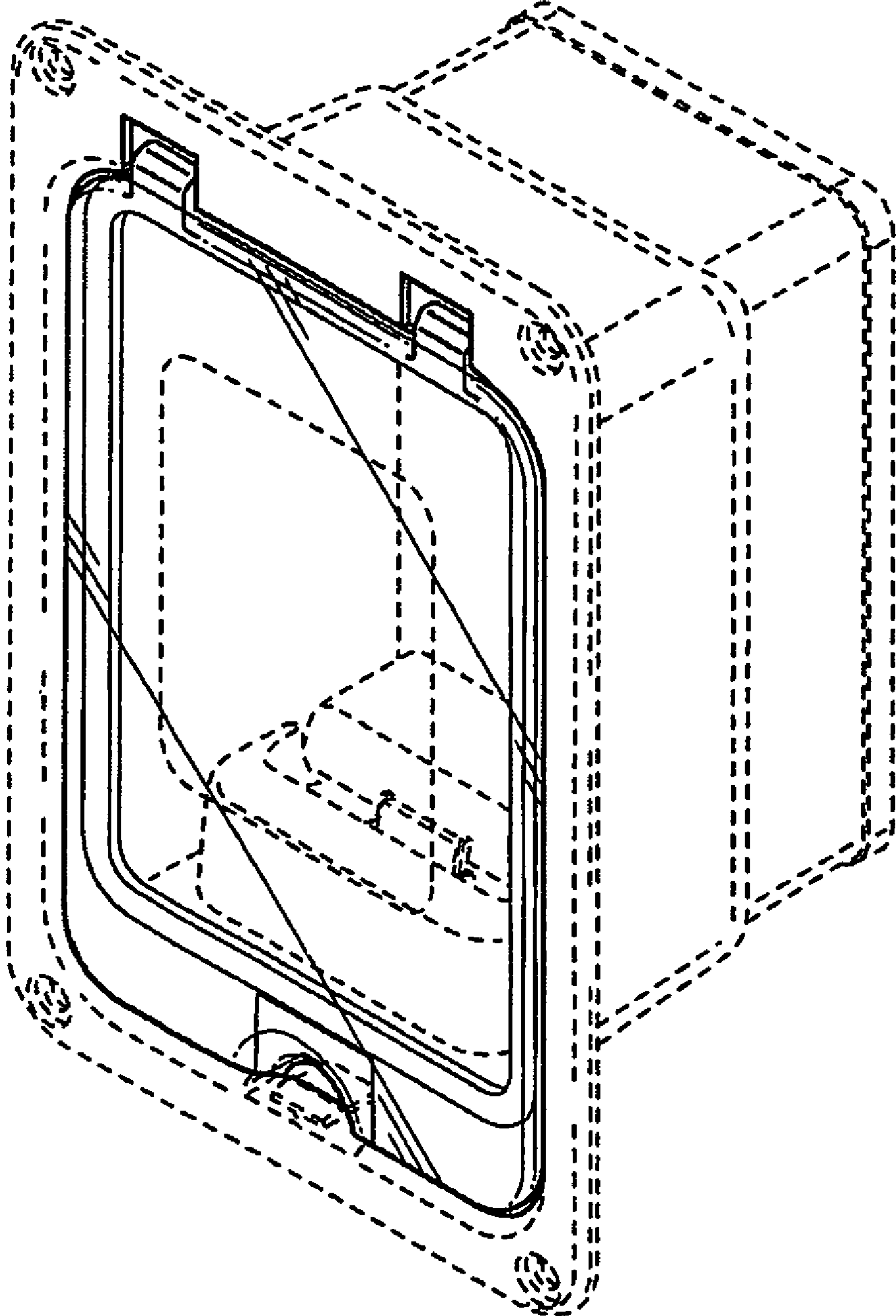


FIG. 1

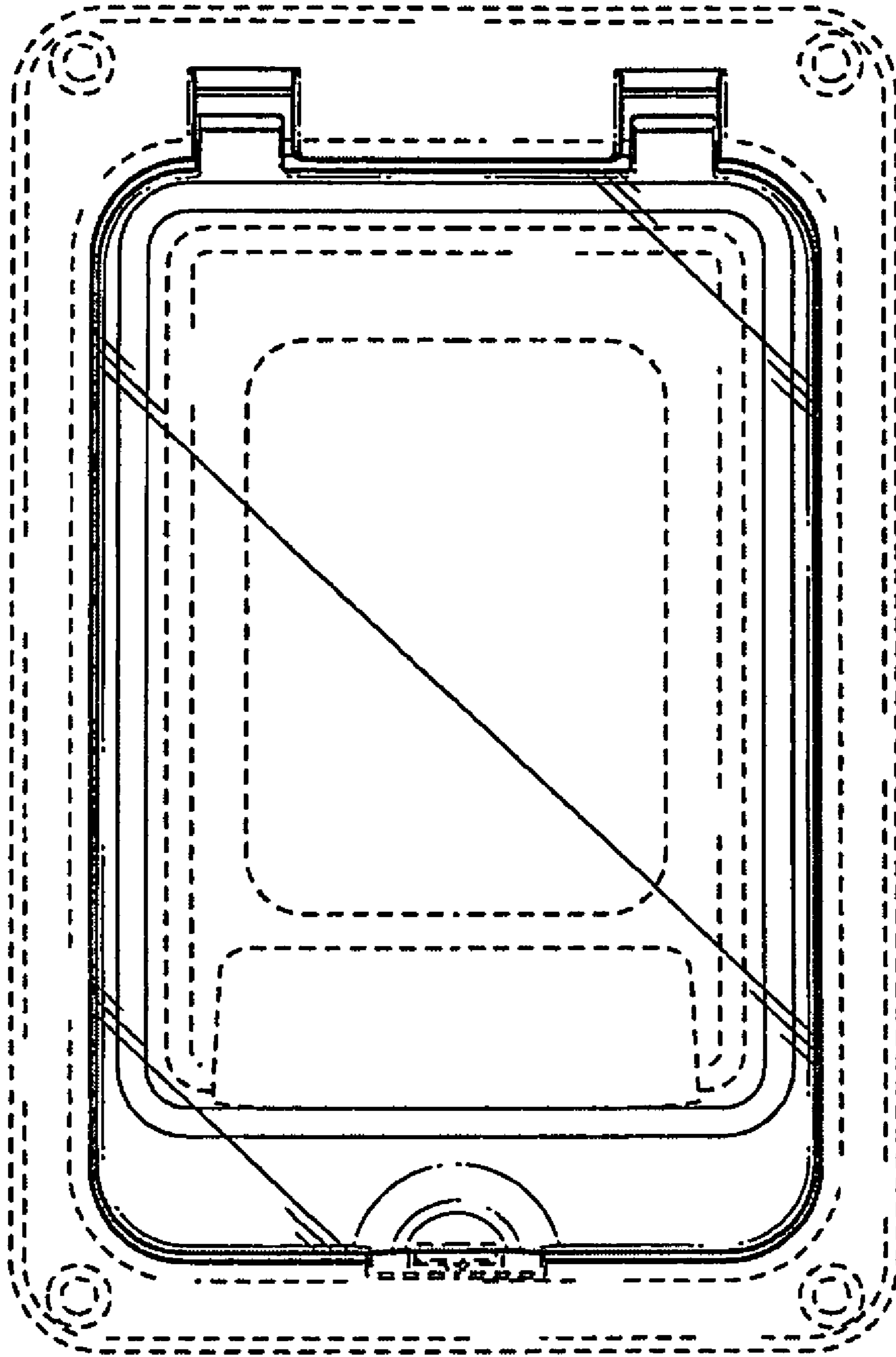


FIG. 2

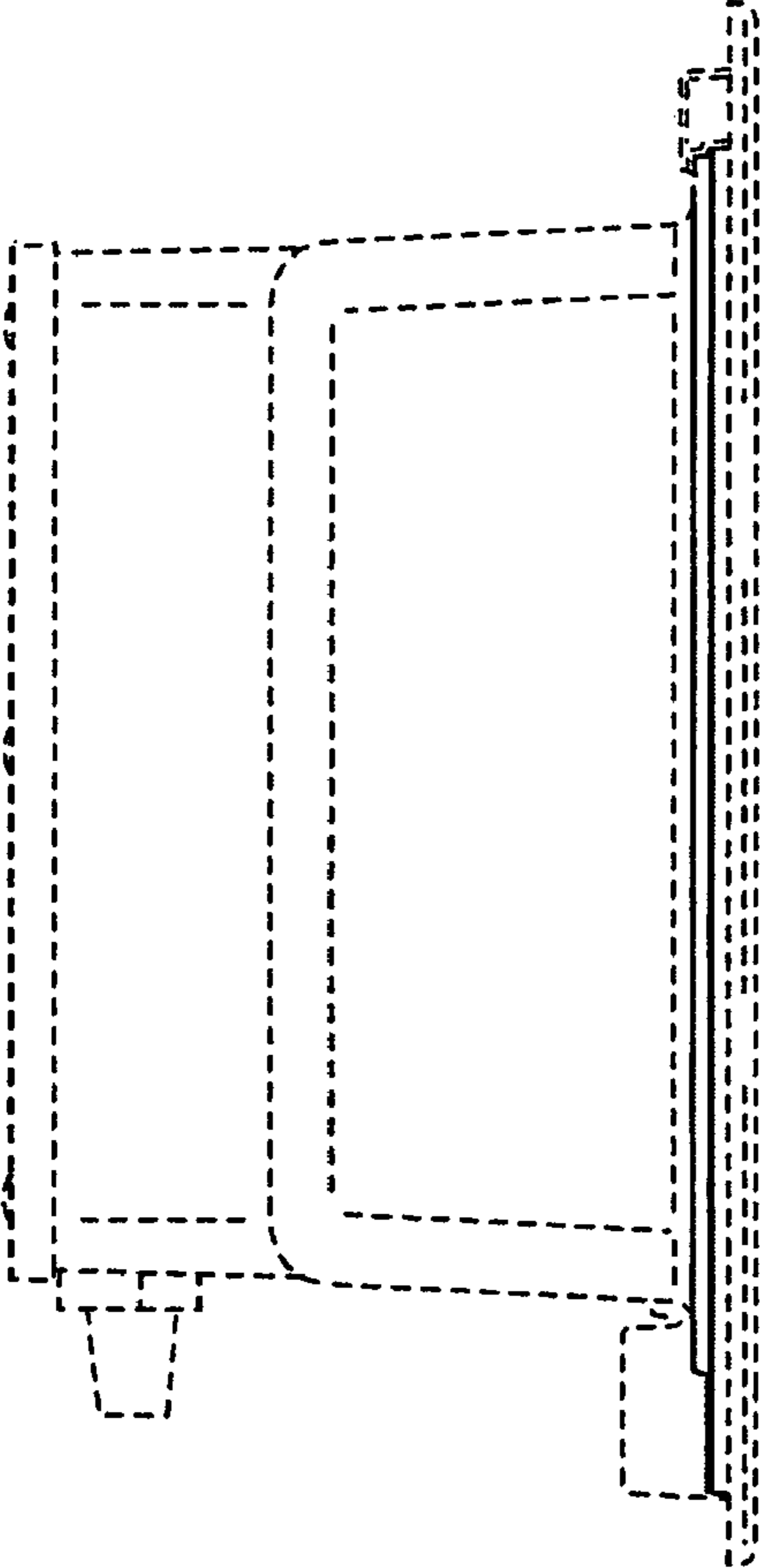


FIG. 3

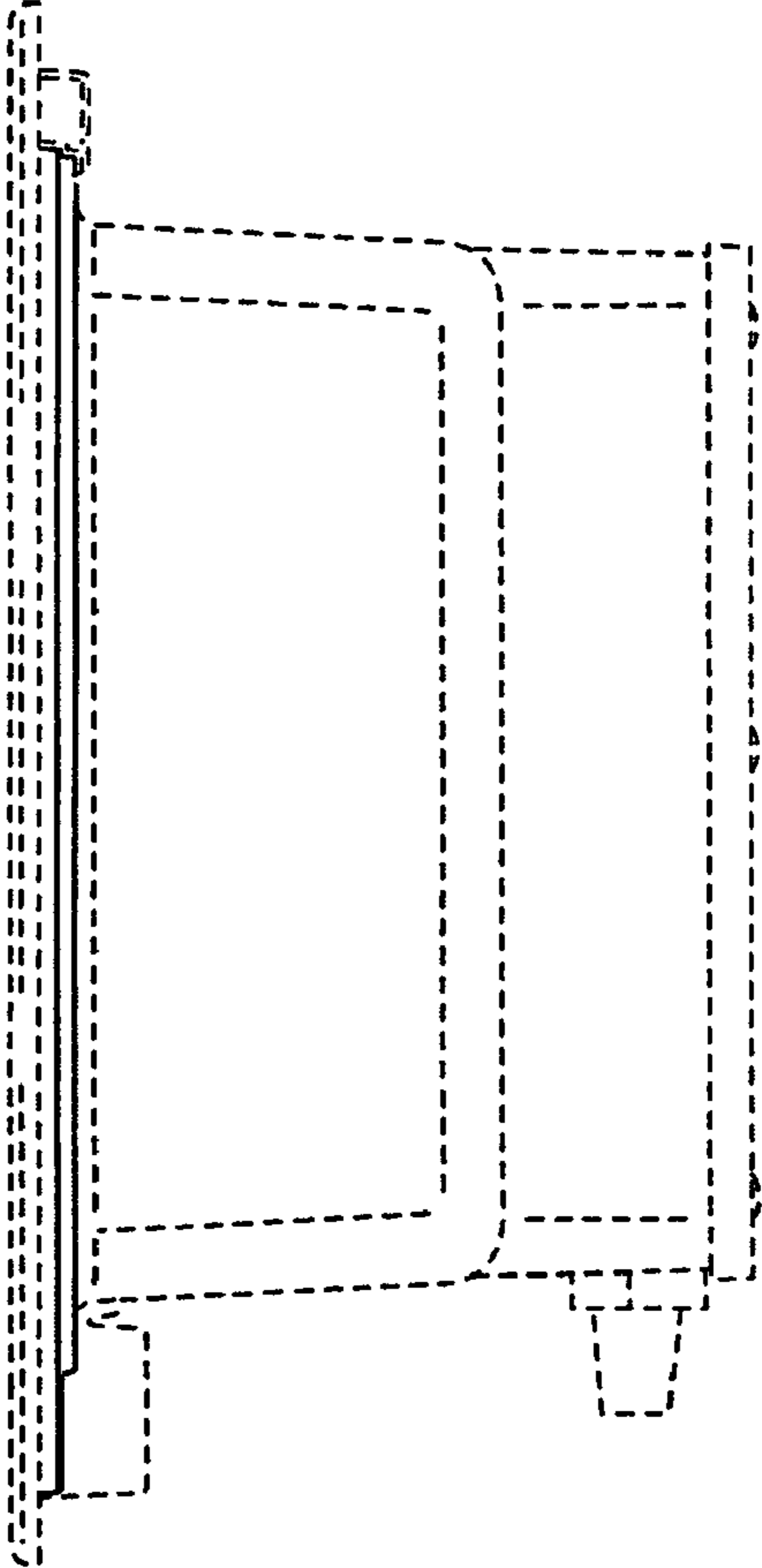


FIG. 4

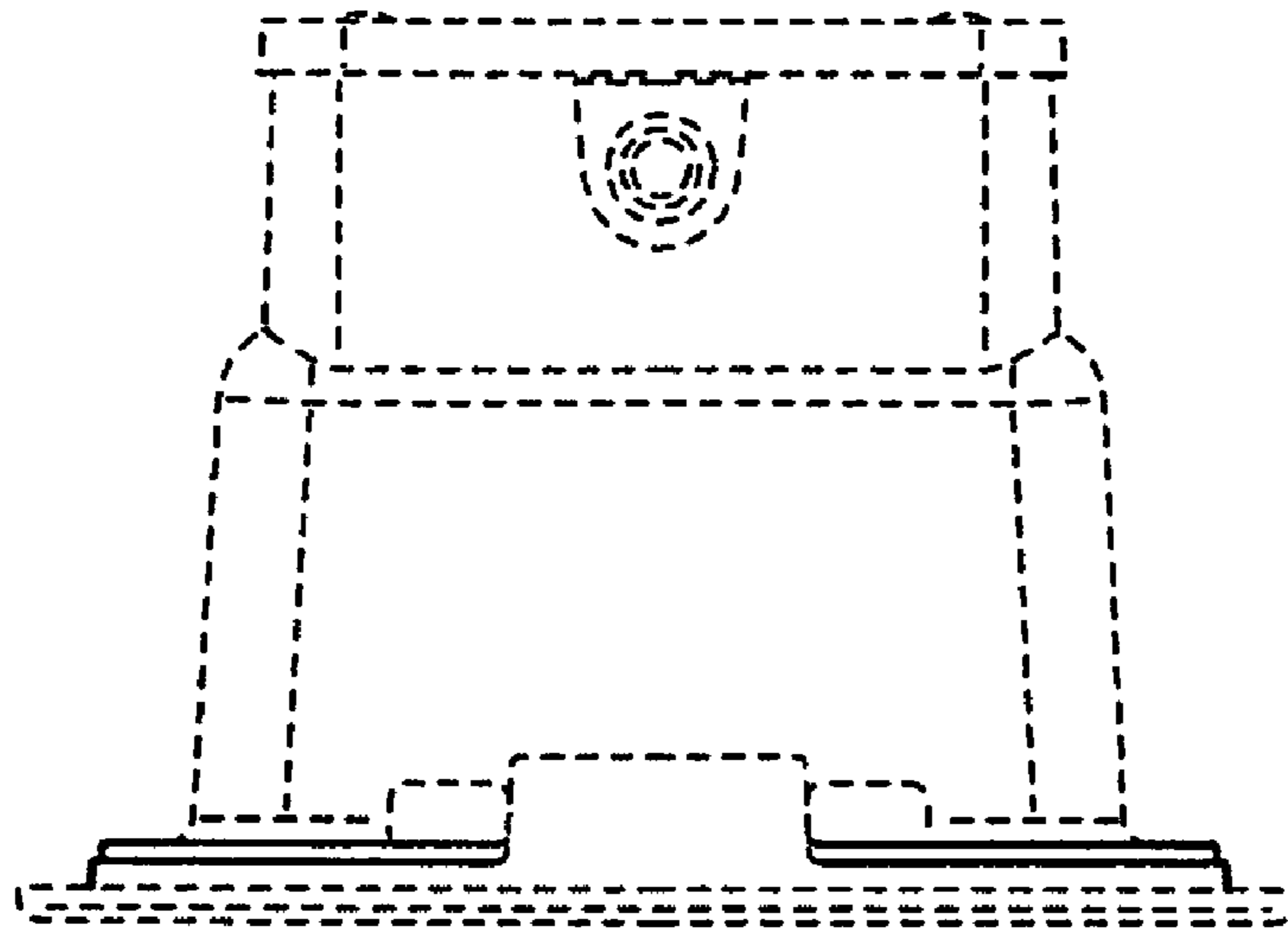


FIG. 5

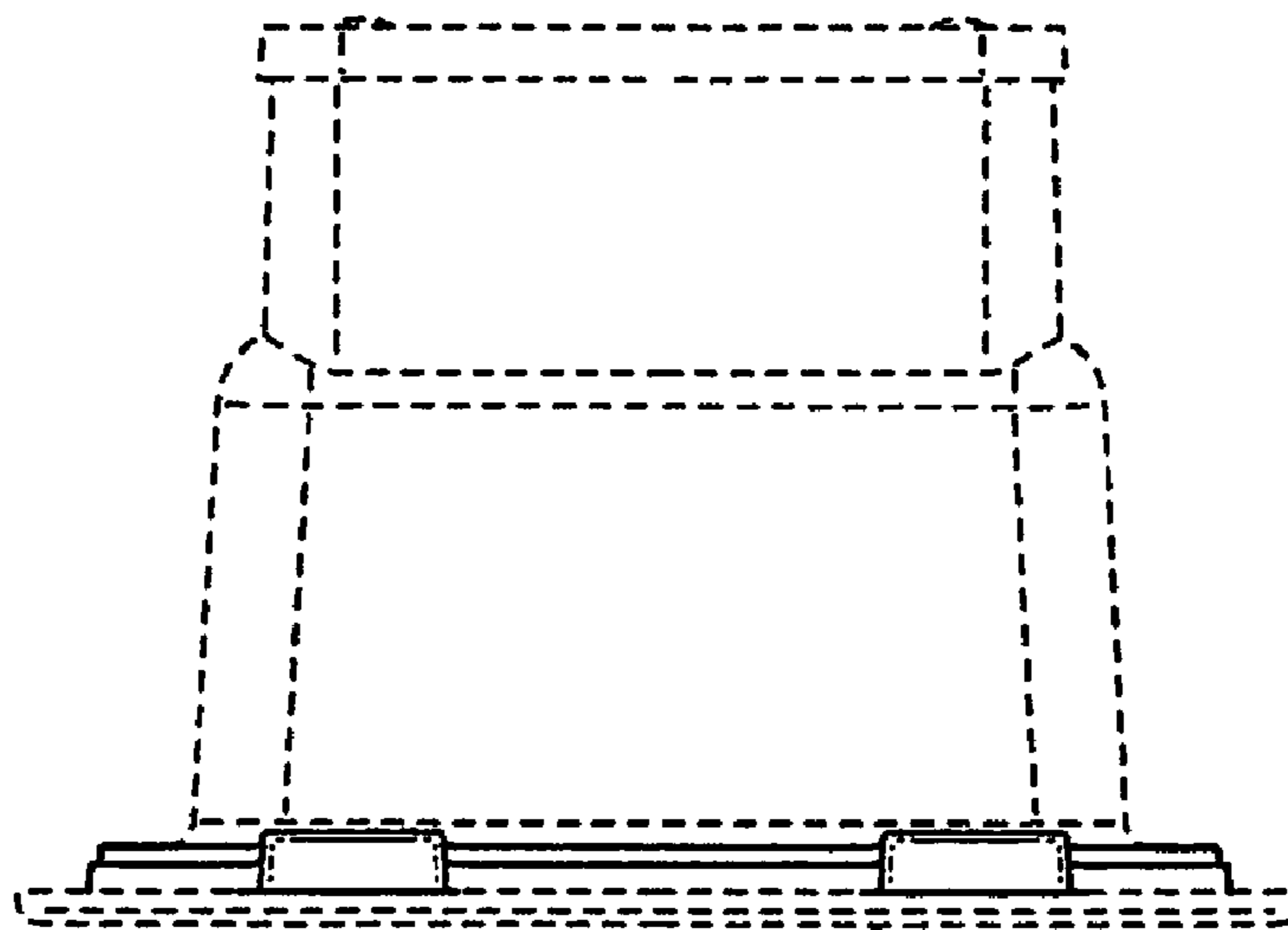


FIG. 6

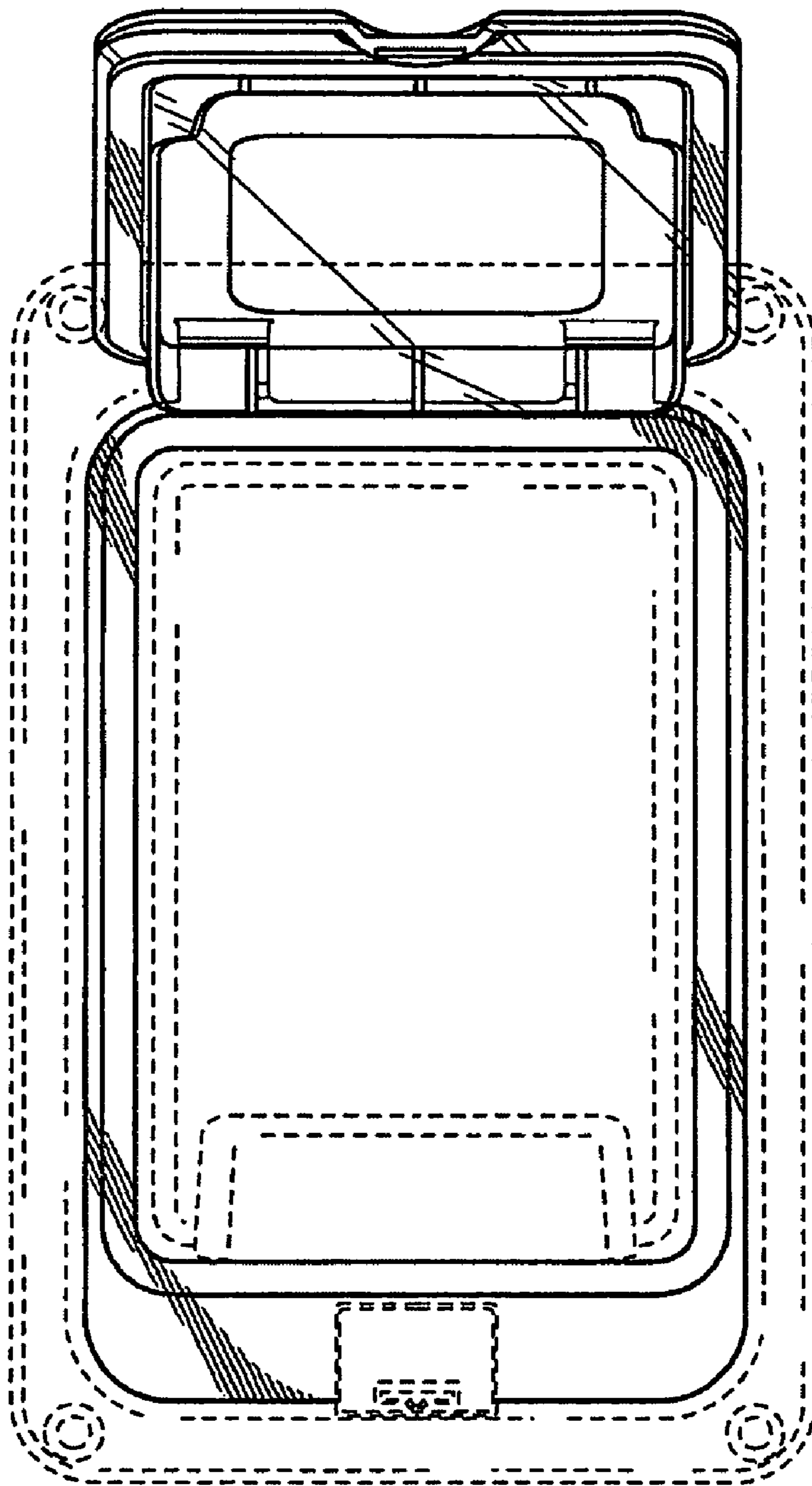


FIG. 7

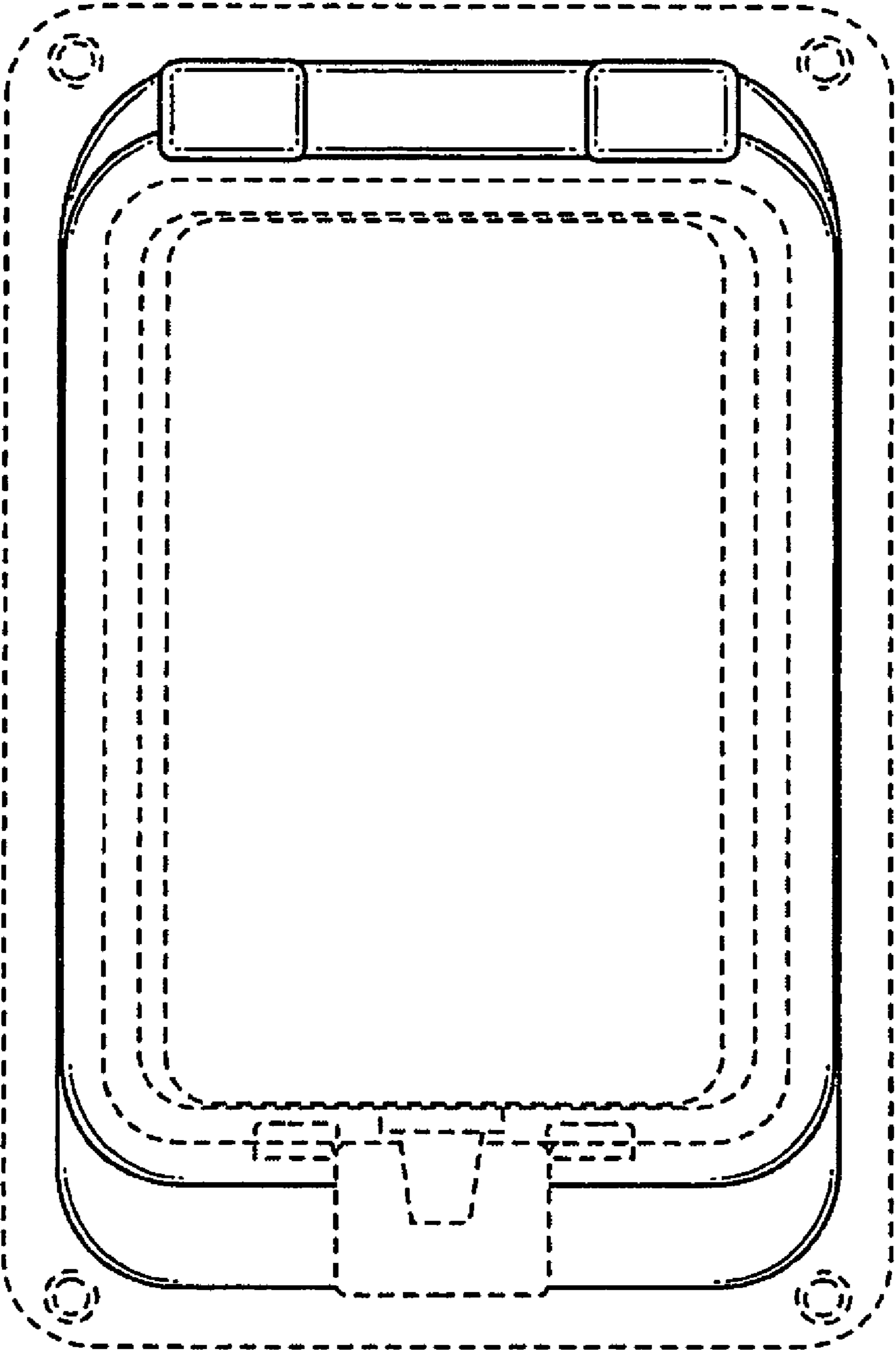


FIG. 8