



US00D601126S

(12) **United States Design Patent**  
**Christopher et al.**

(10) **Patent No.:** **US D601,126 S**  
(45) **Date of Patent:** **\*\* Sep. 29, 2009**

(54) **AUDIO HEADSET**

(75) Inventors: **Stephen M Christopher**, Clifton, NJ  
(US); **Joseph R Meersman**, Chicago, IL  
(US)

(73) Assignee: **Motorola, Inc**, Schaumburg, IL (US)

(\*\*) Term: **14 Years**

(21) Appl. No.: **29/329,645**

(22) Filed: **Dec. 18, 2008**

(51) **LOC (9) Cl.** ..... **14-01**

(52) **U.S. Cl.** ..... **D14/206**

(58) **Field of Classification Search** ..... D14/188,  
D14/192, 205, 206, 223, 142; 181/128, 129,  
181/130; 381/381, 370, 330, 322, 324; 379/430,  
379/433.01; D24/174; 455/575.1, 575.2,  
455/90

See application file for complete search history.

(56) **References Cited**

**U.S. PATENT DOCUMENTS**

3,209,080	A *	9/1965	Guttner et al.	381/330
4,073,366	A *	2/1978	Estes	181/158
4,291,203	A *	9/1981	Bellafore	381/328
D272,904	S *	3/1984	Kawano	D14/205
4,453,050	A *	6/1984	Enokido	381/381
4,456,795	A *	6/1984	Saito	381/317
D284,859	S *	7/1986	Okada	D14/192
4,742,887	A *	5/1988	Yamagishi	181/129
D318,670	S *	7/1991	Taniguchi	D14/205
5,373,555	A *	12/1994	Norris et al.	379/430
5,412,736	A *	5/1995	Keliiliki	381/381
5,450,496	A *	9/1995	Burris et al.	381/375
5,625,171	A *	4/1997	Marshall	181/130

5,812,659	A *	9/1998	Mauney et al.	379/430
D443,261	S *	6/2001	Yuyama	D14/223
D460,749	S *	7/2002	Liu	D14/206
6,427,018	B1 *	7/2002	Keliiliki	381/381
D482,022	S *	11/2003	Nakano	D14/223
D506,462	S *	6/2005	Han et al.	D14/205
D508,911	S *	8/2005	Sanders	D14/223
D510,085	S *	9/2005	Suzuki	D14/223
D541,787	S	5/2007	Ma	
D543,968	S *	6/2007	Wong	D14/205
D556,735	S *	12/2007	Yeo	D14/206
7,526,096	B2 *	4/2009	Harrison et al.	381/330

\* cited by examiner

*Primary Examiner*—Paula Greene

(57) **CLAIM**

The ornamental design for an audio headset, as shown and described.

**DESCRIPTION**

FIG. 1 is a perspective view of an ornamental design for an audio headset;

FIG. 2 is a front view thereof;

FIG. 3 is a rear view thereof;

FIG. 4 is a first side view thereof;

FIG. 5 is a second side view thereof;

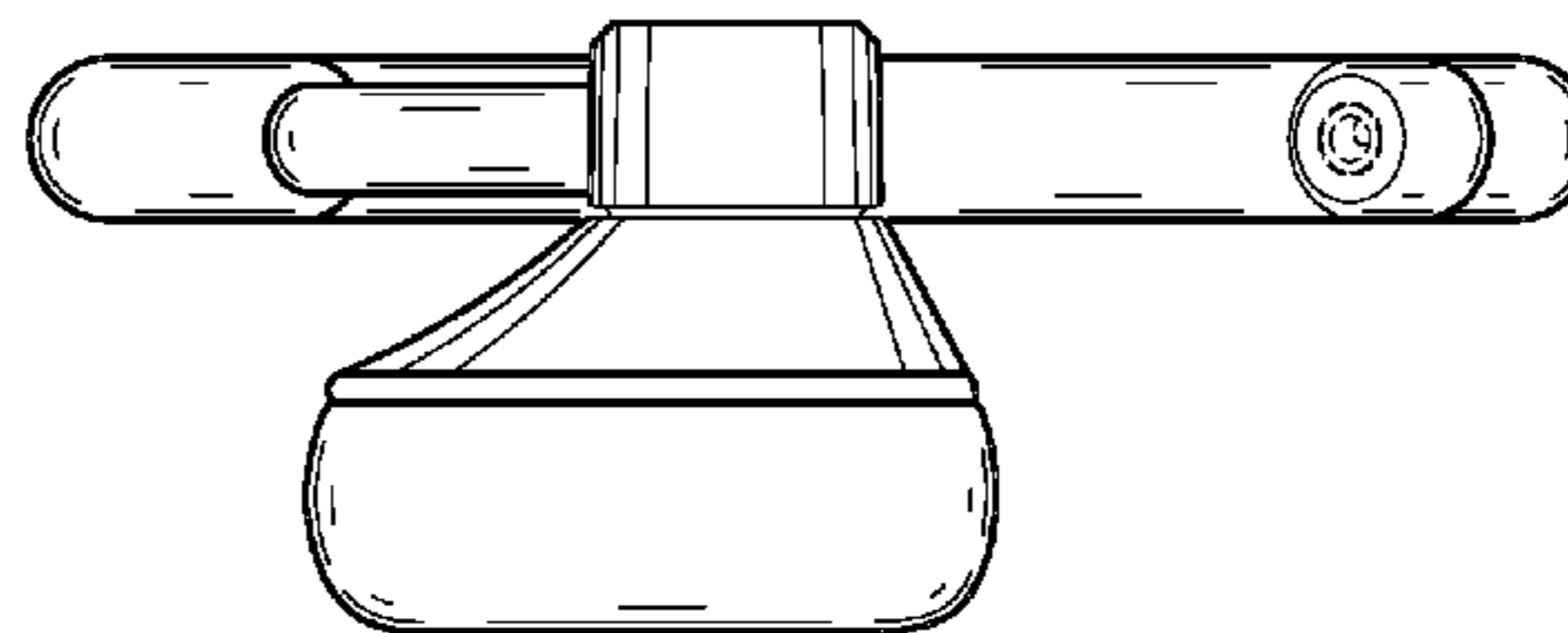
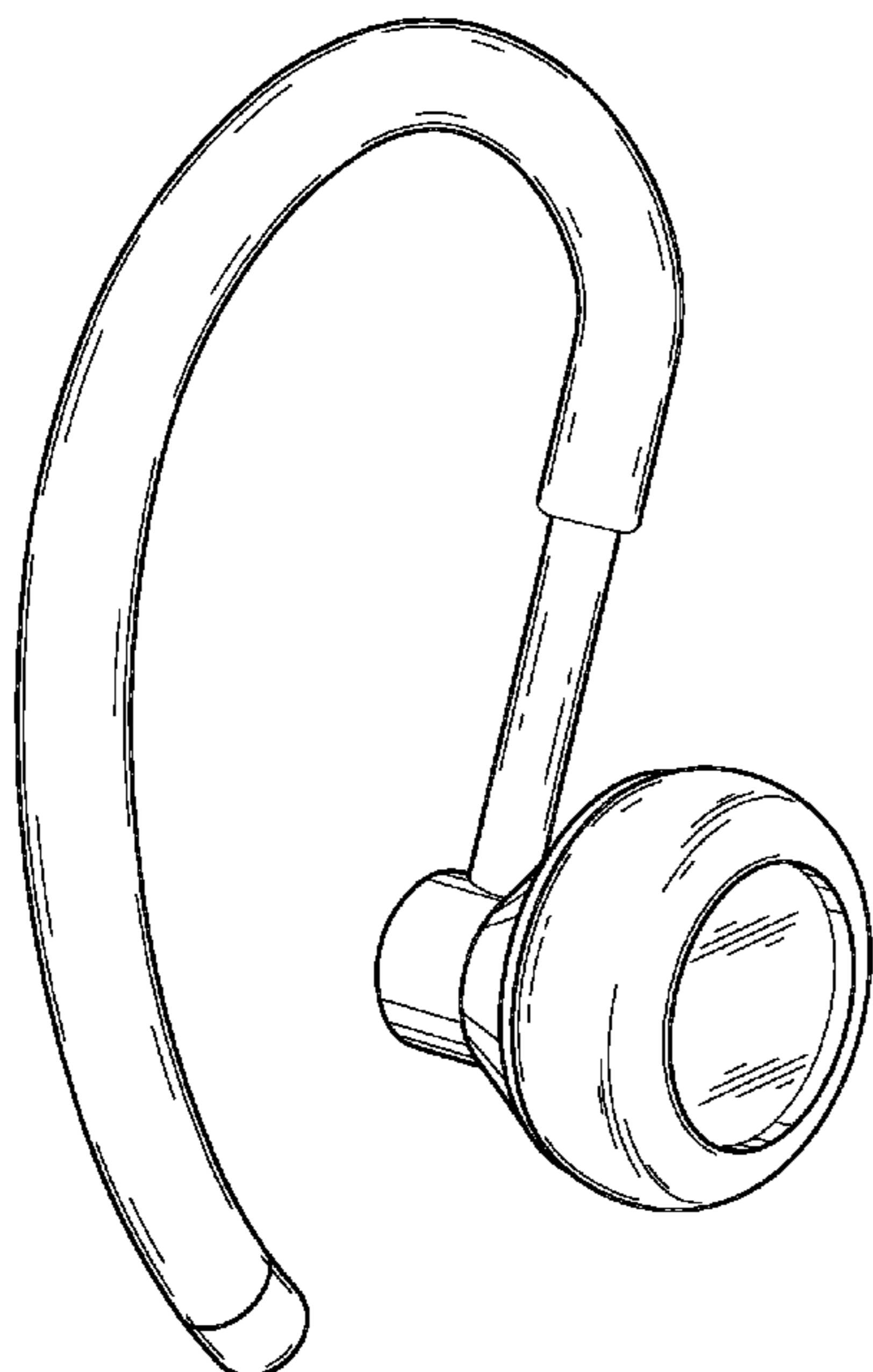
FIG. 6 is a bottom view thereof;

FIG. 7 is a top view thereof; and,

FIG. 8 is a perspective view thereof.

The broken line in FIGS. 1–8 showing environmental structures is for illustrative purposes and forms no part of the claim design.

**1 Claim, 5 Drawing Sheets**



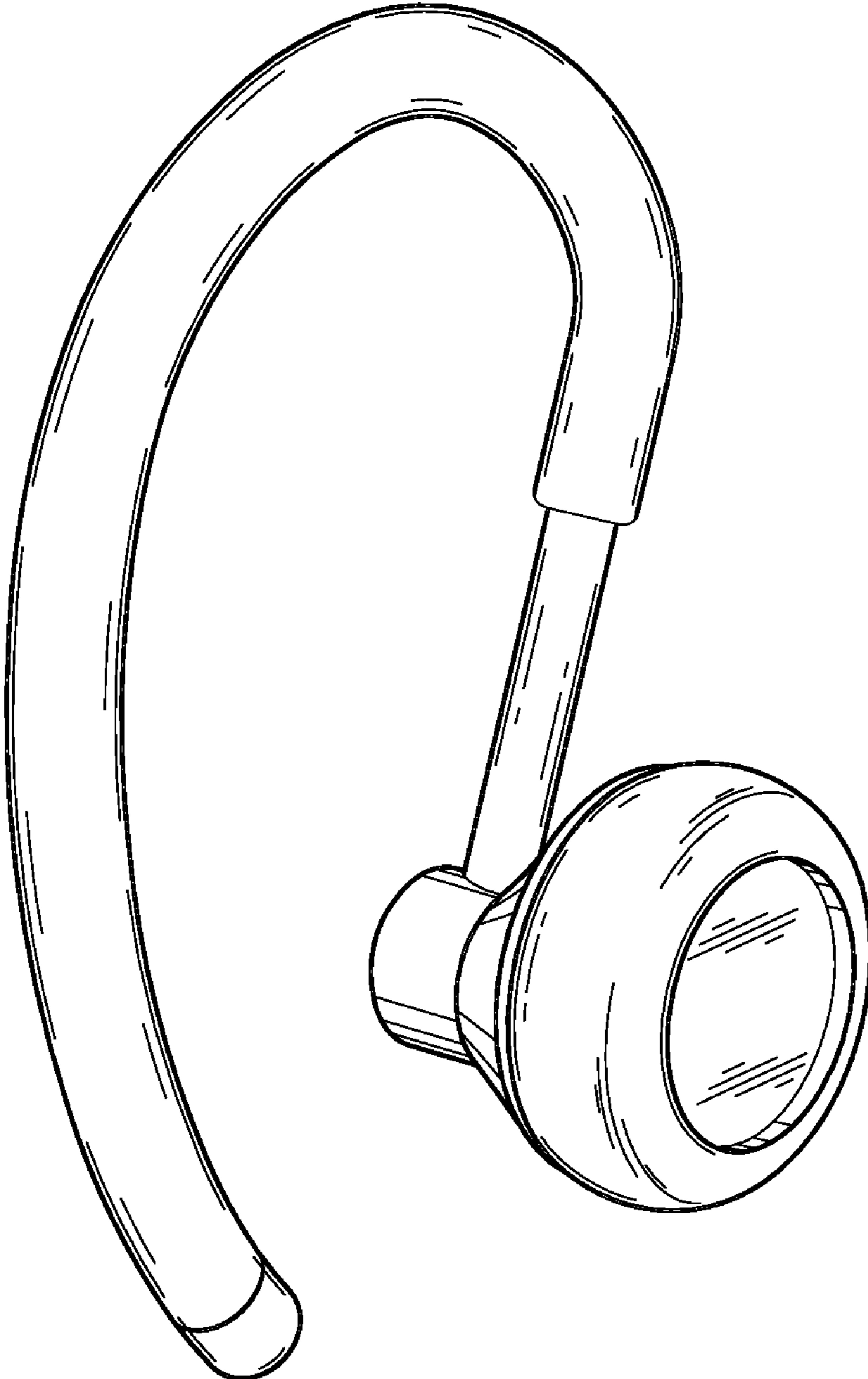


FIG. 1

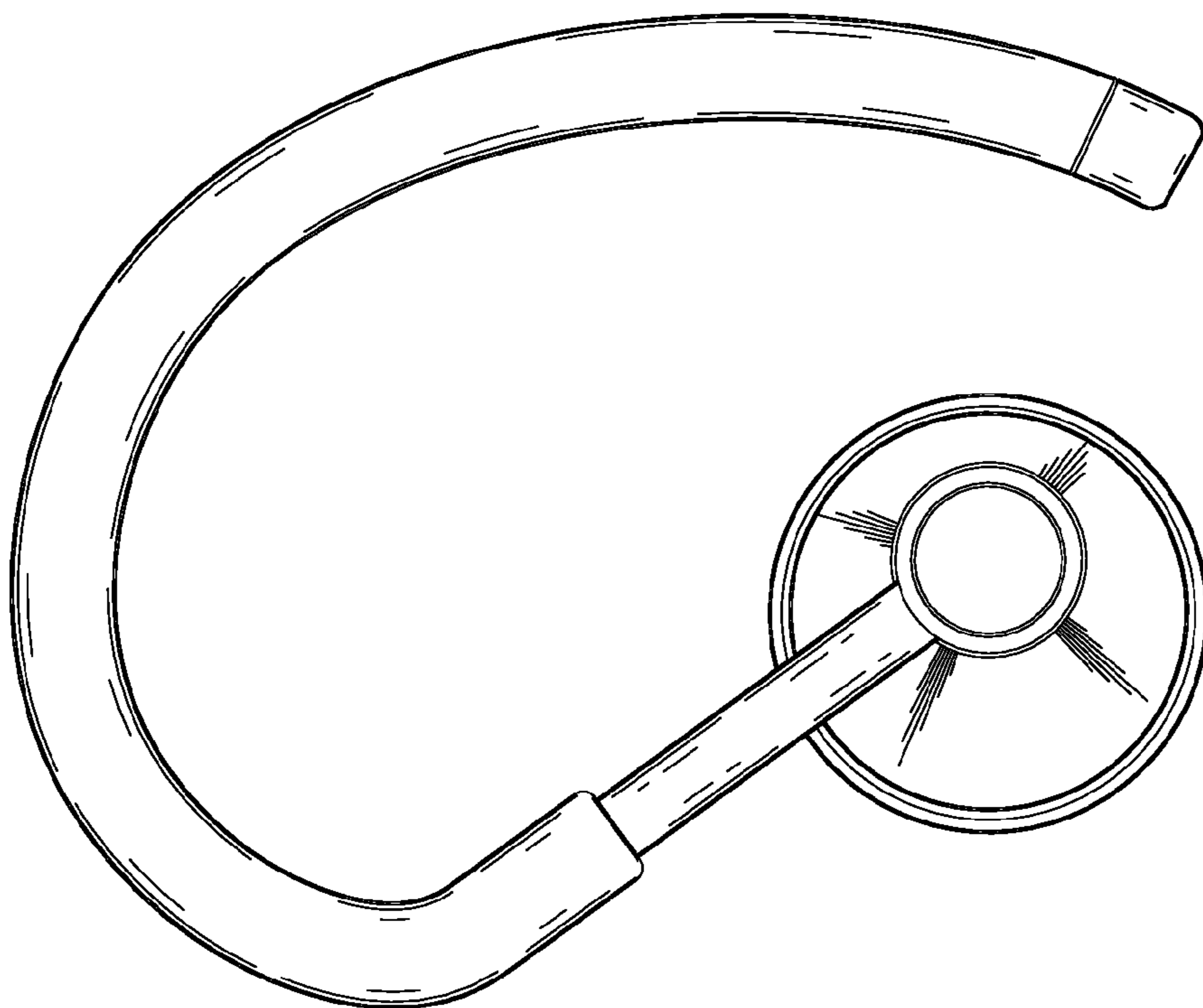


FIG. 3

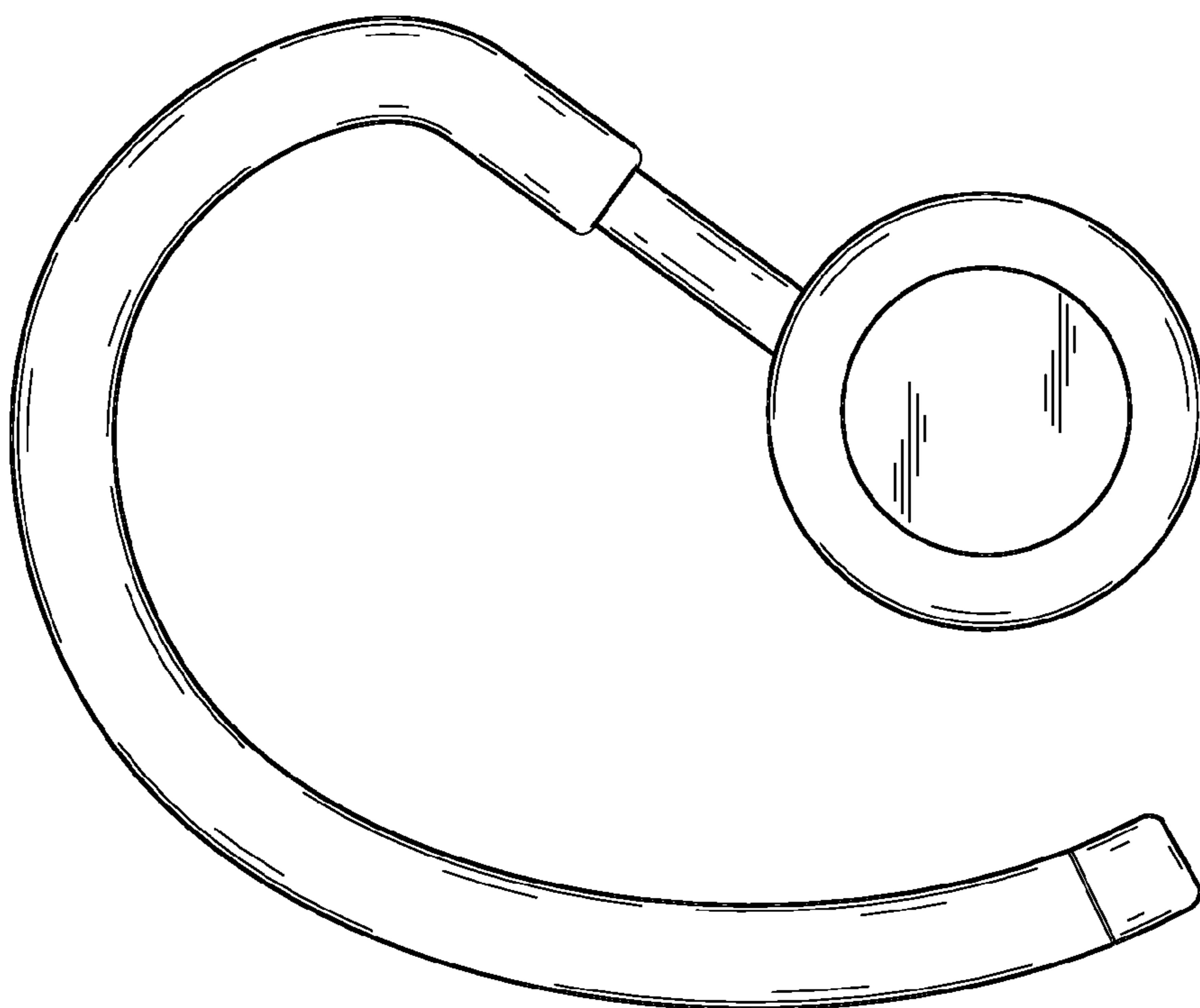


FIG. 2

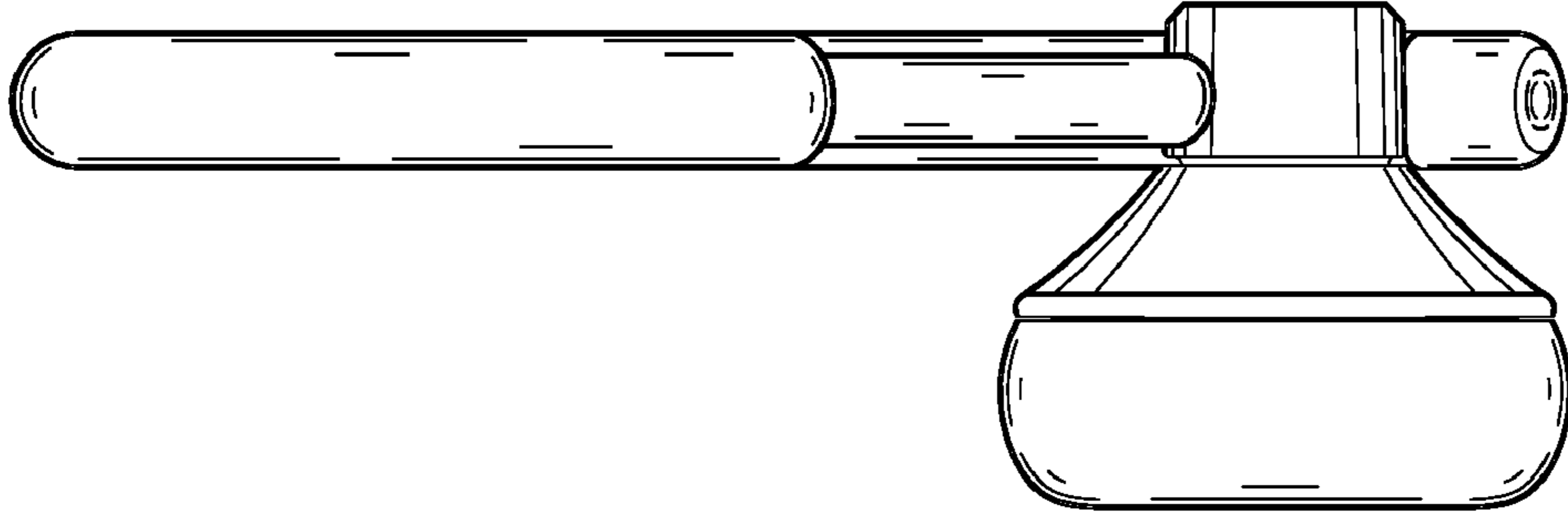


FIG. 5

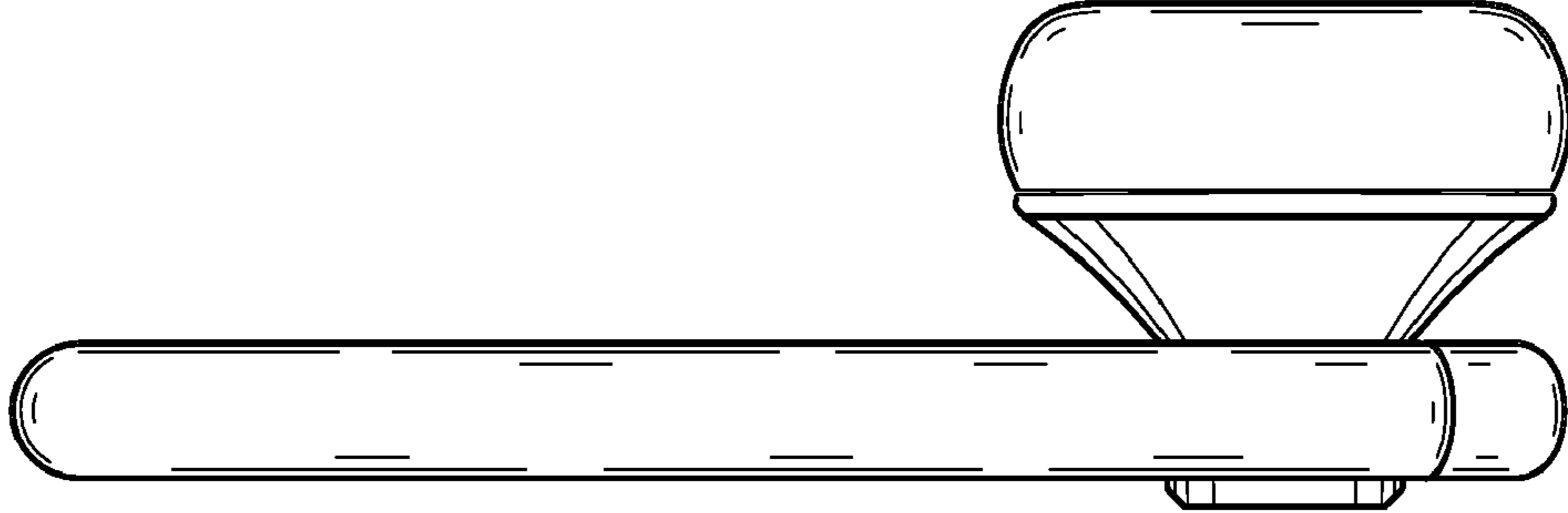


FIG. 4

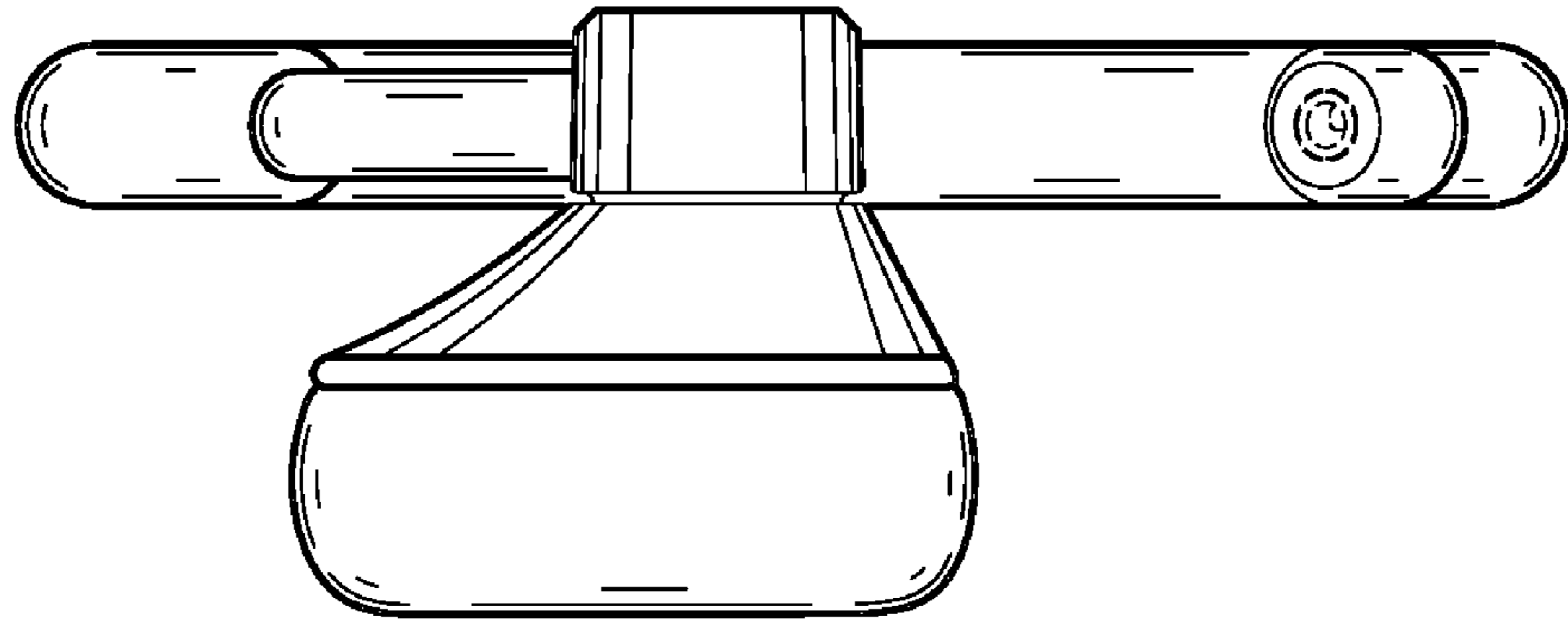


FIG. 6

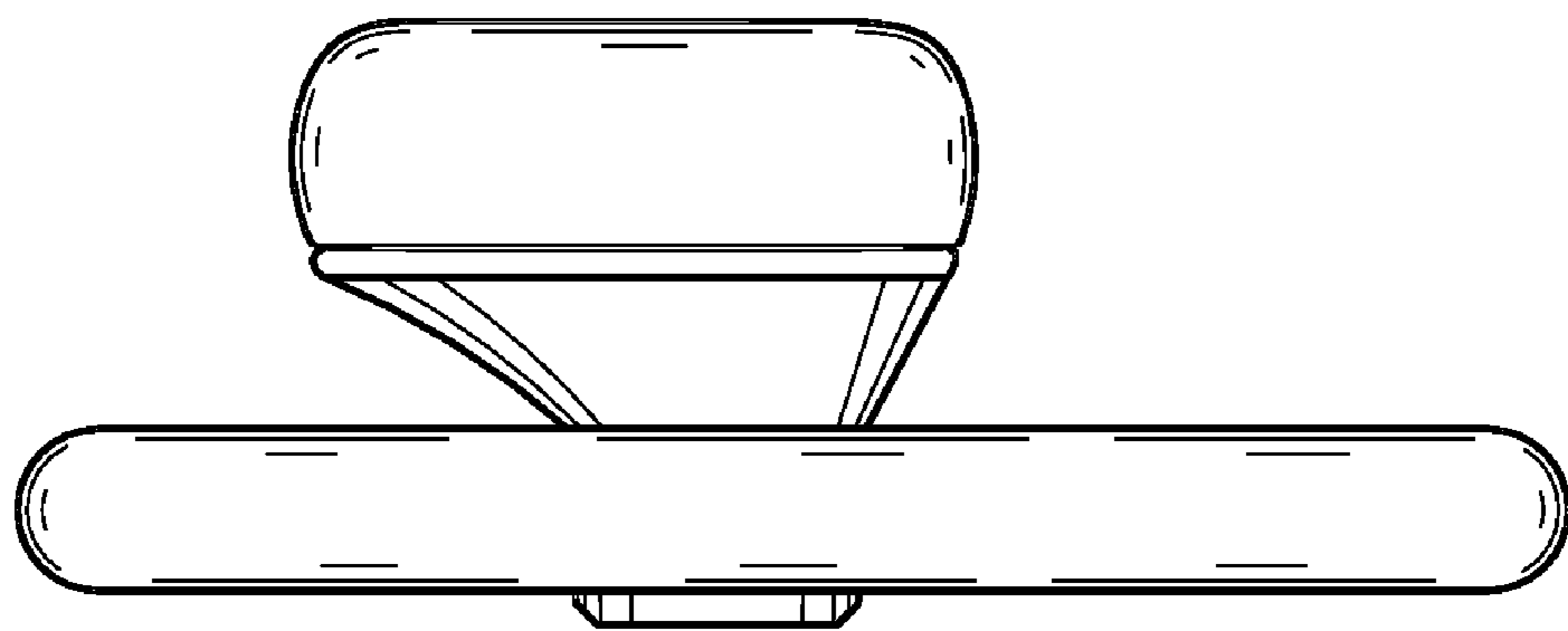


FIG. 7

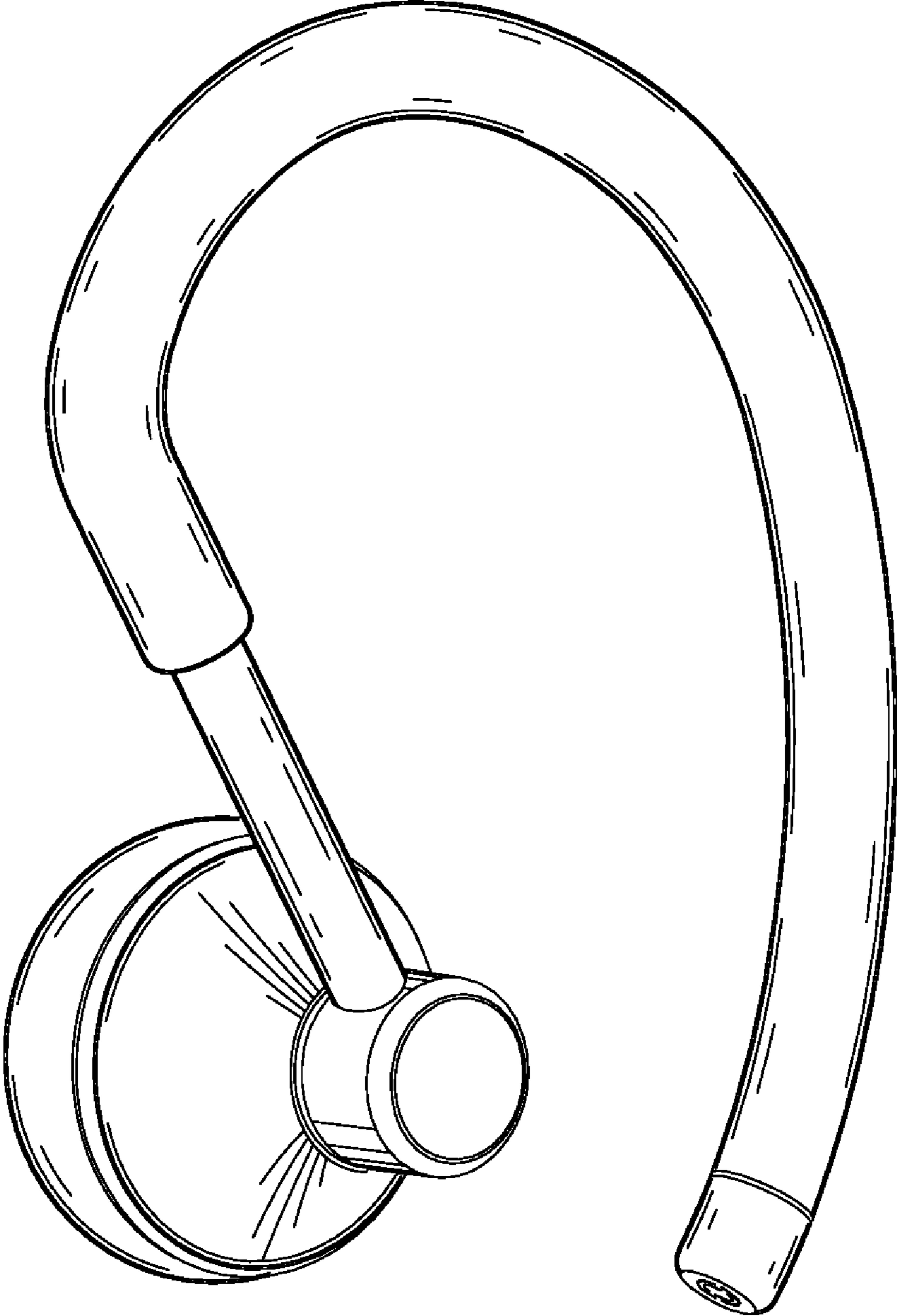


FIG. 8