



US00D601125S

(12) **United States Design Patent**
Komiyama

(10) **Patent No.:** **US D601,125 S**
(45) **Date of Patent:** **** Sep. 29, 2009**

(54) **HEADSET**

(75) Inventor: **Jun Komiyama**, Tokyo (JP)

(73) Assignee: **Sony Corporation**, Tokyo (JP)

(**) Term: **14 Years**

(21) Appl. No.: **29/309,970**

(22) Filed: **Nov. 24, 2008**

(30) **Foreign Application Priority Data**

Jul. 31, 2008 (JP) 2008-019738

(51) **LOC (9) Cl.** **14-01**

(52) **U.S. Cl.** **D14/205**

(58) **Field of Classification Search** D14/205,
D14/206, 223, 192; 381/378, 379, 380, 381;
455/568, 344, 351, 569.1; 379/430, 431,
379/433; 181/129, 130; 2/209; D29/112
See application file for complete search history.

(56) **References Cited**

U.S. PATENT DOCUMENTS

| | | | | | |
|-----------|------|---------|-------------------|-------|-----------|
| 2,501,107 | A * | 3/1950 | Volkman | | 381/378 |
| 3,217,831 | A * | 11/1965 | Scanlon | | 181/135 |
| D340,033 | S * | 10/1993 | Okumura et al. | | D14/192 |
| D342,946 | S * | 1/1994 | Hyogo | | D14/192 |
| D342,947 | S * | 1/1994 | Totsuka | | D14/192 |
| D346,380 | S * | 4/1994 | Fitzgerald | | D14/138 R |
| D368,716 | S * | 4/1996 | Shudo | | D14/205 |
| D381,336 | S * | 7/1997 | Bungardt et al. | | D14/205 |
| 5,691,515 | A * | 11/1997 | Landis | | 181/129 |
| D388,788 | S * | 1/1998 | Zeitman | | D14/192 |
| D399,206 | S | 10/1998 | Yasutomi et al. | | |
| 5,841,858 | A * | 11/1998 | Frierson | | 379/430 |
| D409,197 | S * | 5/1999 | Nakamura | | D14/205 |
| D418,509 | S * | 1/2000 | Zeitman | | D14/192 |
| D425,888 | S * | 5/2000 | Fitzgerald | | D14/142 |
| 6,056,082 | A * | 5/2000 | Lindgren et al. | | 181/130 |
| D453,015 | S | 1/2002 | Yuyama | | |
| D456,379 | S * | 4/2002 | Fitzgerald | | D14/142 |
| D459,337 | S | 6/2002 | Mori | | |
| 6,695,477 | B1 * | 2/2004 | Nishiguchi et al. | | 381/74 |

| | | | | | |
|-----------|------|---------|----------|-------|---------|
| 6,721,433 | B2 * | 4/2004 | Sato | | 381/379 |
| D501,464 | S | 2/2005 | Hirano | | |
| D501,844 | S | 2/2005 | Hirano | | |
| D502,167 | S | 2/2005 | Hirano | | |
| D504,672 | S | 5/2005 | Hirano | | |
| D512,992 | S | 12/2005 | Murakami | | |
| D575,872 | S * | 8/2008 | Pedersen | | D24/174 |
| D587,678 | S * | 3/2009 | Yuyama | | D14/205 |
| D587,679 | S * | 3/2009 | Komiyama | | D14/205 |
| D587,680 | S * | 3/2009 | Komiyama | | D14/205 |
| D588,099 | S * | 3/2009 | Yuyama | | D14/205 |
| D590,810 | S * | 4/2009 | Komiyama | | D14/205 |

FOREIGN PATENT DOCUMENTS

| | | | |
|----|----------|---|---------|
| JP | D1124098 | S | 10/2001 |
| JP | D1338706 | S | 9/2008 |
| JP | D1338707 | S | 9/2008 |
| JP | D1338709 | S | 9/2008 |
| JP | D1338710 | S | 9/2008 |

OTHER PUBLICATIONS

U.S. Appl. No. 29/300,374, filed Mar. 20, 2008.
U.S. Appl. No. 29/300,379, filed Mar. 20, 2008.
U.S. Appl. No. 29/300,384, filed Mar. 20, 2008.

* cited by examiner

Primary Examiner—Paula Greene

(74) *Attorney, Agent, or Firm*—Rader, Fishman & Grauer, PLLC

(57) **CLAIM**

The ornamental design for a headset, as shown.

DESCRIPTION

FIG. 1 is a perspective view of a headset showing my new design;

FIG. 2 is a front elevational view thereof;

FIG. 3 is a rear elevational view thereof;

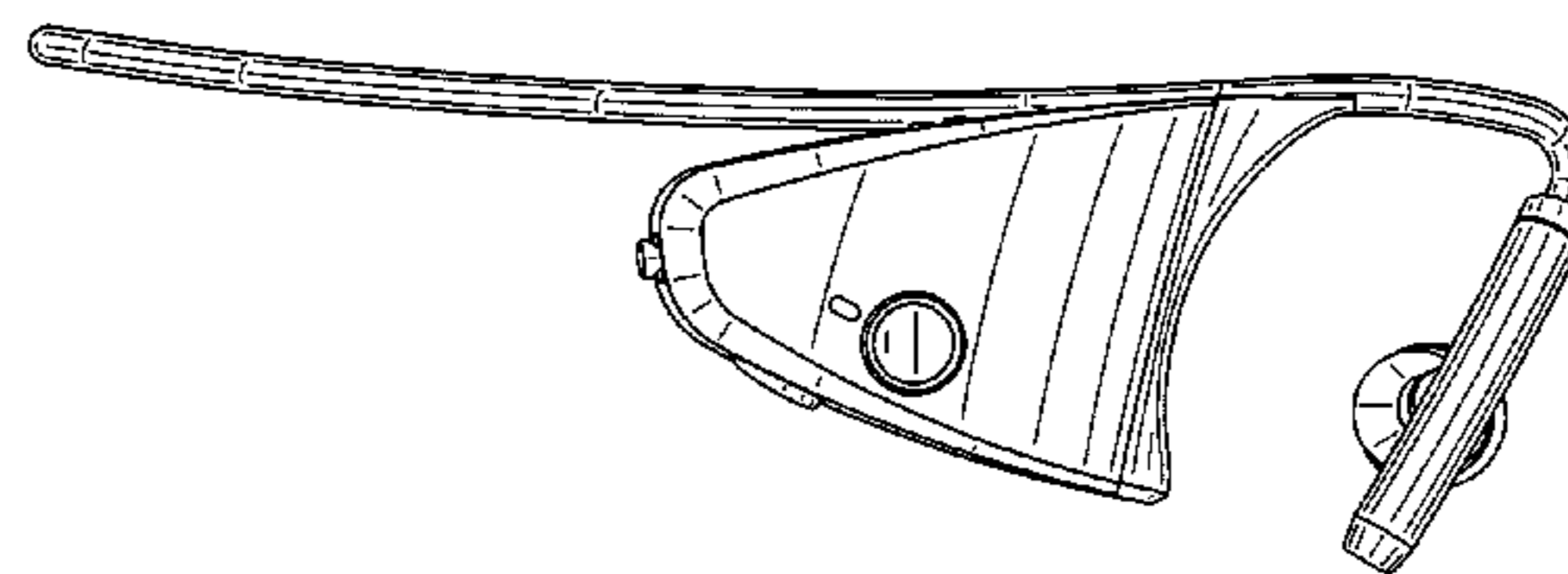
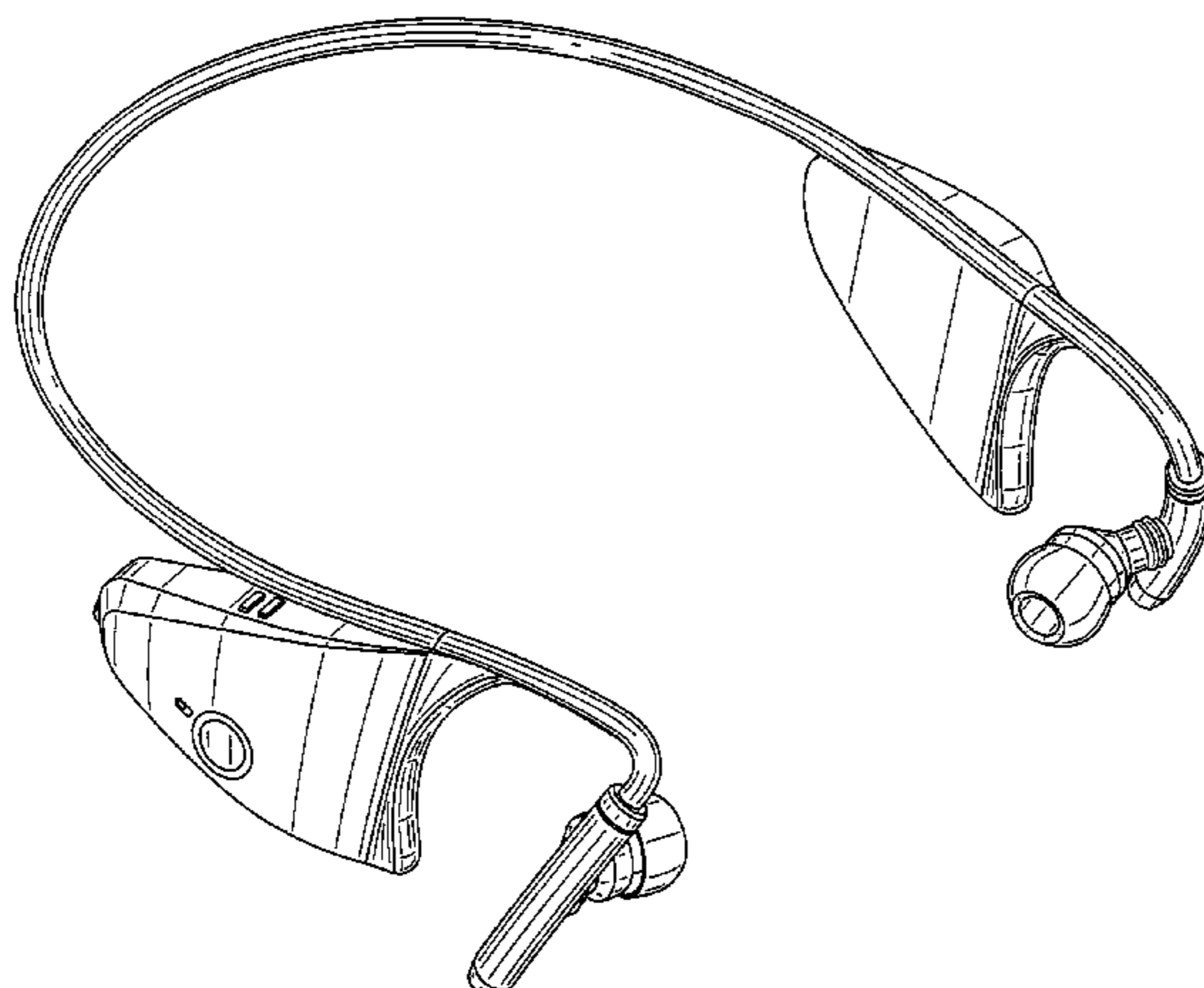
FIG. 4 is a left side elevational view thereof;

FIG. 5 is a right side elevational view thereof;

FIG. 6 is a top plan view thereof; and,

FIG. 7 is a bottom plan view thereof.

1 Claim, 7 Drawing Sheets



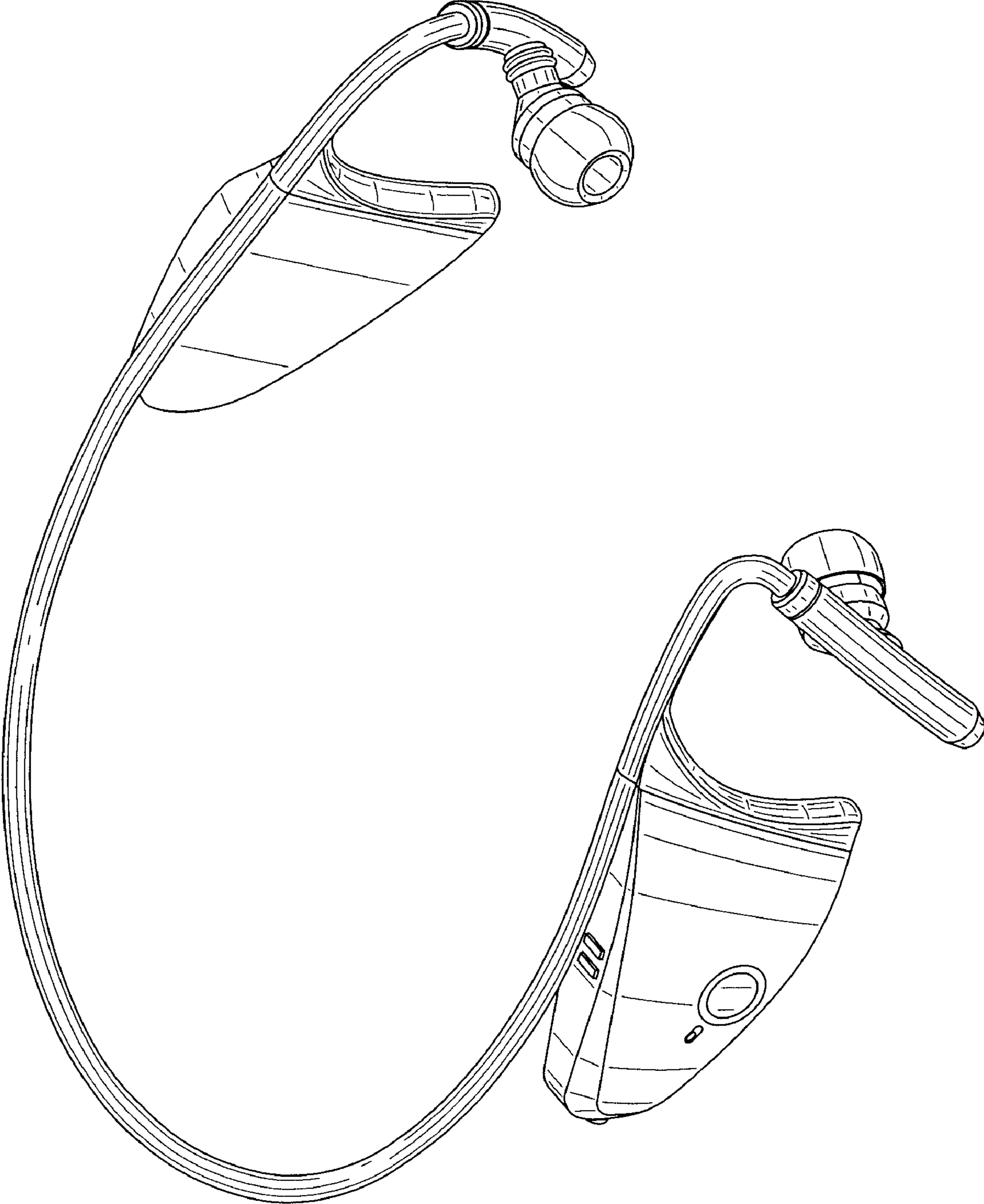


FIG.1

FIG.2

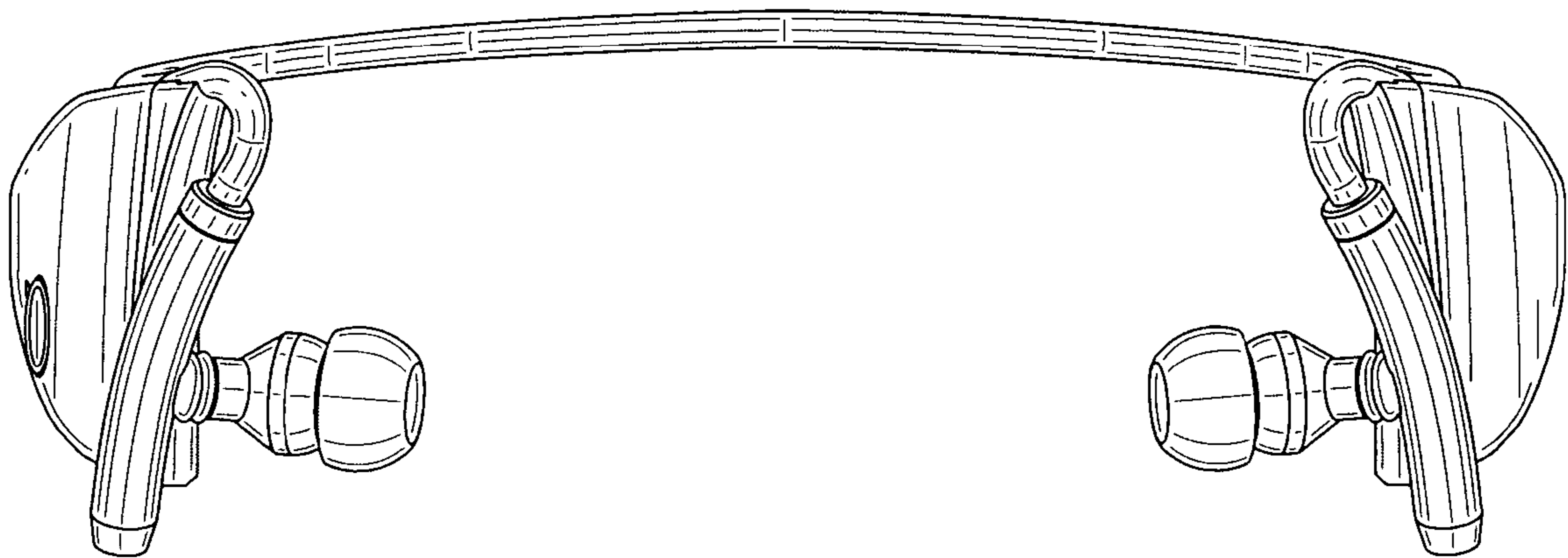


FIG.3

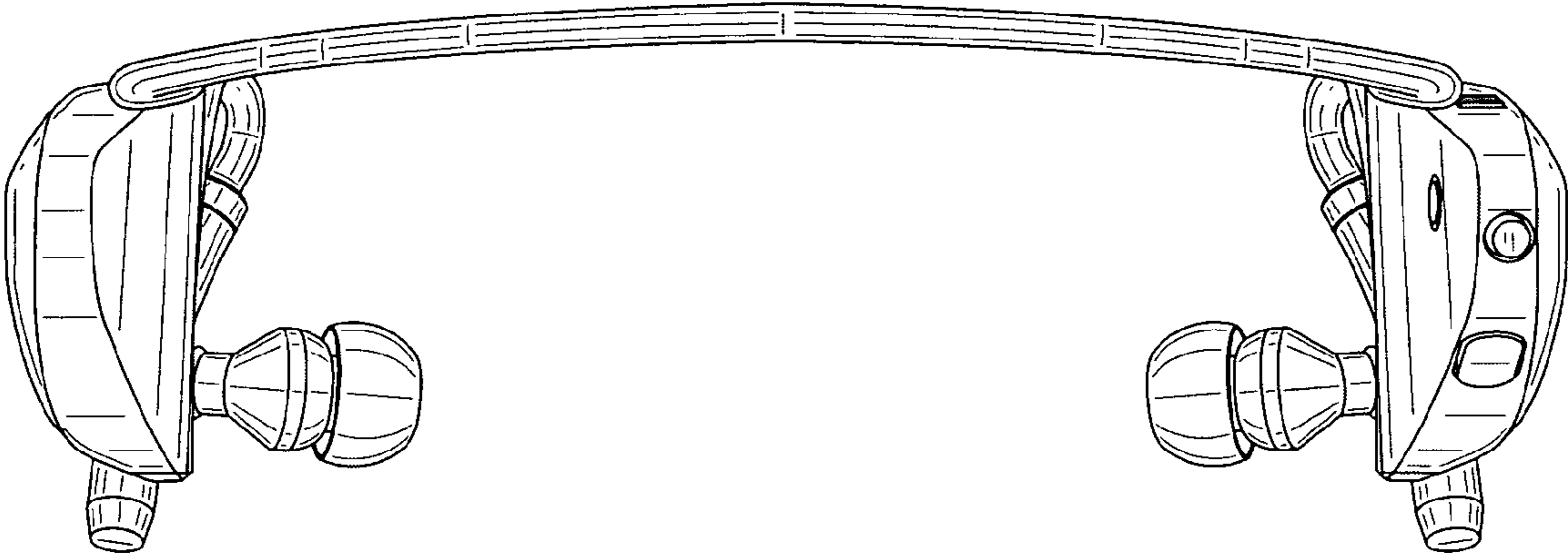


FIG.4

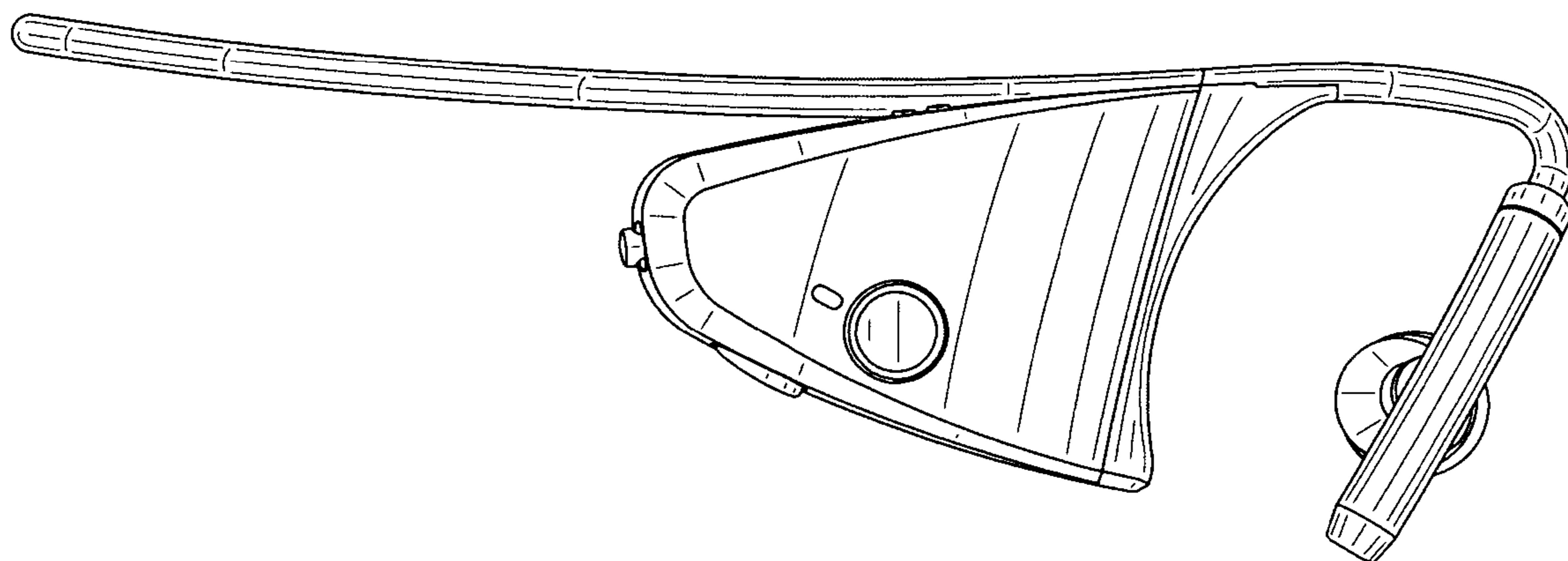


FIG.5

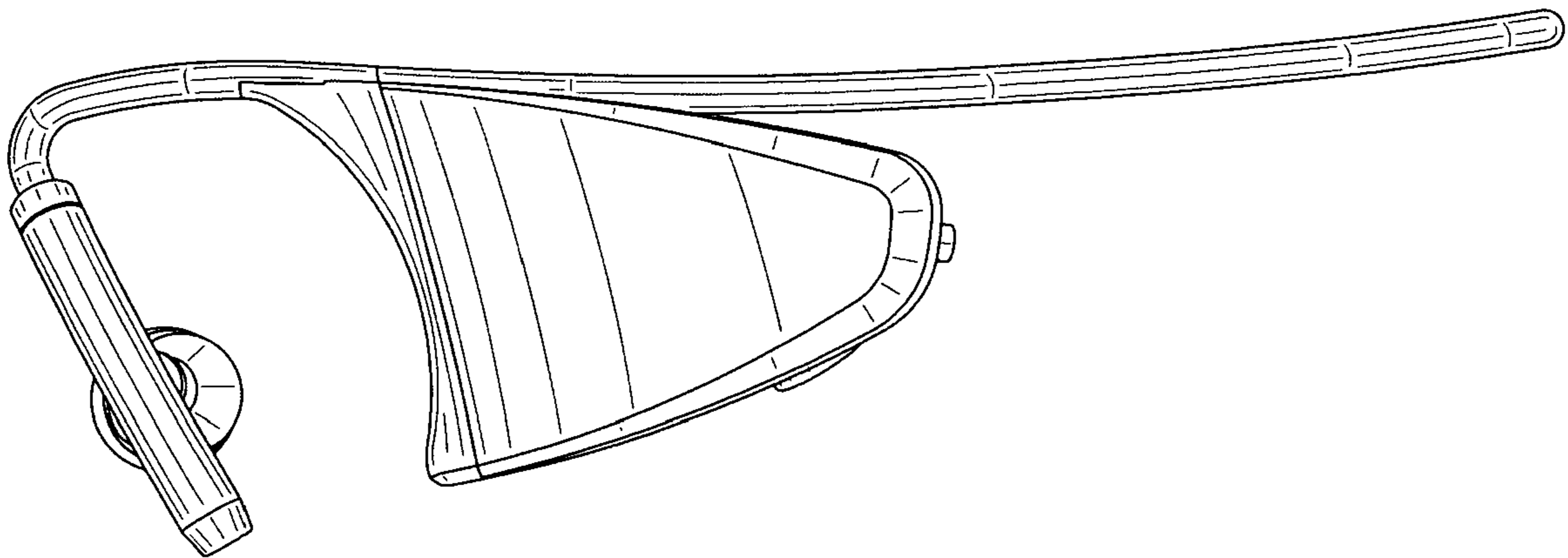


FIG.6



FIG.7

