



US00D601121S

(12) **United States Design Patent**
Chen

(10) **Patent No.:** **US D601,121 S**

(45) **Date of Patent:** **** Sep. 29, 2009**

(54) **DIGITAL SOUND RECORDER**

(75) Inventor: **Minghua Chen**, Ningbo (CN)

(73) Assignee: **Beifa Group Co., Ltd.**, Ningbo (CN)

(**) Term: **14 Years**

(21) Appl. No.: **29/333,782**

(22) Filed: **Mar. 13, 2009**

(30) **Foreign Application Priority Data**

Sep. 16, 2008 (CN) 2008 3 0138787

(51) **LOC (9) Cl.** **14-01**

(52) **U.S. Cl.** **D14/167**

(58) **Field of Classification Search** D14/167,
D14/154, 168, 188, 496, 156, 160, 161, 162,
D14/163, 164, 165, 192; D16/208; D26/38;
455/351, 350

See application file for complete search history.

(56) **References Cited**

U.S. PATENT DOCUMENTS

D345,314 S *	3/1994	Chandra	D10/106
D345,713 S *	4/1994	Pecht et al.	D10/106
D378,293 S *	3/1997	Chou	D14/167
D395,836 S *	7/1998	Morelli, Jr.	D10/106
D418,134 S *	12/1999	Crump	D14/167
D427,176 S *	6/2000	Obata	D14/167
D441,743 S *	5/2001	Uehara	D14/240
D486,814 S *	2/2004	Nakamura	D14/167

D515,447 S *	2/2006	Gilliam	D10/106
D533,862 S *	12/2006	Jinde	D14/167
D535,306 S *	1/2007	Tokioka	D14/203.6
D558,183 S *	12/2007	Aoki	D14/167
D559,862 S *	1/2008	Bennett et al.	D14/496
D577,000 S *	9/2008	Nakajima	D14/167
D583,796 S *	12/2008	Tanaka	D14/155
D592,178 S *	5/2009	Naito	D14/167
D592,635 S *	5/2009	Obata et al.	D14/167

* cited by examiner

Primary Examiner—Cathron C Brooks

Assistant Examiner—Austin Murphy

(74) *Attorney, Agent, or Firm*—Christensen O'Connor Johnson Kindness PLLC

(57) **CLAIM**

The ornamental design for a digital sound recorder, as shown and described.

DESCRIPTION

FIG. 1 is an upper front right perspective view of a digital sound recorder showing my new design;

FIG. 2 is a top plan view thereof;

FIG. 3 is a front elevation view thereof;

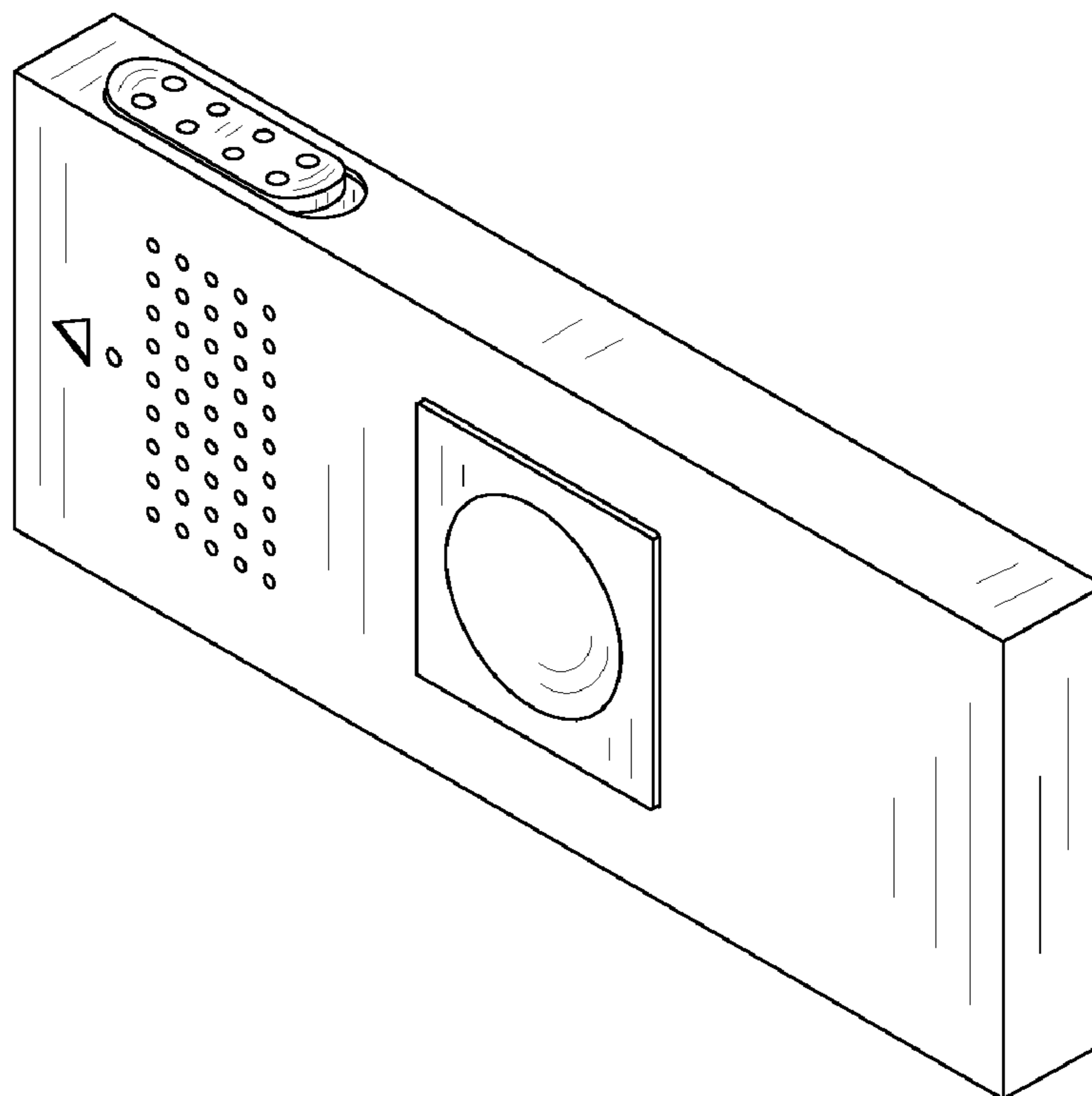
FIG. 4 is a bottom plan view thereof;

FIG. 5 is a rear elevation view thereof;

FIG. 6 is a left side elevation view thereof; and,

FIG. 7 is a right side elevation view thereof.

1 Claim, 3 Drawing Sheets



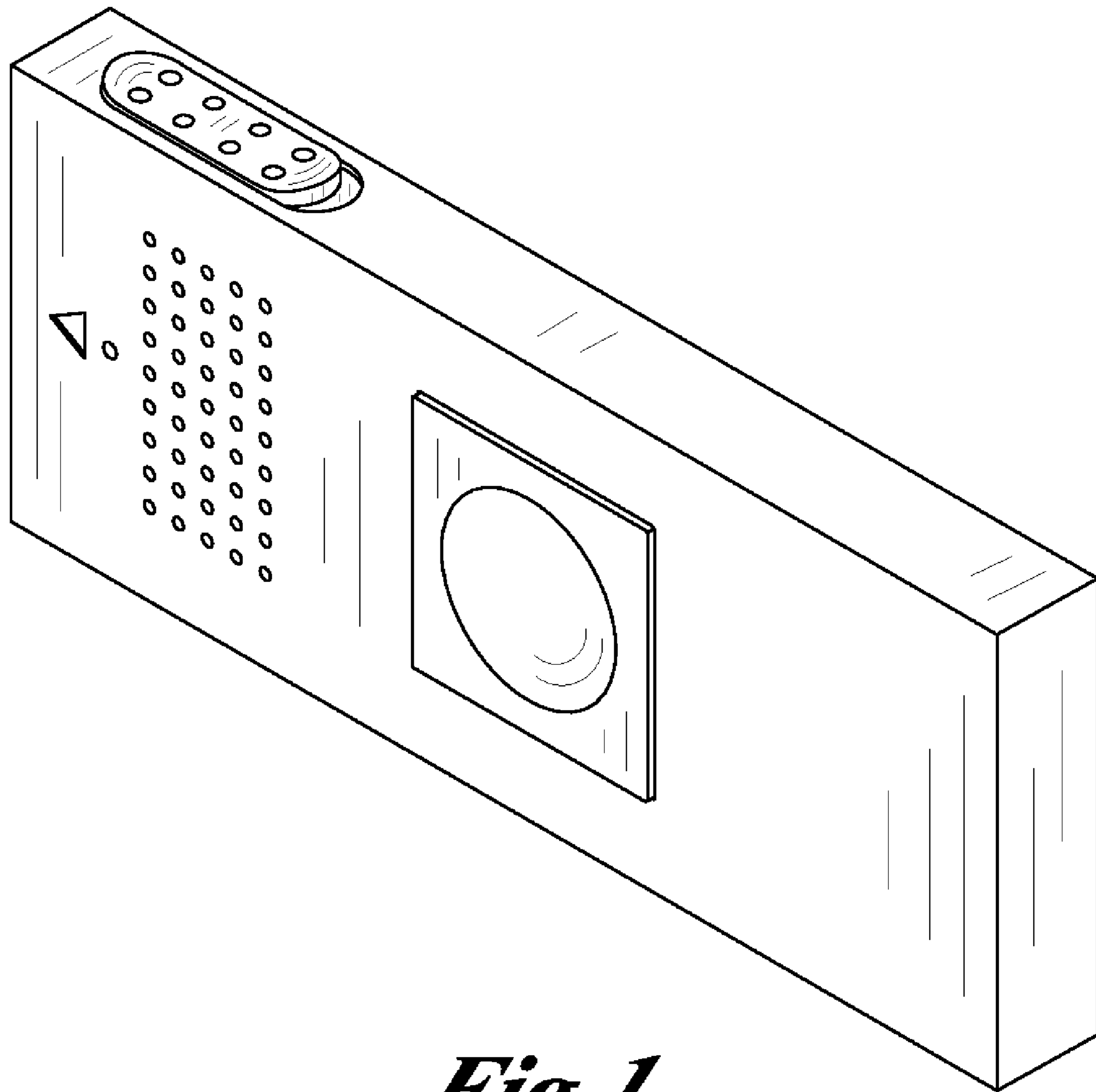


Fig. 1.

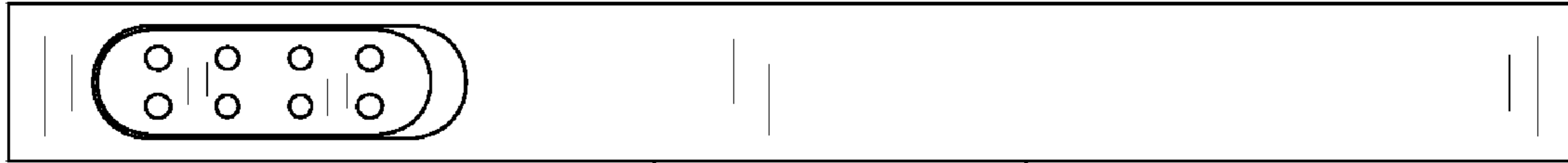


Fig. 2.

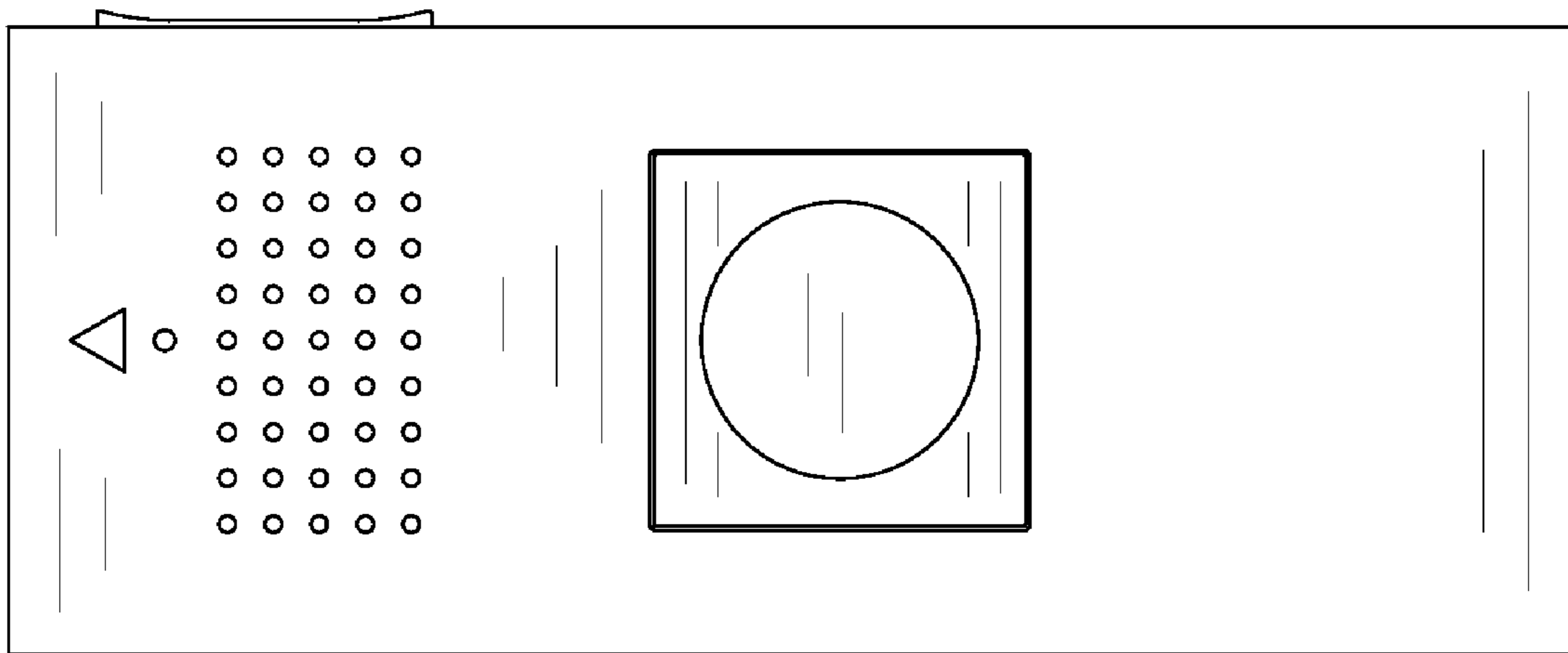


Fig. 3.



Fig. 4.

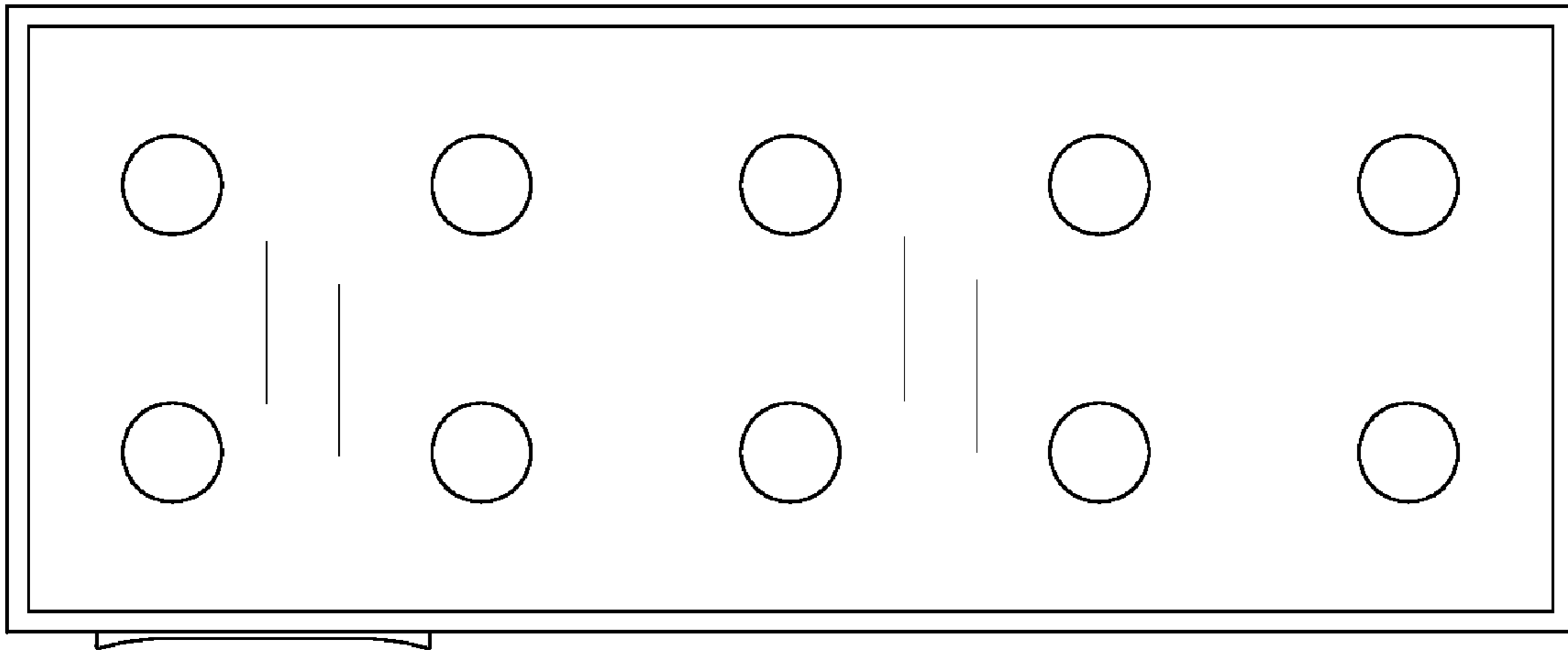


Fig. 5.

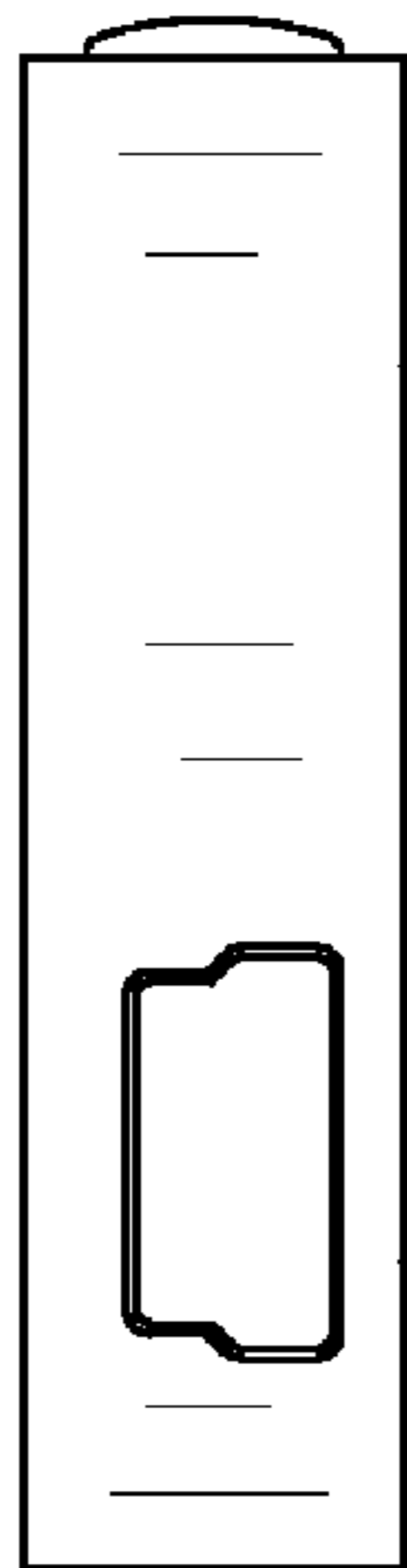


Fig. 6.

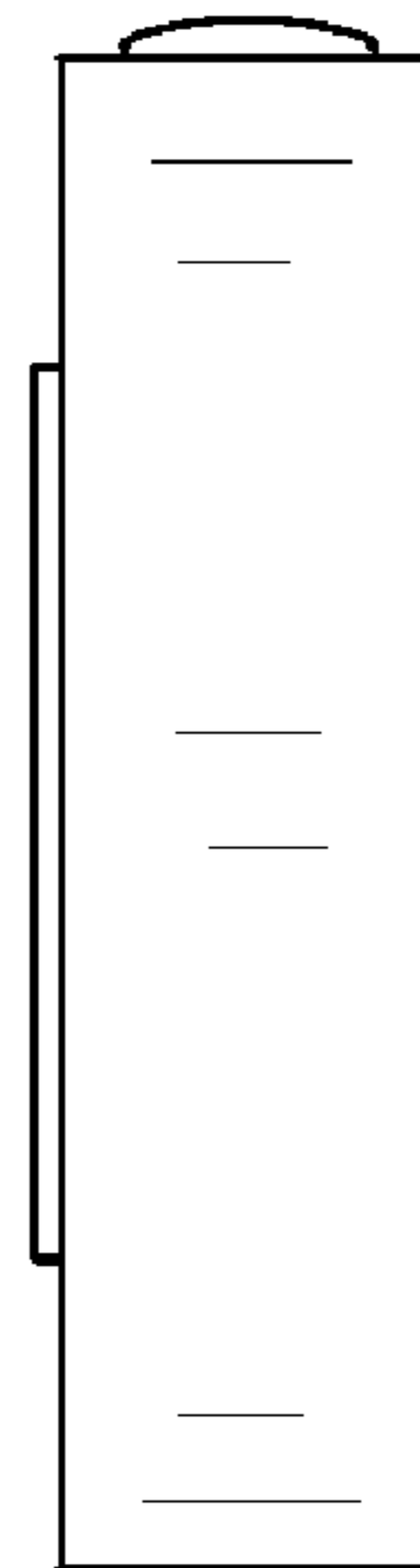


Fig. 7.