



US00D601120S

(12) **United States Design Patent**
Aoki

(10) **Patent No.:** **US D601,120 S**
(45) **Date of Patent:** **** Sep. 29, 2009**

(54) **VOICE RECORDING/REPRODUCING DEVICE**

(75) Inventor: **Ryosaku Aoki**, Kunitachi (JP)

(73) Assignee: **Olympus Imaging Corp.**, Tokyo (JP)

(**) Term: **14 Years**

(21) Appl. No.: **29/289,736**

(22) Filed: **Jul. 30, 2007**

(30) **Foreign Application Priority Data**

Jun. 28, 2007 (JP) 2007-017336
Jun. 28, 2007 (JP) 2007-017337

(51) **LOC (9) Cl.** **14-01**

(52) **U.S. Cl.** **D14/167**

(58) **Field of Classification Search** D14/167,
D14/154, 168, 188, 496, 156, 160, 161, 162,
D14/163, 164, 165, 192; D16/208; D26/38;
455/351, 350

See application file for complete search history.

(56) **References Cited**

U.S. PATENT DOCUMENTS

D205,012 S * 6/1966 Henggeler D8/61
3,718,862 A * 2/1973 Norris 455/95
D542,262 S * 5/2007 Oka D14/167
D554,628 S * 11/2007 Aoki D14/226
D571,778 S * 6/2008 Aoki D14/167
D581,898 S * 12/2008 Oka D14/167
D583,797 S * 12/2008 Obata D14/167

OTHER PUBLICATIONS

Sony Marketing Co., Ltd., "News and Information: Newly Developed Portable Linear PCM Recorder In Pursuit of Recording With High Audio Quality With High-Sensitivity Built-in Microphone And

Utmost Low-Noise Design," (Downloaded from <http://www.sony.jp/CorporateCruise/Press/200511/05-1109/> (5 pgs.) (Nov. 16, 2005). Japanese Office Action to Japanese Patent Application No. 2007-017336, mailed Nov. 20, 2007 (3 pgs.) with translation (1 pg.). Registration No. D1025132, from Design Gazette issued by the Japanese Patent Office, published Nov. 9, 1998. Registration No. D1226190, from Design Gazette issued by the Japanese Patent Office, published Dec. 27, 2004. Registration No. D1303132, from Design Gazette issued by the Japanese Patent Office, published Jun. 11, 2007. Japanese Office Action to Japanese Design Patent Application No. 2007-017337, mailed Dec. 4, 2007 (3 pgs.) (with translation 2 pgs.).

* cited by examiner

Primary Examiner—Cathron C Brooks

Assistant Examiner—Austin Murphy

(74) *Attorney, Agent, or Firm*—Straub & Pokotylo; John C. Pokotylo

(57) **CLAIM**

The ornamental design for a voice recording/reproducing device, as shown and described.

DESCRIPTION

FIG. 1 is a front, top and right side perspective view of a voice recording/reproducing device showing my new design;

FIG. 2 is a front elevational view thereof;

FIG. 3 is a rear elevational view thereof;

FIG. 4 is a top plan view thereof;

FIG. 5 is a bottom plan view thereof;

FIG. 6 is a right side elevational view thereof; and,

FIG. 7 is a left side elevational view thereof.

The broken line depiction of portions of the voice recording/reproducing device is for the purpose of illustrating unclaimed portions of the design and forms no part thereof.

1 Claim, 5 Drawing Sheets

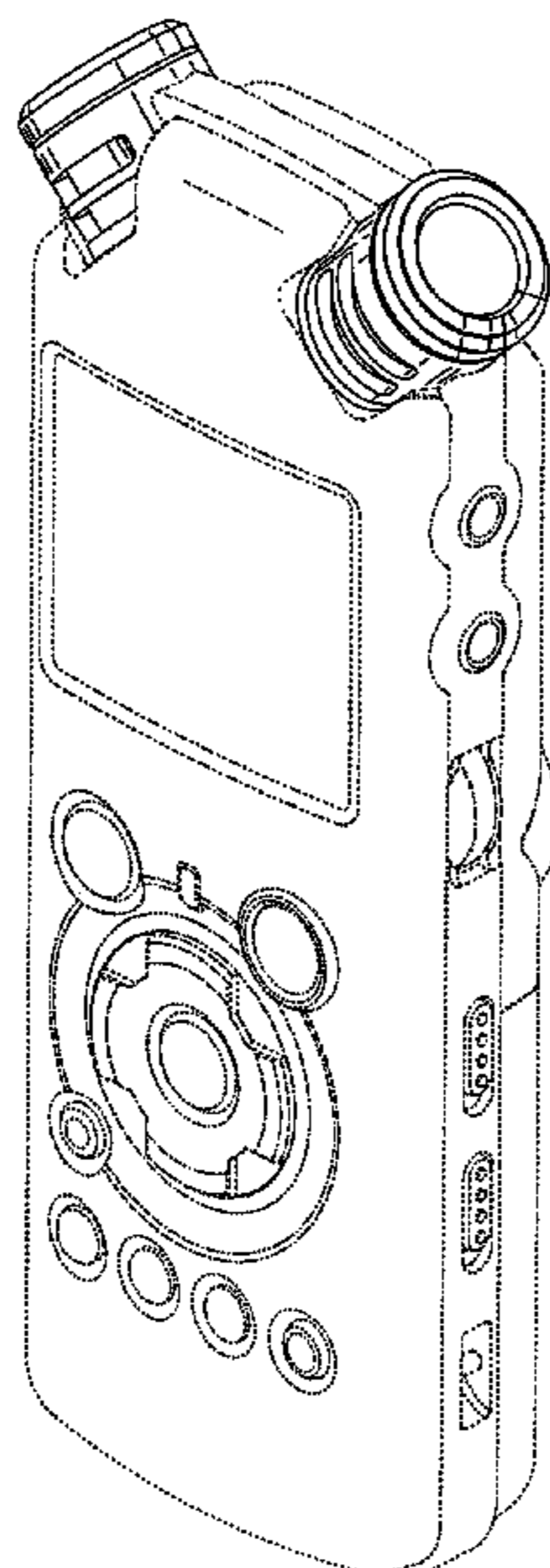


FIG. 1

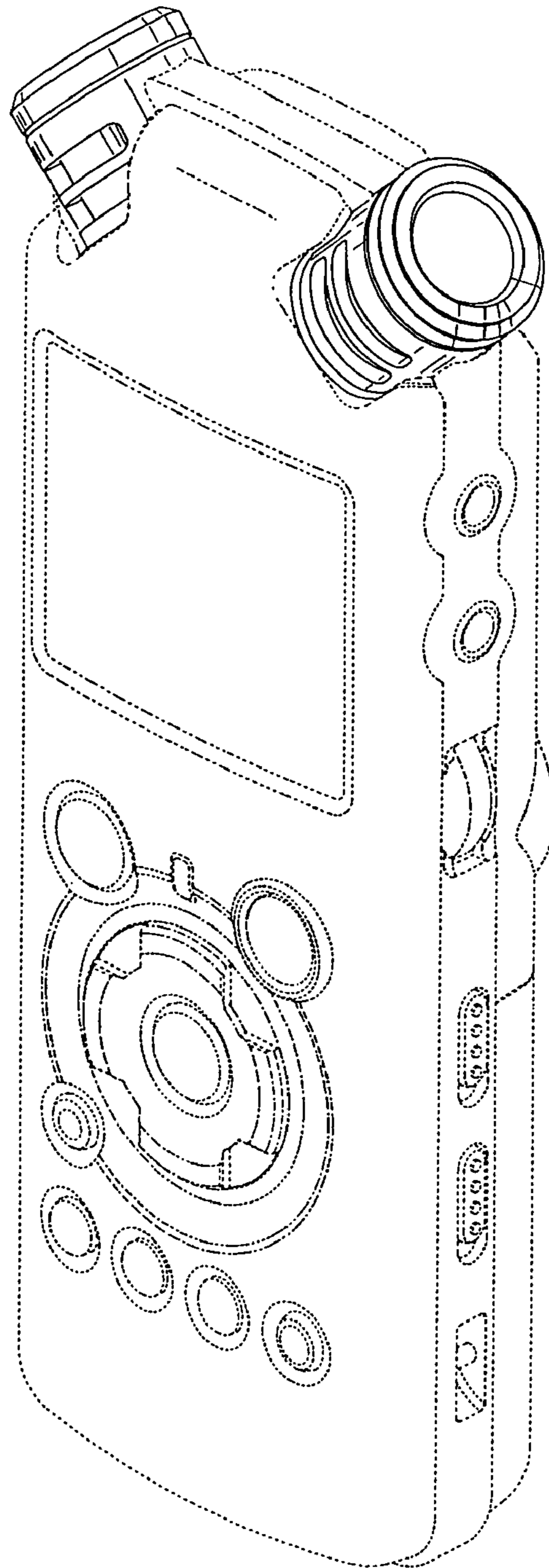


FIG.2

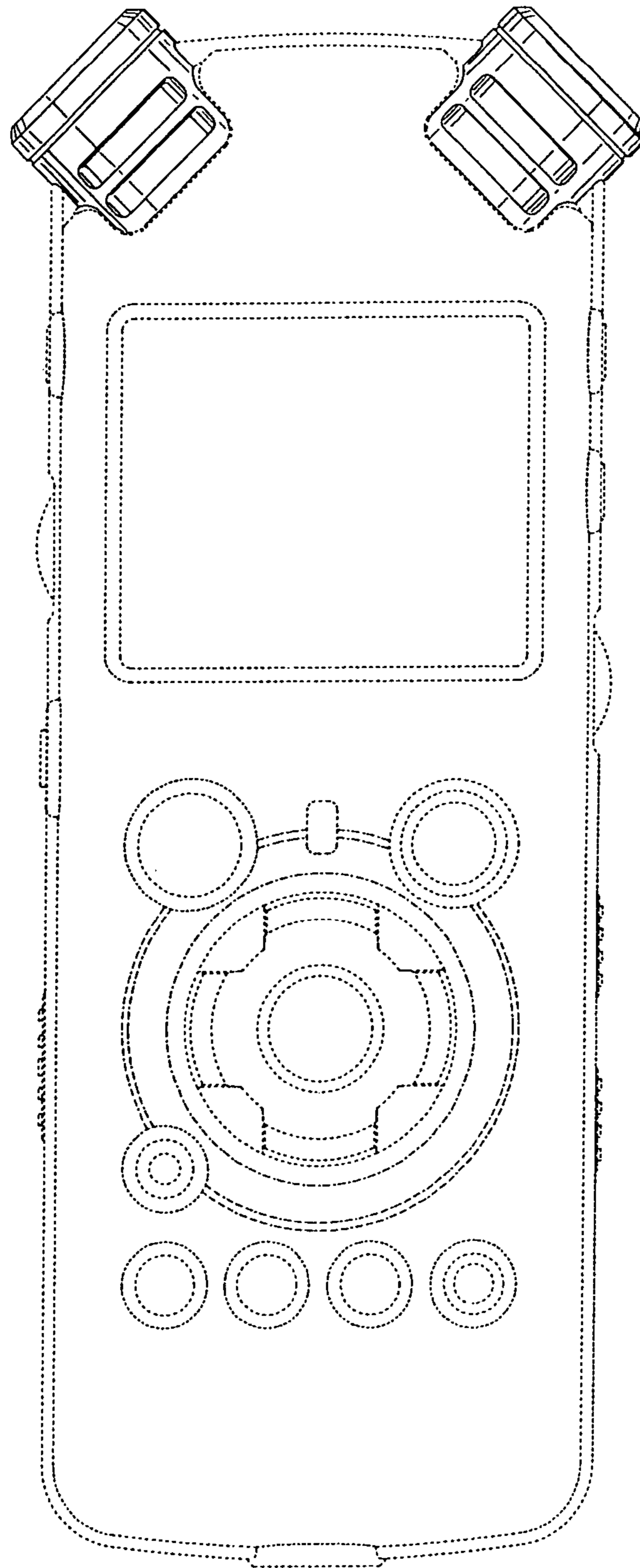


FIG.3

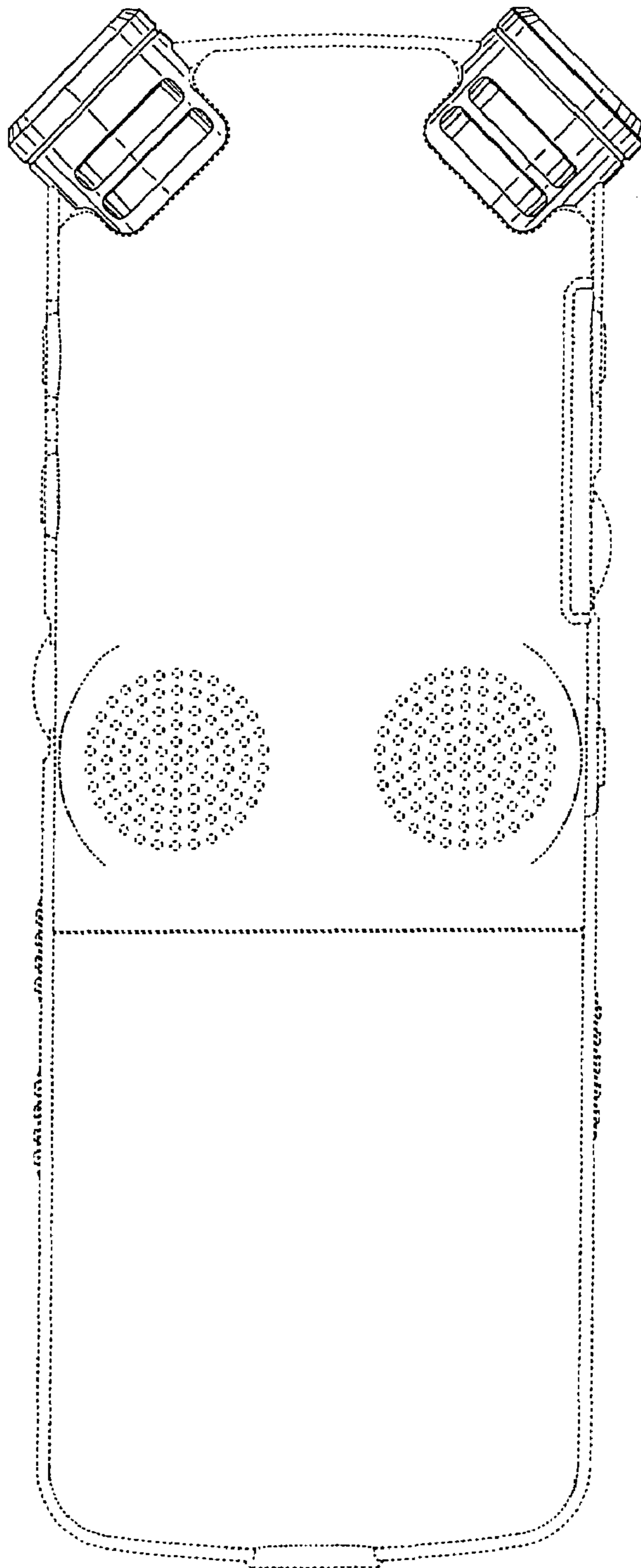


FIG.4

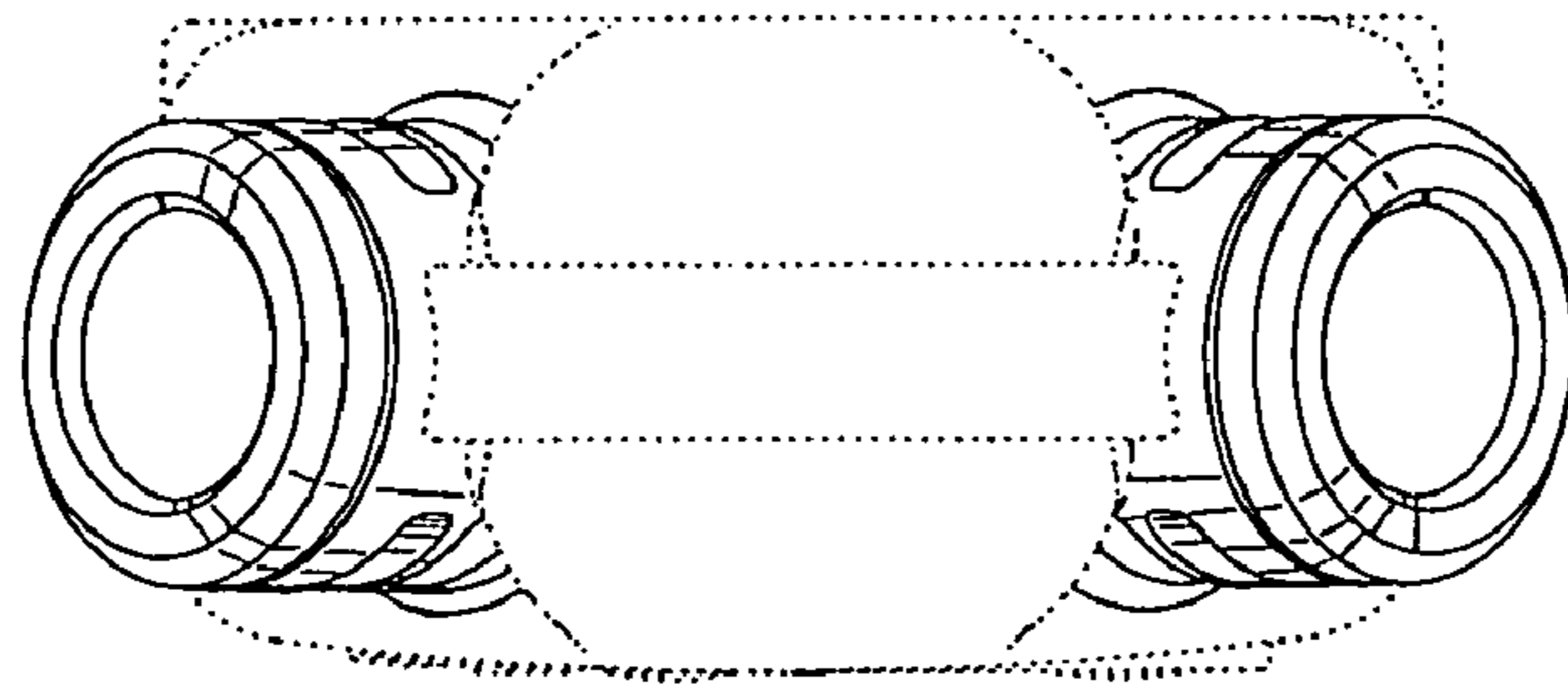


FIG.5

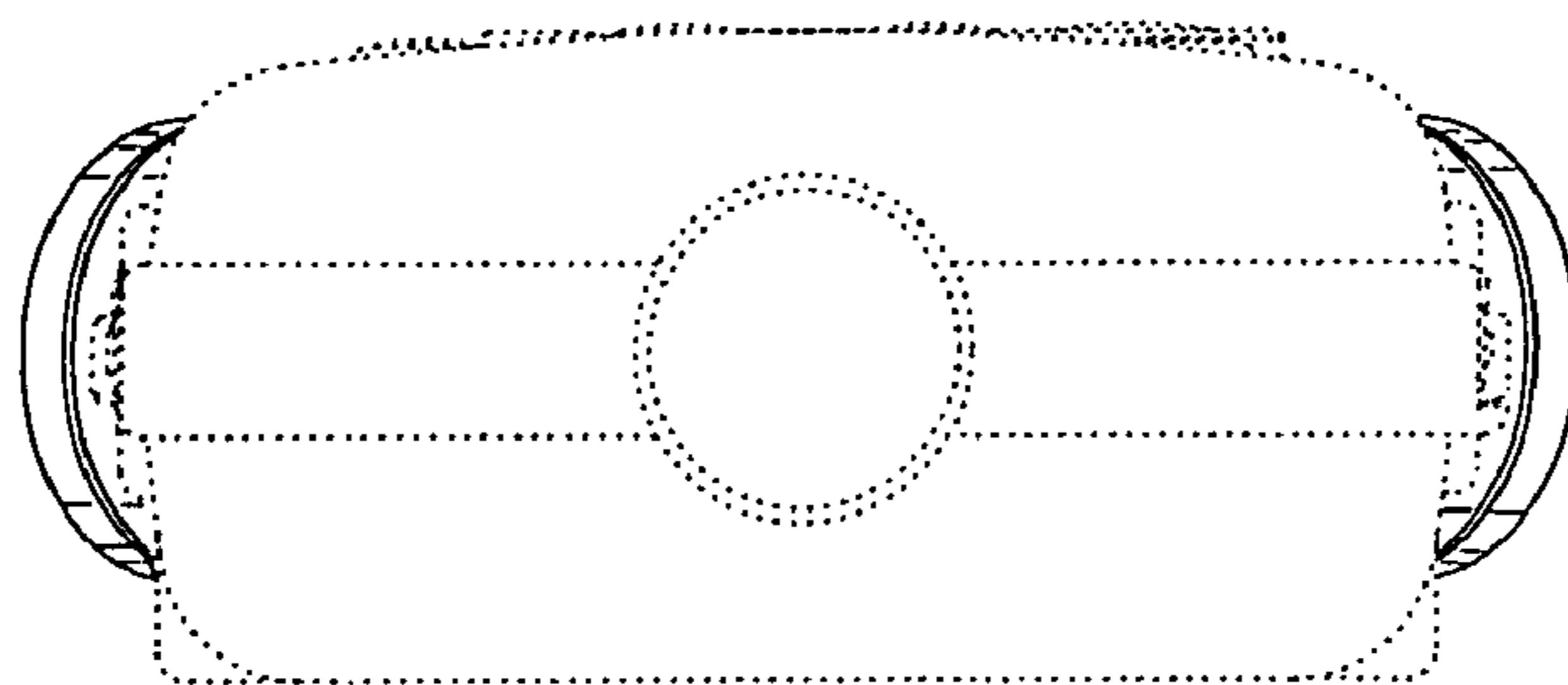


FIG.6

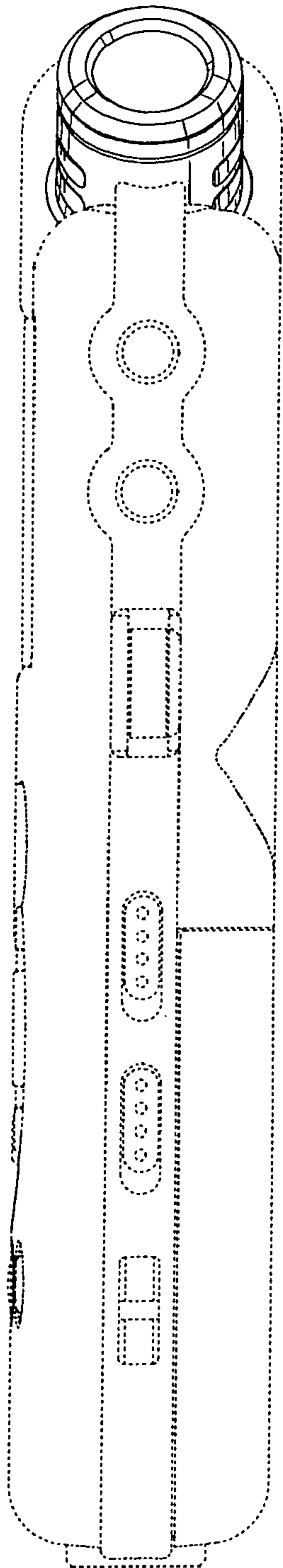


FIG.7

