



US00D601114S

(12) **United States Design Patent**
He

(10) **Patent No.:** **US D601,114 S**

(45) **Date of Patent:** **** Sep. 29, 2009**

(54) **MOBILE PHONE**

(75) Inventor: **Shu-Gang He**, Shenzhen (CN)

(73) Assignee: **FIH (Hong Kong) Limited**, Kowloon (HK)

(**) Term: **14 Years**

(21) Appl. No.: **29/326,173**

(22) Filed: **Oct. 14, 2008**

(30) **Foreign Application Priority Data**

Sep. 25, 2008 (CN) 2008 3 030155

(51) **LOC (9) Cl.** **14-03**

(52) **U.S. Cl.** **D14/138 AD**

(58) **Field of Classification Search** D14/138 R,
D14/138 AD, 138 AC, 138 C, 138 G, 191,
D14/203.1–203.8, 496, 138 AA, 138 AB,
D14/247–248, 137, 147, 218, 341–347; D10/65,
D10/78, 104; D13/168; D18/7; 455/566,
455/575.1, 575.3

See application file for complete search history.

(56) **References Cited**

U.S. PATENT DOCUMENTS

D511,342 S * 11/2005 Chien D14/346
D512,393 S * 12/2005 Lee et al. D14/138 AD
D525,959 S * 8/2006 Kim et al. D14/138 AD
D529,890 S * 10/2006 Park et al. D14/138 G

(Continued)

OTHER PUBLICATIONS

LG M6100, announced Jan. 2006, [online], [retrieved on Feb. 20, 2007]. Retrieved from Internet ,<URL: http://www.gsmarena.com>.*

LG KC550, announced May 2008, [online], [retrieved on May 30, 2008]. Retrieved from Internet ,<URL: http://www.gsmarena.com>.*

Motorola ROKR E6, announced Dec. 2006, [online], [retrieved on Feb. 16, 2007]. Retrieved from Internet ,<URL: http://www.gsmarena.com>.*

Motorola ZN300, announced Mar. 2009, [online], [retrieved on Mar. 6, 2009]. Retrieved from Internet ,<URL: http://www.gsmarena.com>.*

Samsung F300, announced Dec. 2006, [online], [retrieved on Feb. 8, 2007]. Retrieved from Internet ,<URL: http://www.gsmarena.com>.*

Samsung F500, announced Dec. 2006, [online], [retrieved on Feb. 8, 2007 and Apr. 10, 2008]. Retrieved from Internet ,<URL: http://www.gsmarena.com>.*

Primary Examiner—Jeffrey D Asch

Assistant Examiner—Bridget L Eland

(74) *Attorney, Agent, or Firm*—Steven M. Reiss

(57) **CLAIM**

The ornamental design for a mobile phone, as shown and described.

DESCRIPTION

FIG. 1 is a perspective view of a mobile phone showing my new design;

FIG. 2 is a front elevational view thereof;

FIG. 3 is a rear elevational view thereof;

FIG. 4 is a left side elevational view thereof;

FIG. 5 is a right side elevational view thereof;

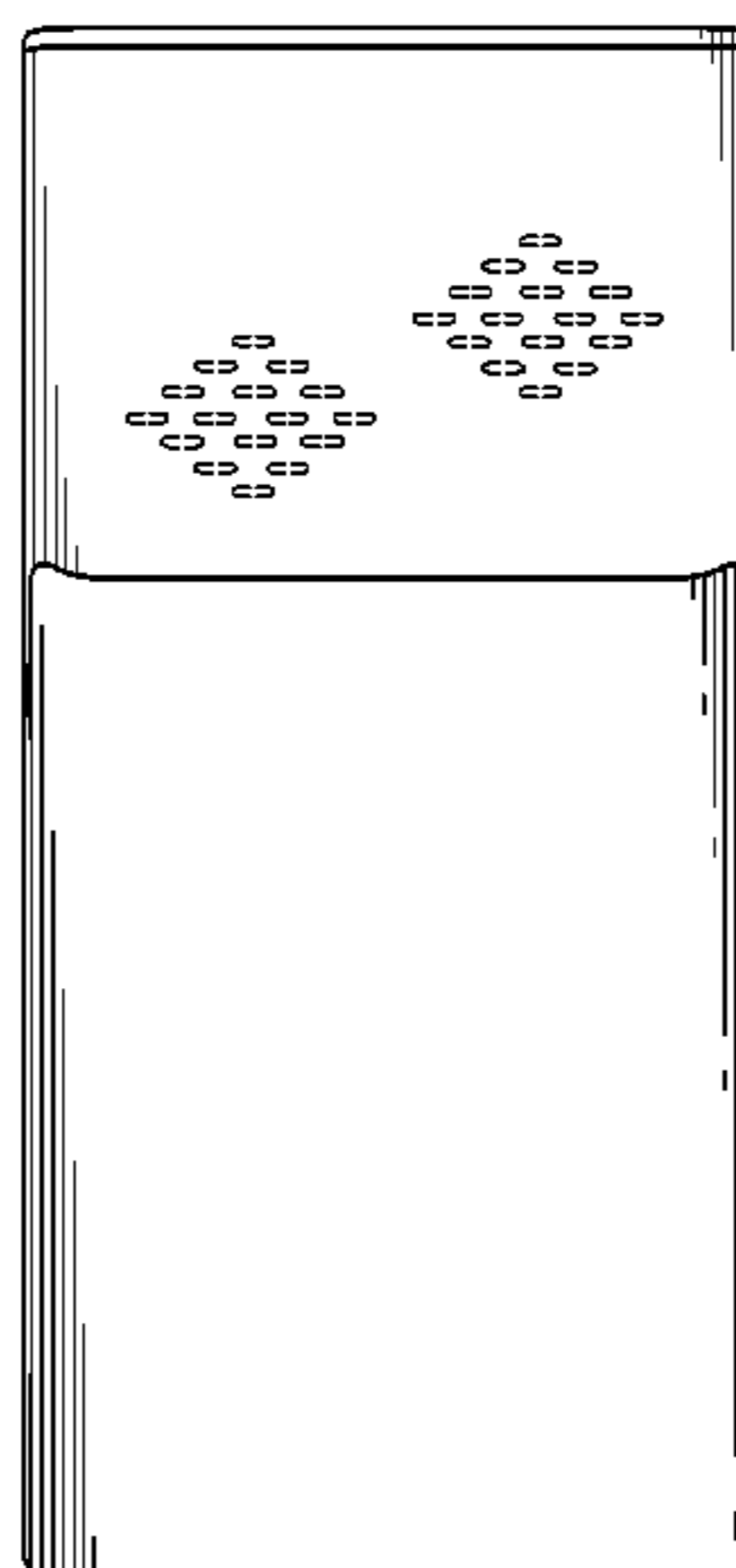
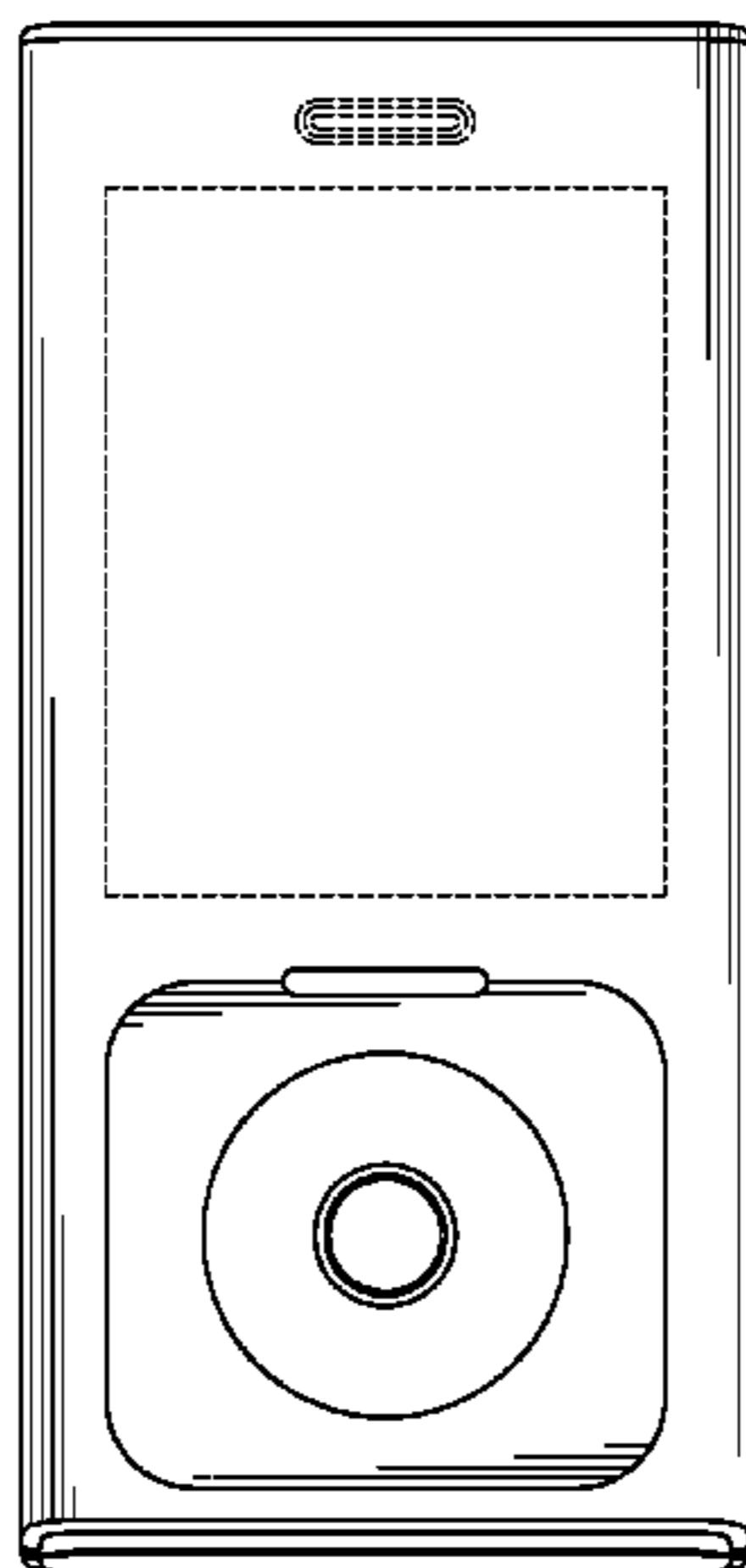
FIG. 6 is a top plan view thereof

FIG. 7 is a bottom plan view; and,

FIG. 8 is an open perspective view of the mobile phone of FIG. 1.

The broken lines immediately adjacent the shaded areas represent the bounds of the claimed design while all other broken lines are directed to environment and are for illustrative purposes only; the broken lines form no part of the claimed design.

1 Claim, 8 Drawing Sheets



US D601,114 S

Page 2

U.S. PATENT DOCUMENTS

D532,425 S *	11/2006	Kim	D14/203.7	D570,815 S *	6/2008	Son et al.	D14/138 AD
D534,143 S *	12/2006	Lheem	D14/138 AD	D571,762 S *	6/2008	Lee et al.	D14/138 AD
D534,890 S *	1/2007	Kim	D14/138 AD	D572,229 S *	7/2008	Kim et al.	D14/138 AD
D550,190 S *	9/2007	Minamide et al.	D14/138 AD	D576,996 S *	9/2008	Choe et al.	D14/138 AD
D557,244 S *	12/2007	Lee et al.	D14/138 AD	D580,921 S *	11/2008	Harju et al.	D14/247
D560,196 S *	1/2008	Kim et al.	D14/138 AA	D589,017 S *	3/2009	Kim et al.	D14/138 AD
D561,148 S *	2/2008	Chen	D14/138 AD	2005/0014538 A1 *	1/2005	Hyun et al.	455/575.4
D561,783 S *	2/2008	Schmelling	D14/496	2007/0232361 A1 *	10/2007	Park et al.	455/566
D568,285 S *	5/2008	Lee et al.	D14/138 G	2007/0293285 A1 *	12/2007	Kang et al.	455/575.1
D568,861 S *	5/2008	Kim et al.	D14/138 AD	2008/0132286 A1 *	6/2008	Sohn et al.	455/566
D569,830 S *	5/2008	Kwak	D14/138 AD	2009/0017874 A1 *	1/2009	Hong et al.	455/566

* cited by examiner

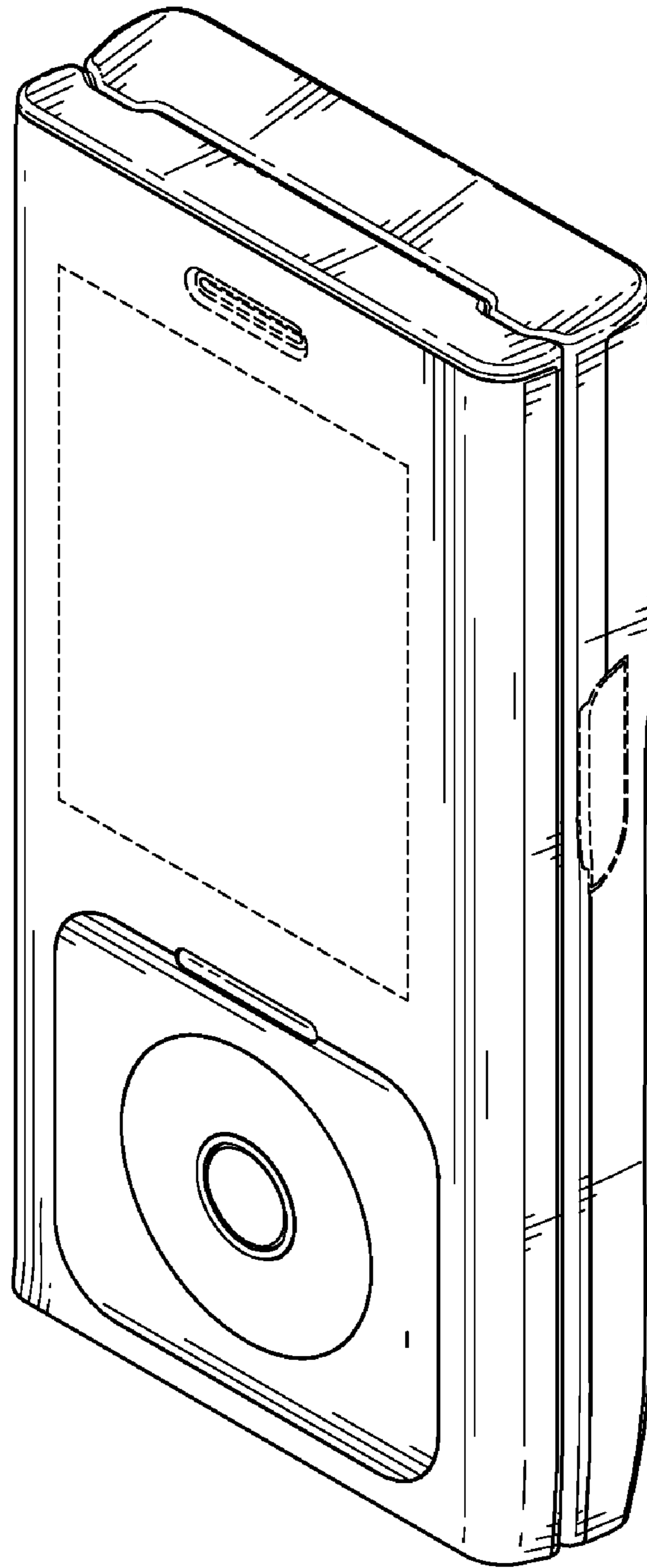


FIG. 1

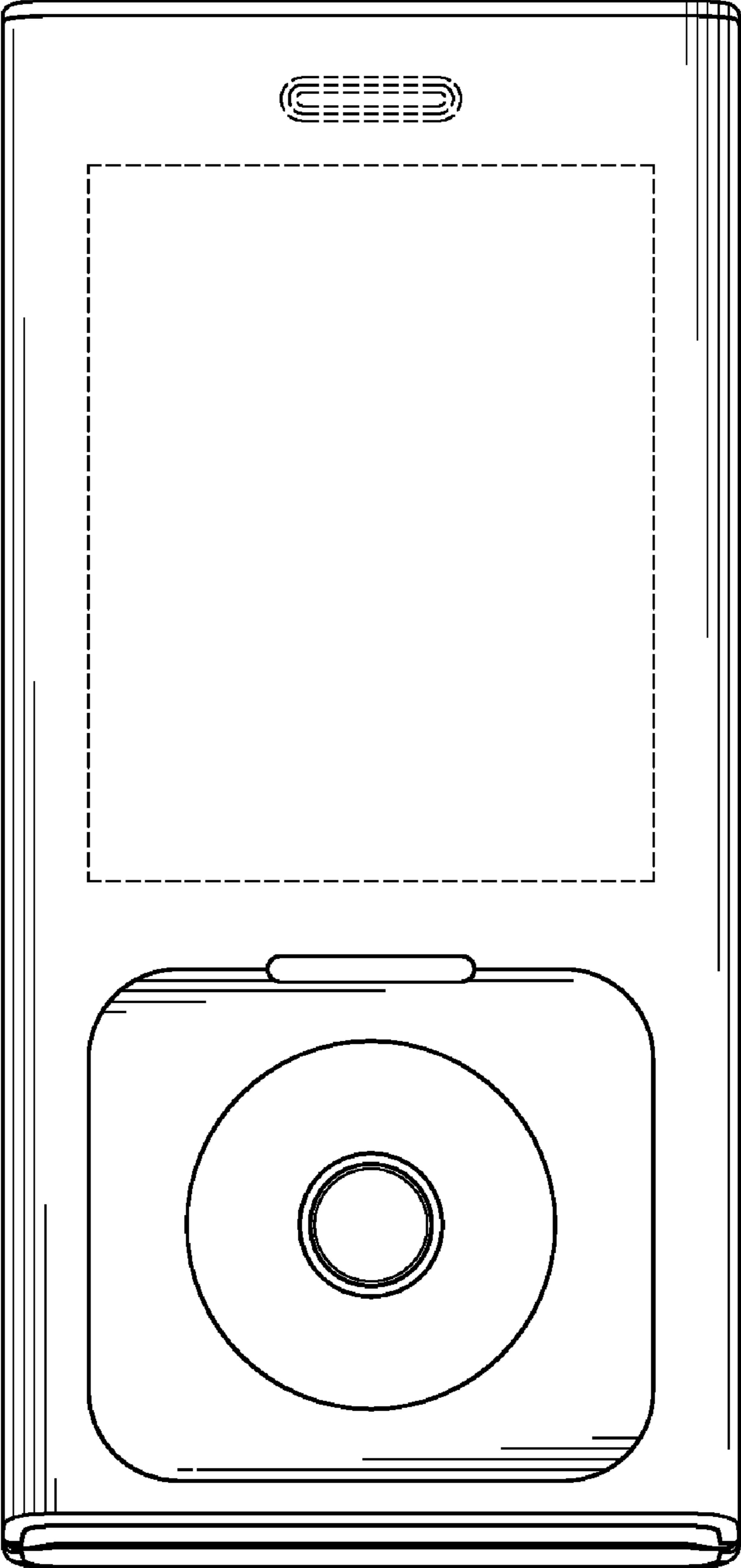


FIG. 2

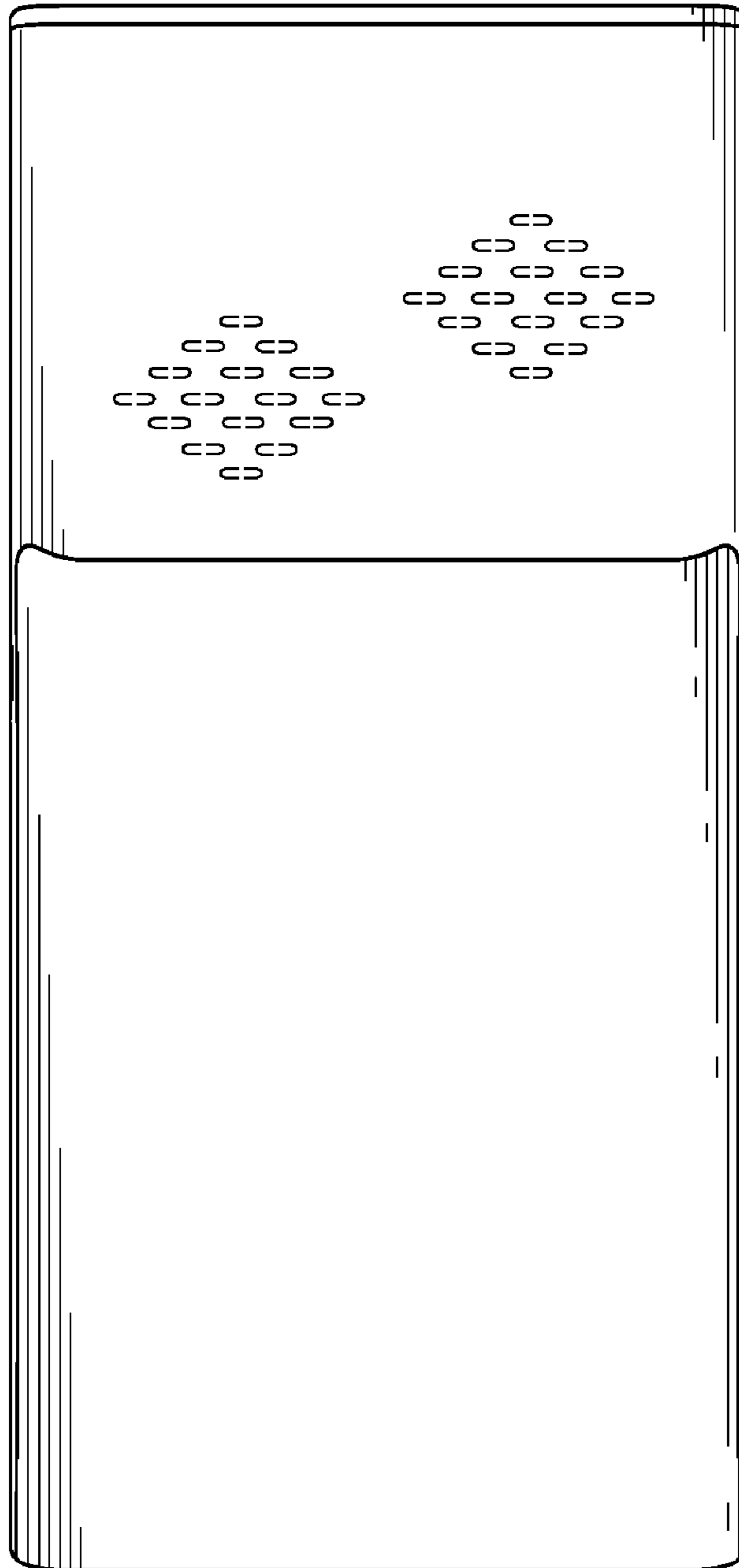


FIG. 3

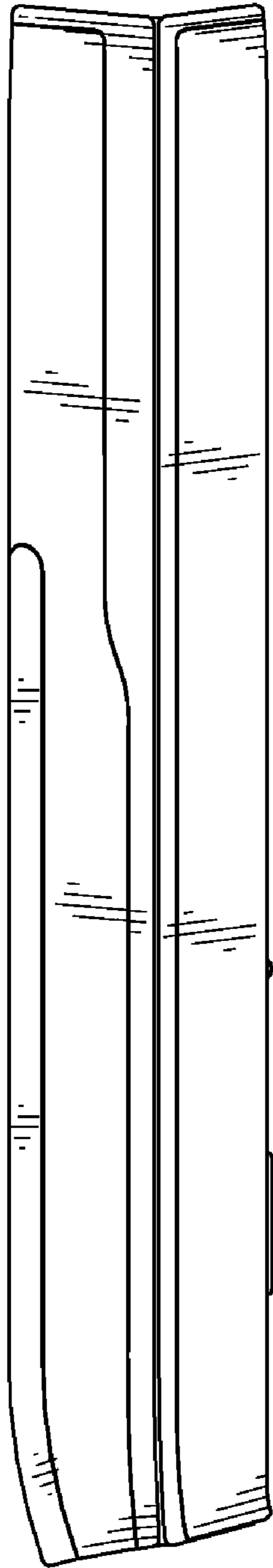


FIG. 4

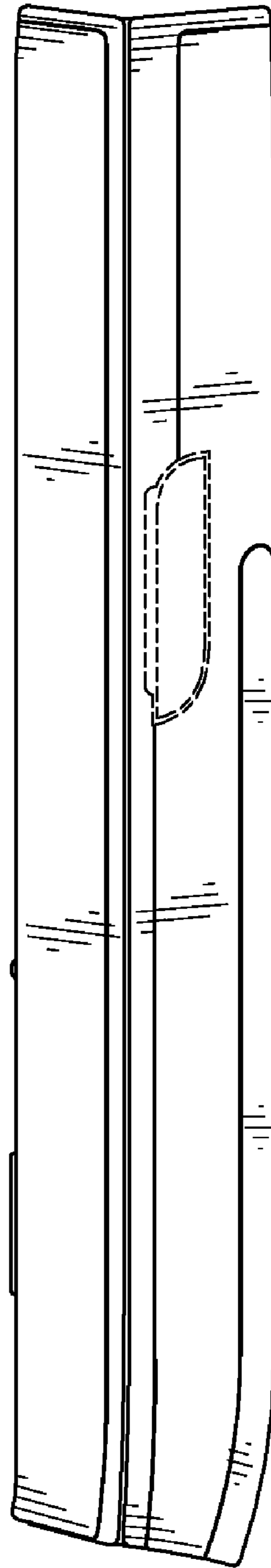


FIG. 5

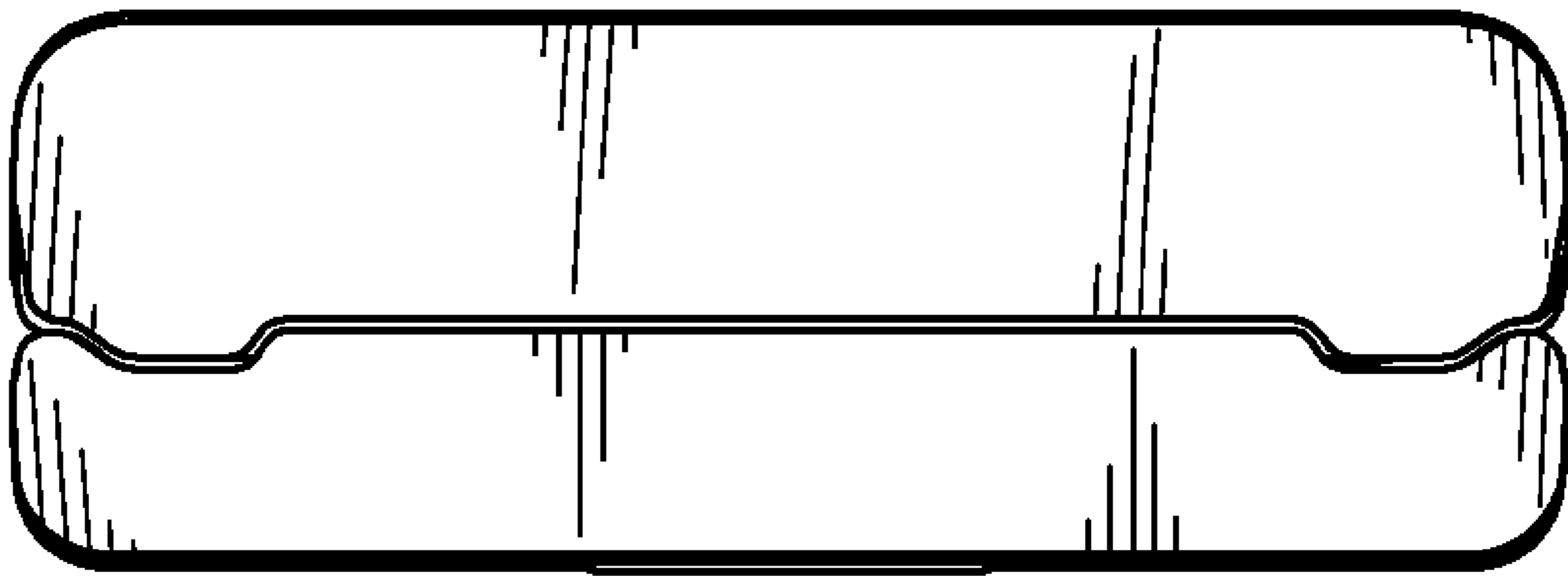


FIG. 6

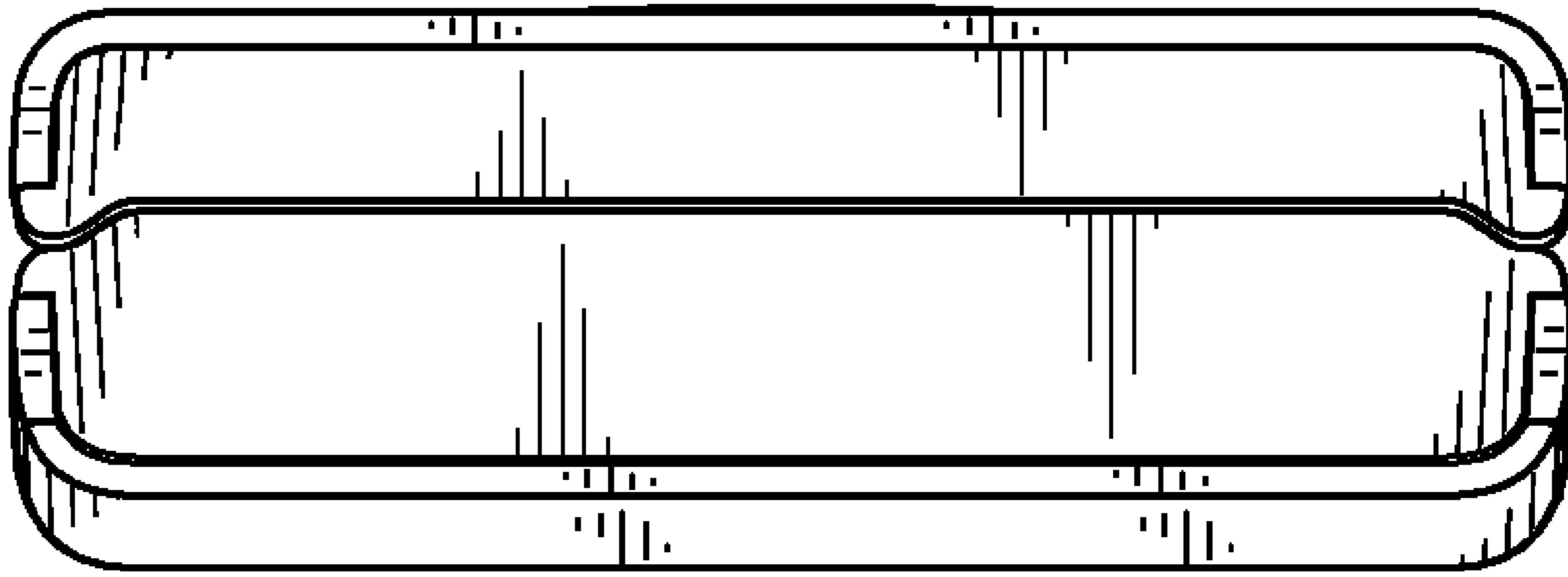


FIG. 7

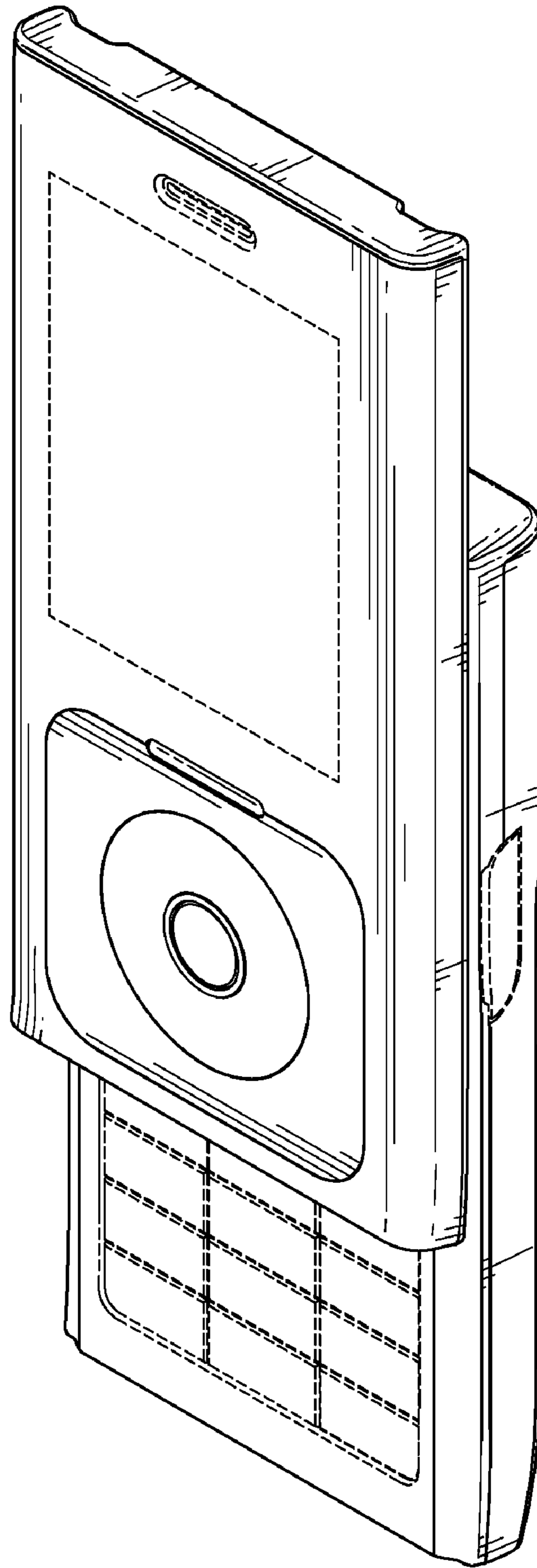


FIG. 8