



US00D601112S

(12) **United States Design Patent**
Tang

(10) **Patent No.:** **US D601,112 S**

(45) **Date of Patent:** **** Sep. 29, 2009**

(54) **MOBILE PHONE**

(75) Inventor: **Zi-Ming Tang**, Shenzhen (CN)

(73) Assignee: **Hon Hai Precision Industry Co., Ltd.**,
Tu-Cheng, Taipei Hsien (TW)

(**) Term: **14 Years**

(21) Appl. No.: **29/325,346**

(22) Filed: **Sep. 29, 2008**

(30) **Foreign Application Priority Data**

Sep. 19, 2008 (CN) 2008 3 0301515

(51) **LOC (9) Cl.** **14-03**

(52) **U.S. Cl.** **D14/138 AD**

(58) **Field of Classification Search** D14/138 R,
D14/138 AD, 138 AC, 138 C, 138 G, 191,
D14/203.1–203.8, 496, 138 AA, 138 AB,
D14/247–248, 137, 147, 218, 341–347; D10/65,
D10/78, 104; D13/168; D18/7; 455/566,
455/575.1, 575.3

See application file for complete search history.

(56) **References Cited**

U.S. PATENT DOCUMENTS

- D526,222 S * 8/2006 Uehara D10/65
- D536,686 S * 2/2007 Miyata D14/138 AB
- D536,703 S * 2/2007 Kim D14/203.7
- D554,625 S * 11/2007 Kato D14/218
- D555,169 S * 11/2007 Shimizu et al. D14/496
- D557,238 S * 12/2007 Kim D14/138 AD
- D557,244 S * 12/2007 Lee et al. D14/138 AD
- D557,279 S * 12/2007 Kim D14/496
- D558,787 S * 1/2008 Yu et al. D14/496
- D558,834 S * 1/2008 Au Yeung D21/329
- D564,921 S * 3/2008 Cheng D10/65
- D565,042 S * 3/2008 Scales et al. D14/248
- D567,795 S * 4/2008 Cha et al. D14/138 G
- D571,765 S * 6/2008 Hsu D14/138 AD
- D576,144 S * 9/2008 Han et al. D14/138 AD
- D579,906 S * 11/2008 Kim et al. D14/138 AD
- D582,378 S * 12/2008 Kim et al. D14/138 AD

- D584,274 S * 1/2009 Kim et al. D14/138 AD
- D585,416 S * 1/2009 Kim D14/138 AD
- D587,670 S * 3/2009 Kim et al. D14/138 AD
- D590,799 S * 4/2009 Laine D14/138 AD
- D592,659 S * 5/2009 Montgomery et al. D14/341
- 2007/0265031 A1 * 11/2007 Koizumi et al. 455/556.1
- 2007/0293283 A1 * 12/2007 Inubushi et al. 455/575.1
- 2008/0316066 A1 * 12/2008 Minato et al. 341/24

OTHER PUBLICATIONS

LG KF750 Secret, announced Apr. 2008, [online], [retrieved on May 14, 2008]. Retrieved from Internet ,<URL: <http://www.gsmarena.com>>.*

(Continued)

Primary Examiner—Jeffrey D Asch

Assistant Examiner—Bridget L Eland

(74) *Attorney, Agent, or Firm*—Zhigang Ma

(57) **CLAIM**

The ornamental design for a mobile phone, as shown and described.

DESCRIPTION

FIG. 1 is a perspective view of a mobile phone showing my design;

FIG. 2 is a front elevational view thereof;

FIG. 3 is a rear elevational view thereof;

FIG. 4 is a left side elevational view thereof;

FIG. 5 is a right side elevational view thereof;

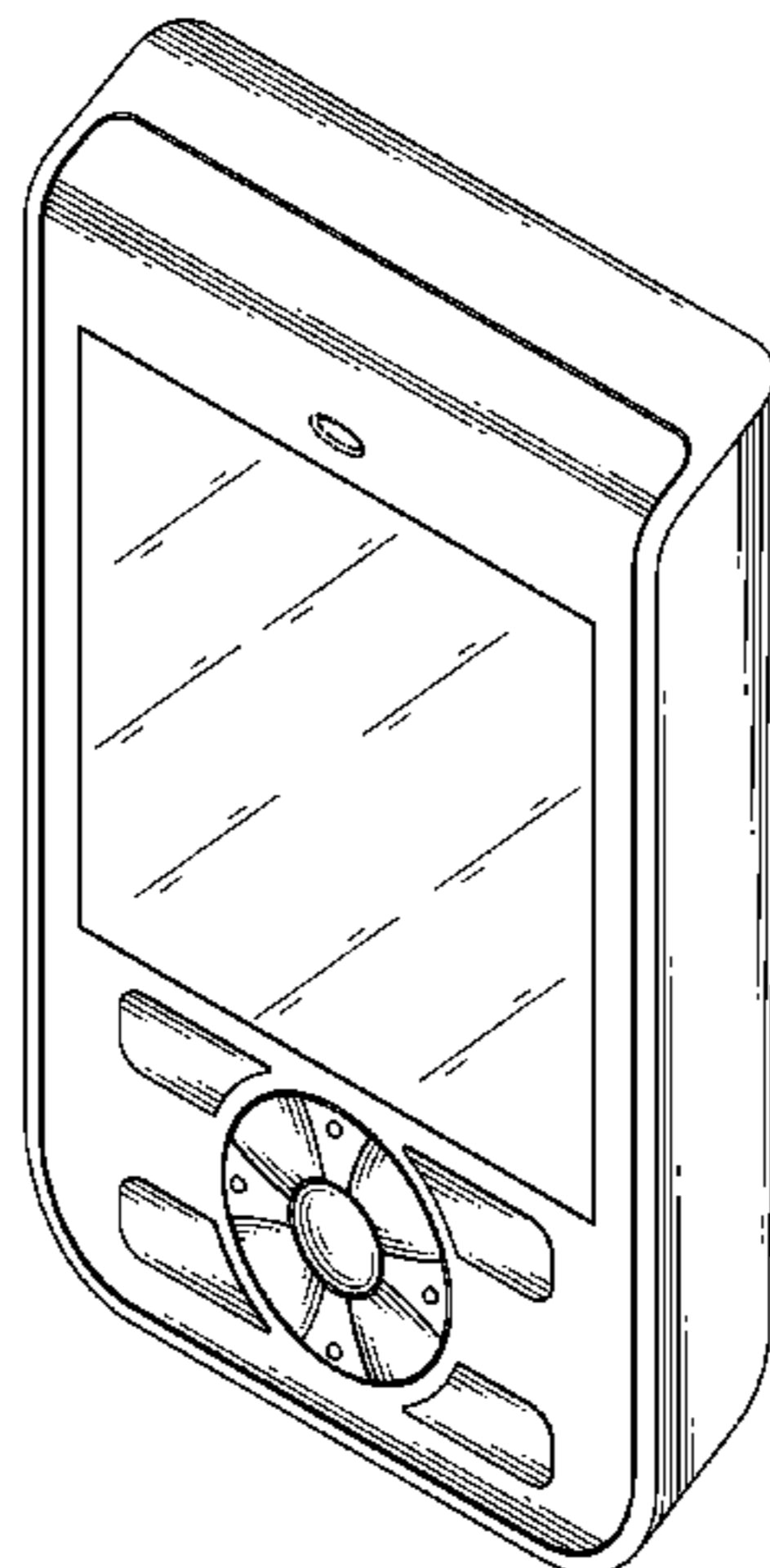
FIG. 6 is a top plan view thereof;

FIG. 7 is a bottom plan view thereof; and,

FIG. 8 is a perspective view of an open state thereof.

The broken lines immediately adjacent the shaded areas represent the bounds of the claimed design while all other broken lines are directed to environment and are for illustrative purposes only; the broken lines form no part of the claimed design.

1 Claim, 8 Drawing Sheets



OTHER PUBLICATIONS

BenQ-Siemens CL71, announced Mar. 2006, [online], [retrieved on Feb. 16, 2007]. Retrieved from Internet ,<URL: <http://www.gsmarena.com>>.*

Motorola ZN200, announced Aug. 2008. [online], [retrieved on Aug. 15, 2008]. Retrieved from Internet ,<URL: <http://www.gsmarena.com>>.*

Nokia 5300, announced Sep. 2006, [online], [retrieved on Feb. 16, 2007]. Retrieved from Internet ,<URL: <http://www.gsmarena.com>>.*

Sharp TAM100, announced 1st quarter 2004, [online], [retrieved on Feb. 20, 2007]. Retrieved from Internet ,<URL: <http://www.gsmarena.com>>.*

sony Ericsson W910, announced Jun. 2007, [online], [retrieved on Aug. 6, 2007]. Retrieved from Internet ,21 URL: <http://www.gsmarena.com>>.*

Gigabyte g-Smart i300, announced 2nd quarter 2006, [online], [retrieved on Feb. 20, 2007]. Retrieved from Internet ,<URL: <http://www.gsmarena.com>>.*

Sony Ericsson S500, announced May 2007, [online], [retrieved on May 18, 2007]. Retrieved from Internet ,<URL: <http://www.gsmarena.com>>.*

* cited by examiner

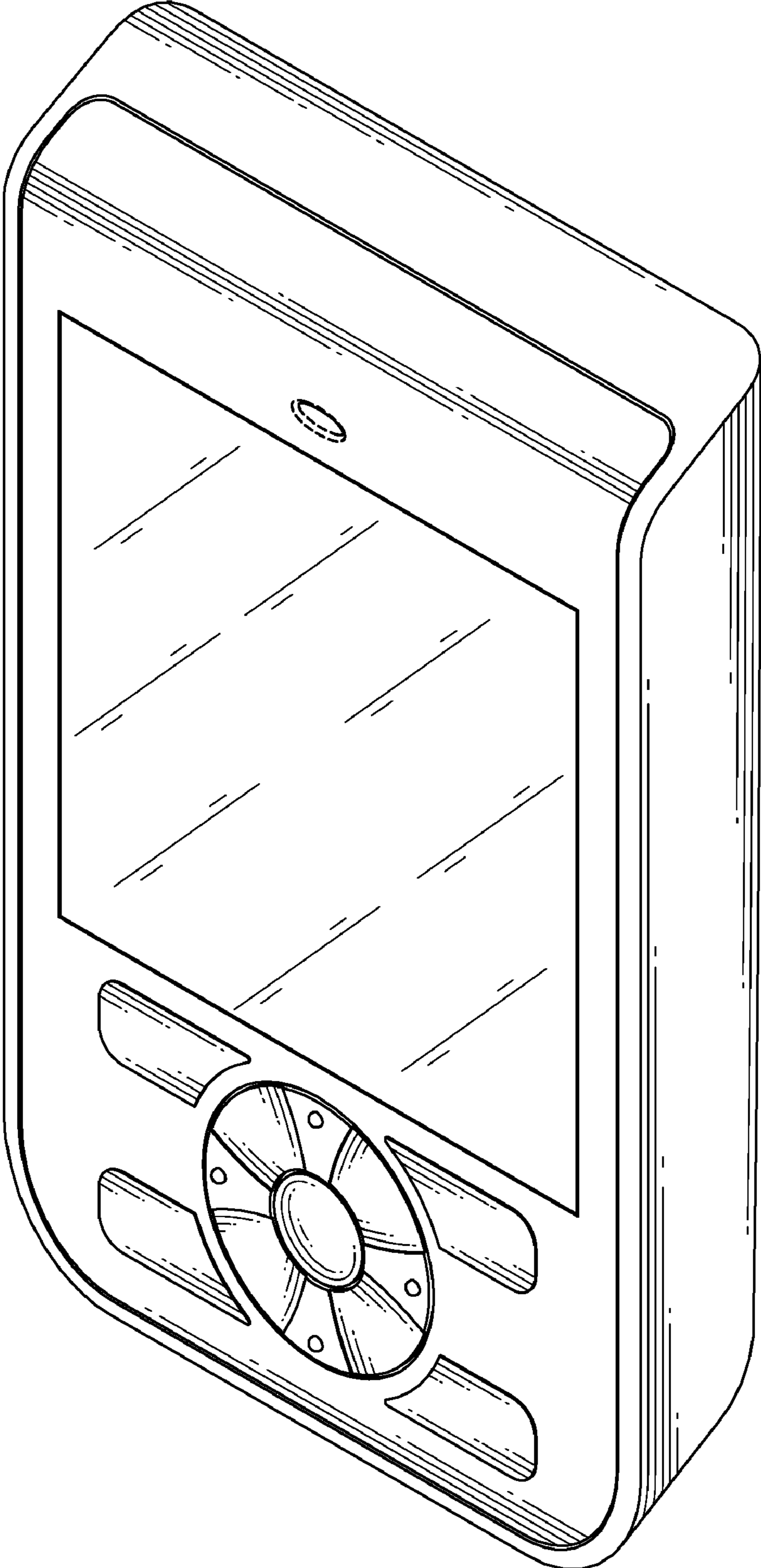


FIG. 1

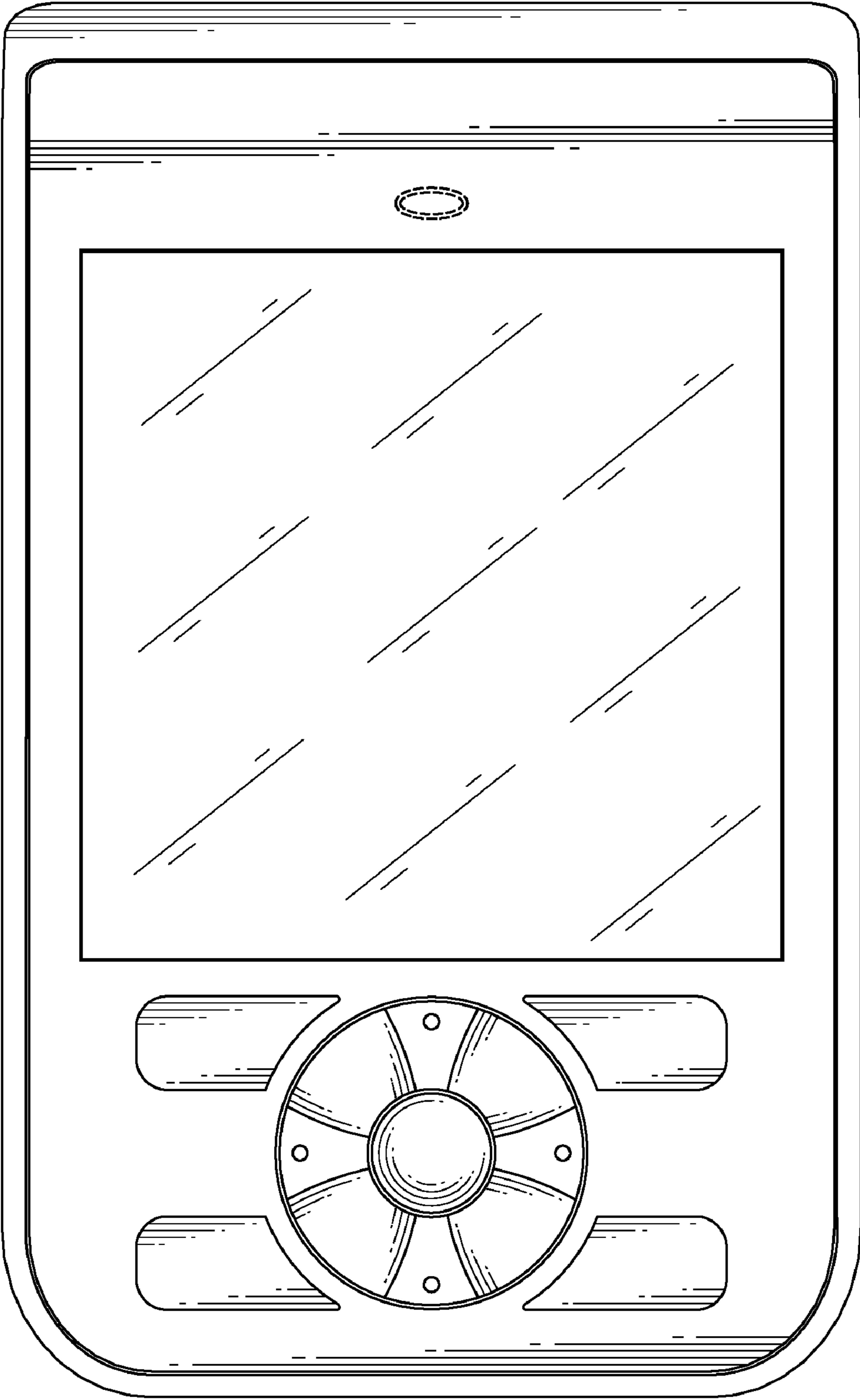


FIG. 2

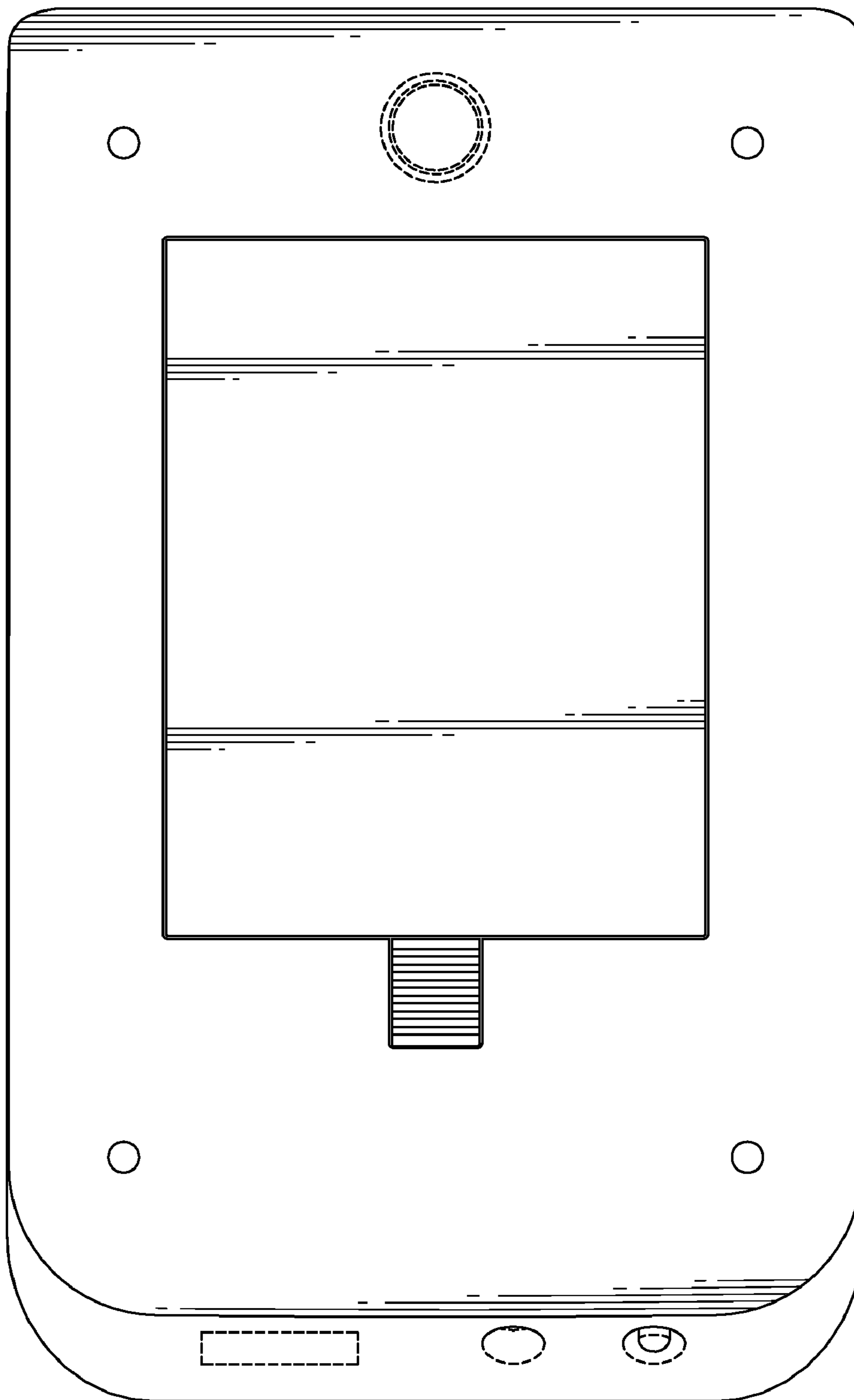


FIG. 3

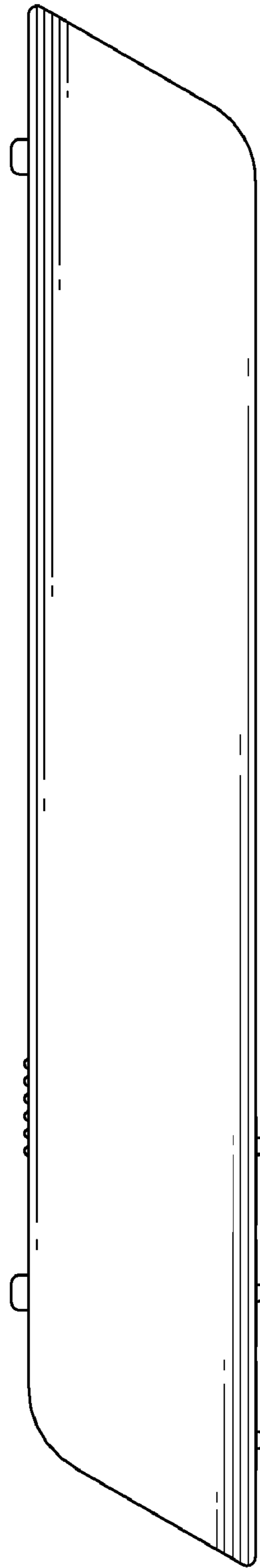


FIG. 4

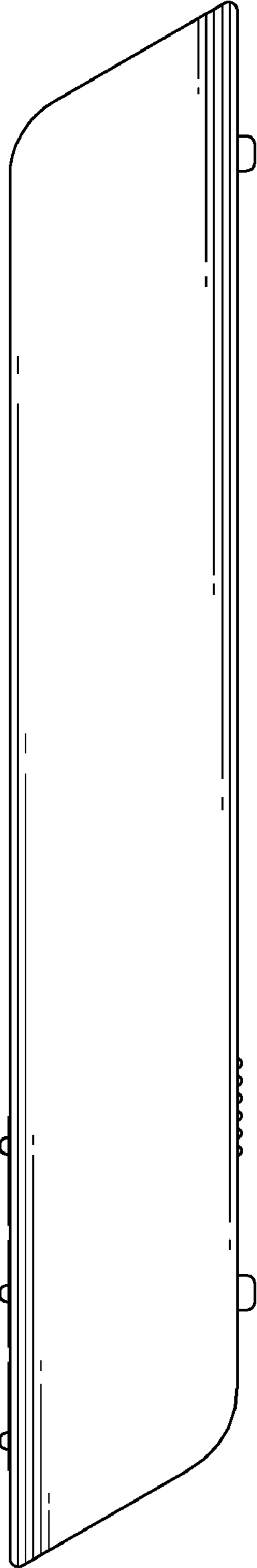


FIG. 5

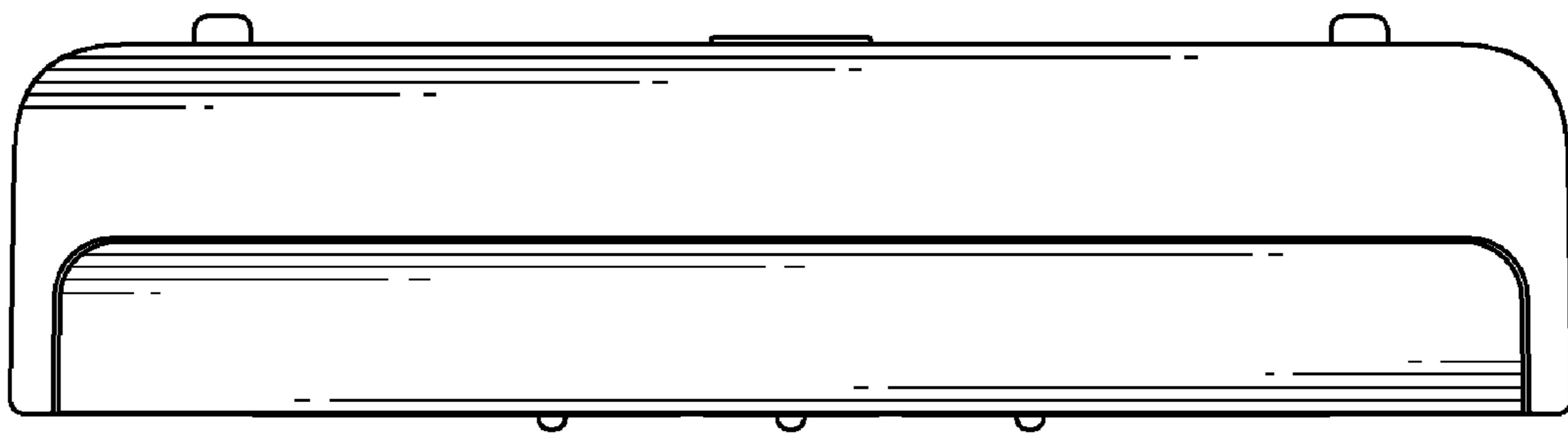


FIG. 6

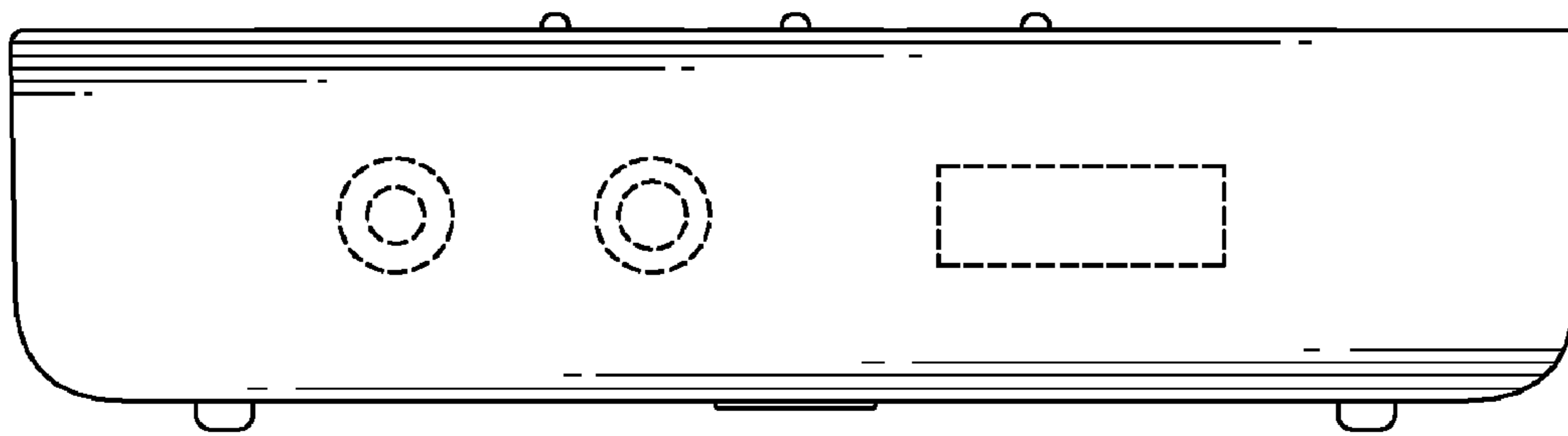


FIG. 7

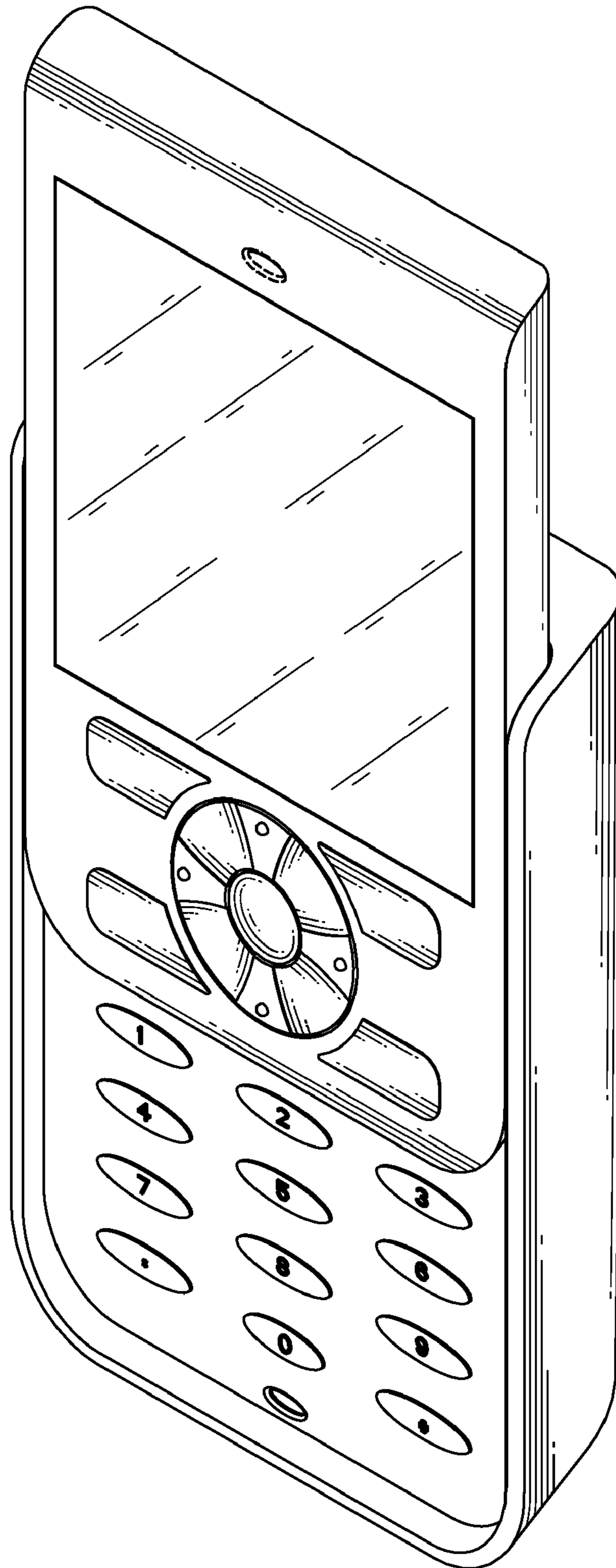


FIG. 8