



US00D601105S

(12) **United States Design Patent**  
**Morabito**

(10) **Patent No.:** **US D601,105 S**  
(45) **Date of Patent:** **\*\* Sep. 29, 2009**

(54) **ELECTRONIC DEVICE**

(75) Inventor: **Pascal Ito Morabito**, Paris (FR)

(73) Assignee: **Deutsche Telekom AG**, Bonn (DE)

(\*\*) Term: **14 Years**

(21) Appl. No.: **29/329,714**

(22) Filed: **Dec. 19, 2008**

(51) **LOC (9) Cl.** ..... **14-03**

(52) **U.S. Cl.** ..... **D14/129**

(58) **Field of Classification Search** ..... D14/125–134,  
D14/239, 371, 136, 374–377; 312/7.2; 348/836,  
348/838, 180, 184, 325, 739; 341/12; 248/917–924,  
248/465, 123.11; 345/104, 133, 156, 168,  
345/87, 173, 169; 349/1, 2, 11, 62; 720/605,  
720/669, 600, 655, 99, 197; 455/344–347  
See application file for complete search history.

(56) **References Cited**

**U.S. PATENT DOCUMENTS**

- D305,024 S \* 12/1989 Nishiyori et al. .... D14/131
- D403,670 S \* 1/1999 Liao ..... D14/375
- D438,849 S \* 3/2001 Adachi et al. .... D14/126
- D491,902 S \* 6/2004 Chen ..... D14/126
- D496,944 S \* 10/2004 Huang ..... D14/203.4
- D499,423 S \* 12/2004 Bahroocha et al. .... D14/203.7
- D525,600 S \* 7/2006 Voege ..... D14/126

- D558,791 S \* 1/2008 Toh et al. .... D14/496
- D565,594 S \* 4/2008 Poandl ..... D14/496
- D581,944 S \* 12/2008 Zhang et al. .... D14/496
- D587,703 S \* 3/2009 Yoon ..... D14/341
- 2008/0197050 A1 \* 8/2008 Strauser ..... 206/726

\* cited by examiner

*Primary Examiner*—Raphael Barkai

*Assistant Examiner*—Randall H Gholson

(74) *Attorney, Agent, or Firm*—Lovells LLP

(57) **CLAIM**

The ornamental design for an electronic device, as shown and described.

**DESCRIPTION**

FIG. 1 is a perspective view from front side of an ornamental design for an electronic device;

FIG. 2 is a perspective view from rear side of the embodiment in FIG. 1;

FIG. 3 is a front view of the embodiment in FIG. 1;

FIG. 4 is a rear view of the embodiment in FIG. 1;

FIG. 5 is a top side view of the embodiment in FIG. 1;

FIG. 6 is a bottom side view of the embodiment in FIG. 1;

FIG. 7 is a left side view of the embodiment in FIG. 1; and,

FIG. 8 is a right side view of the embodiment in FIG. 1.

**1 Claim, 8 Drawing Sheets**

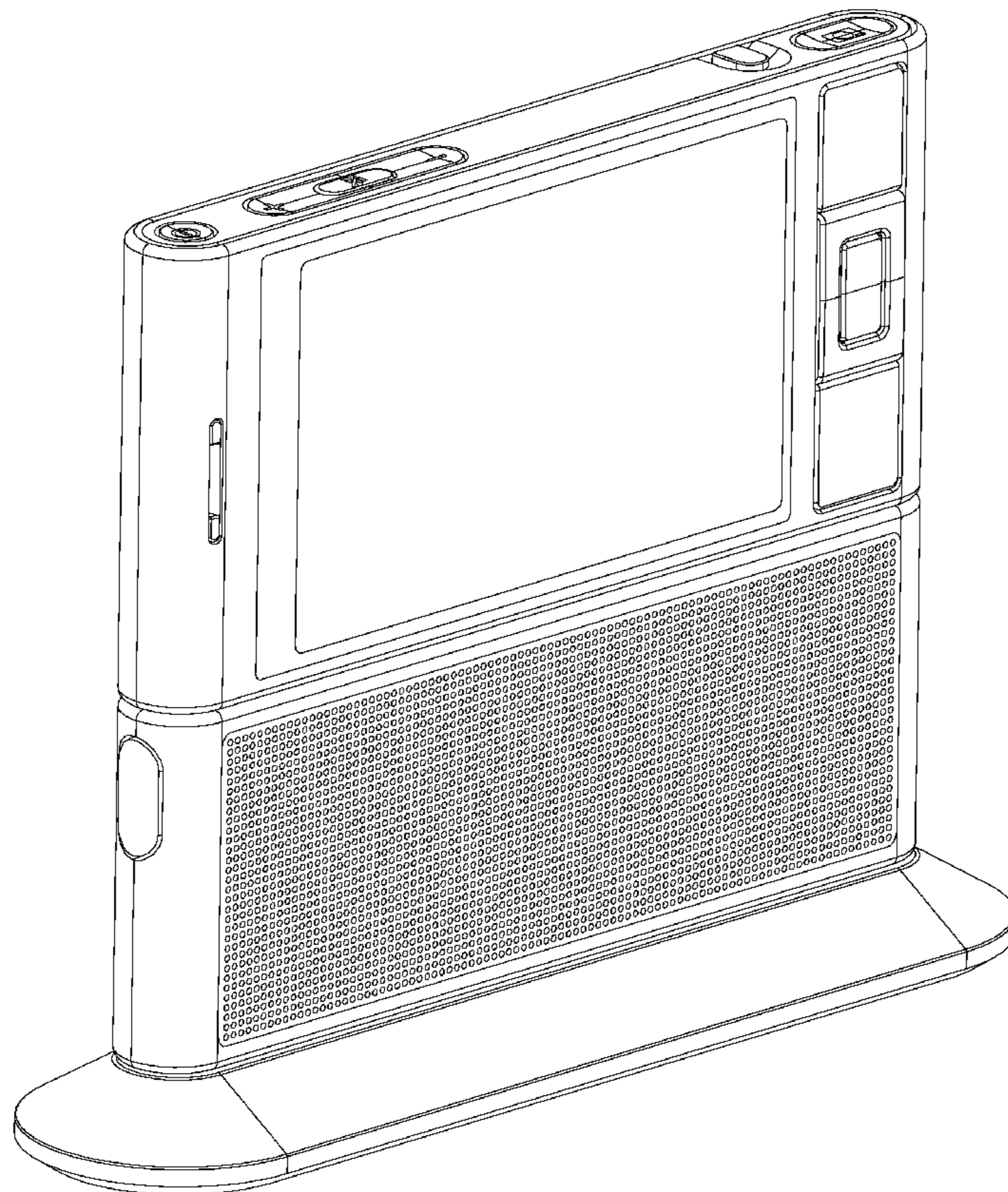


FIG. 1

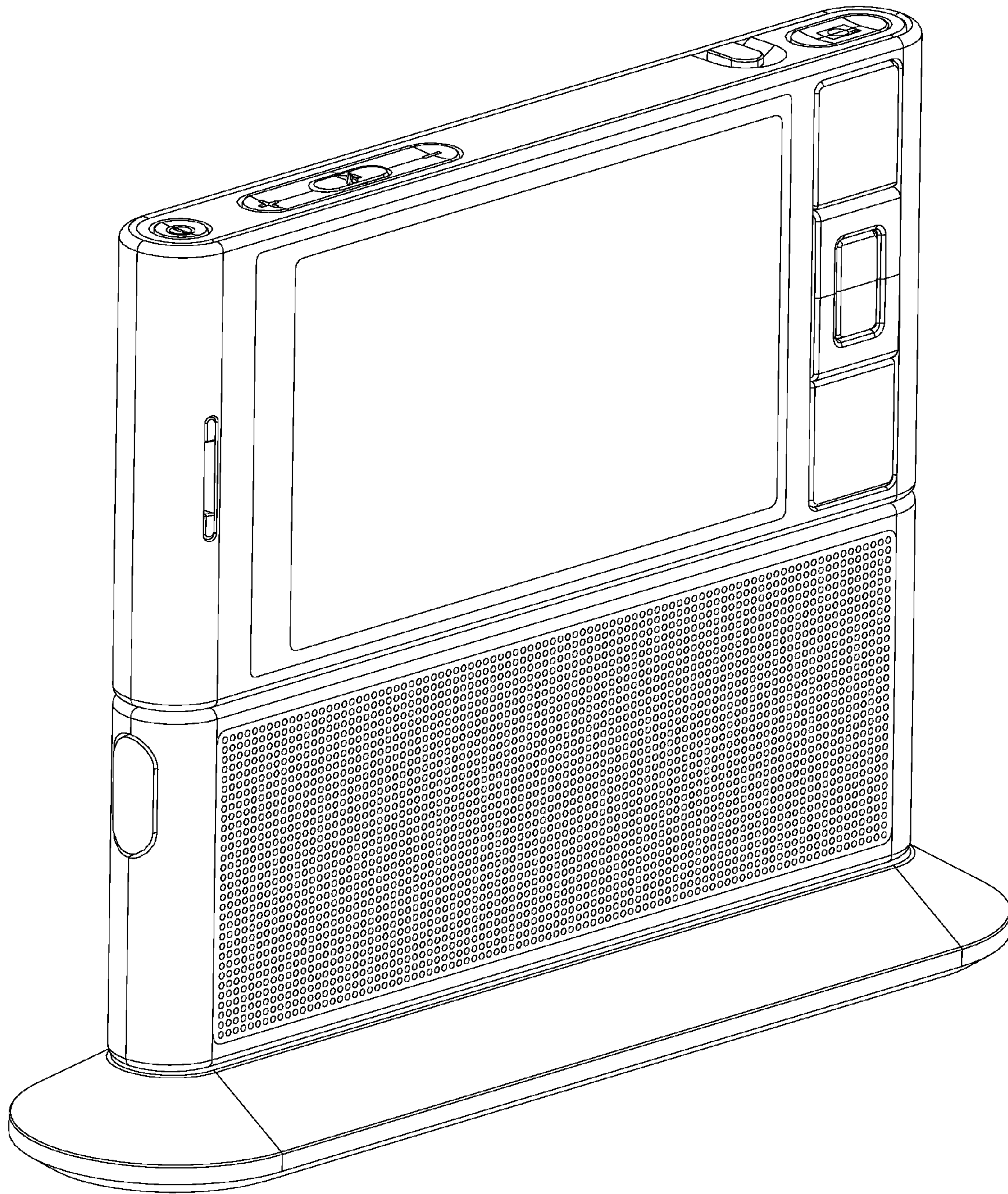


FIG. 2

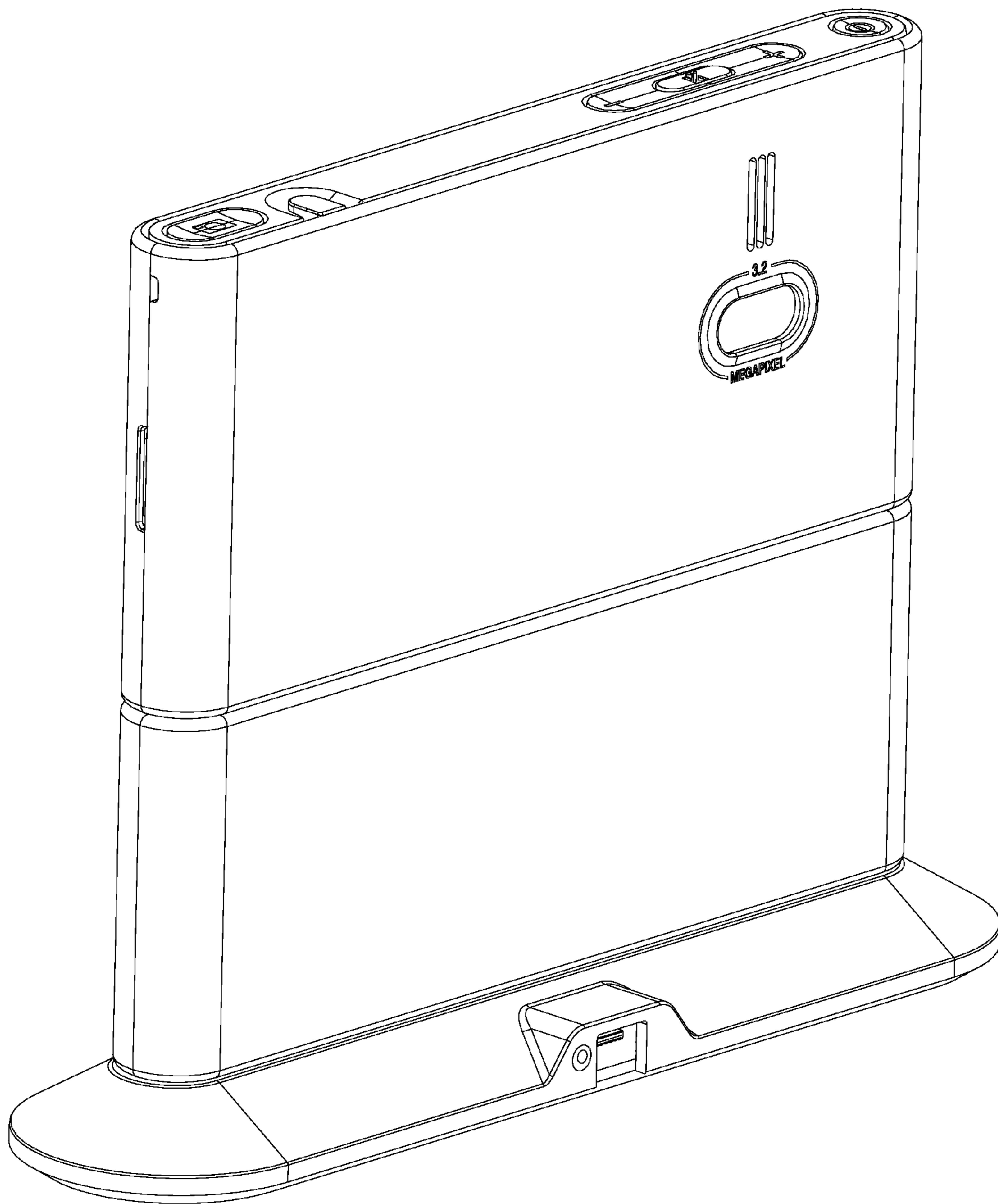


FIG. 3

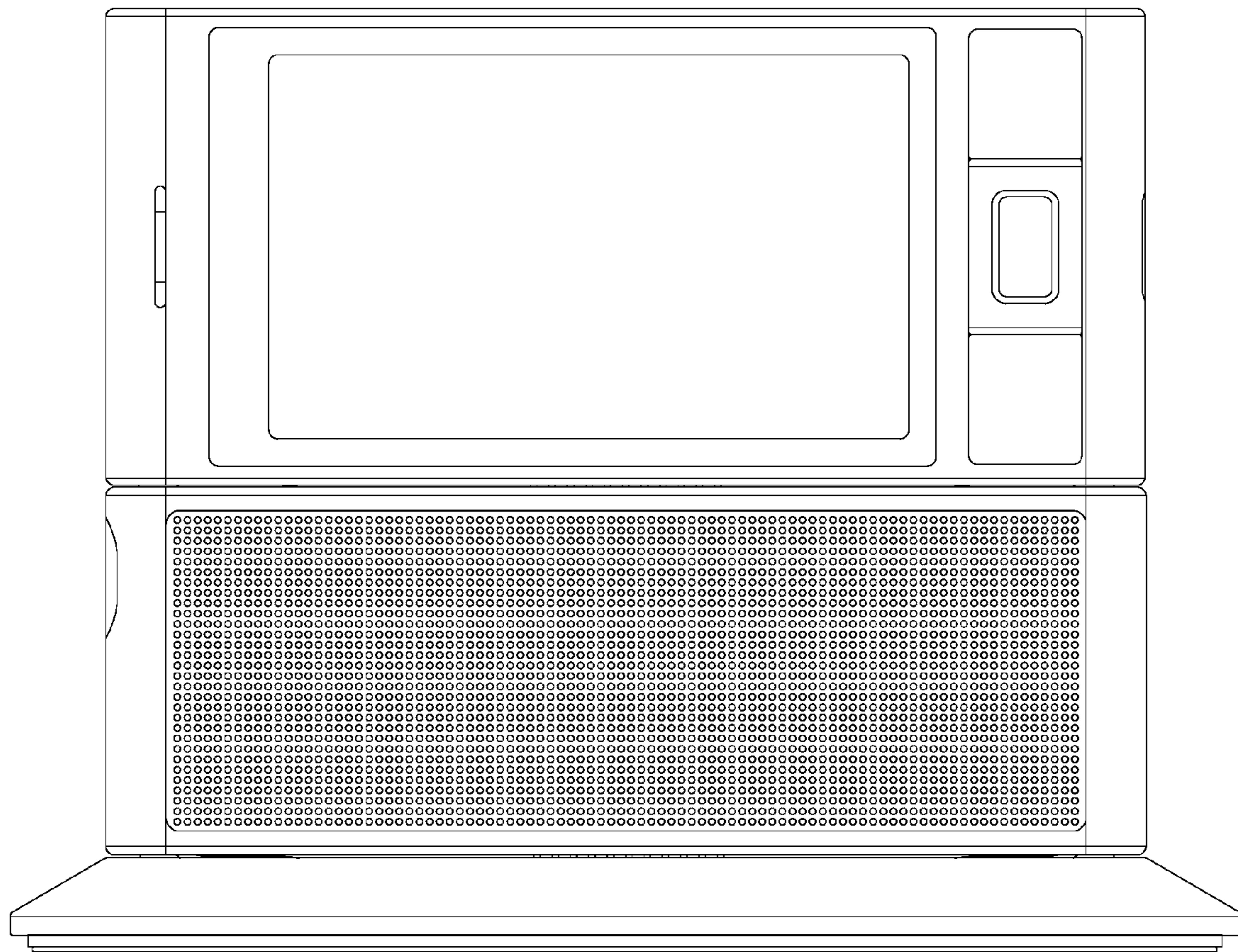


FIG. 4

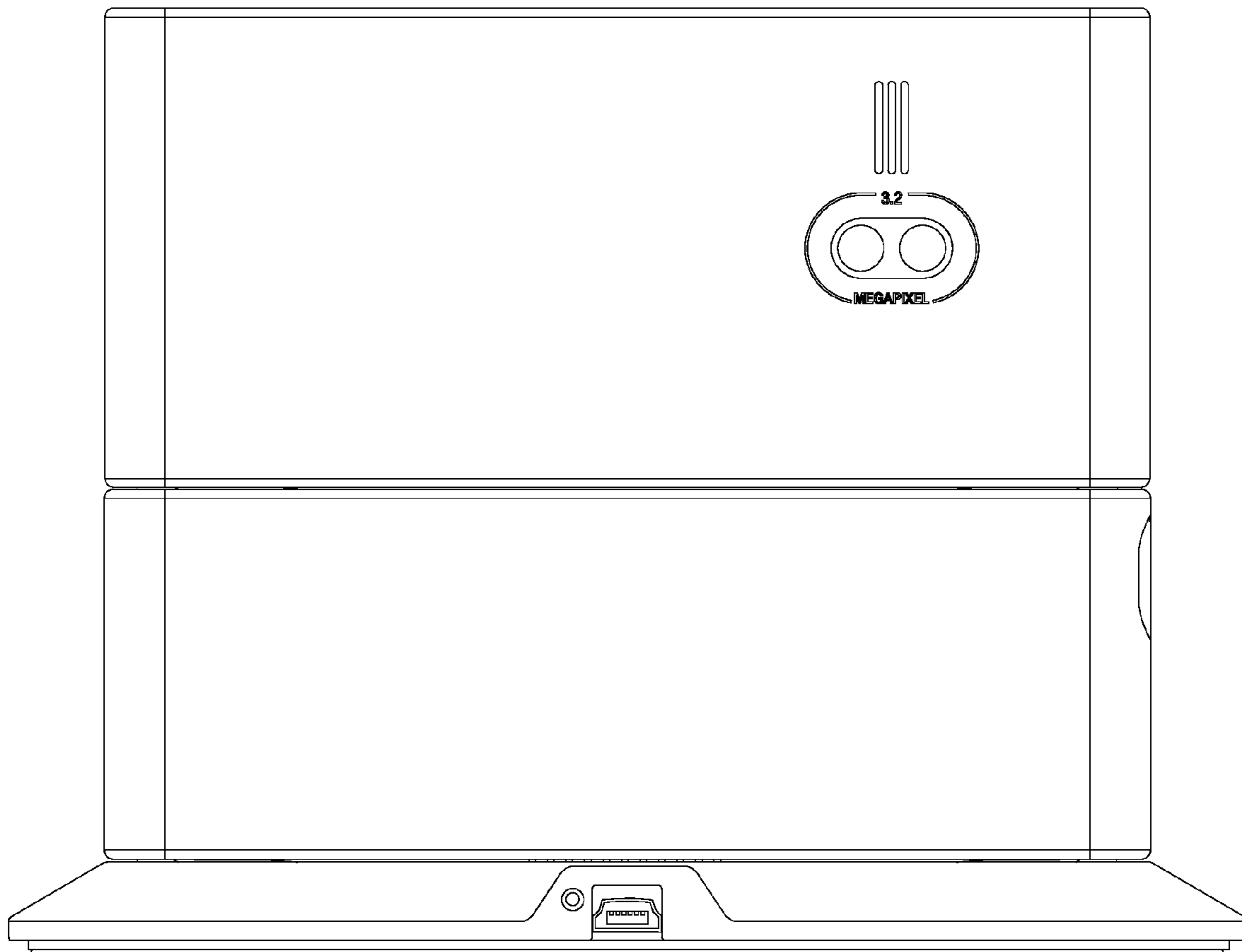


FIG. 5

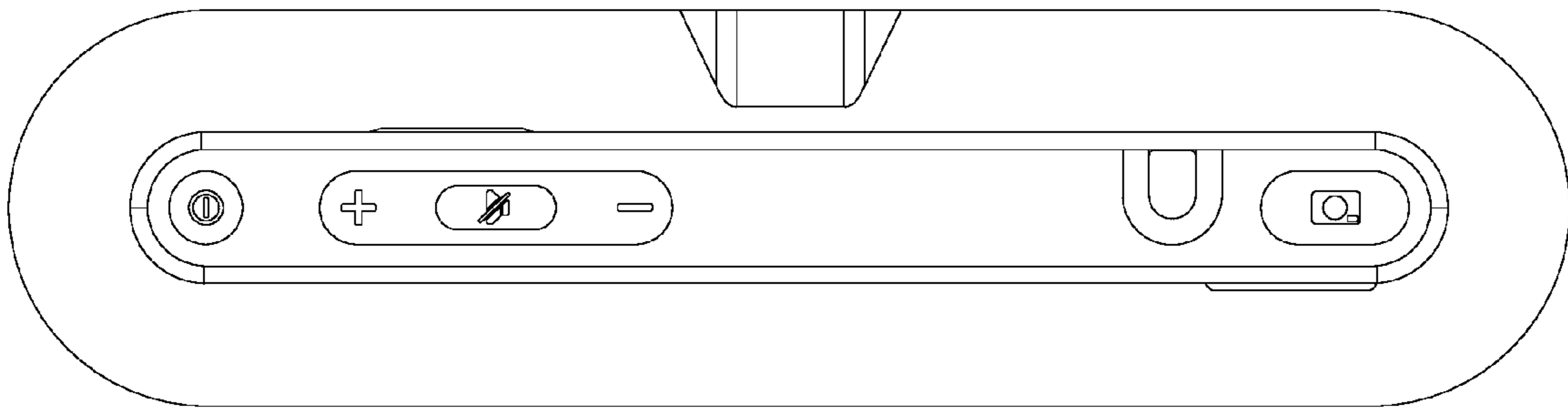
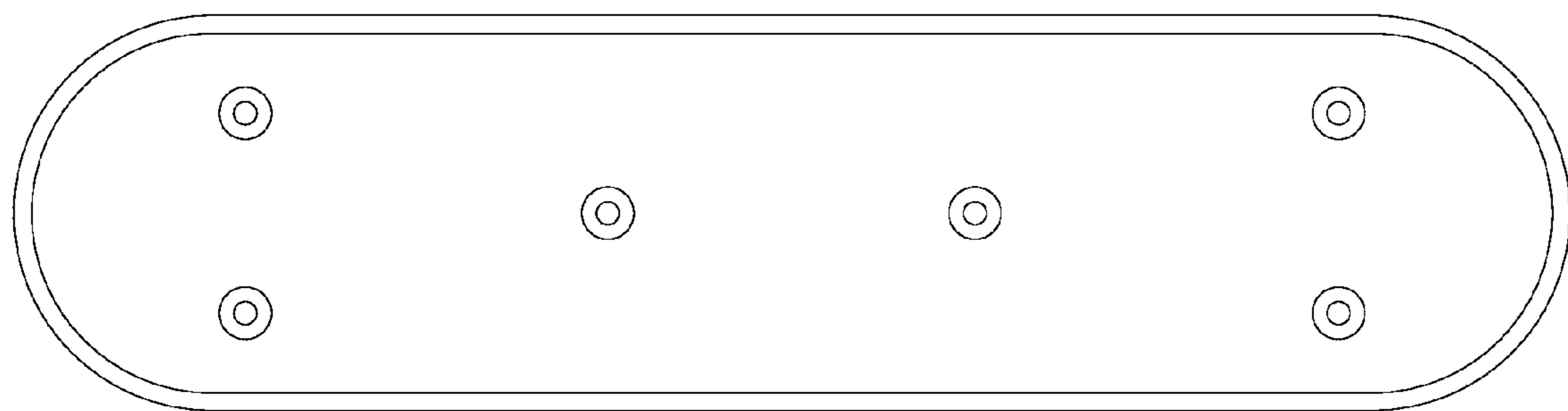
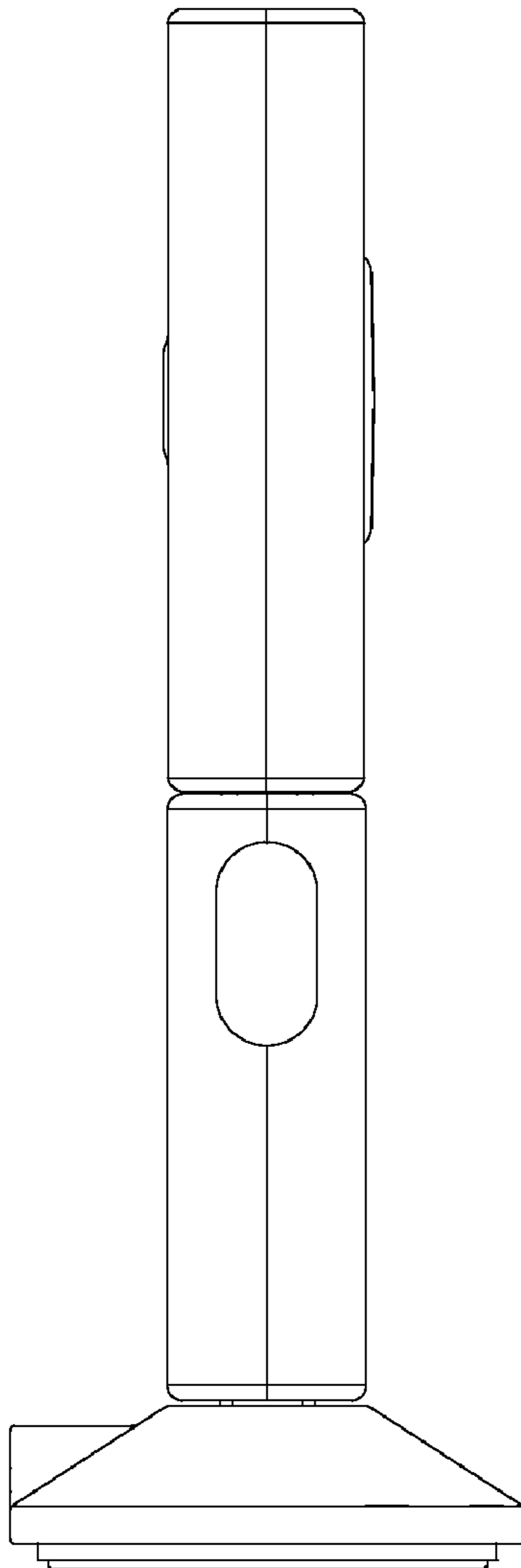


FIG. 6



**FIG. 7**





**FIG. 8**

