



US00D601103S

(12) **United States Design Patent**
Pape et al.

(10) **Patent No.:** **US D601,103 S**
(45) **Date of Patent:** **** Sep. 29, 2009**

(54) **POWER CONTROLLER HOUSING**

(75) Inventors: **Robert Allen Pape**, Winona, MN (US);
Stanton Hopkins Breitlow, Winona,
MN (US); **John Frederic Lemke**,
Houston, MN (US); **Keith Douglas**
Ness, Winona, MN (US); **Thomas**
Robert Pfingsten, Winona, MN (US);
Theodore Thomas Von Arx, La
Crescent, MN (US)

(73) Assignee: **Watlow Electric Manufacturing**
Company, St. Louis, MO (US)

(**) Term: **14 Years**

(21) Appl. No.: **29/285,699**

(22) Filed: **Apr. 6, 2007**

Related U.S. Application Data

(63) Continuation of application No. 11/656,930, filed on
Jan. 23, 2007.

(51) **LOC (9) Cl.** **13-03**

(52) **U.S. Cl.** **D13/184; D13/158**

(58) **Field of Classification Search** D13/110,
D13/119, 133, 152, 158, 159, 162, 177, 184,
D13/147, 160, 182, 199, 123, 162.1; D10/75,
D10/121; D14/140, 158, 240, 388; 206/1.5;
307/149; 361/752, 627; 439/189, 568, 660,
439/49, 709

See application file for complete search history.

(56) **References Cited**

U.S. PATENT DOCUMENTS

D355,411 S * 2/1995 Sadigh-Behzadi D13/182

6,188,581 B1 * 2/2001 Daoud 361/752
D449,789 S * 10/2001 Gunji et al. D10/104
D456,013 S * 4/2002 Heckenkamp D13/184
D476,298 S * 6/2003 Lee D13/184
D555,106 S * 11/2007 Pape et al. D13/158
D555,603 S * 11/2007 Pape et al. D13/162
D558,683 S * 1/2008 Pape et al. D13/158
D559,187 S * 1/2008 Hayashi D13/147

* cited by examiner

Primary Examiner—Daniel D Bui

Assistant Examiner—Thomas J Johannes

(74) *Attorney, Agent, or Firm*—Brinks Hofer Gilson & Lione

(57) **CLAIM**

The ornamental design for a power controller housing, as
shown and described.

DESCRIPTION

FIG. 1 is a perspective view of the power controller housing
showing our new design;

FIG. 2 is a back view thereof;

FIG. 3 is a front view thereof;

FIG. 4 is a left side view thereof;

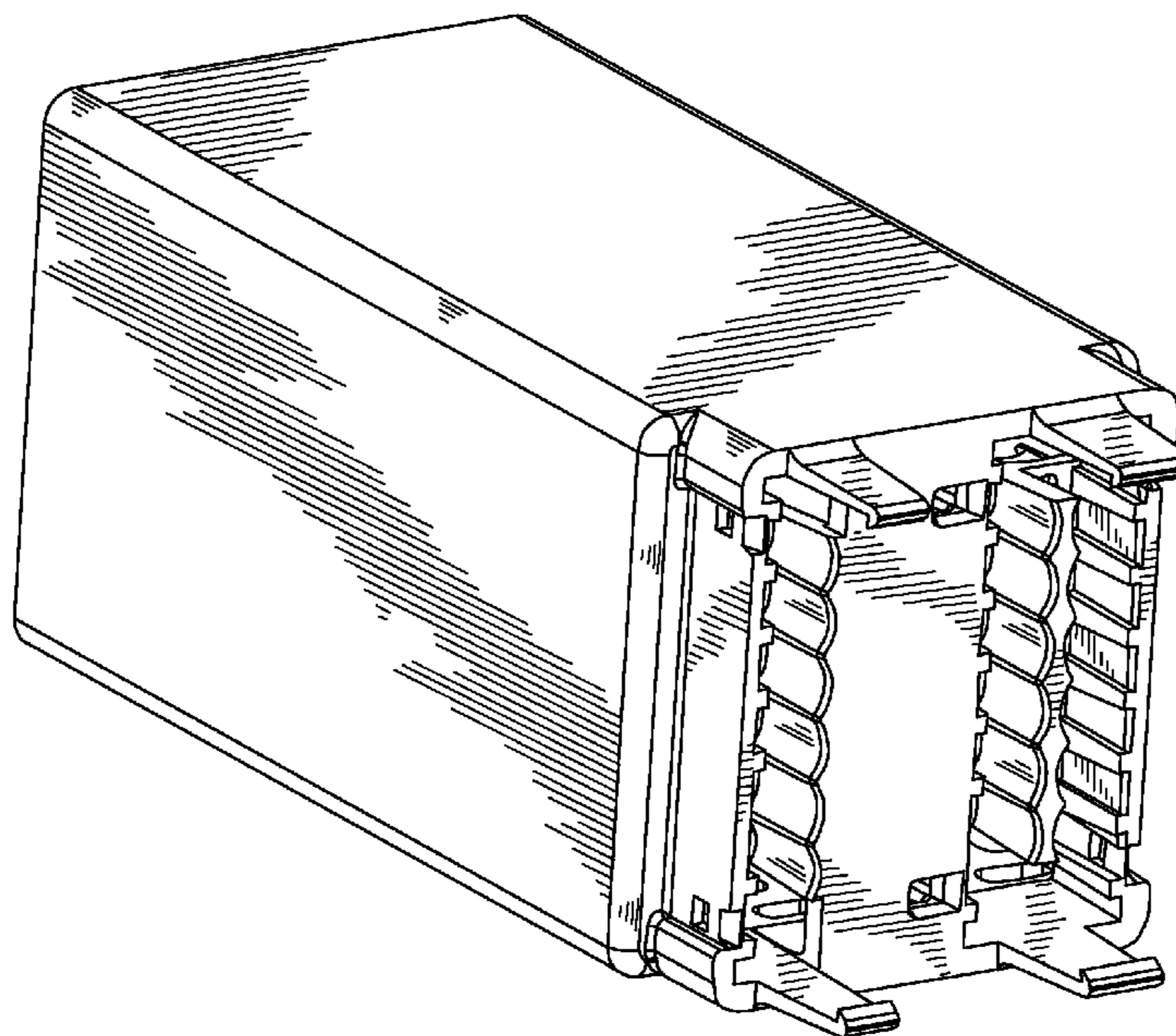
FIG. 5 is a right side view thereof;

FIG. 6 is a top view thereof; and,

FIG. 7 is a bottom view thereof.

The broken lines are included for the purpose of illustrating
environmental structure and form no part of the claimed
design.

1 Claim, 7 Drawing Sheets



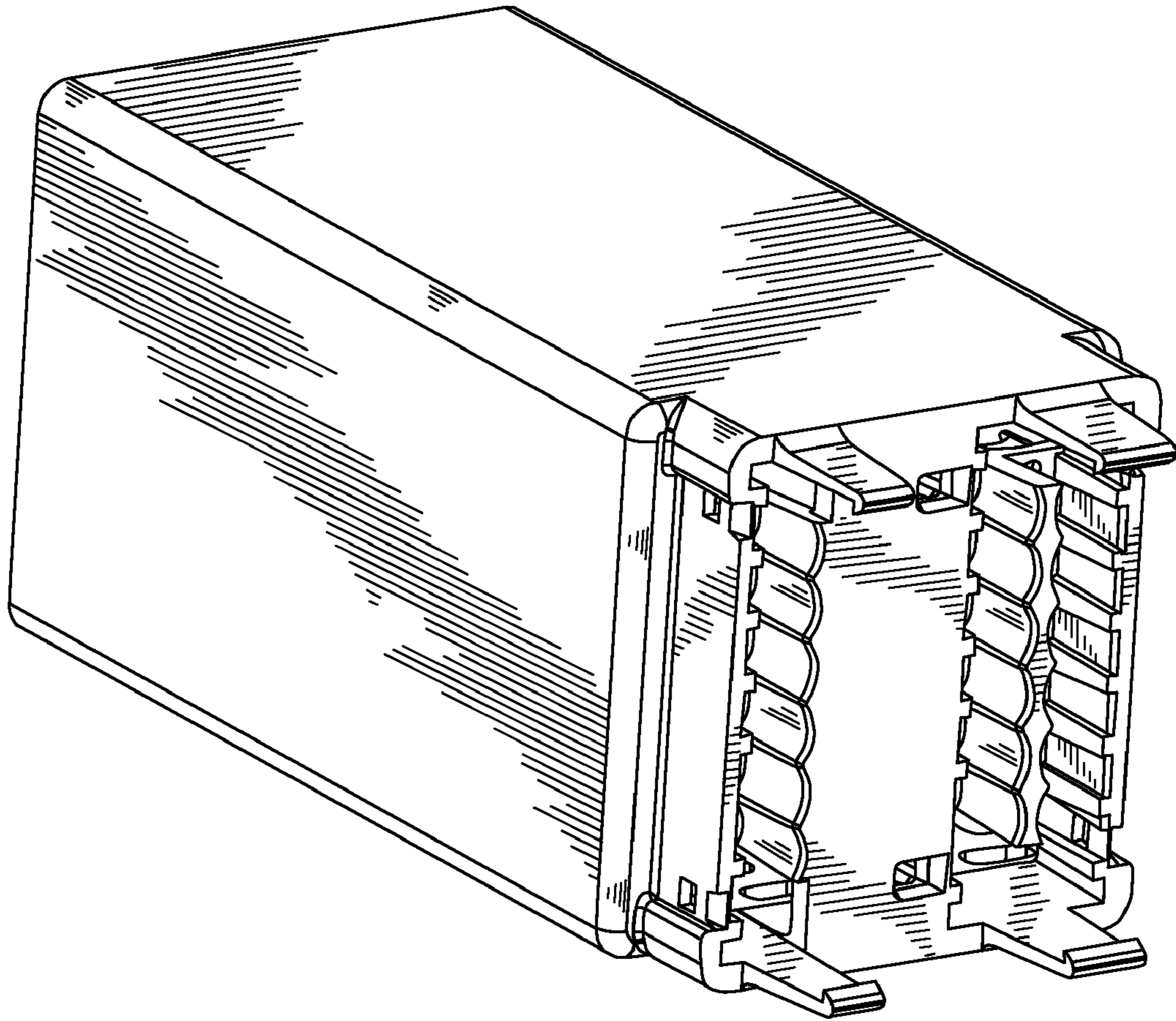


FIG. 1

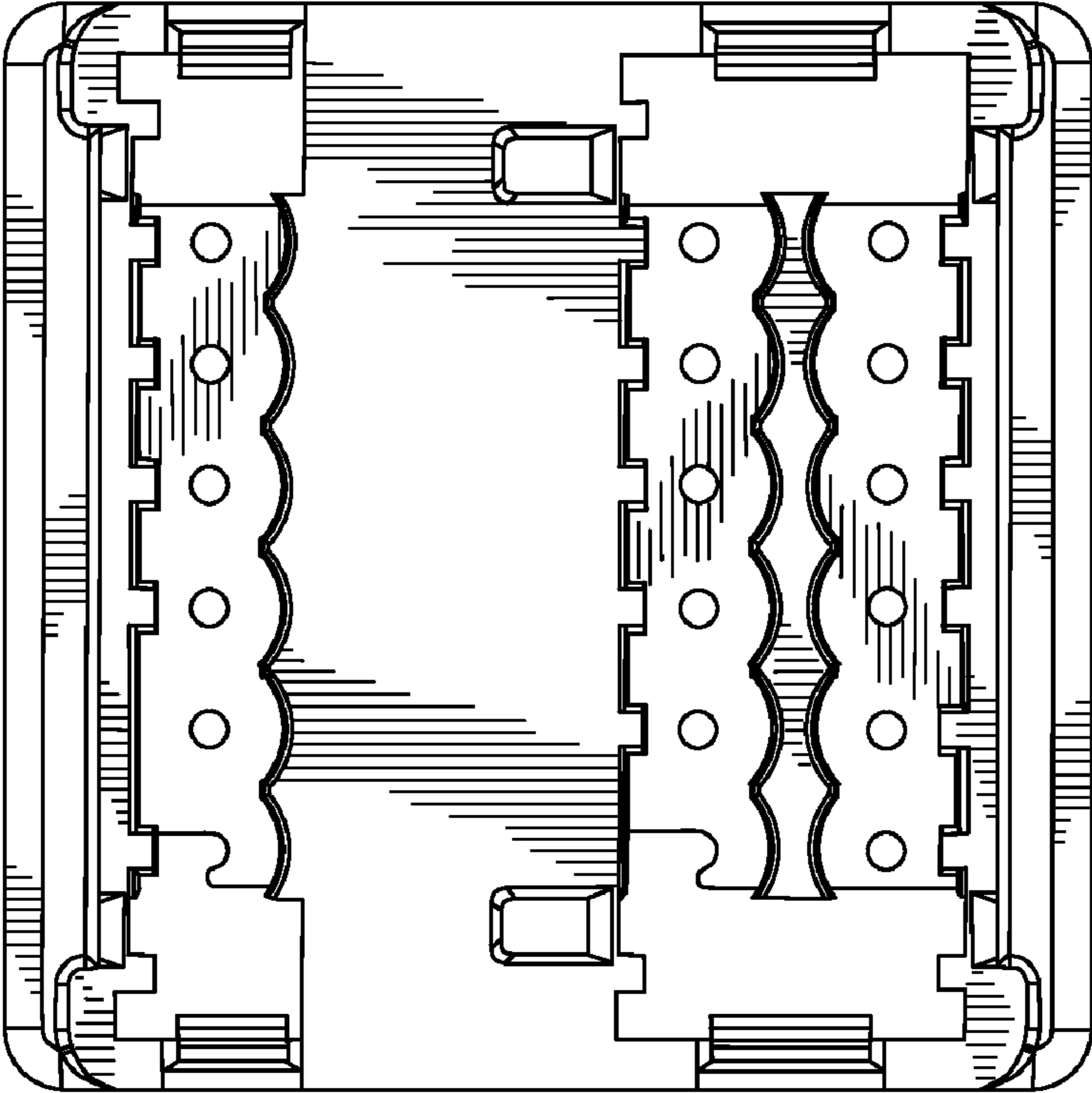


FIG. 2

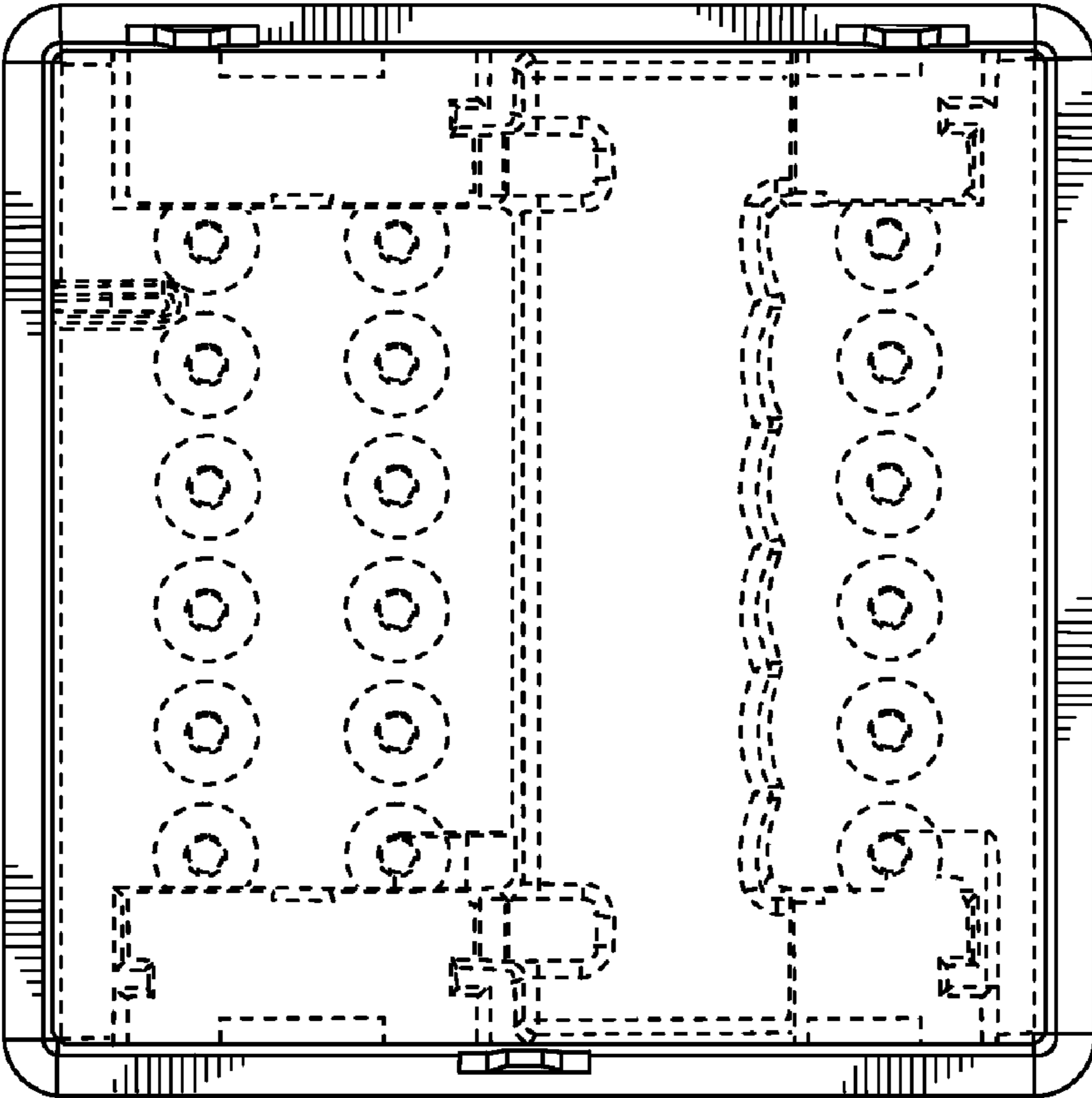


FIG. 3

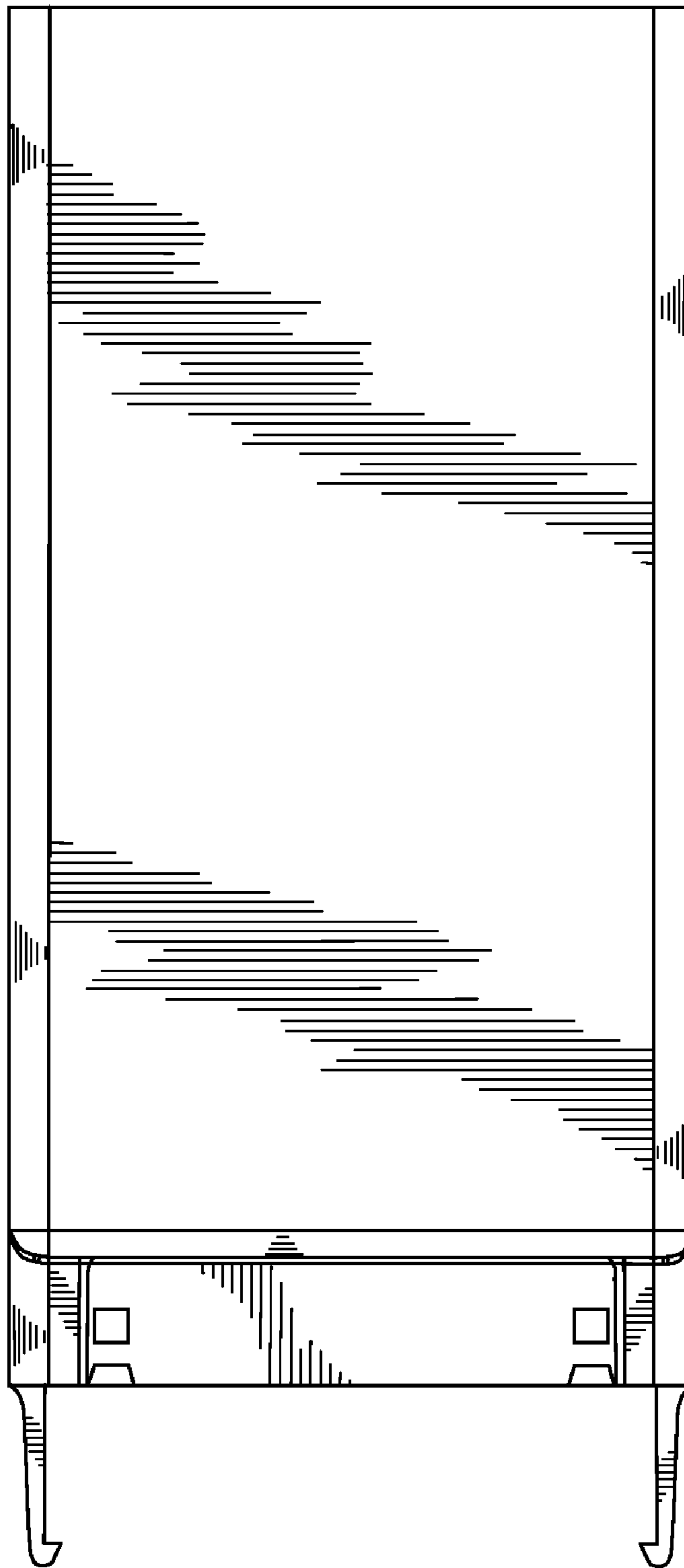


FIG. 4

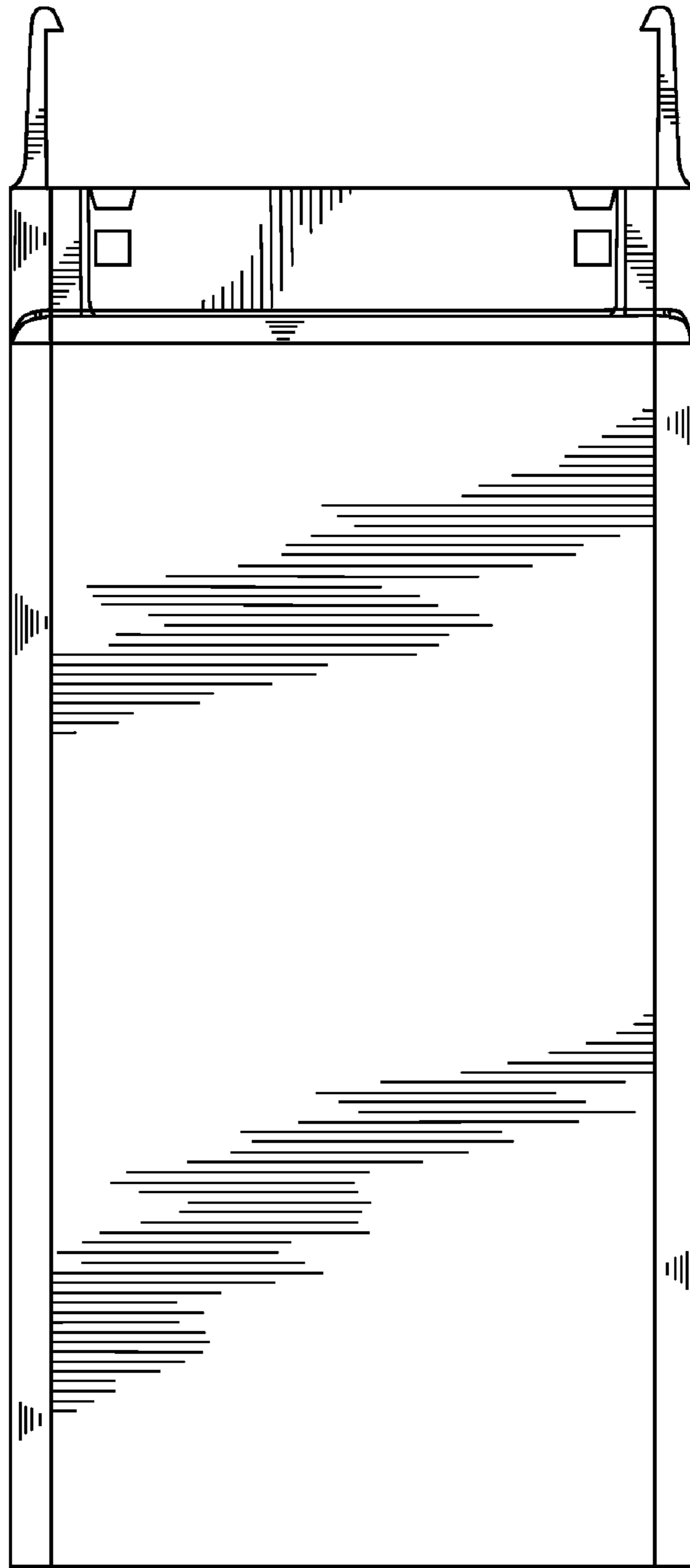


FIG. 5

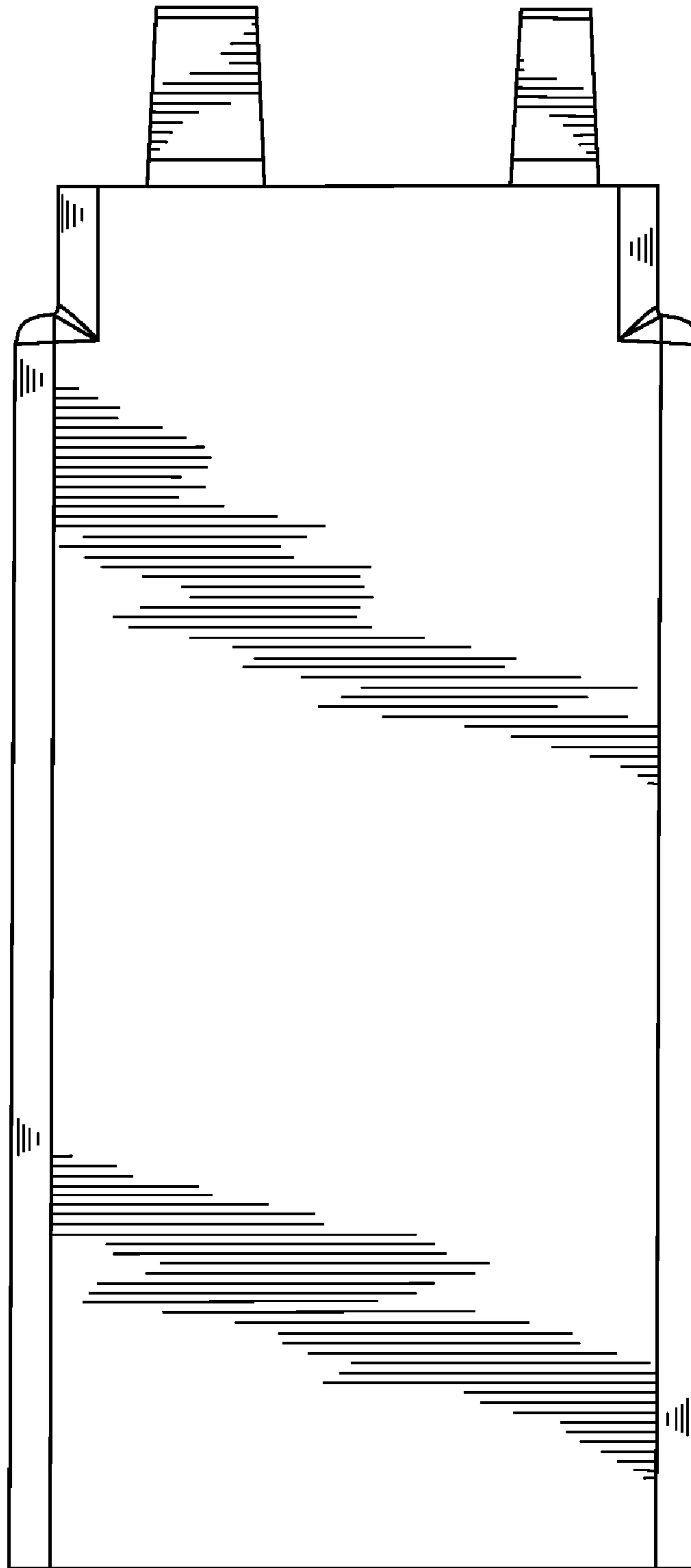


FIG. 6

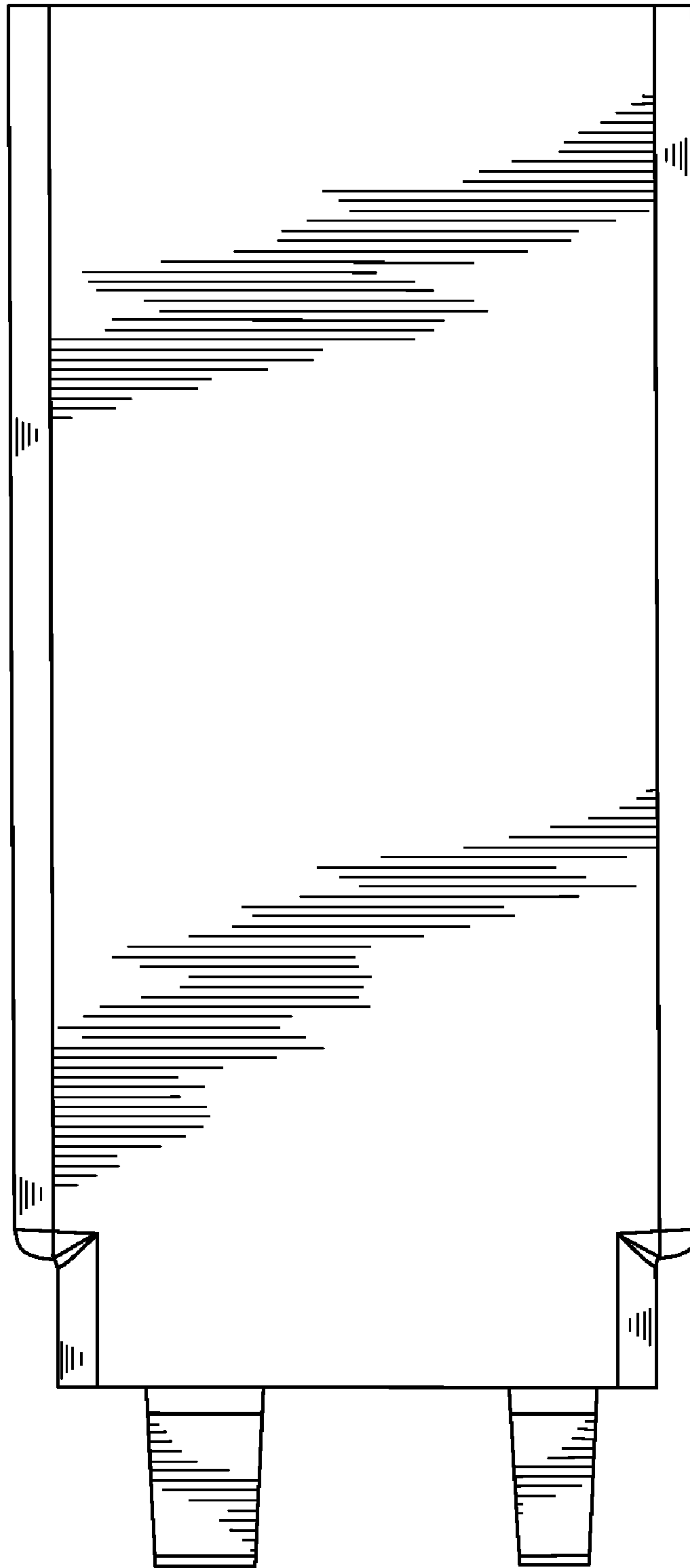


FIG. 7