



US00D601100S

(12) **United States Design Patent**
Währenberg

(10) **Patent No.:** **US D601,100 S**

(45) **Date of Patent:** **** Sep. 29, 2009**

(54) **SWITCH**

(75) Inventor: **Joakim Währenberg**, Västerås (SE)

(73) Assignee: **ABB AB**, Västerås (SE)

(**) Term: **14 Years**

(21) Appl. No.: **29/326,383**

(22) Filed: **Oct. 16, 2008**

(30) **Foreign Application Priority Data**

Apr. 18, 2008 (EM) 000919949-0006

(51) **LOC (9) Cl.** **13-03**

(52) **U.S. Cl.** **D13/171**

(58) **Field of Classification Search** D13/158,
D13/171, 174; 174/66; 200/5 R, 5 A, 1 B,
200/293, 296, 329, 406, 513, 520, 530, 302.1,
200/302.2, 314, 315, 341, 344; 315/291-296;
338/198-200

See application file for complete search history.

(56) **References Cited**

U.S. PATENT DOCUMENTS

D344,930 S * 3/1994 Schaeffer D13/171
D432,387 S * 10/2000 Hyp D8/310
D432,997 S * 10/2000 Bonn D13/174
D432,998 S * 10/2000 Decosse D13/174

D507,543 S * 7/2005 Ishii et al. D13/174
D559,799 S * 1/2008 Neveu D13/174

* cited by examiner

Primary Examiner—Selina Sikder

(74) *Attorney, Agent, or Firm*—Venable LLP; Eric J. Franklin

(57) **CLAIM**

The ornamental design for a switch, as shown and described.

DESCRIPTION

FIG. 1 is a perspective view of an embodiment of the switch showing my new design;

FIG. 2 is another perspective view thereof;

FIG. 3 is another perspective view thereof;

FIG. 4 is another perspective view thereof;

FIG. 5 is another perspective view thereof;

FIG. 6 is another perspective view thereof;

FIG. 7 is a top view thereof;

FIG. 8 is bottom view thereof;

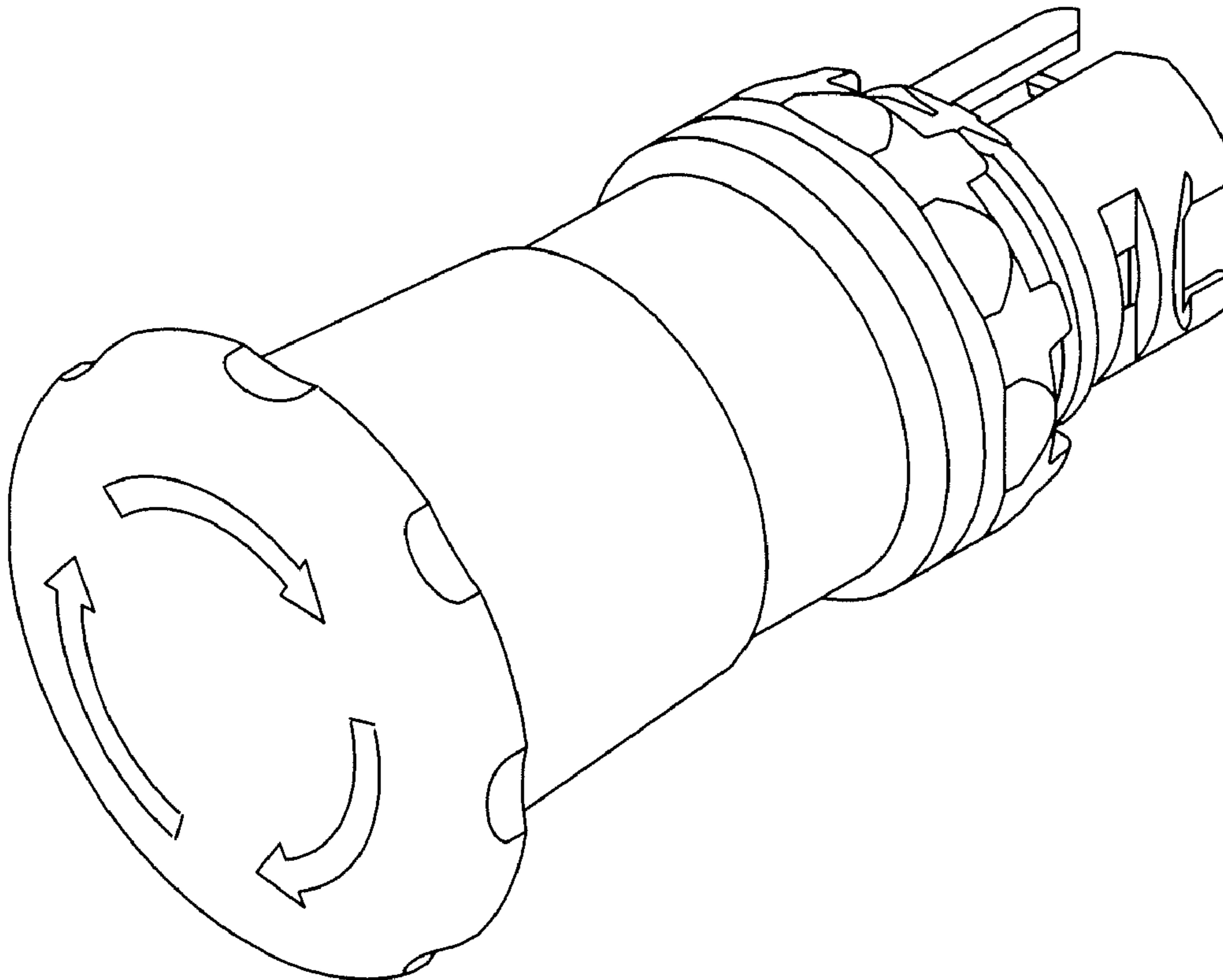
FIG. 9 is a right side view thereof;

FIG. 10 is a left side view thereof;

FIG. 11 is a front view thereof; and,

FIG. 12 is a rear view thereof.

1 Claim, 12 Drawing Sheets



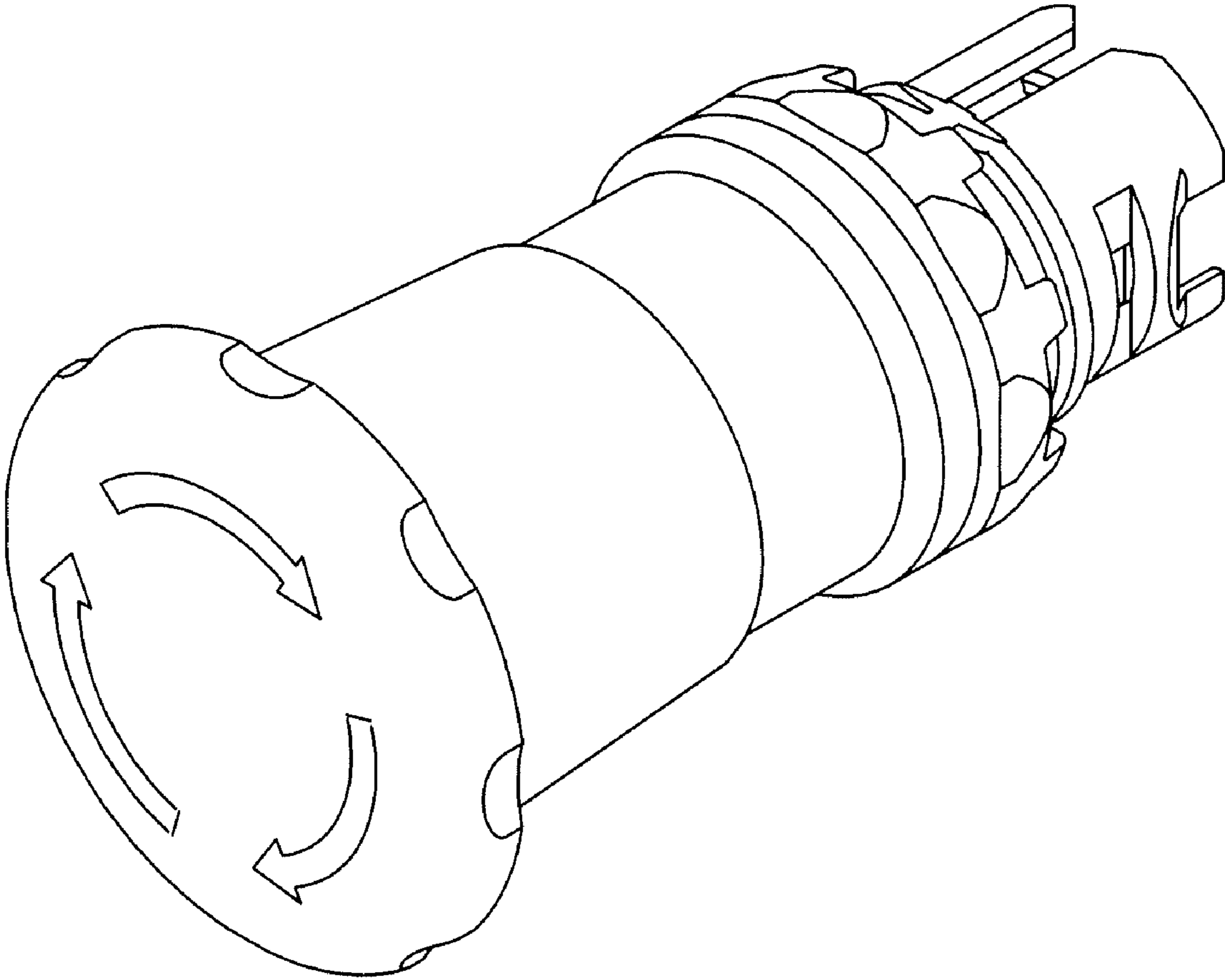


Fig. 1

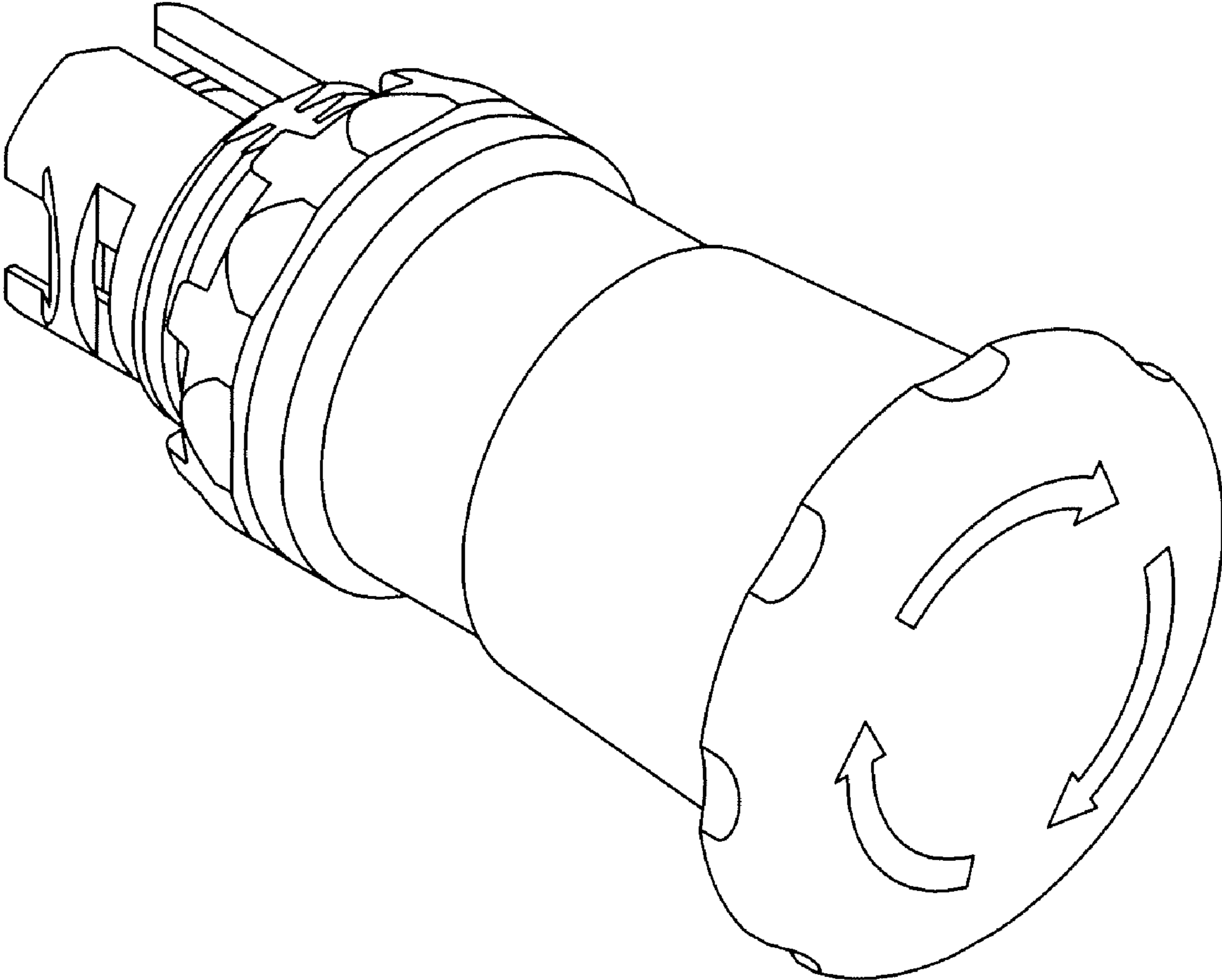


Fig. 2

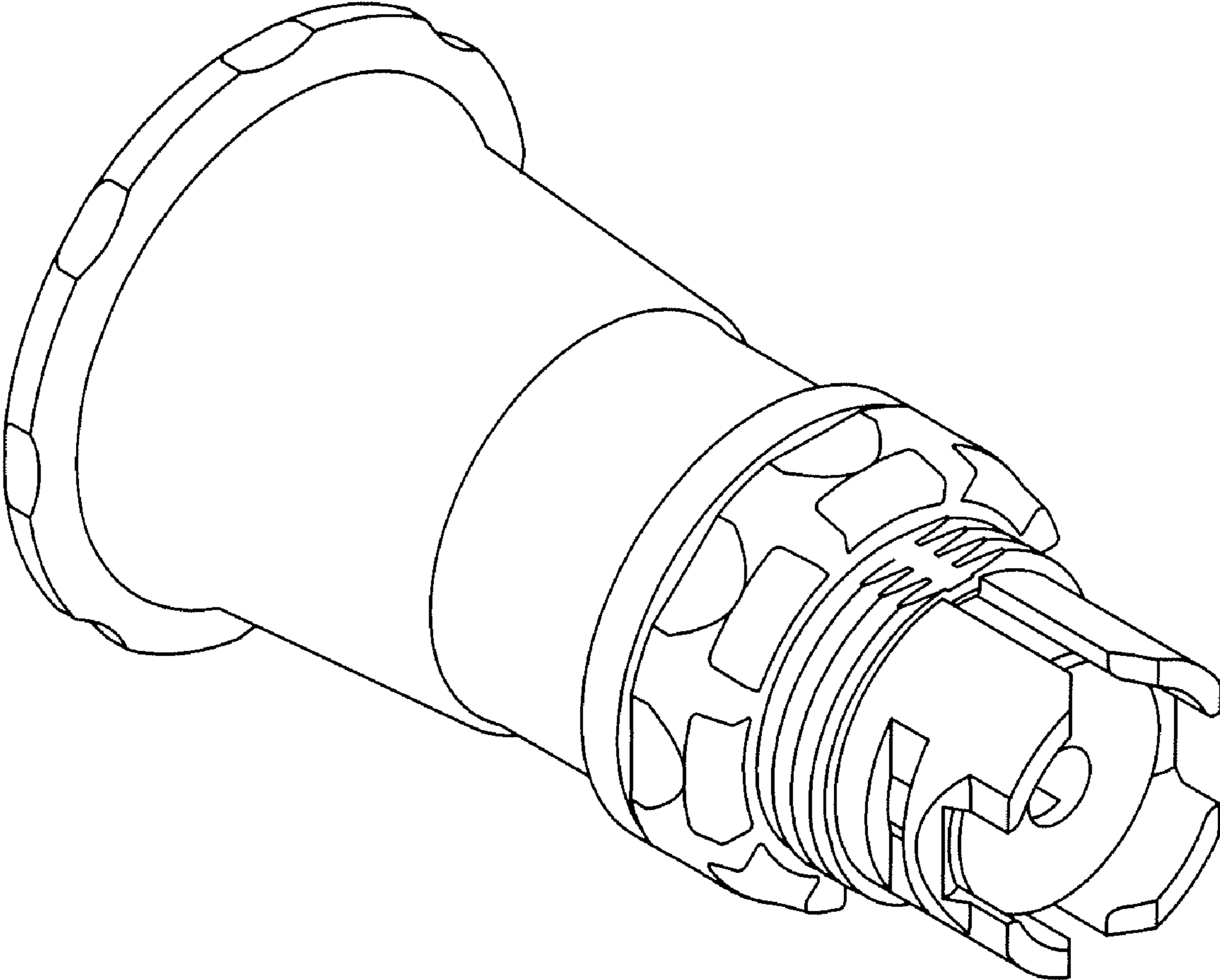


Fig. 3

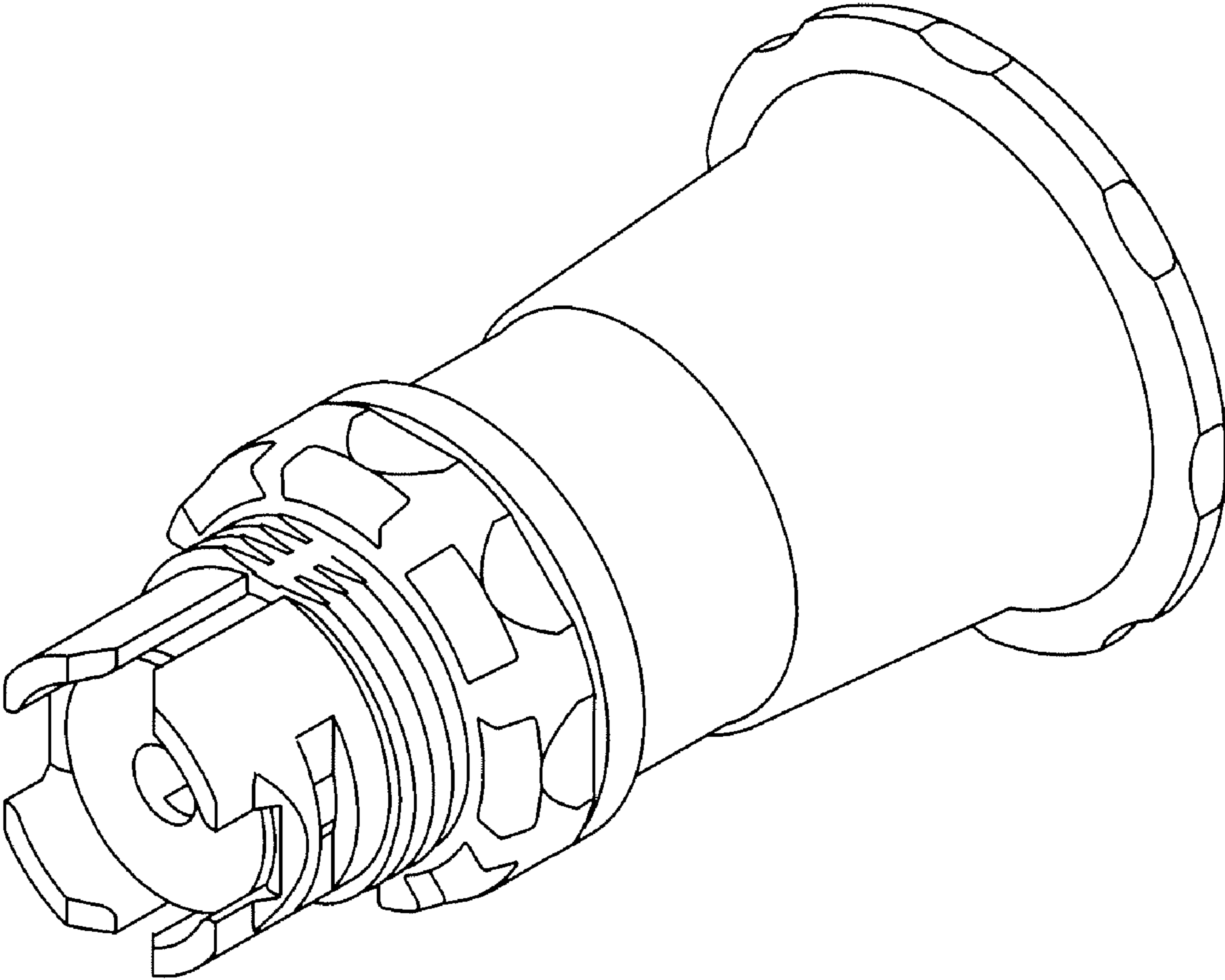


Fig. 4

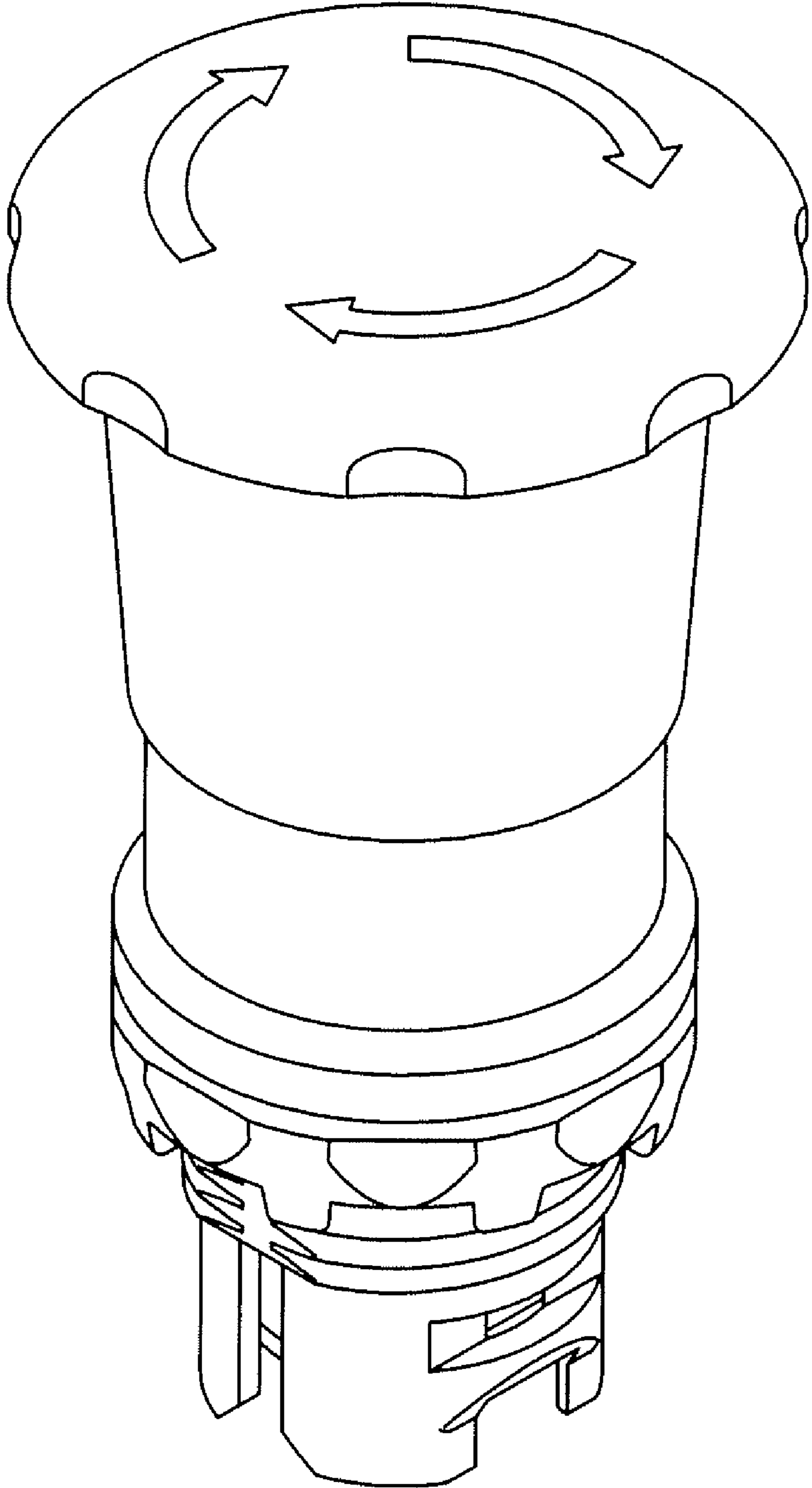


Fig. 5

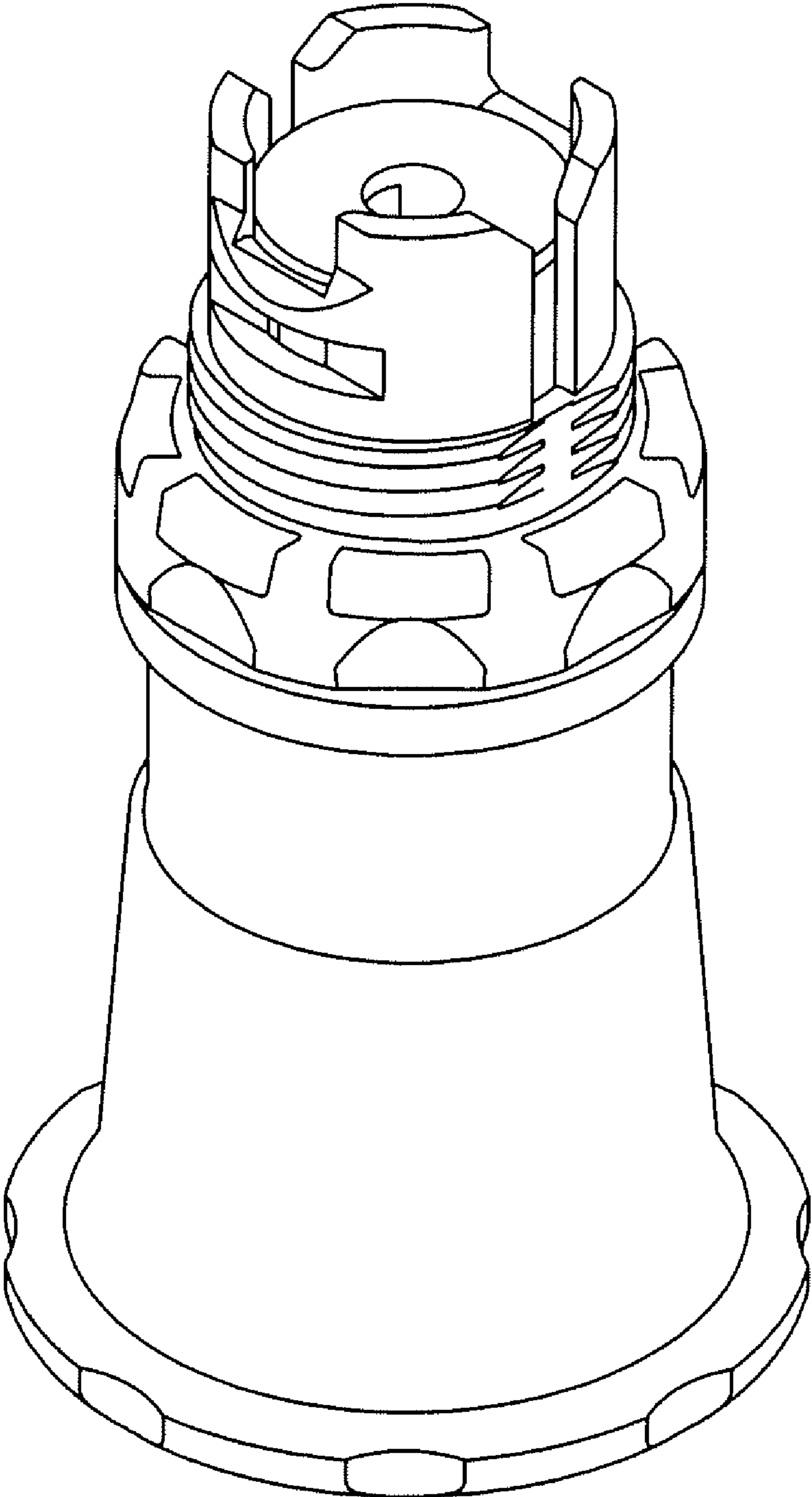


Fig. 6

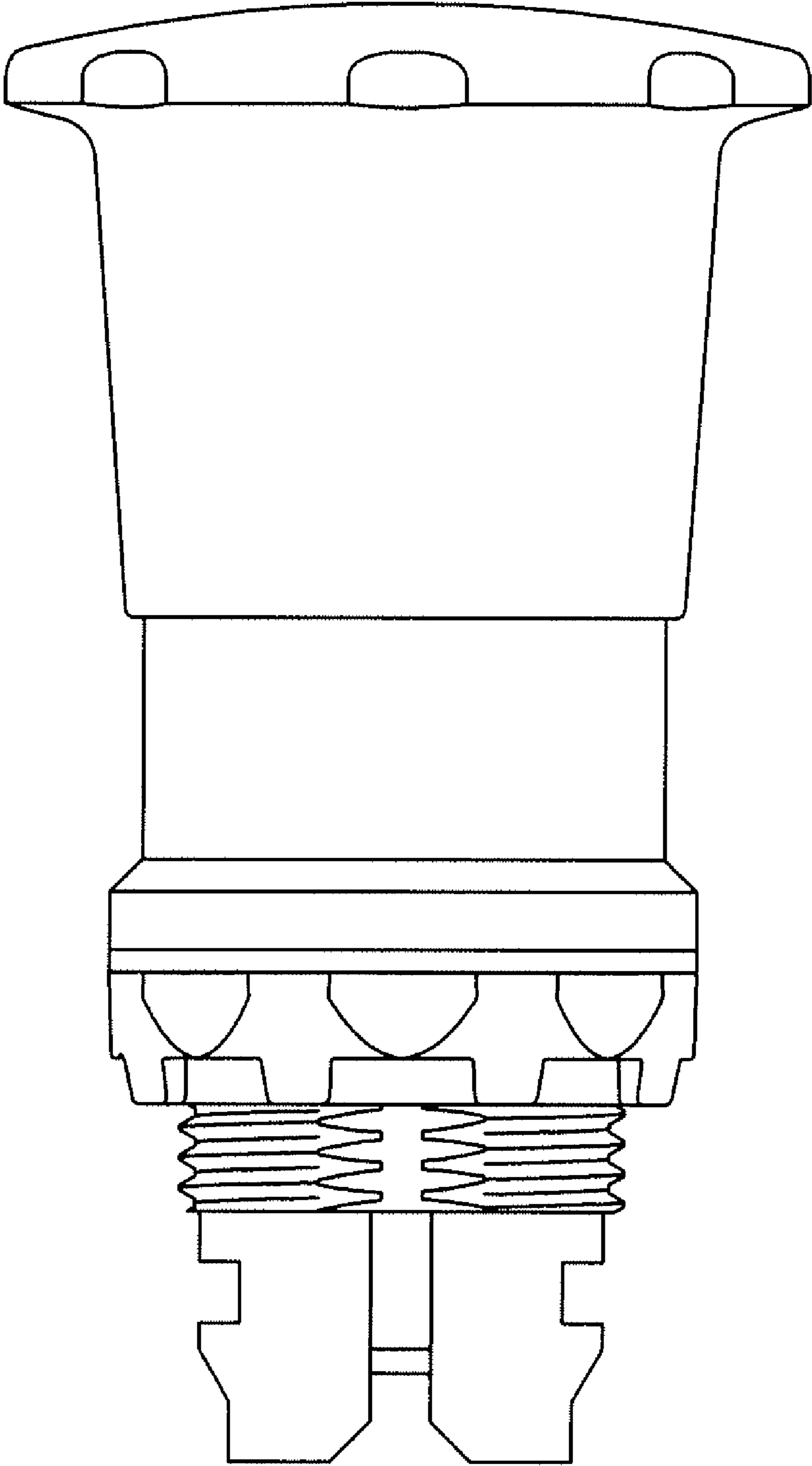


Fig. 7

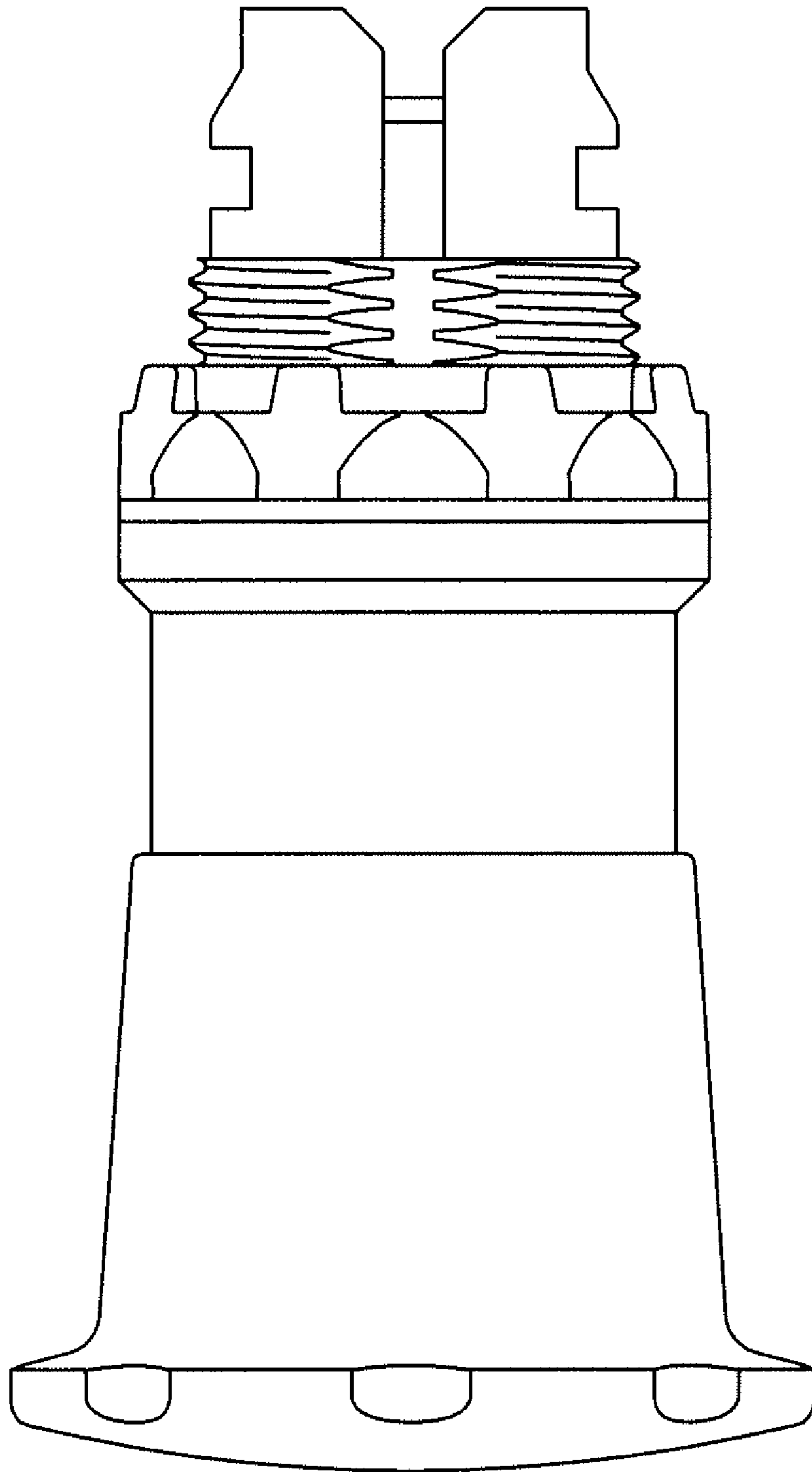


Fig. 8

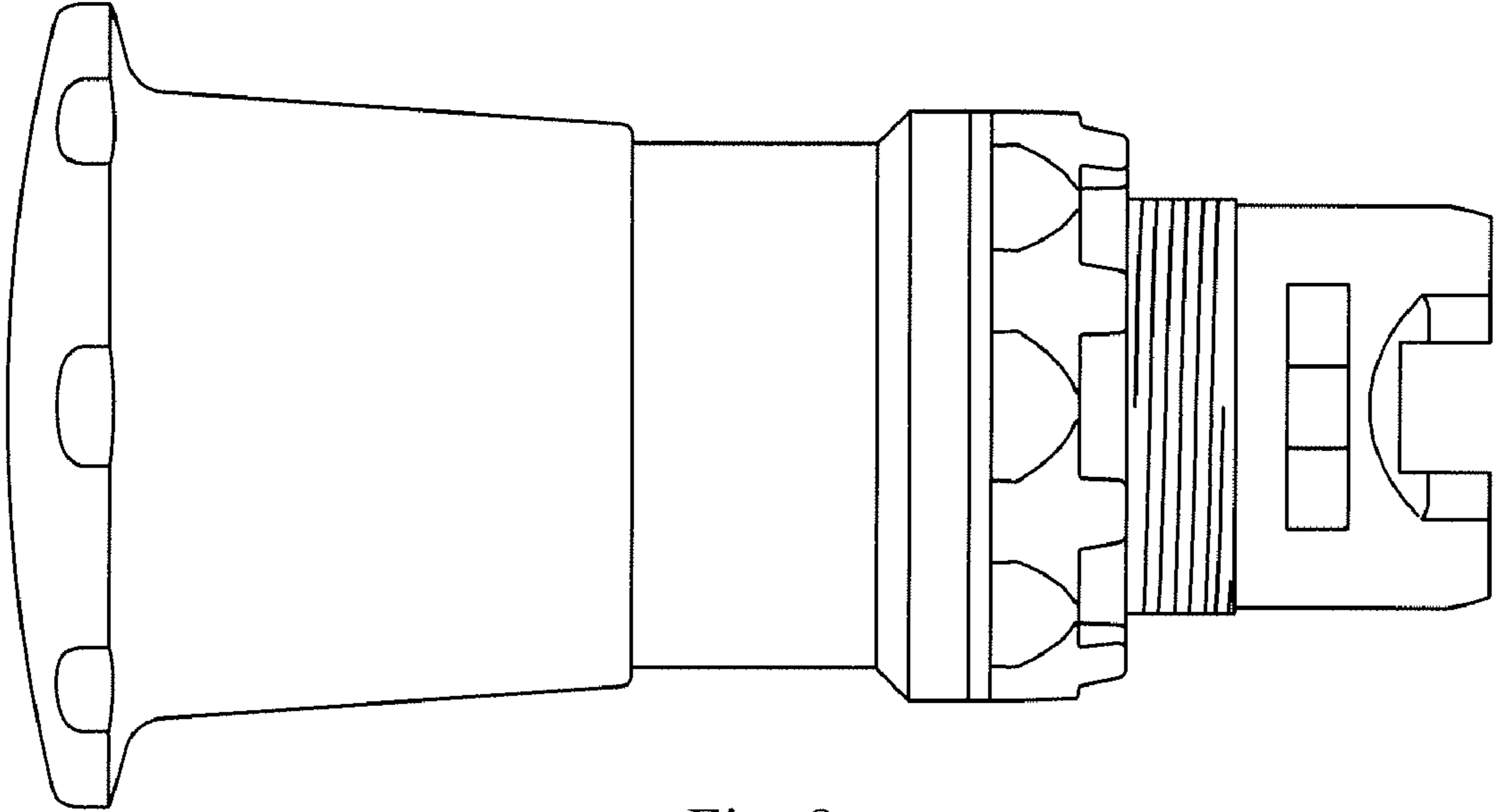


Fig. 9

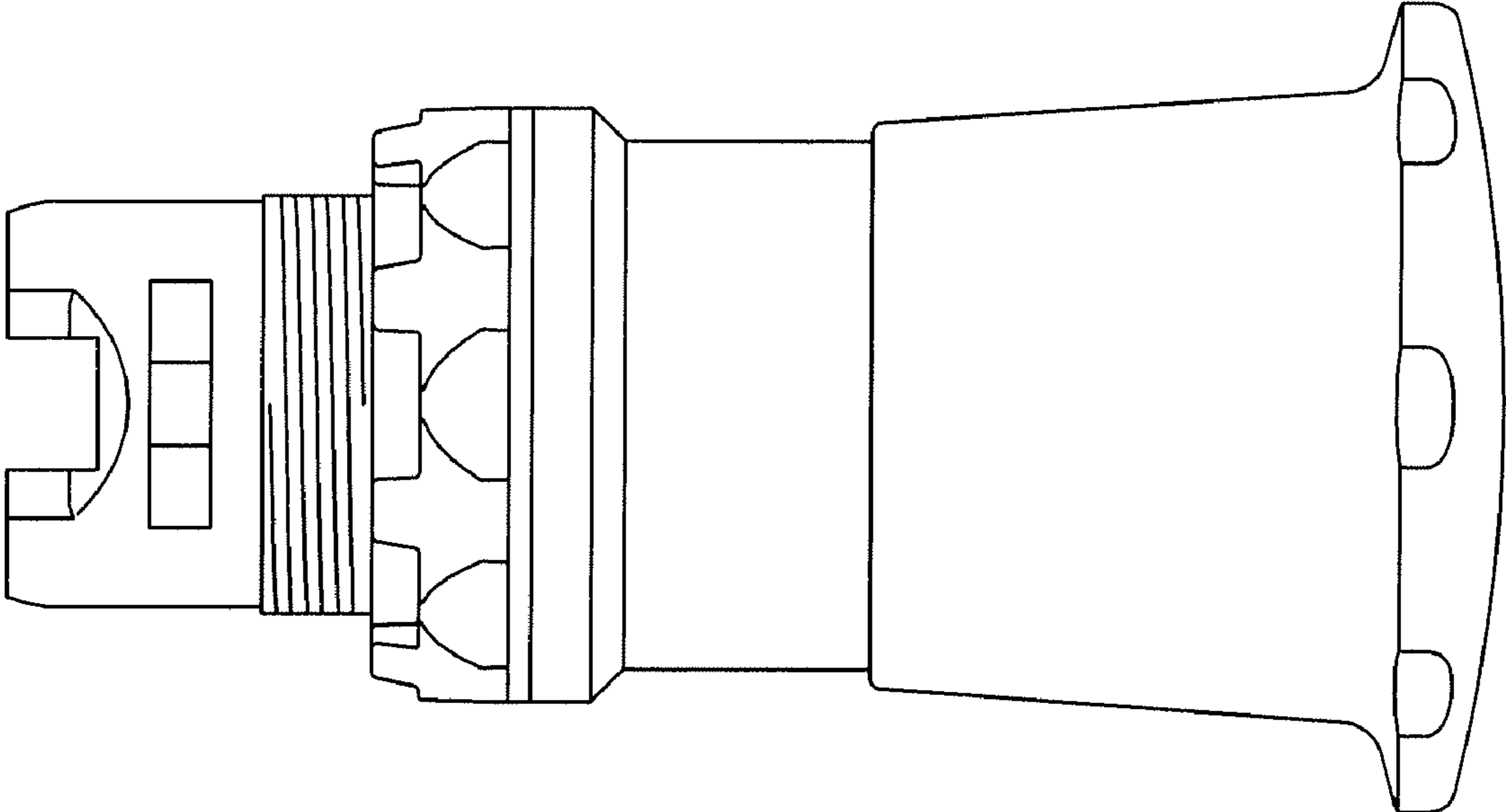


Fig. 10

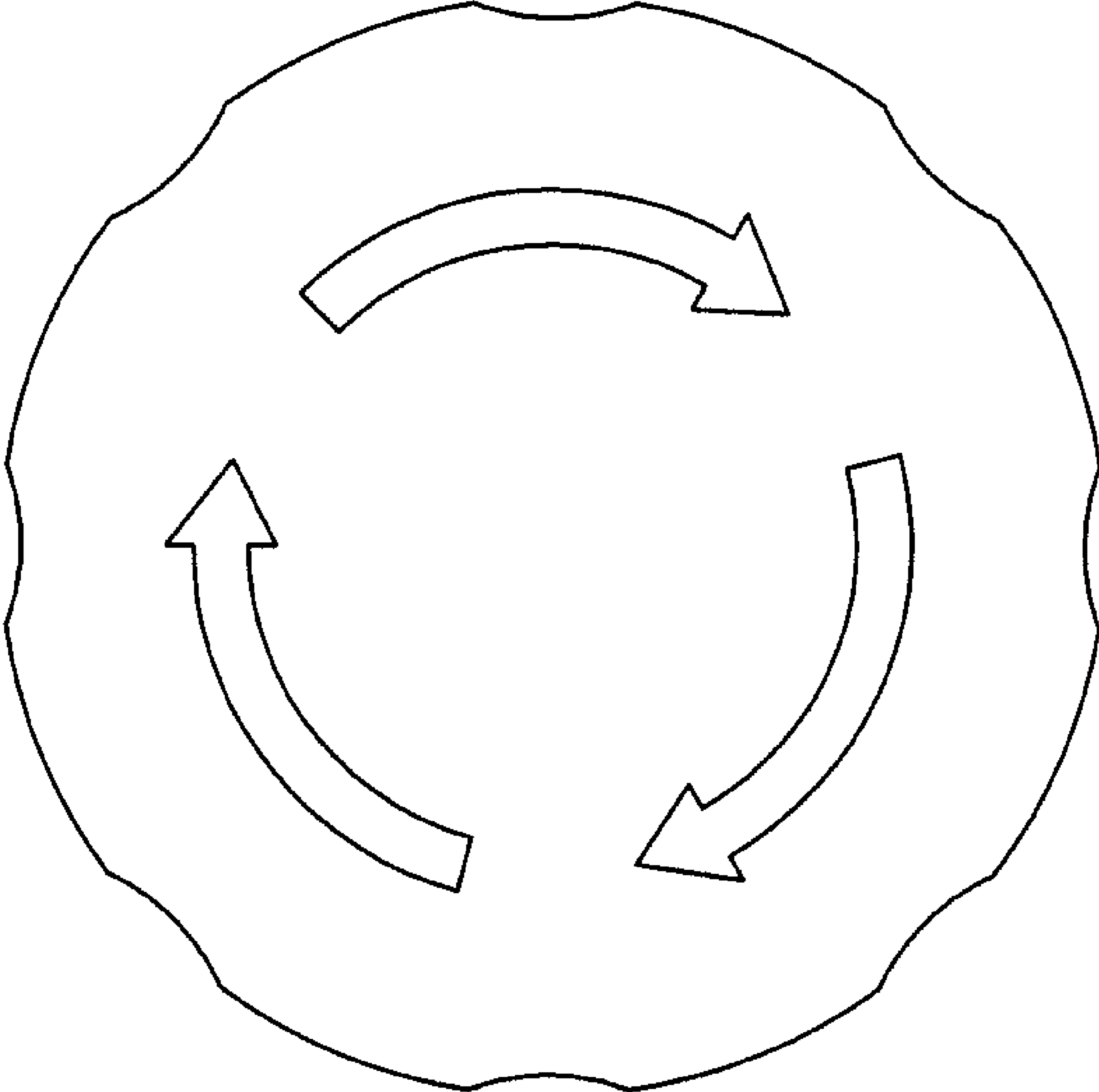


Fig. 11

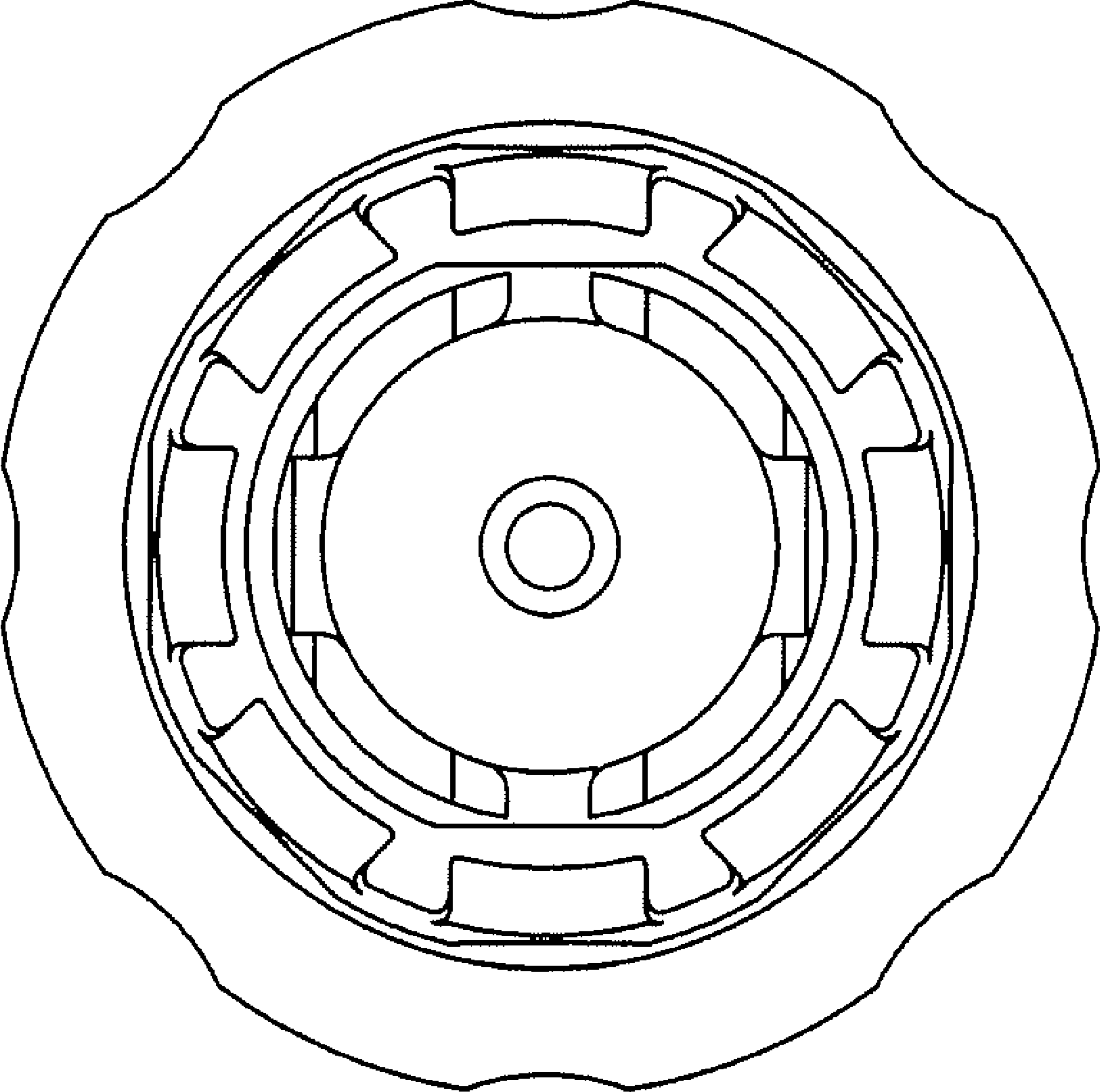


Fig. 12