



US00D601099S

(12) **United States Design Patent**
Lee

(10) **Patent No.:** **US D601,099 S**
(45) **Date of Patent:** **** Sep. 29, 2009**

(54) **PATCH PLUG**

(75) Inventor: **Scott David Lee**, Terrigal (AU)

(73) Assignee: **ADC GmbH**, Berlin (DE)

(**) Term: **14 Years**

(21) Appl. No.: **29/291,554**

(22) Filed: **Sep. 5, 2007**

(30) **Foreign Application Priority Data**

Mar. 30, 2007 (AU) 17232/2007

(51) **LOC (9) Cl.** **13-03**

(52) **U.S. Cl.** **D13/164**

(58) **Field of Classification Search** D13/133,
D13/146-147, 151, 154, 164; 439/404, 405,
439/608, 731

See application file for complete search history.

(56) **References Cited**

U.S. PATENT DOCUMENTS

D417,863 S * 12/1999 Casper et al. D13/147
D418,478 S * 1/2000 Lin D13/146
6,010,353 A * 1/2000 Ensz et al. 439/404
D421,963 S * 3/2000 Lin D13/146
6,761,589 B2 * 7/2004 Venditti et al. 439/596
6,923,672 B1 * 8/2005 Chen 439/404

7,125,284 B2 * 10/2006 Ripper et al. 439/596

FOREIGN PATENT DOCUMENTS

AU 2003254359 3/2004
WO WO 2004/010536 1/2004

OTHER PUBLICATIONS

U.S. Appl. No. 29/291,548, filed Sep. 5, 2007.

* cited by examiner

Primary Examiner—Nanda Bondade

(74) *Attorney, Agent, or Firm*—Merchant & Gould P.C.

(57) **CLAIM**

The ornamental design for the patch plug, as shown and described.

DESCRIPTION

FIG. 1 is a side view of a patch plug showing my design;
FIG. 2 is a front view thereof;
FIG. 3 is another side view thereof;
FIG. 4 is a back view thereof;
FIG. 5 is a top view thereof;
FIG. 6 is a bottom view thereof;
FIG. 7 is a perspective view of the top side thereof; and,
FIG. 8 is a perspective view of the bottom side thereof.

1 Claim, 7 Drawing Sheets

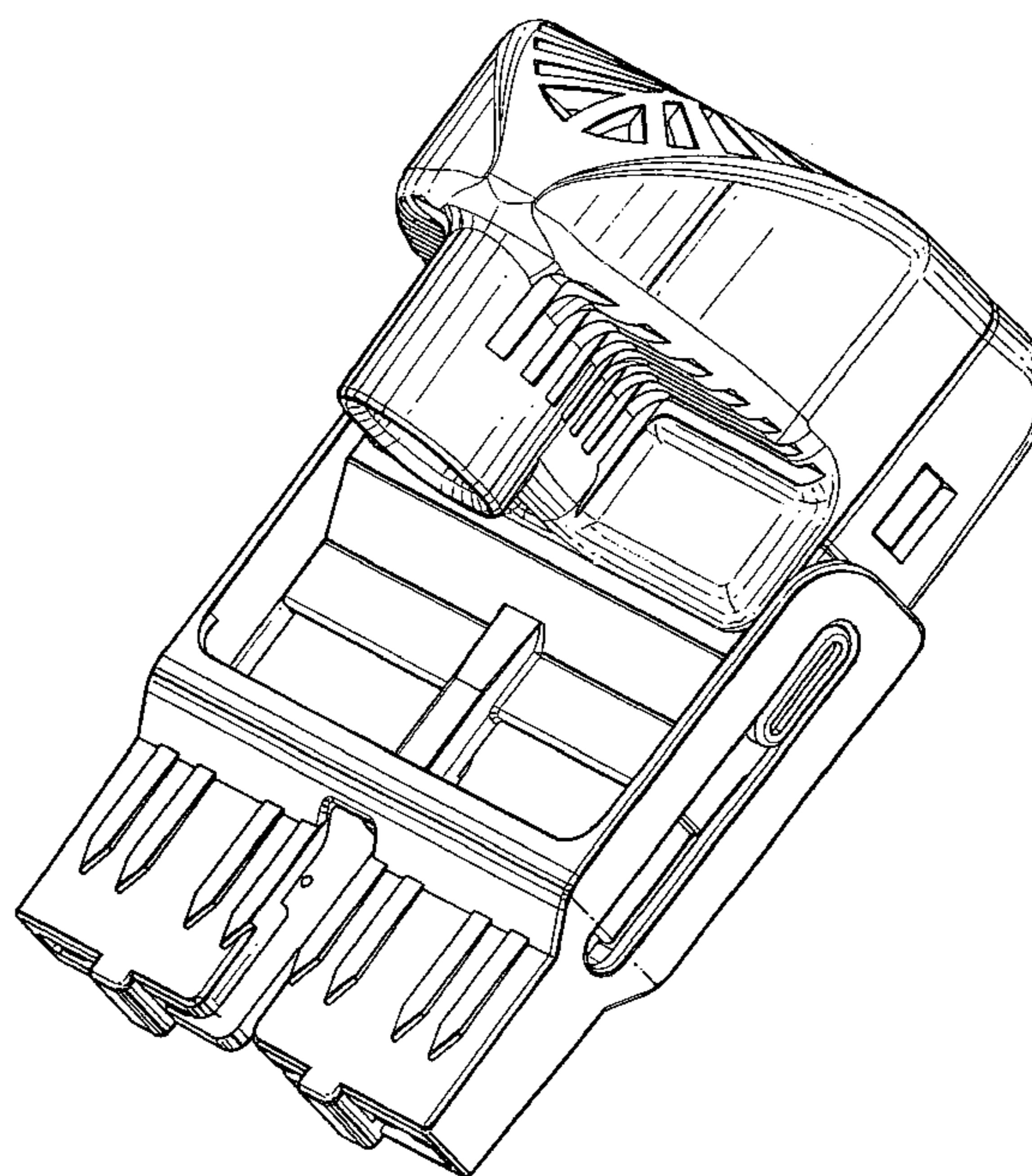
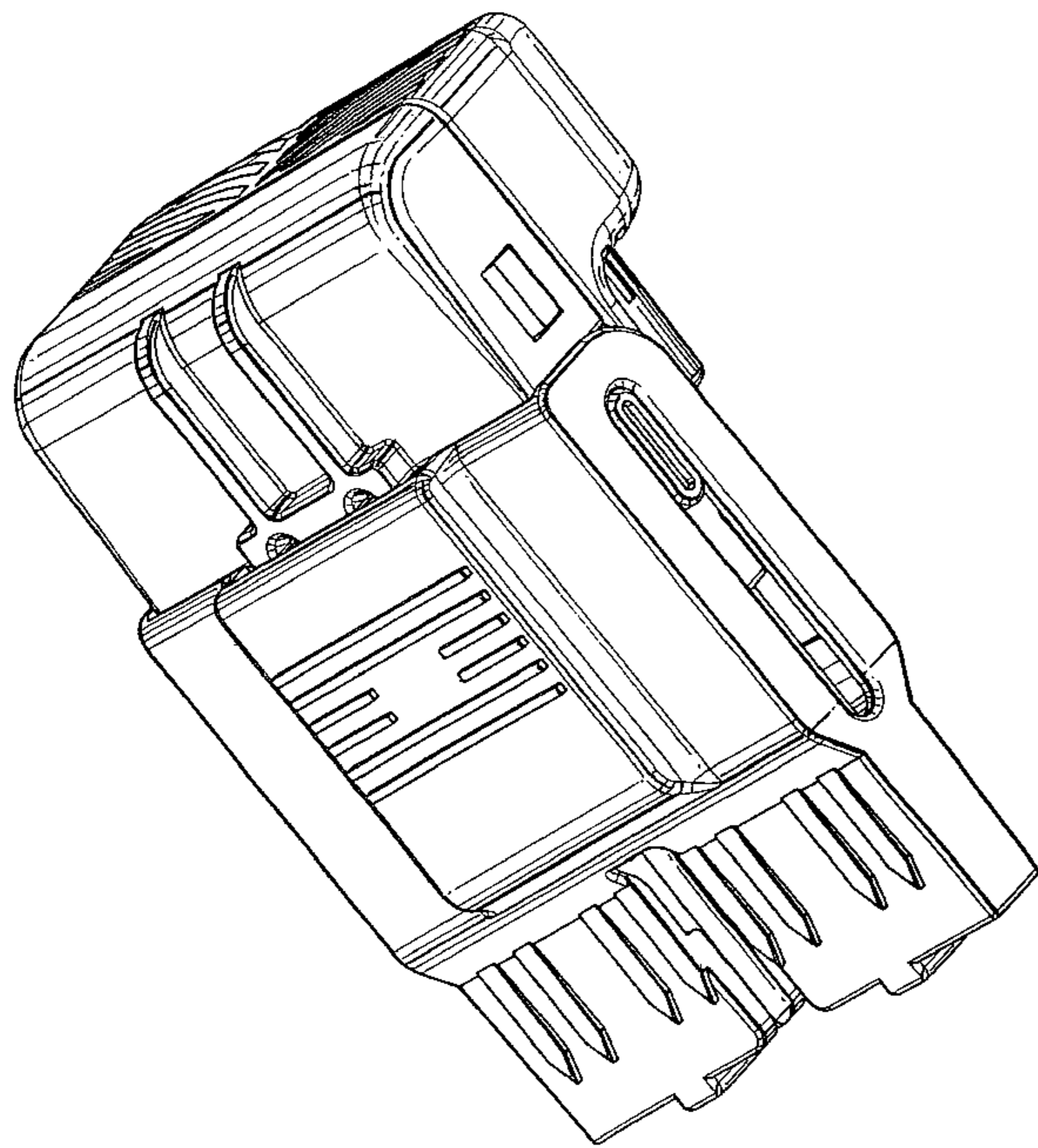


FIG. 1

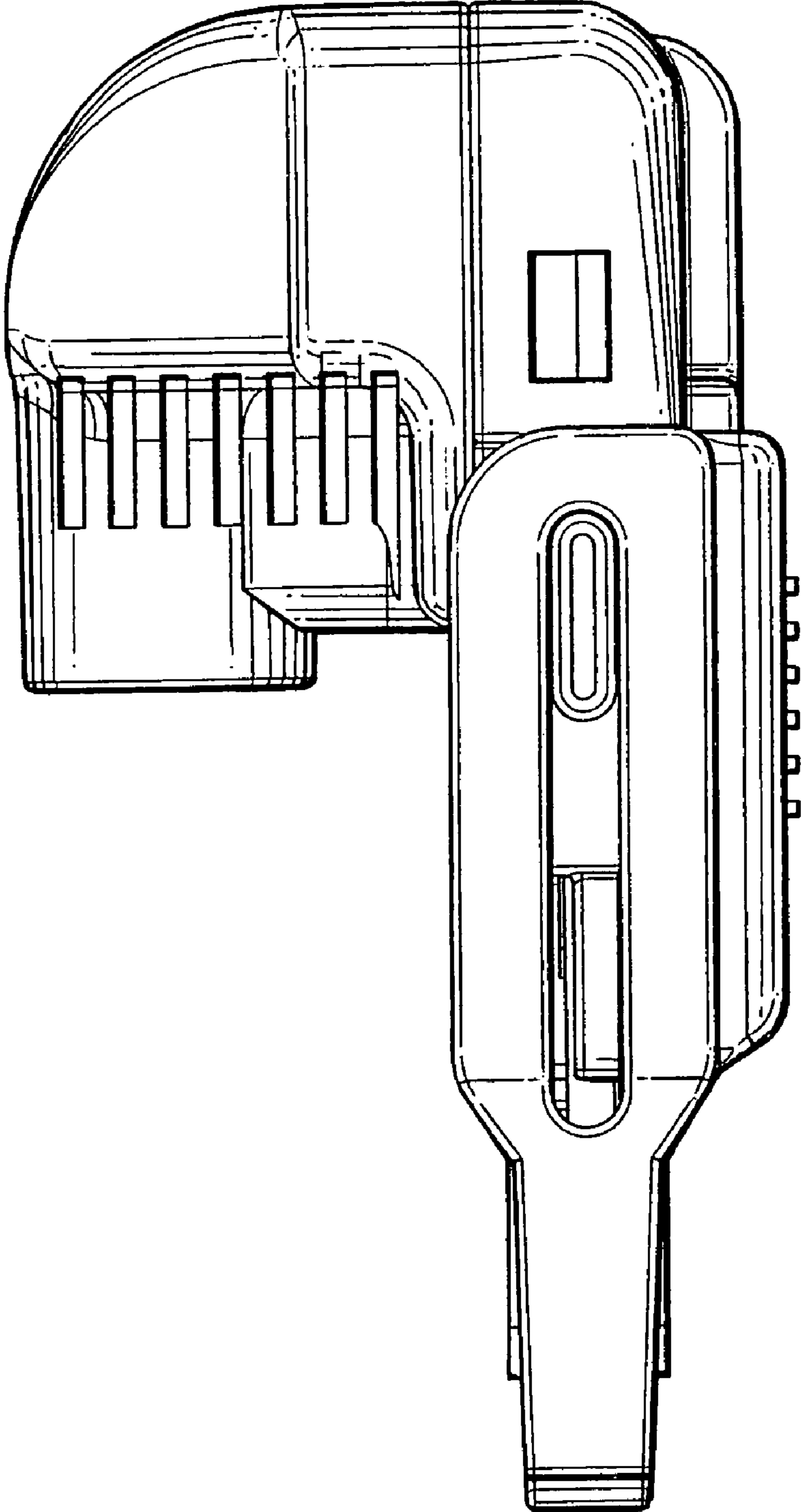


FIG. 2

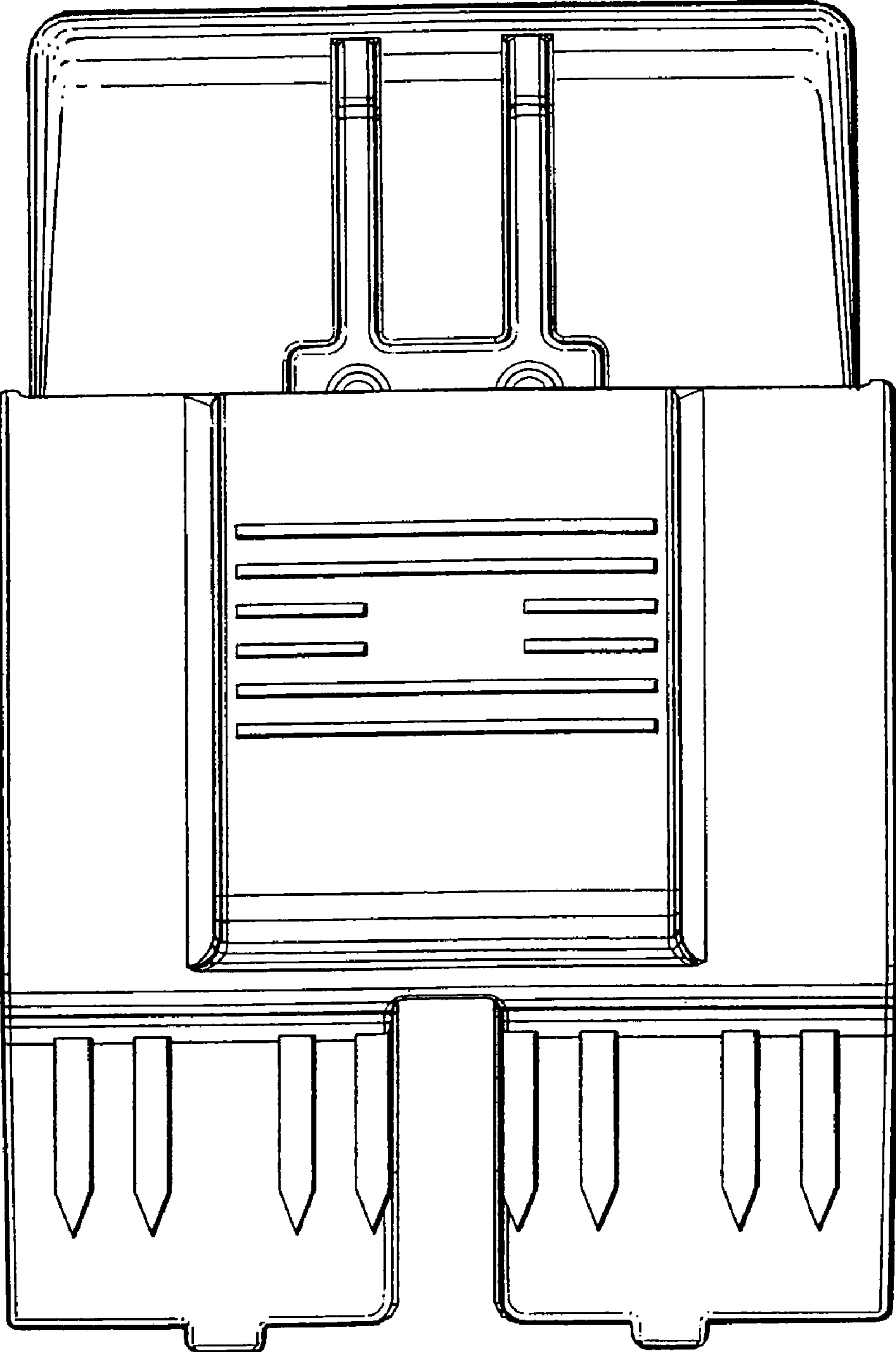


FIG. 3

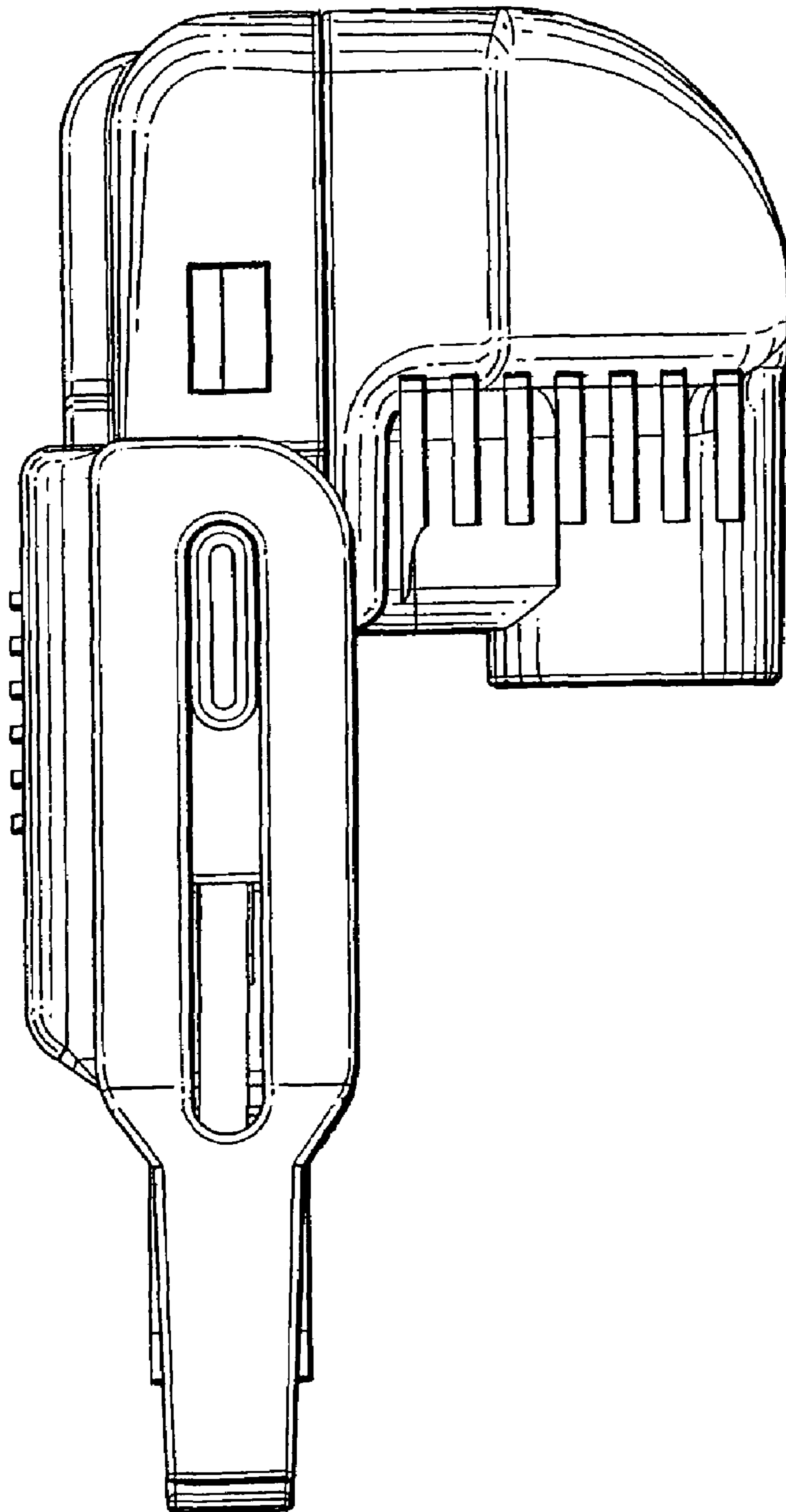


FIG. 4

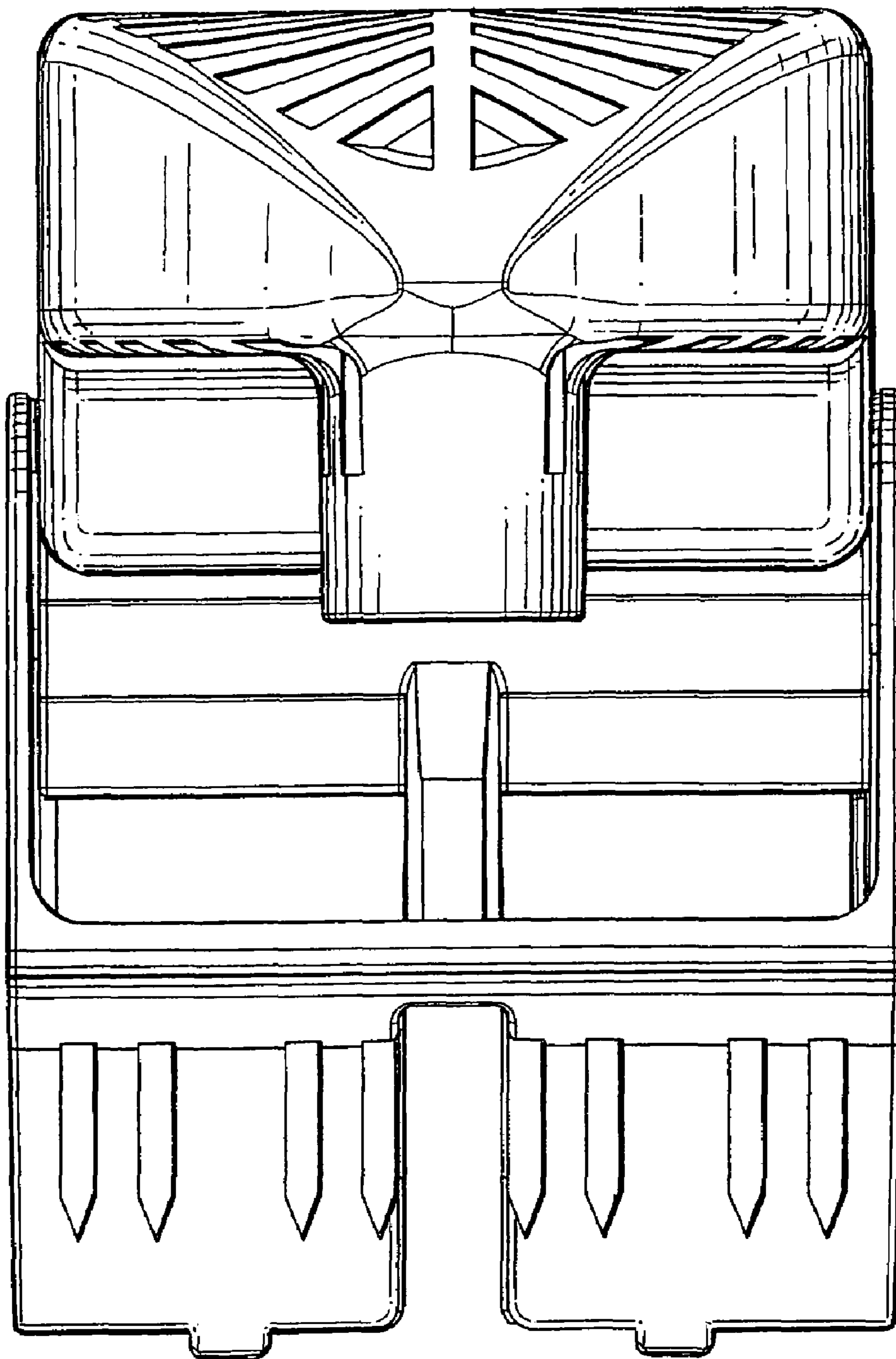


FIG.5

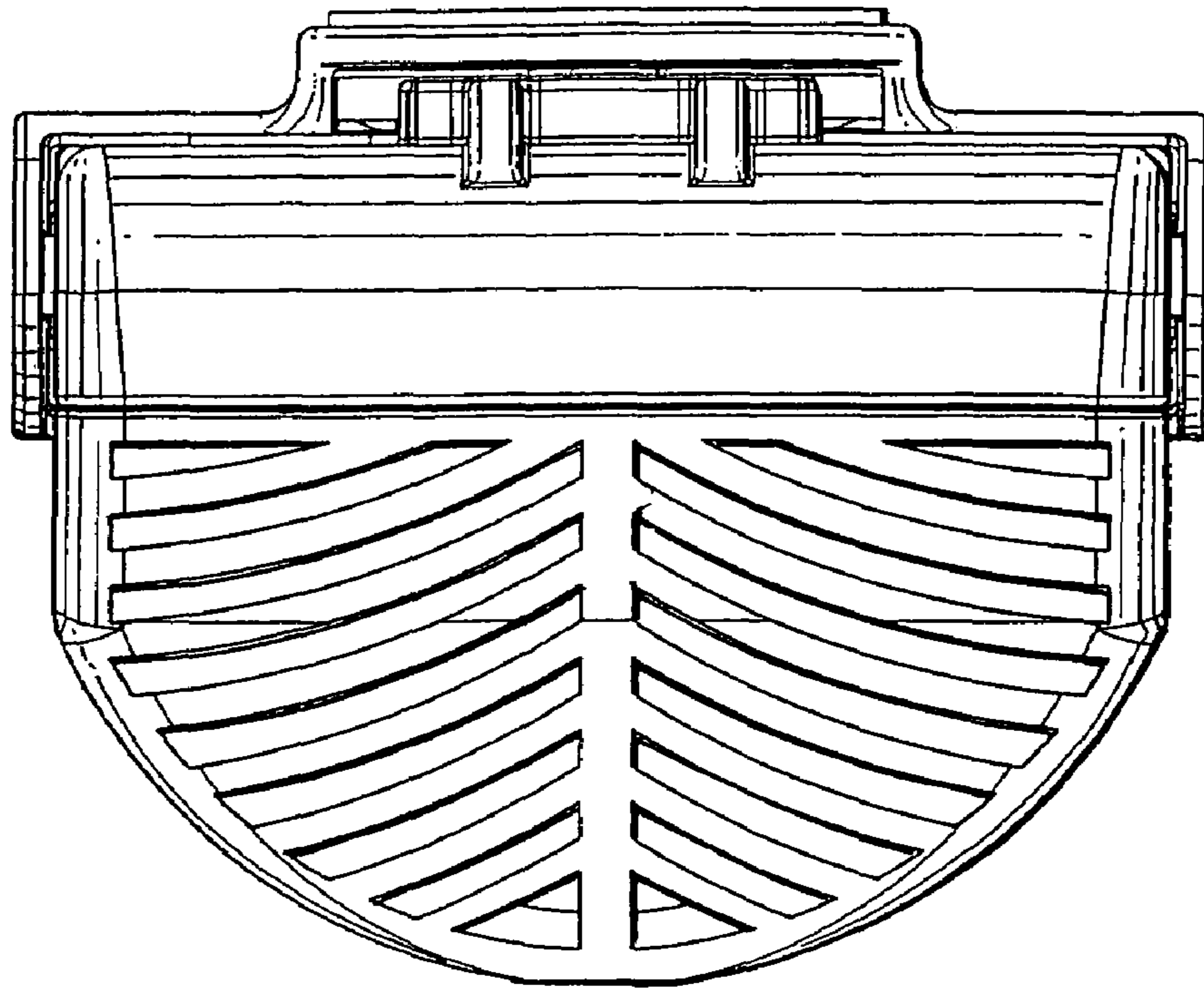


FIG.6

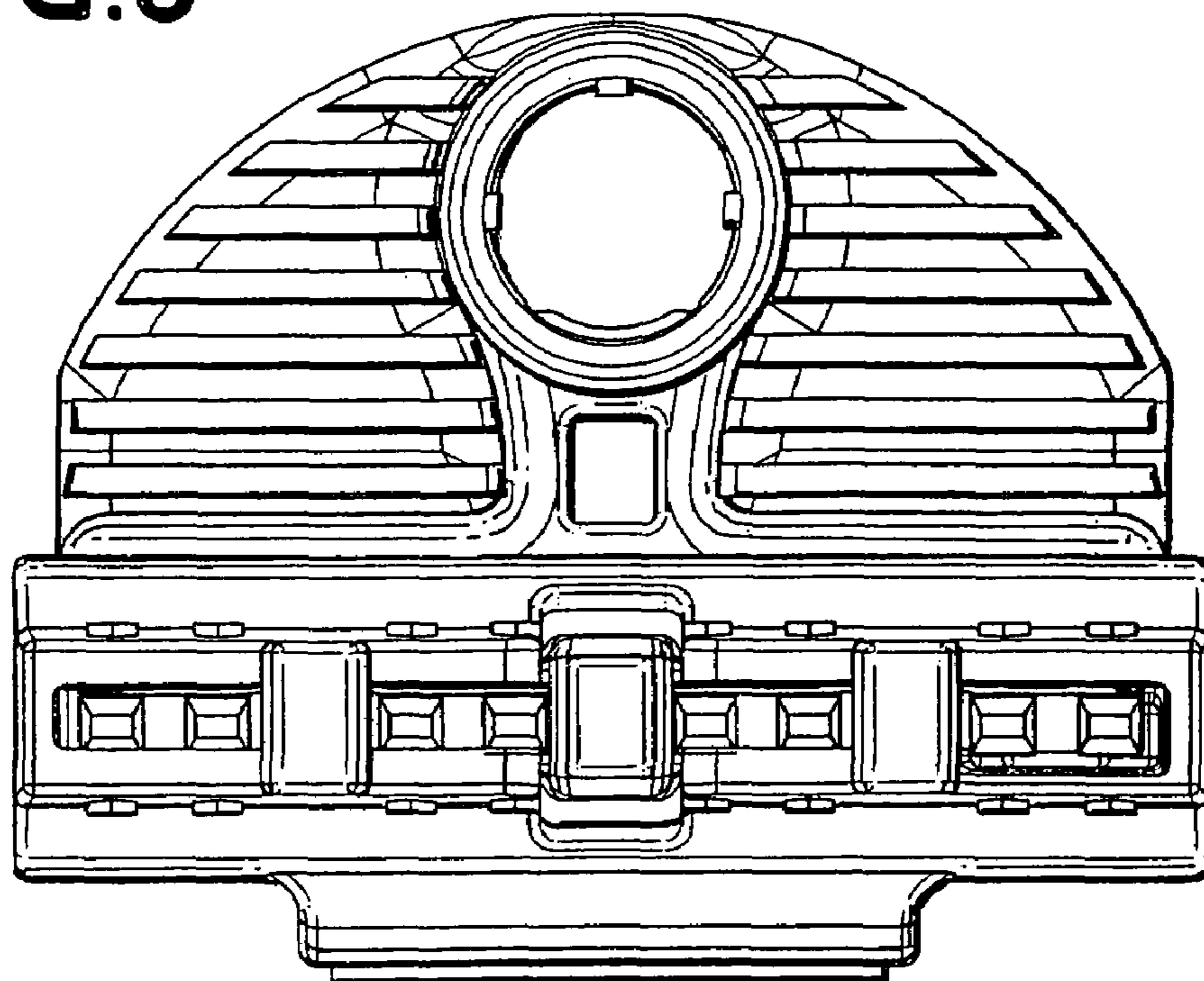


FIG.7

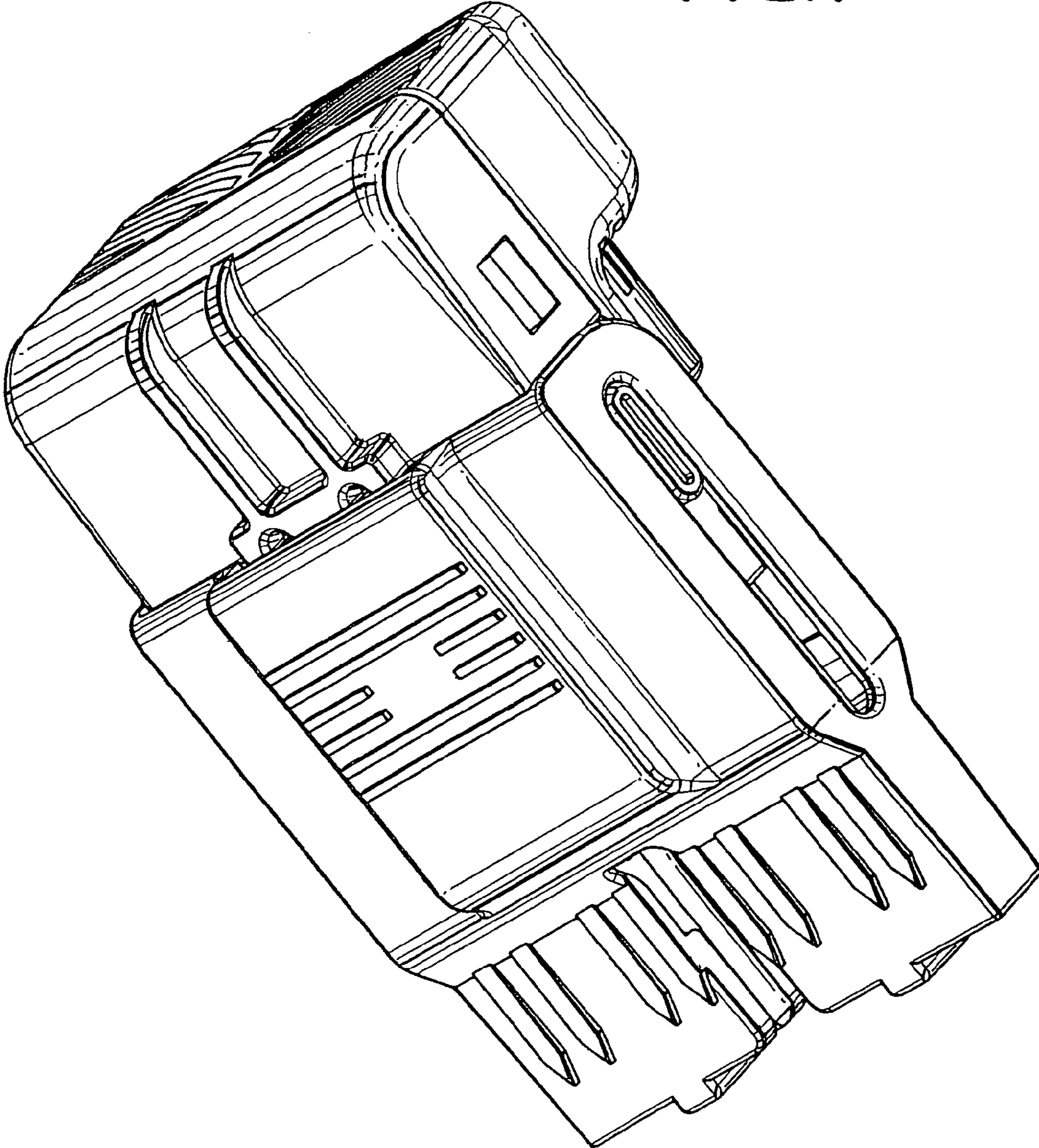
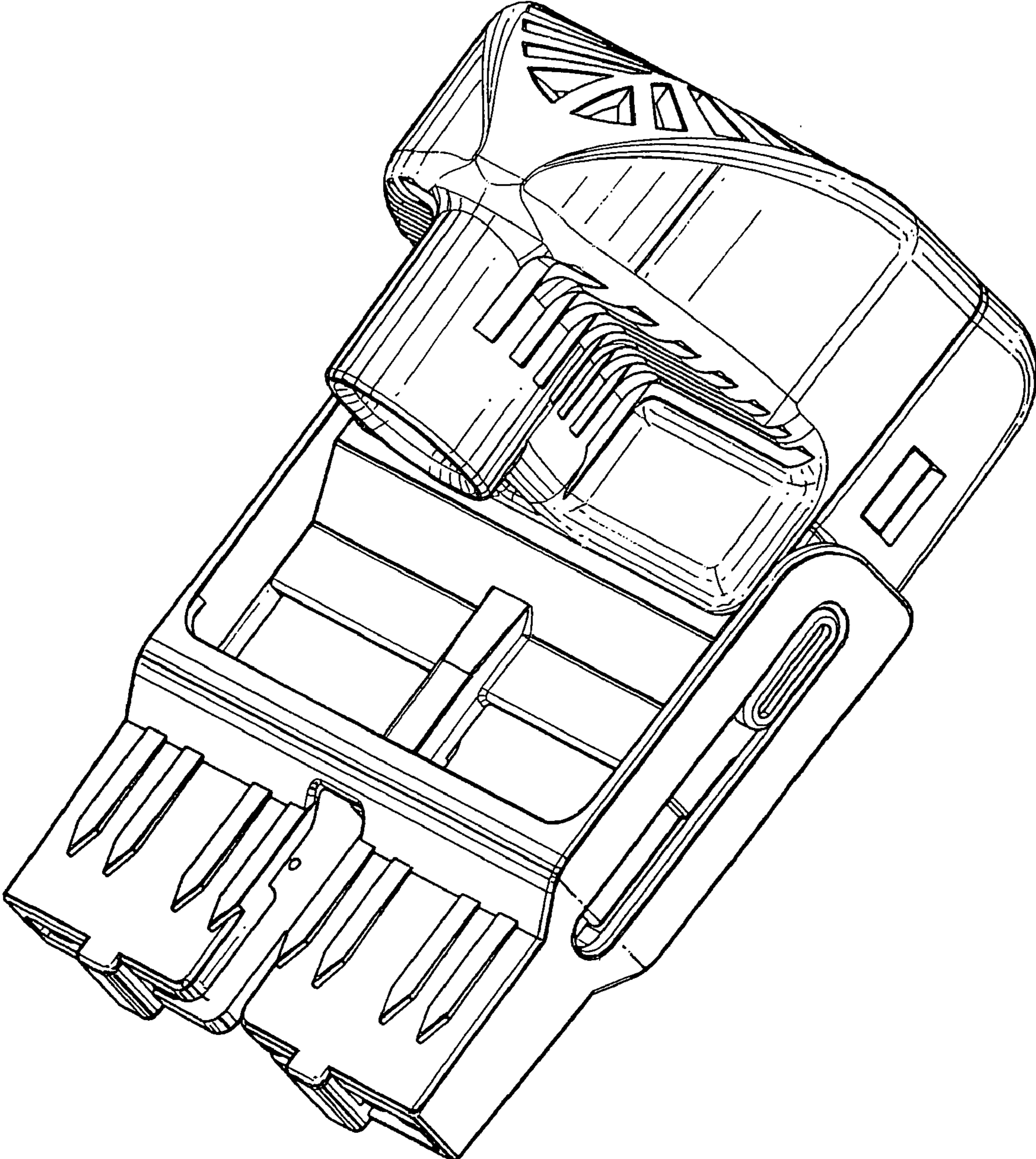


FIG. 8



UNITED STATES PATENT AND TRADEMARK OFFICE
CERTIFICATE OF CORRECTION

PATENT NO. : Des. 601,099 S
APPLICATION NO. : 29/291554
DATED : September 29, 2009
INVENTOR(S) : Scott D. Lee

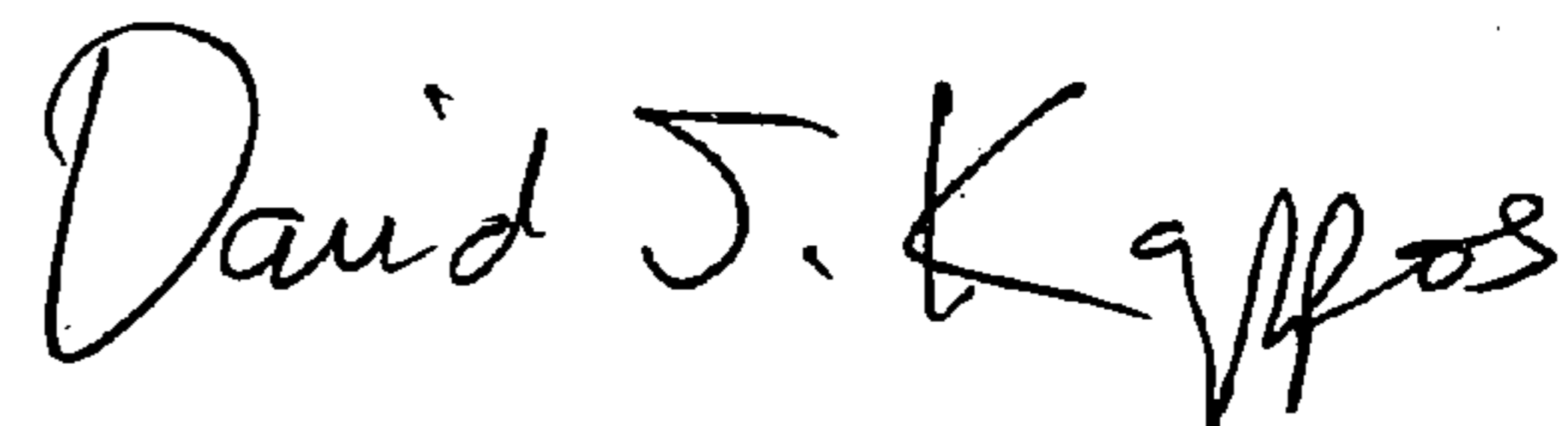
Page 1 of 1

It is certified that error appears in the above-identified patent and that said Letters Patent is hereby corrected as shown below:

On the title page, item [30] Foreign Application Priority Data: "17232/2007" should read
--17231/2007--

Signed and Sealed this

Eleventh Day of May, 2010

A handwritten signature in black ink that reads "David J. Kappos". The signature is written in a cursive, flowing style.

David J. Kappos
Director of the United States Patent and Trademark Office