



US00D601098S

(12) **United States Design Patent**  
**Phelps**

(10) **Patent No.:** **US D601,098 S**

(45) **Date of Patent:** **\*\* Sep. 29, 2009**

(54) **CLOSURE FOR ELECTRICAL CORD**

D496,000 S \* 9/2004 Cornell ..... D13/156  
D499,330 S \* 12/2004 Peato ..... D13/156

(75) Inventor: **John D. Phelps**, Largo, FL (US)

\* cited by examiner

(73) Assignee: **Technology Research Corporation**,  
Clearwater, FL (US)

*Primary Examiner*—Brian N Vinson

(74) *Attorney, Agent, or Firm*—Frijouf, Ruist & Pyle, P.A.

(\*\*) Term: **14 Years**

(57) **CLAIM**

(21) Appl. No.: **29/310,703**

The ornamental design for a closure for electrical cord, as shown and described.

(22) Filed: **Sep. 5, 2008**

**Related U.S. Application Data**

(63) Continuation-in-part of application No. 29/292,896,  
filed on Oct. 31, 2007, now Pat. No. Des. 576,110.

(51) **LOC (9) Cl.** ..... **13-03**

(52) **U.S. Cl.** ..... **D13/156**

(58) **Field of Classification Search** ..... D13/152,  
D13/154, 156, 177; 174/50; 439/367-369,  
439/371

See application file for complete search history.

(56) **References Cited**

**U.S. PATENT DOCUMENTS**

D386,149 S \* 11/1997 Malone et al. .... D13/156  
D479,201 S \* 9/2003 Limber et al. .... D13/156  
D486,453 S \* 2/2004 Prior, Jr. .... D13/156

**DESCRIPTION**

FIG. 1 is a front isometric exploded view of my new design for a closure for electrical cord located on opposed sides of an electrical cord shown in phantom;

FIG. 2 is a front isometric view of my new design for the closure for electrical cord;

FIG. 3 is a rear isometric view thereof;

FIG. 4 is a front view thereof;

FIG. 5 is a rear view thereof;

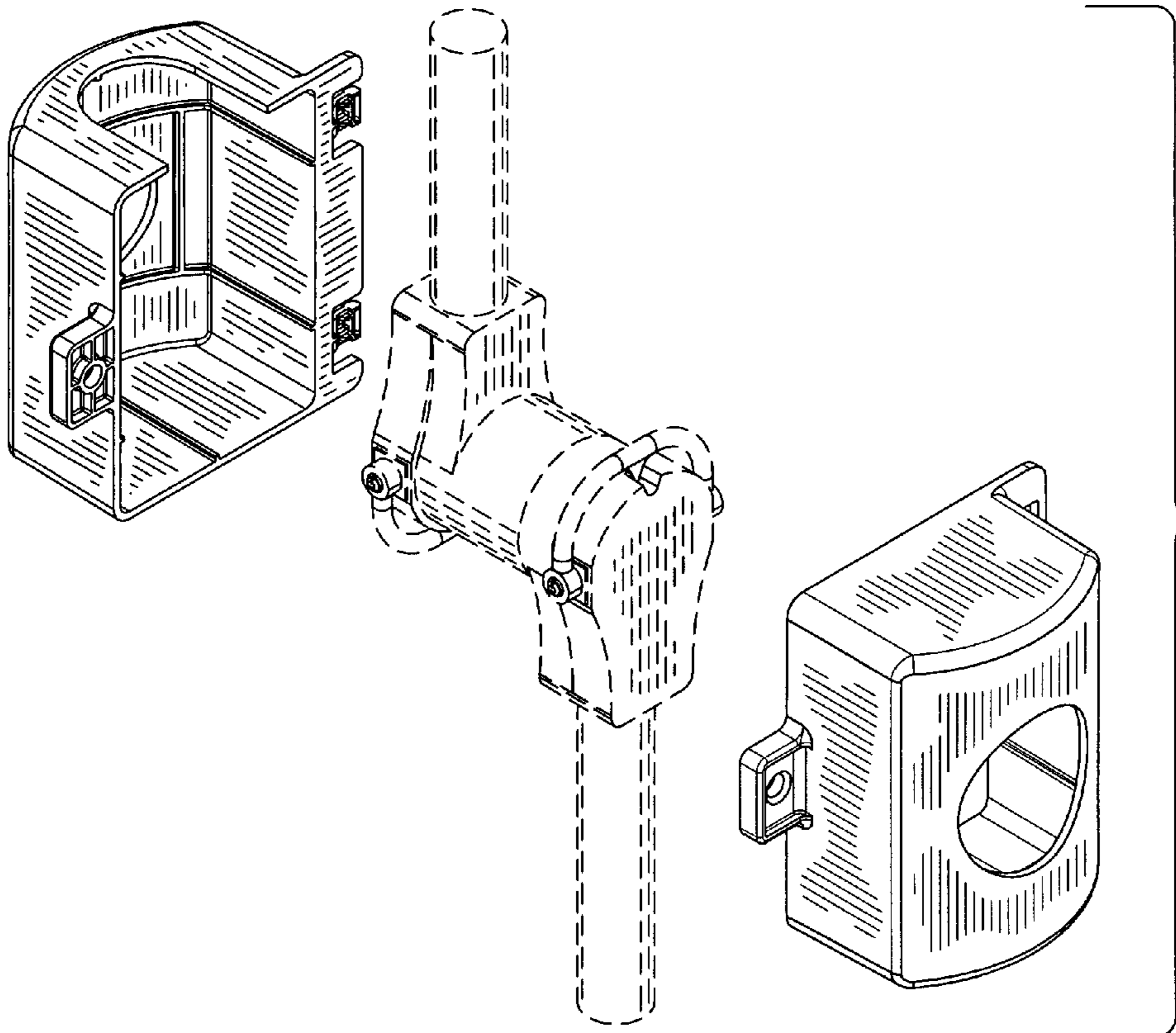
FIG. 6 is a top view thereof

FIG. 7 is a bottom view thereof;

FIG. 8 is a left side view thereof; and,

FIG. 9 is a right side view thereof.

**1 Claim, 5 Drawing Sheets**



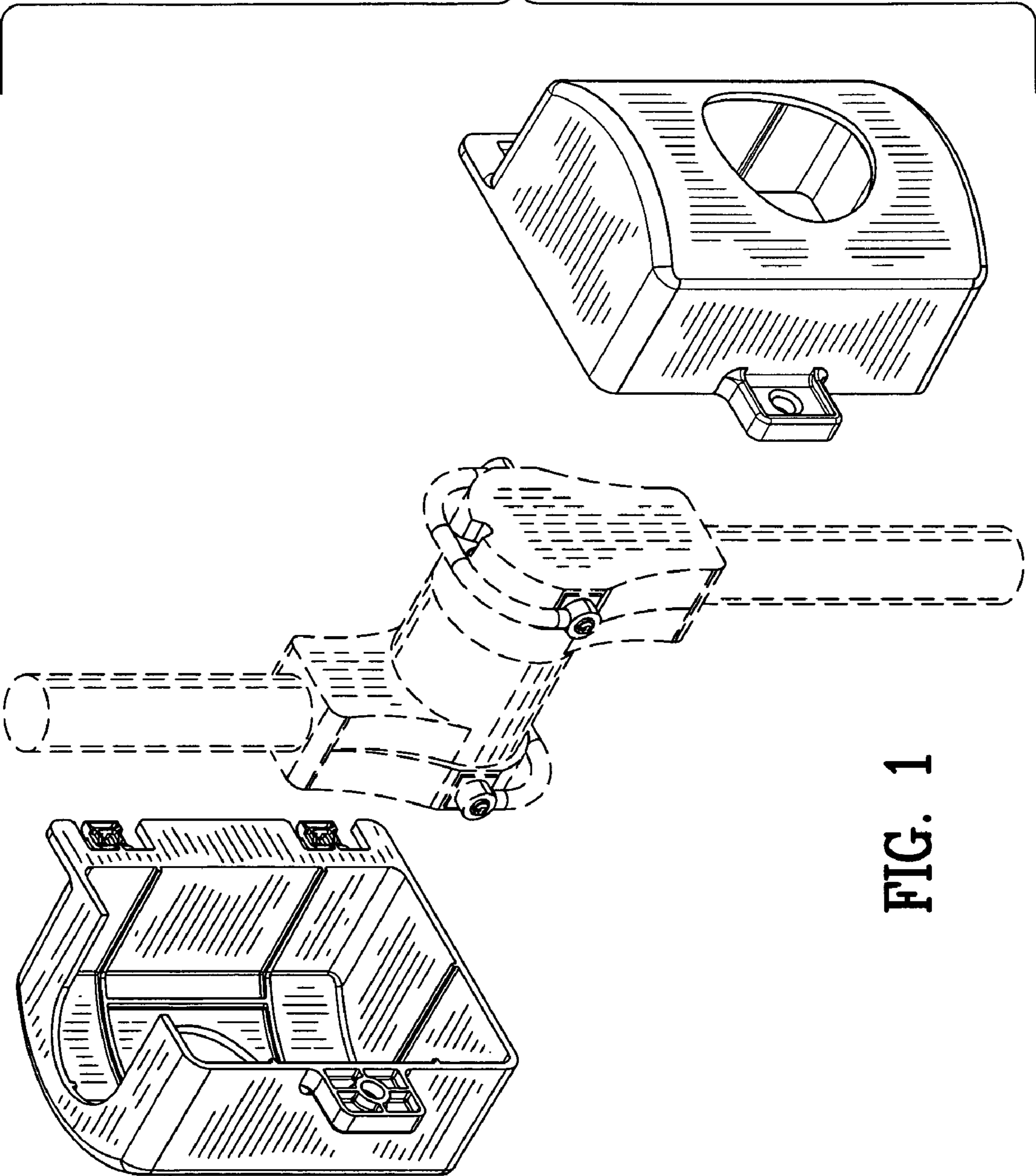
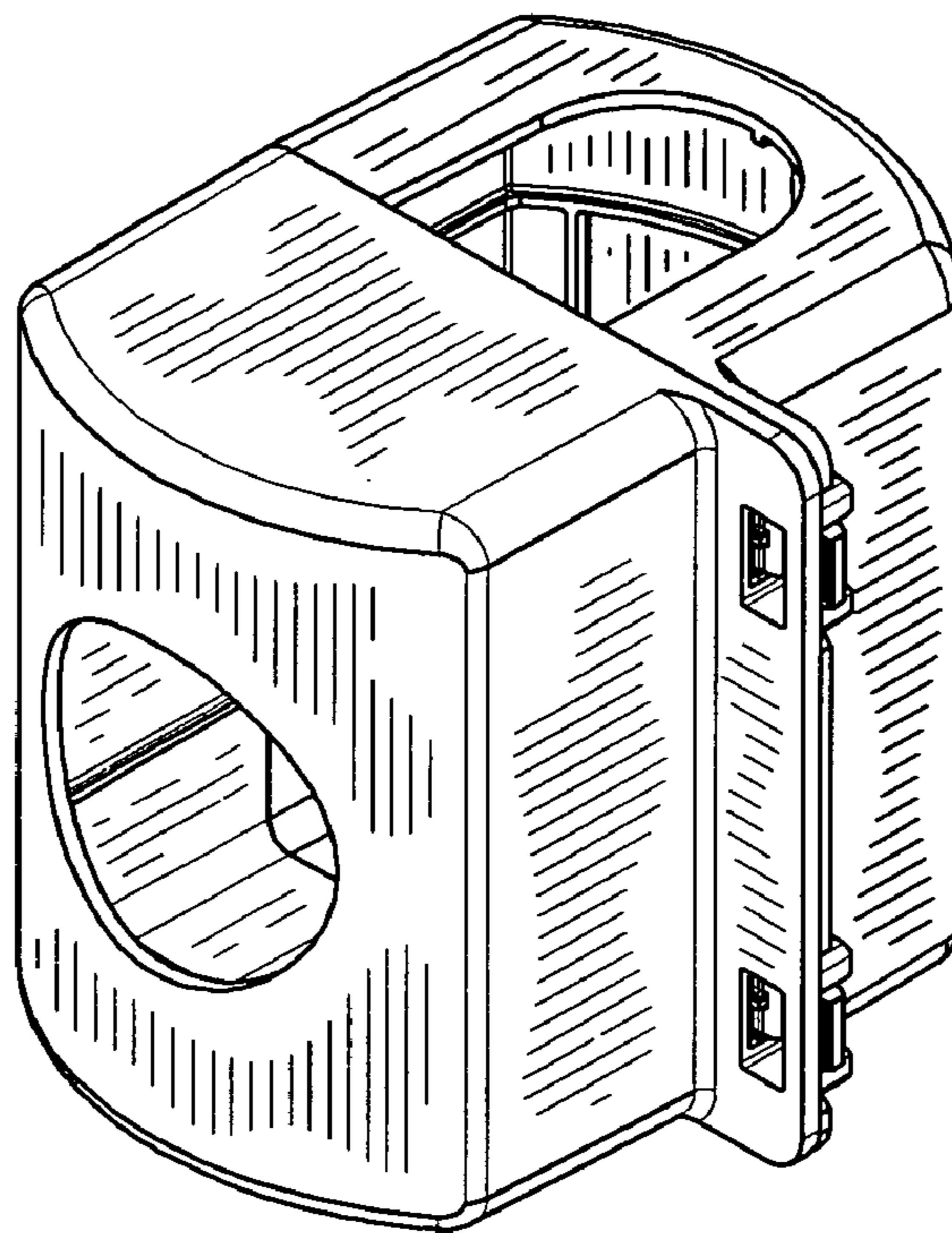
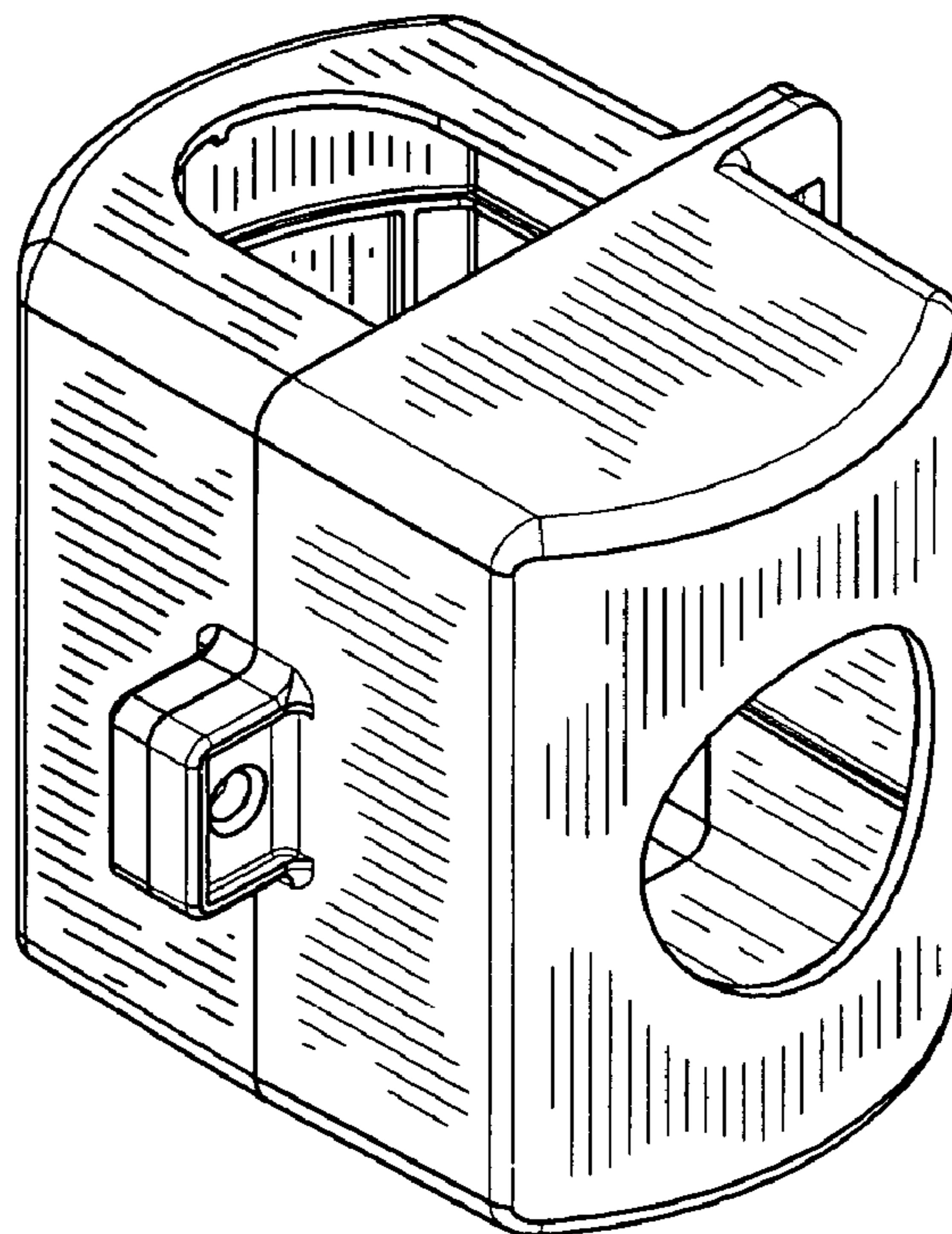


FIG. 1



**FIG. 2**



**FIG. 3**

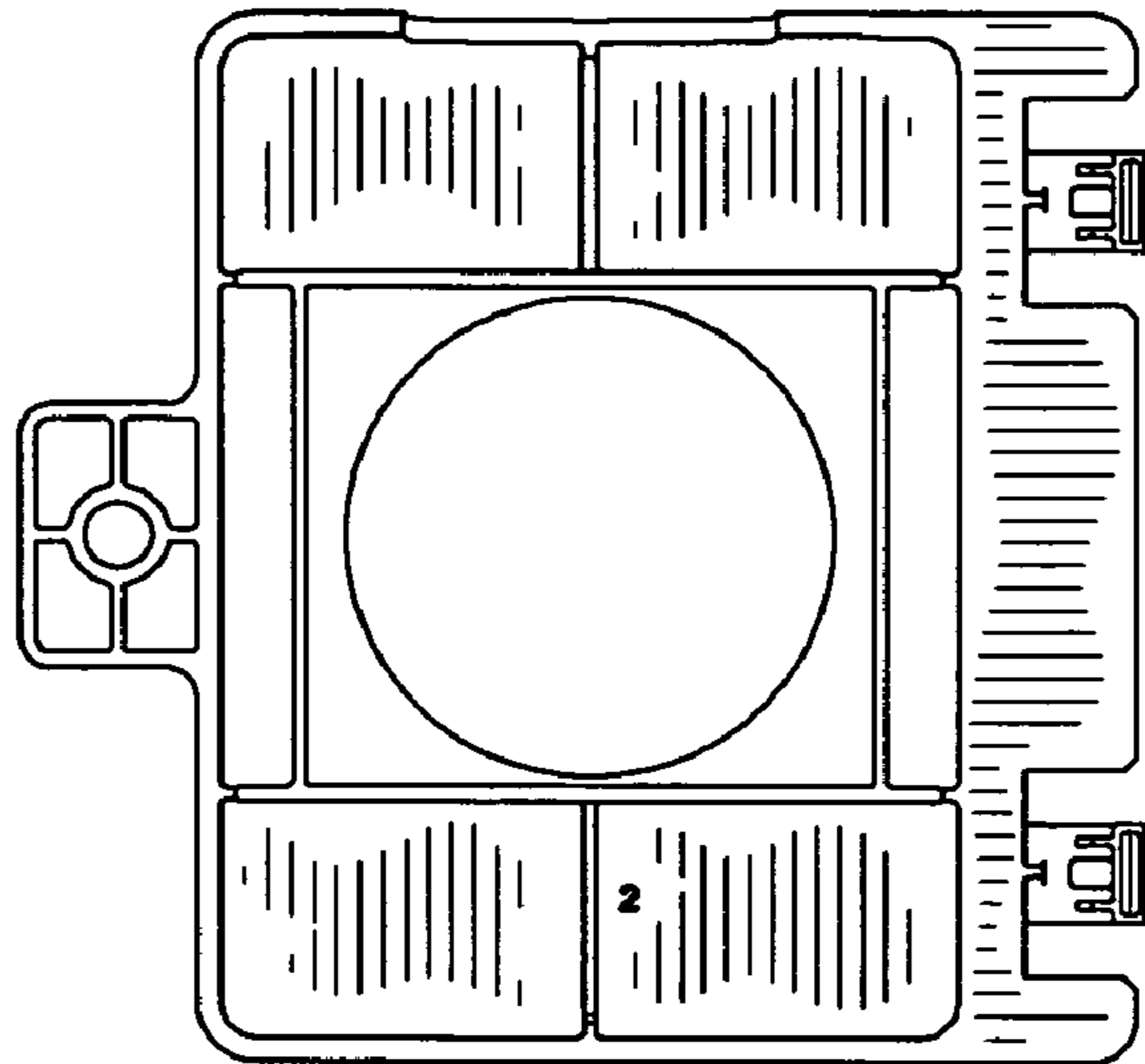


FIG. 4

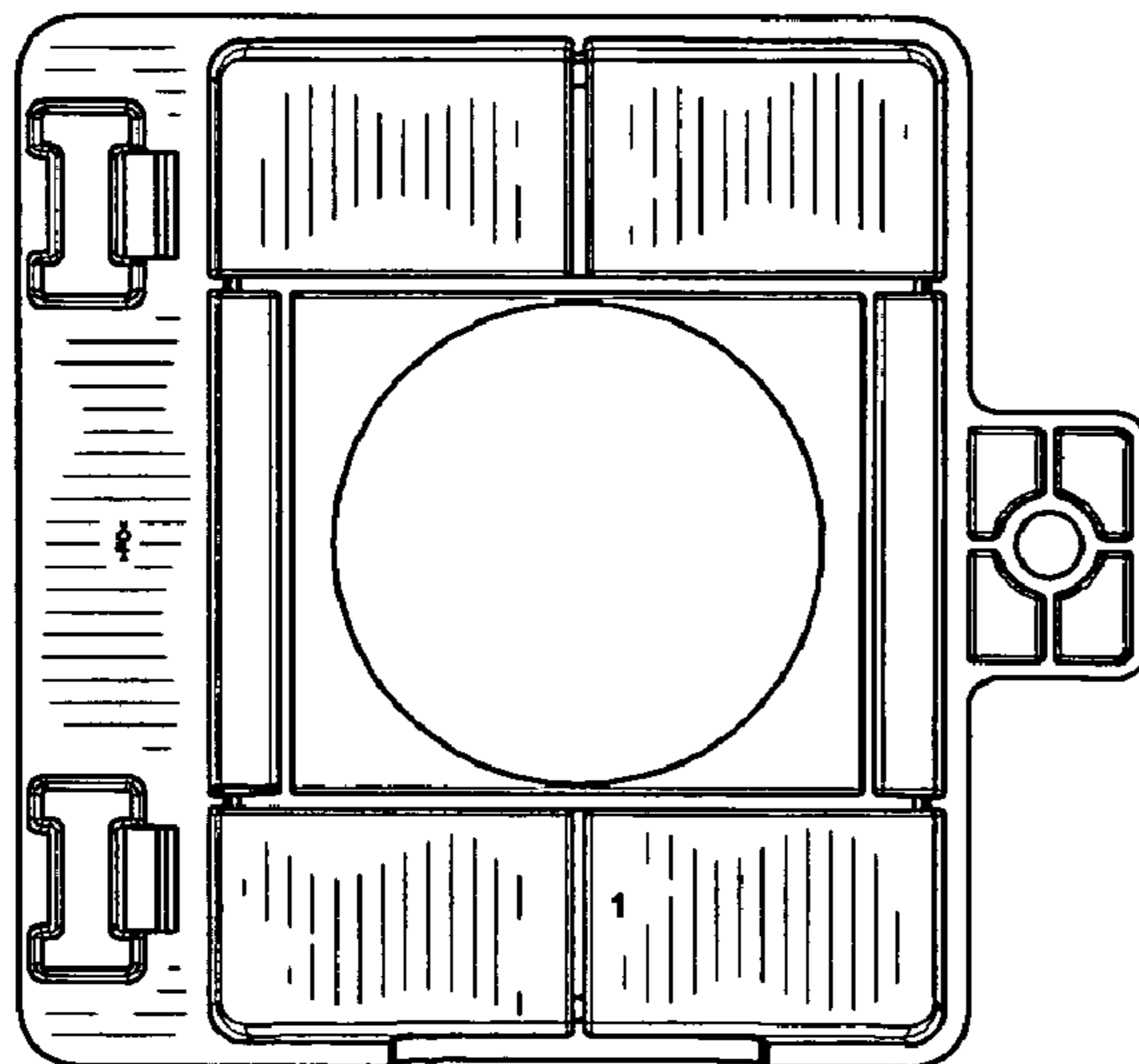


FIG. 5

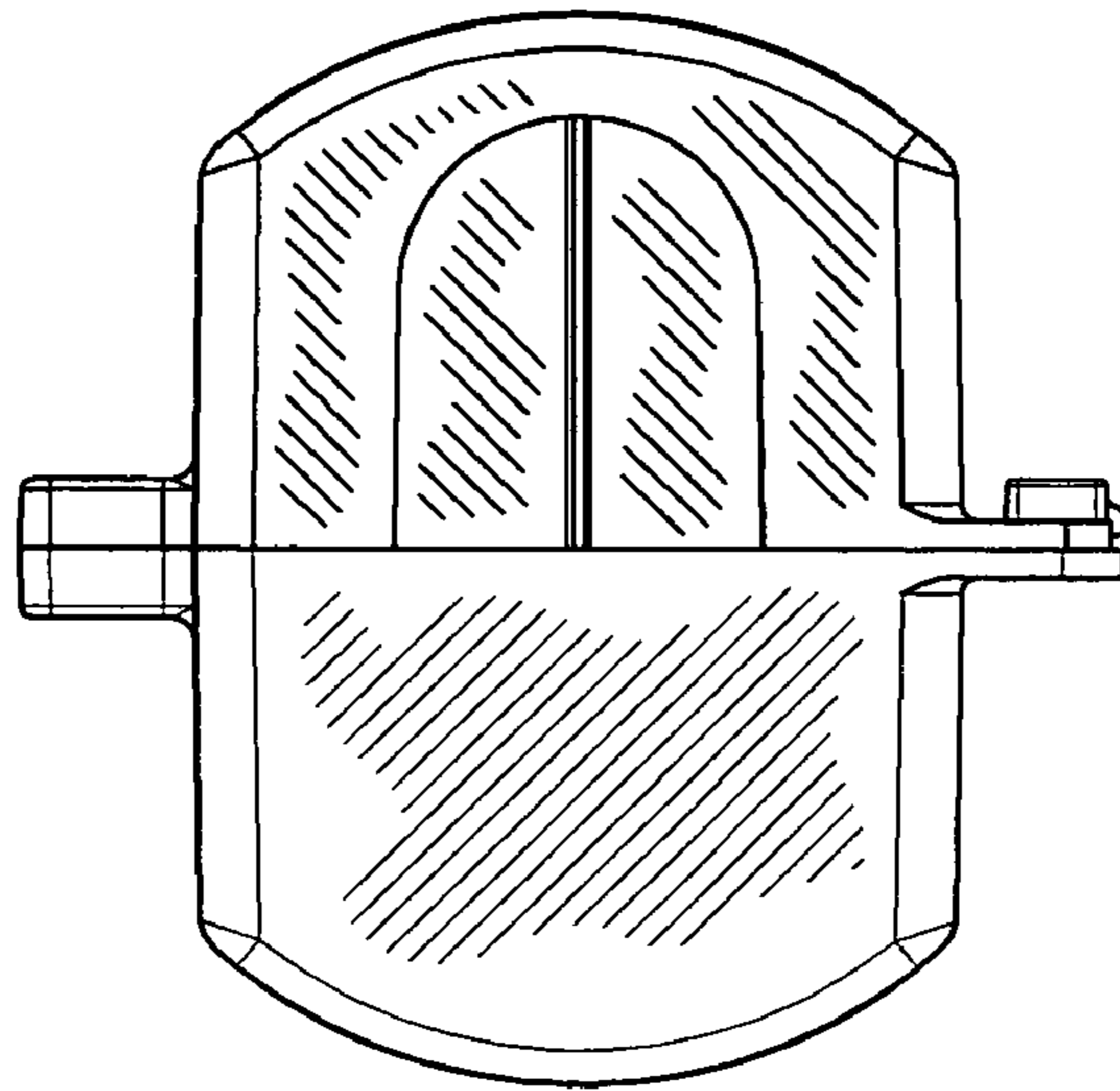


FIG. 6

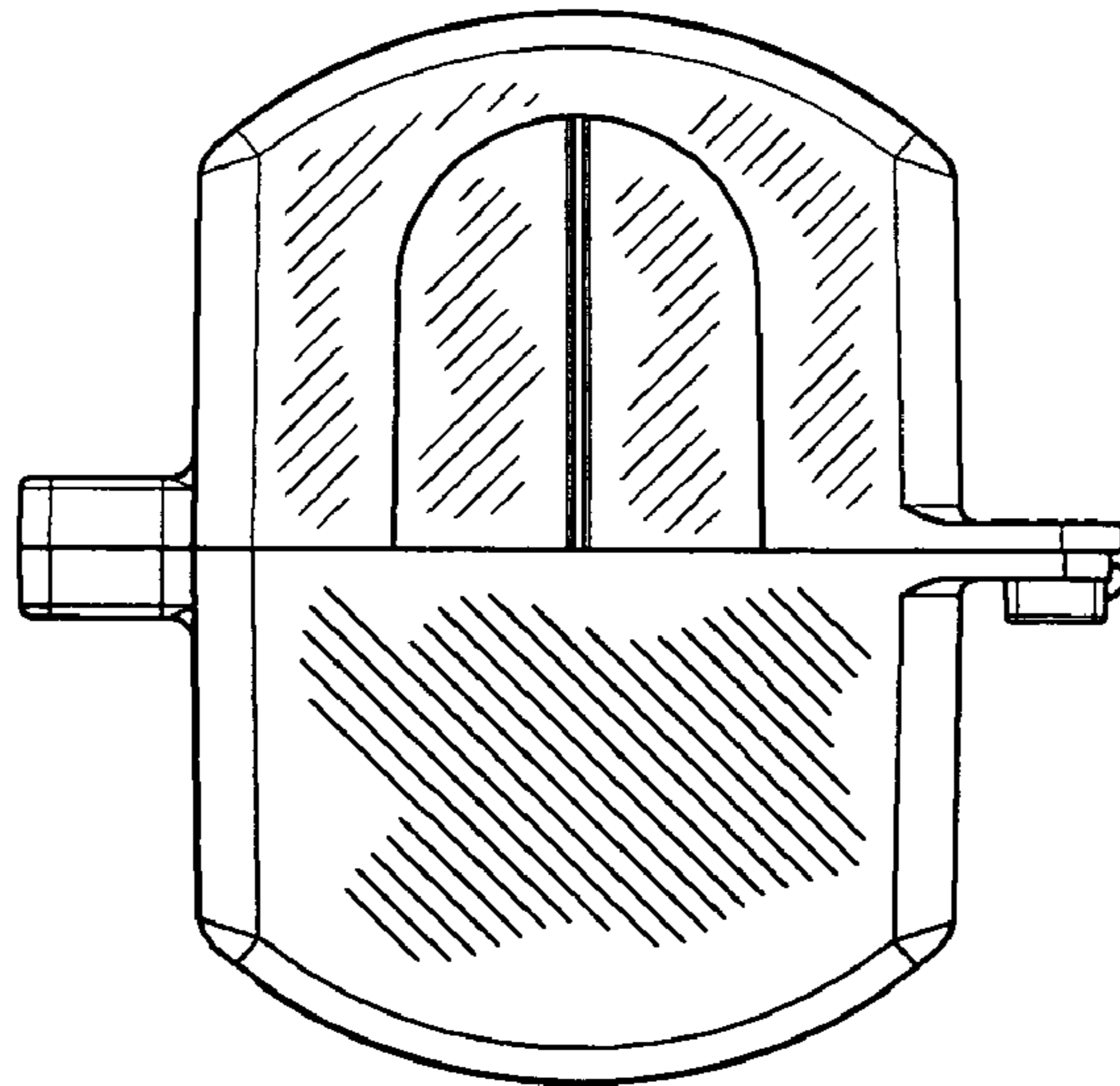


FIG. 7

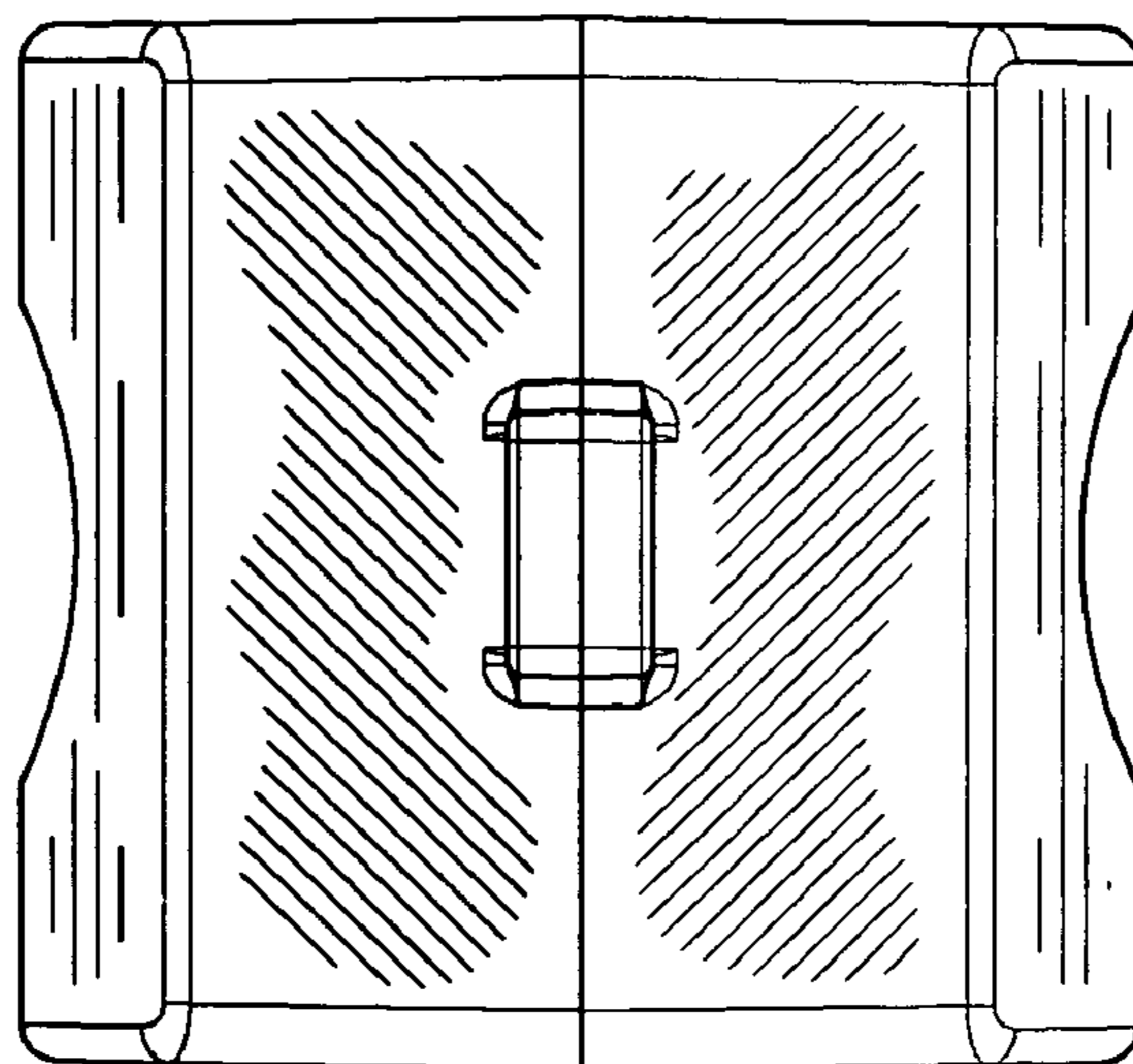


FIG. 8

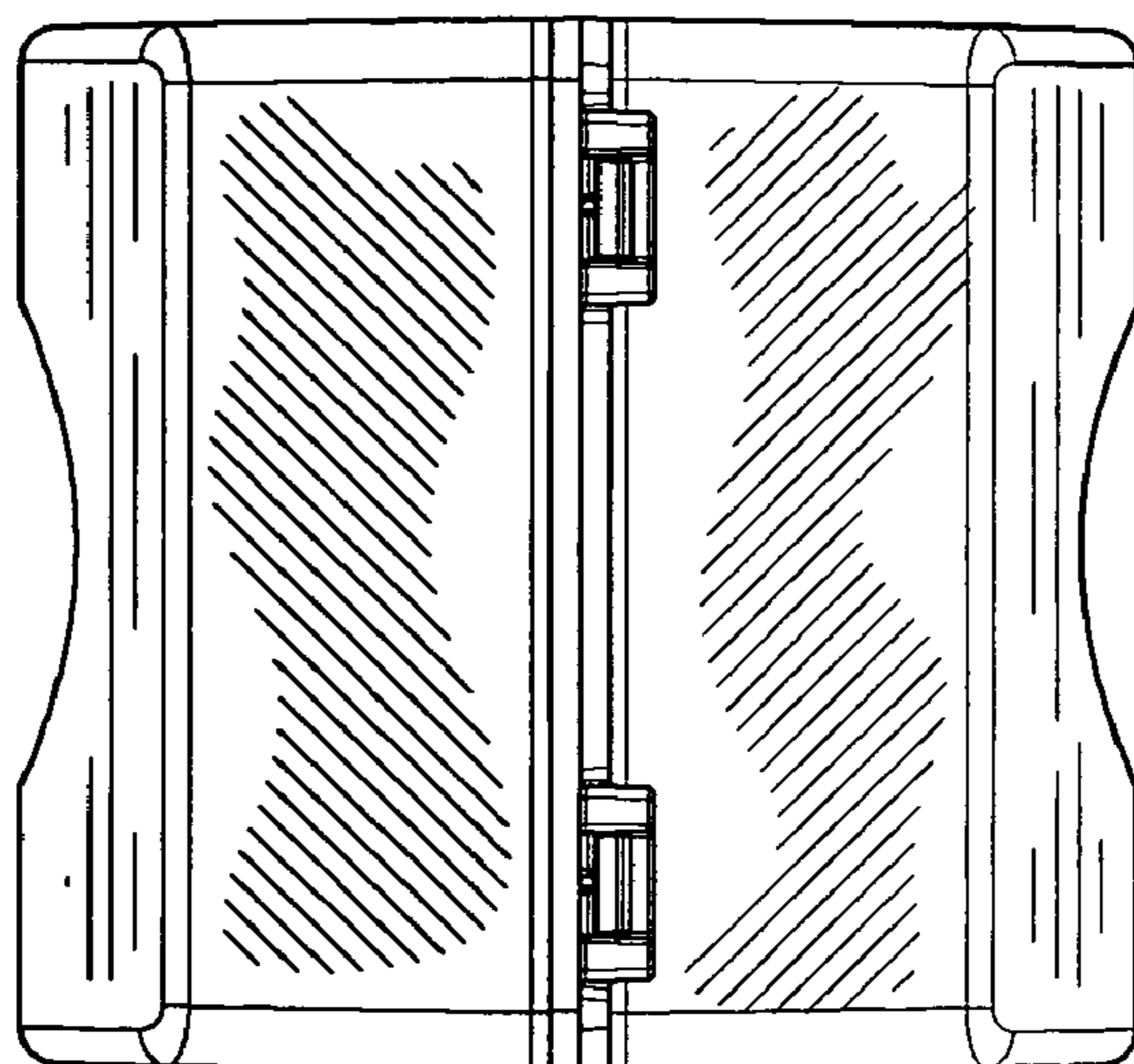


FIG. 9