



US00D601097S

(12) **United States Design Patent**
Novotney et al.

(10) **Patent No.:** **US D601,097 S**

(45) **Date of Patent:** **** Sep. 29, 2009**

(54) **CONNECTOR SYSTEM**

(75) Inventors: **Donald J. Novotney**, San Jose, CA (US); **Evans Hankey**, San Francisco, CA (US); **Stephen Zadesky**, San Carlos, CA (US); **Timothy J. Wells**, Santa Clara, CA (US)

(73) Assignee: **Apple Inc.**, Cupertino, CA (US)

(**) Term: **14 Years**

(21) Appl. No.: **29/327,291**

(22) Filed: **Nov. 3, 2008**

Related U.S. Application Data

(63) Continuation of application No. 29/255,490, filed on Mar. 7, 2006, now Pat. No. Des. 579,876, which is a continuation of application No. 29/220,892, filed on Jan. 7, 2005, now Pat. No. Des. 521,936.

(51) **LOC (9) Cl.** **13-03**

(52) **U.S. Cl.** **D13/154**

(58) **Field of Classification Search** D13/133,
D13/146-147, 154, 184; 439/79, 108, 607-610
See application file for complete search history.

(56) **References Cited**

U.S. PATENT DOCUMENTS

4,632,486	A	12/1986	Hasircoglu
D339,791	S	9/1993	Lucey et al.
D380,196	S	6/1997	Aramaki
D418,479	S	1/2000	Chiou
6,336,827	B1	1/2002	Akama et al.

D465,459	S	11/2002	Zhu et al.
D479,200	S	9/2003	Liu et al.
6,758,685	B1	7/2004	Huang et al.
D500,737	S	1/2005	Shao
D502,146	S	2/2005	Lai et al.
D503,151	S	3/2005	Lai et al.
D521,935	S	5/2006	Lai
D521,936	S	5/2006	Novotney et al.
D579,876	S	11/2008	Novotney et al.

Primary Examiner—Daniel D Bui

(74) *Attorney, Agent, or Firm*—Sterne, Kessler, Goldstein & Fox P.L.L.C.

(57) **CLAIM**

The ornamental design for a connector system, as shown and described.

DESCRIPTION

FIG. 1 is a perspective view of a connector system showing our new design;

FIG. 2 is another perspective view thereof;

FIG. 3 is a front view thereof;

FIG. 4 is a rear view thereof;

FIG. 5 is a top plan view thereof;

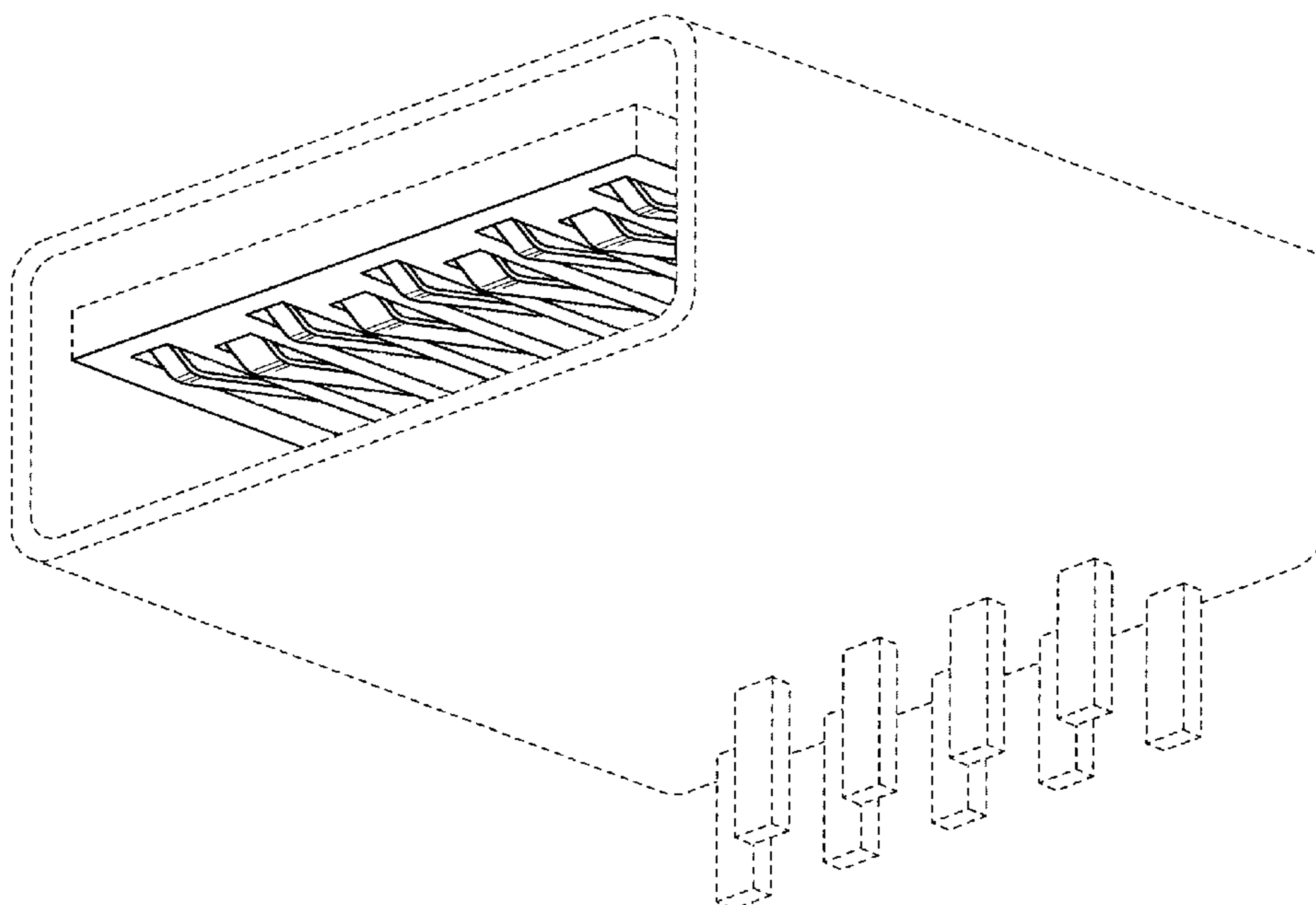
FIG. 6 is a bottom plan view thereof;

FIG. 7 is a left side view thereof; and,

FIG. 8 is a right side view thereof.

The broken line portion of the figure drawings is included to show unclaimed subject matter only and forms no part of the claimed design.

1 Claim, 6 Drawing Sheets



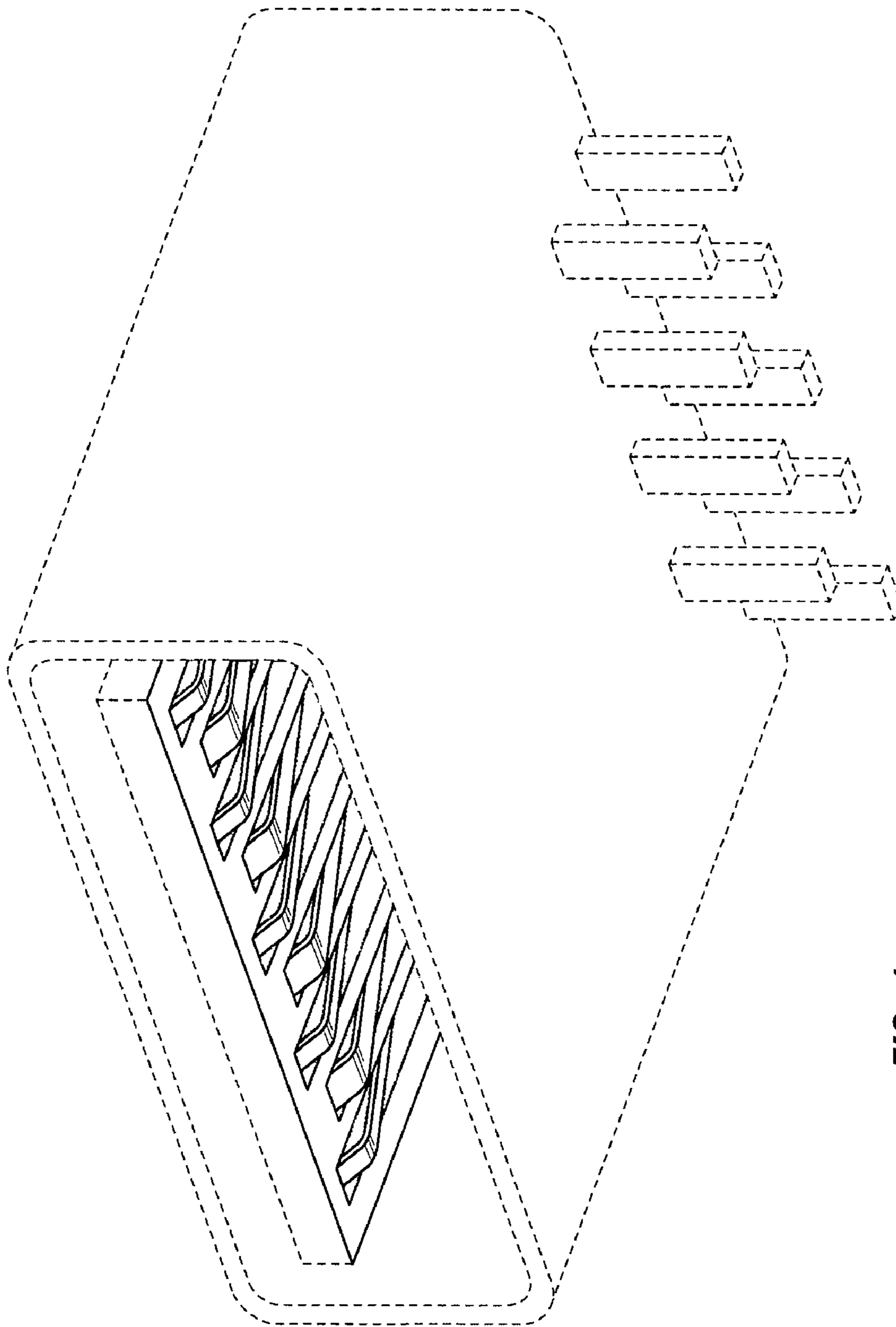


FIG. 1

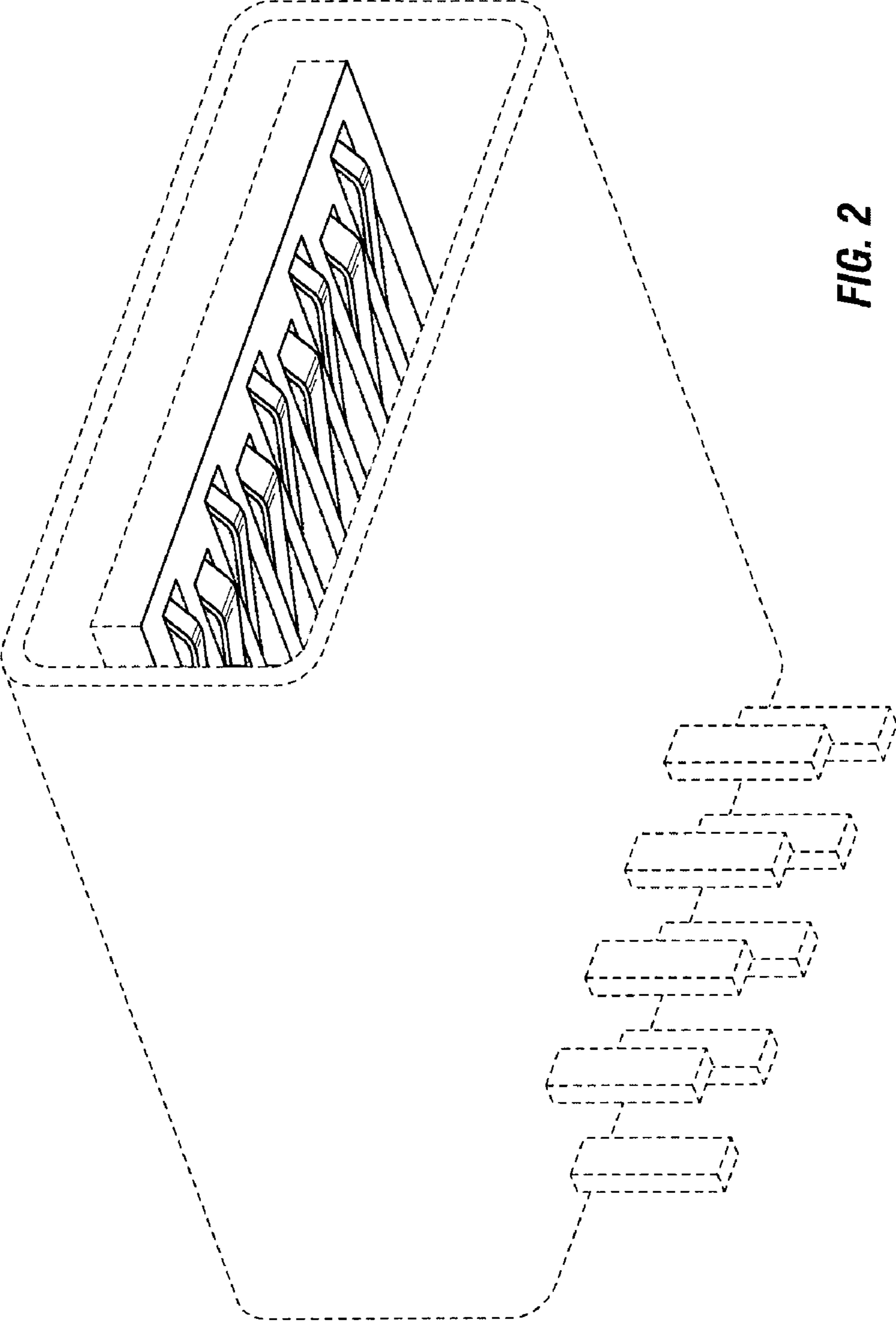


FIG. 2

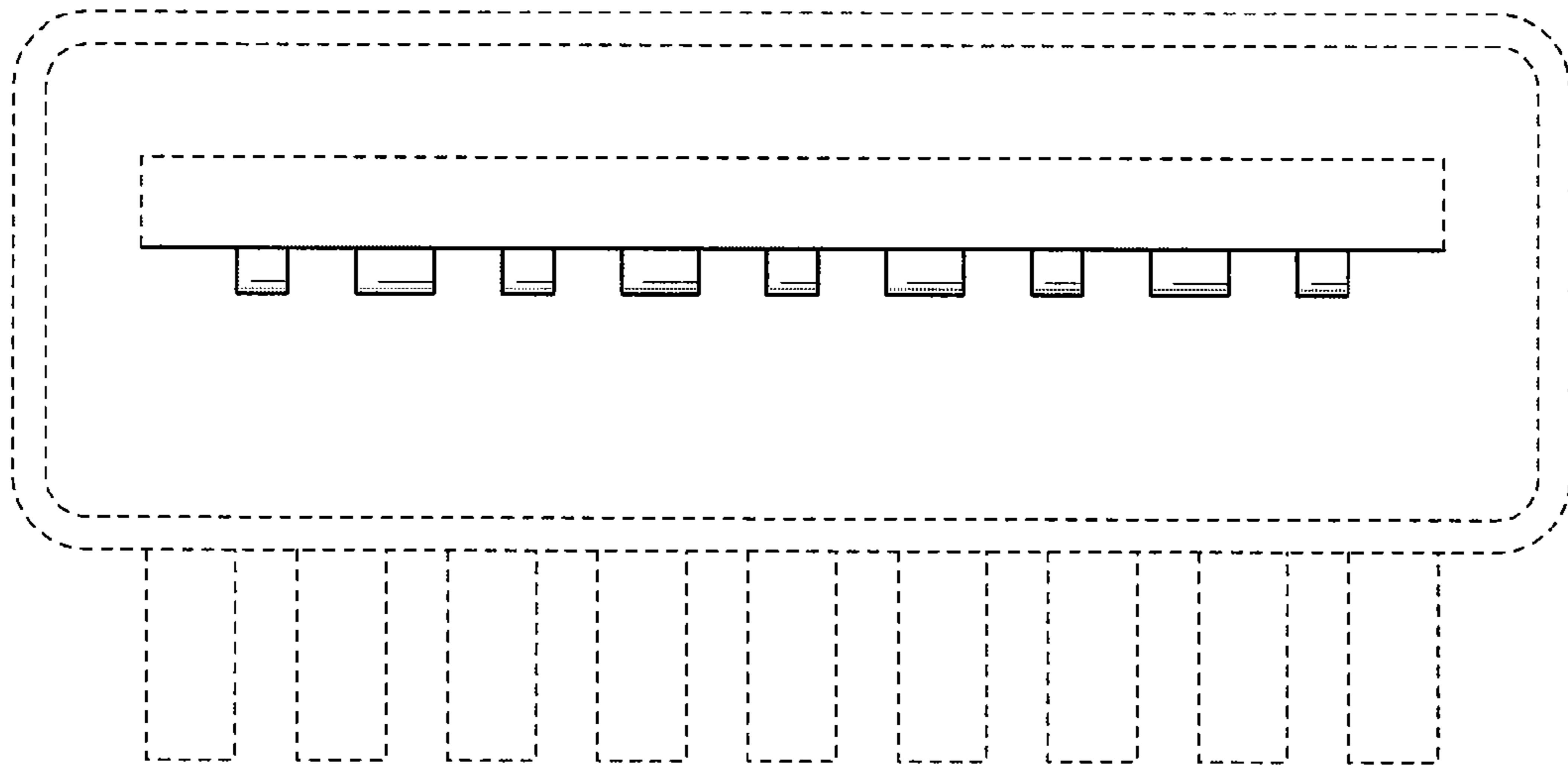


FIG. 3

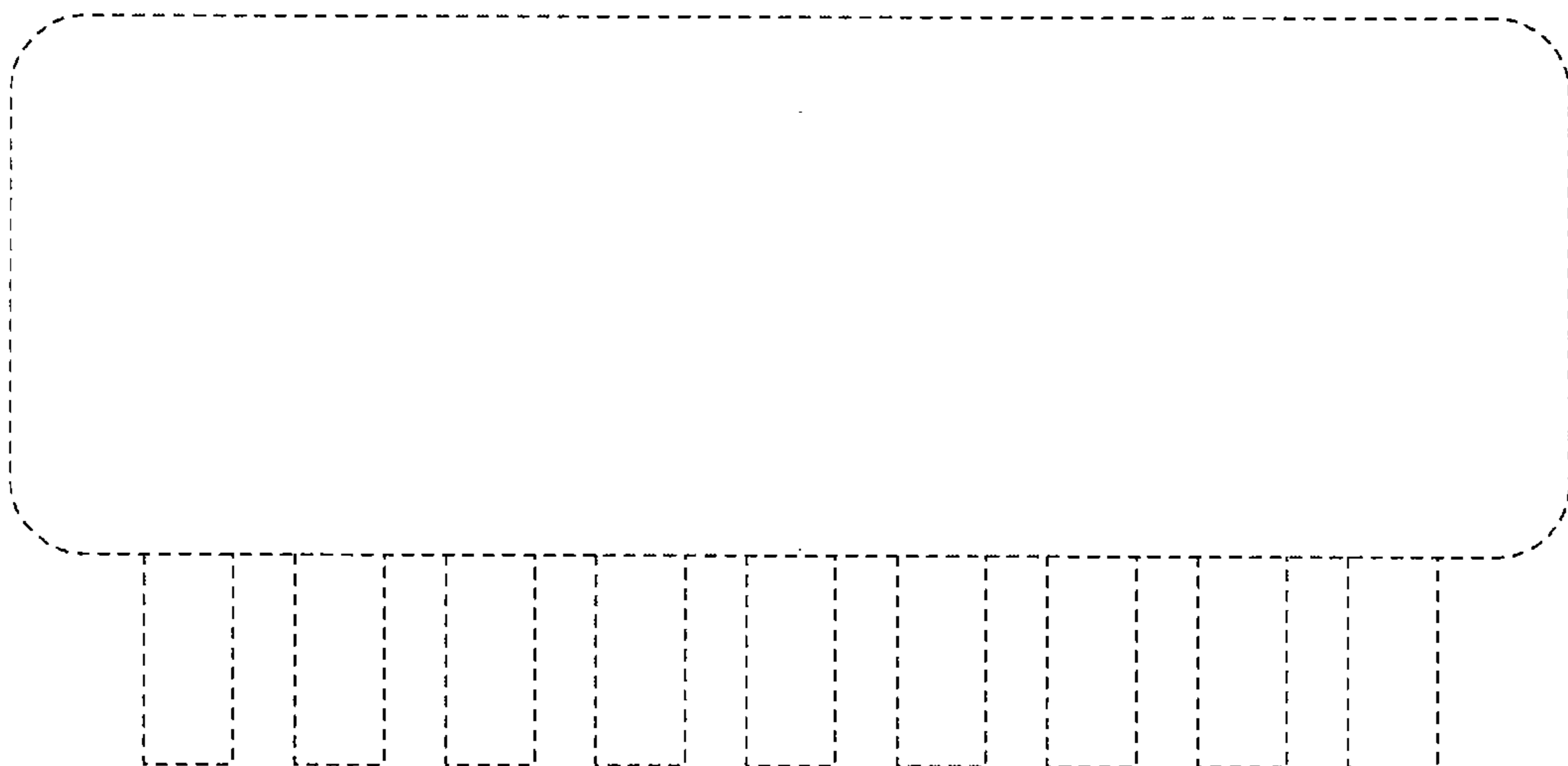


FIG. 4

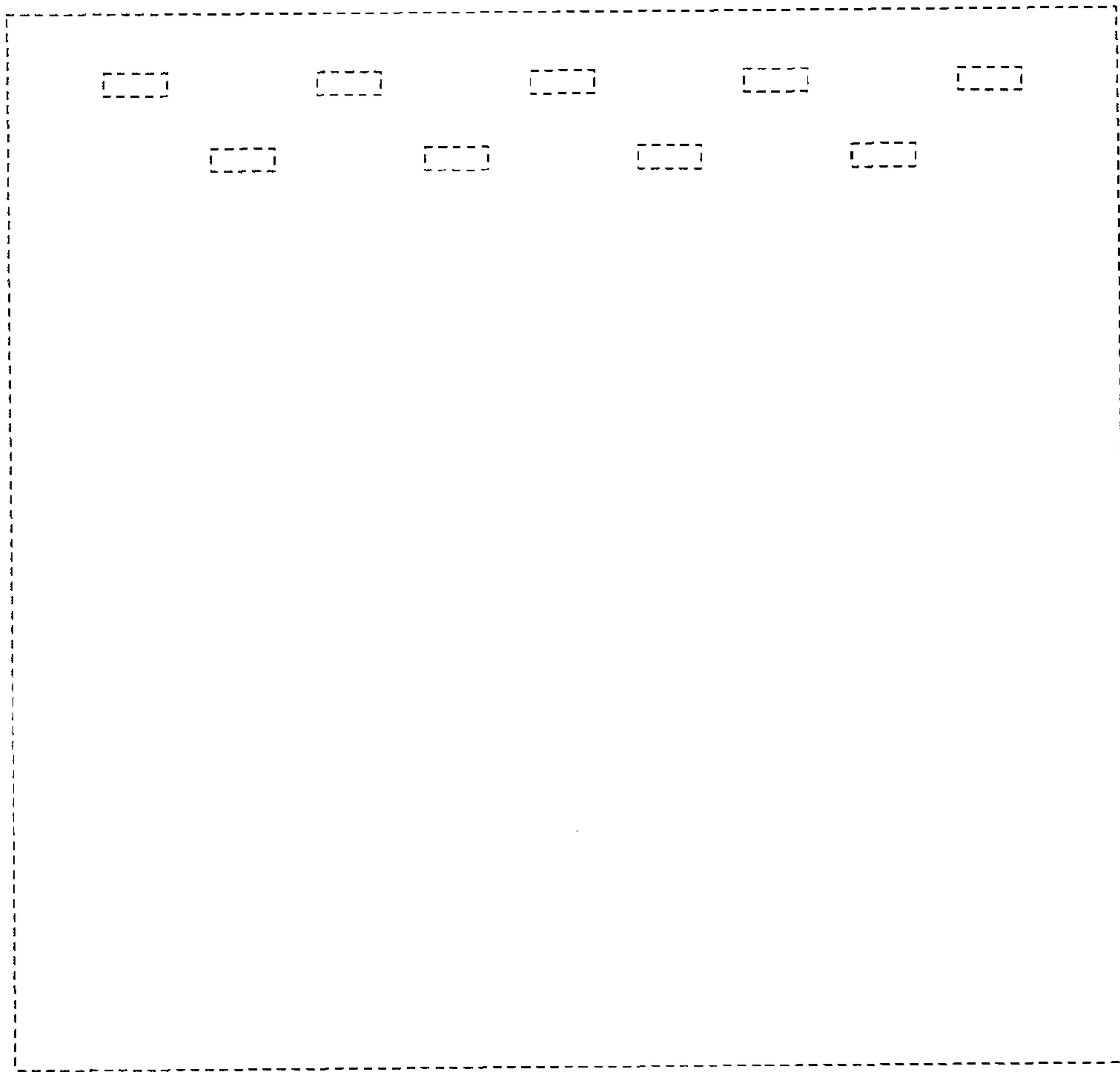


FIG. 5

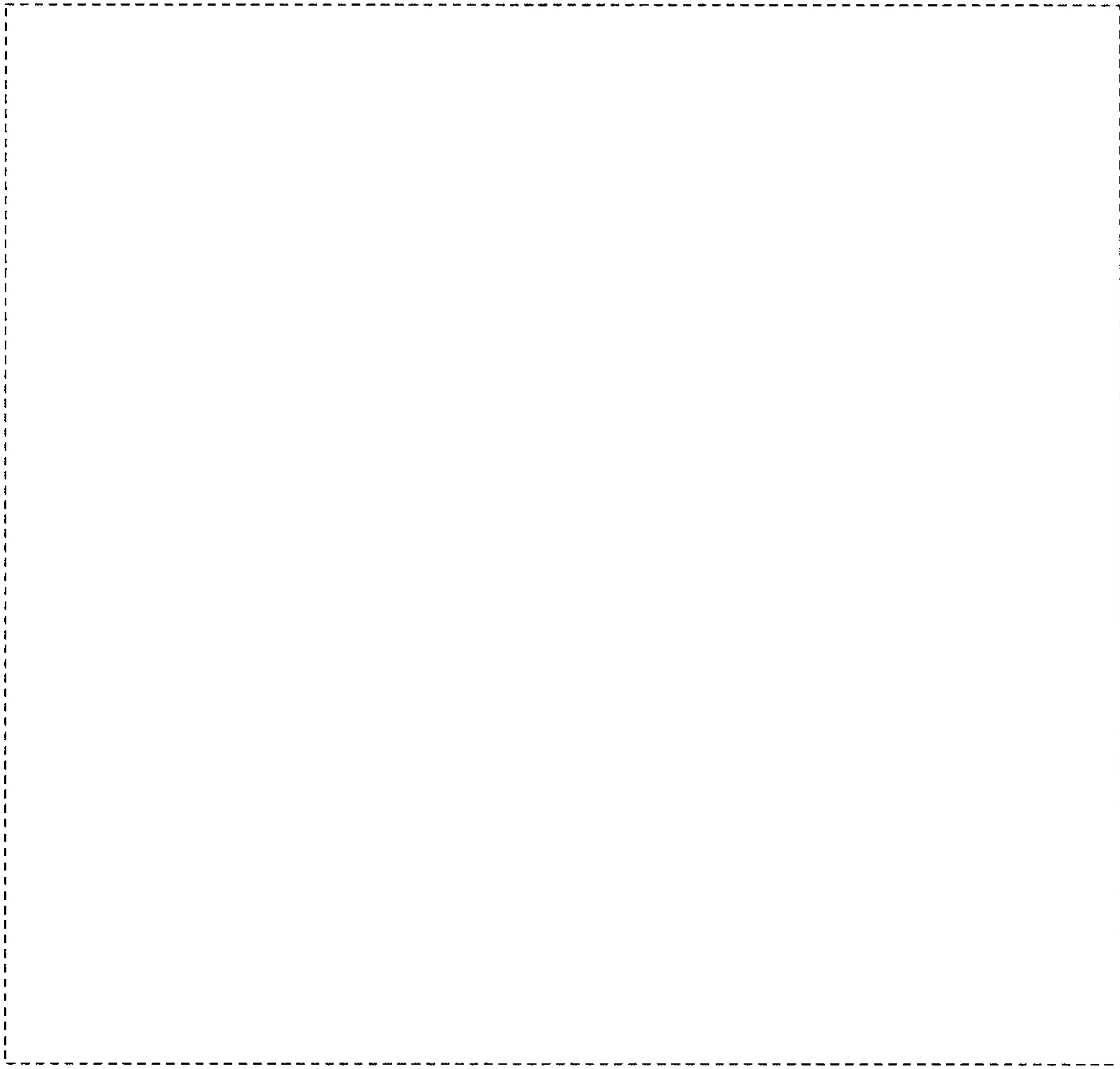


FIG. 6

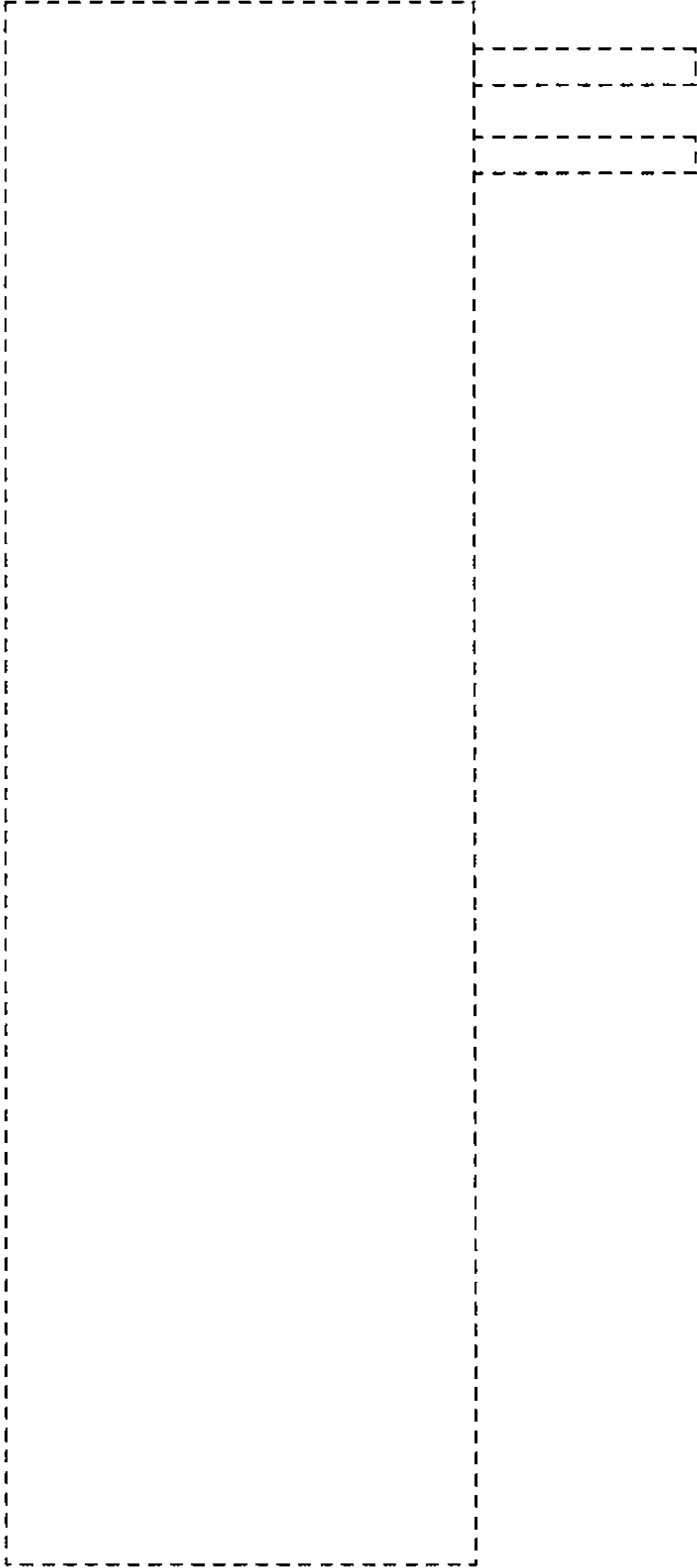


FIG. 7

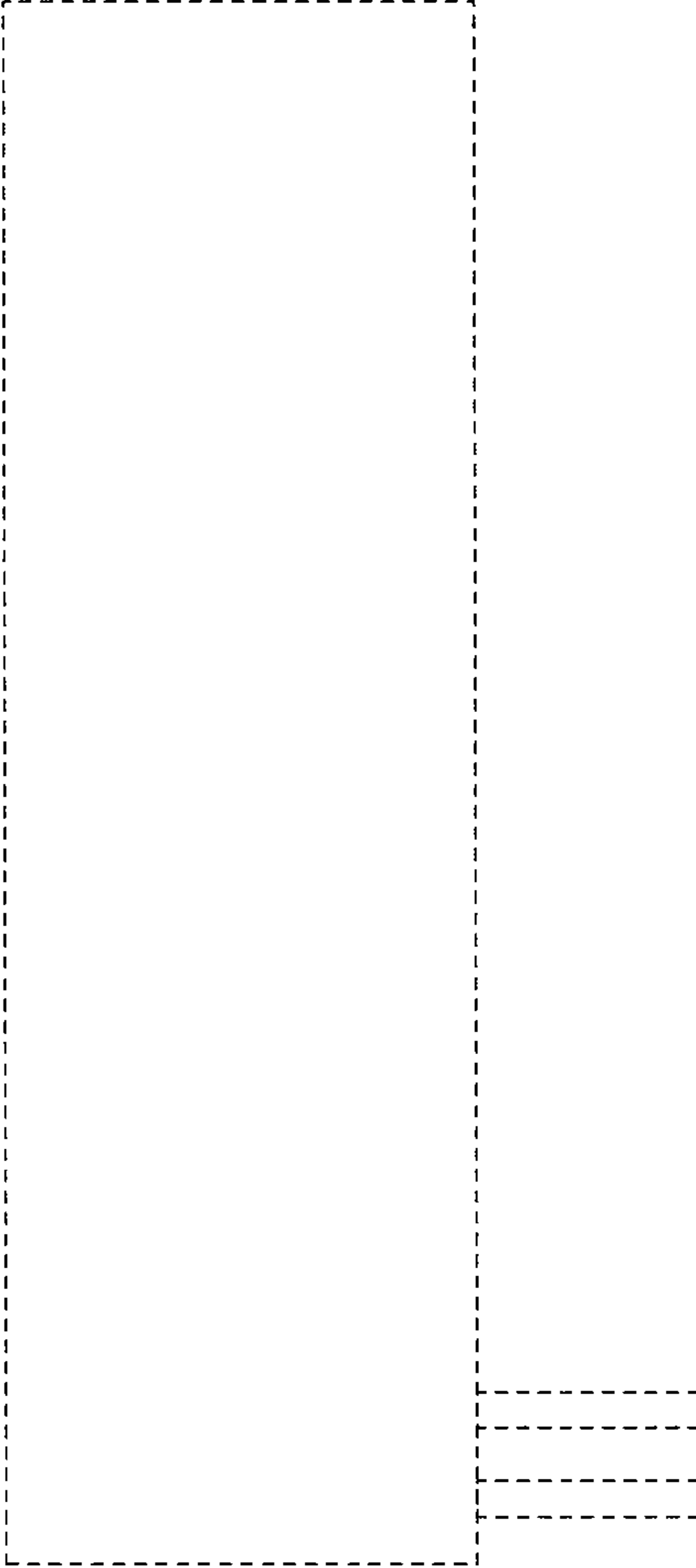


FIG. 8