

US00D601096S

(12) **United States Design Patent**
Vigorito et al.

(10) **Patent No.:** **US D601,096 S**

(45) **Date of Patent:** **** Sep. 29, 2009**

(54) **ELECTRICAL JUNCTION BOX**

(75) Inventors: **Thomas J. Vigorito**, Bridgeport, CT
(US); **Thomas L. Scanzillo**, Monroe, CT
(US)

(73) Assignee: **Hubbell Incorporated**, Orange, CT
(US)

(**) Term: **14 Years**

(21) Appl. No.: **29/336,254**

(22) Filed: **Apr. 30, 2009**

Related U.S. Application Data

(62) Division of application No. 29/304,688, filed on Mar. 6, 2008, now Pat. No. Des. 598,392.

(51) **LOC (9) Cl.** **13-03**

(52) **U.S. Cl.** **D13/152**

(58) **Field of Classification Search** D13/152,
D13/158, 184; 174/480-481, 53-58, 66;
220/3.2-3.9; 439/535-536

See application file for complete search history.

(56) **References Cited**

U.S. PATENT DOCUMENTS

| | | | | | |
|-----------|-----|---------|-----------|-------|---------|
| 2,378,861 | A * | 6/1945 | Peevey | | 220/3.4 |
| 2,989,206 | A * | 6/1961 | McAfee | | 220/3.7 |
| 3,622,029 | A * | 11/1971 | Ware | | 220/3.7 |
| 3,724,706 | A | 4/1973 | Slocum | | |
| D245,905 | S | 9/1977 | Taylor | | |
| 4,634,015 | A * | 1/1987 | Taylor | | 220/3.7 |
| D295,168 | S | 4/1988 | Pisciotta | | |
| D310,824 | S | 9/1990 | Layton | | |
| 5,012,043 | A * | 4/1991 | Seymour | | 174/57 |
| D318,848 | S | 8/1991 | Scholl | | |

| | | | | | |
|-----------|-----|---------|---------------|-------|---------|
| D341,353 | S * | 11/1993 | O | | D13/152 |
| 5,621,189 | A | 4/1997 | Dodds | | |
| 5,959,246 | A * | 9/1999 | Gretz | | 220/3.2 |
| 5,965,846 | A * | 10/1999 | Shotey et al. | | 174/66 |
| D466,085 | S | 11/2002 | Heggem | | |
| D478,553 | S | 8/2003 | Heggem | | |
| D531,128 | S * | 10/2006 | Elberson | | D13/152 |
| D538,751 | S * | 3/2007 | Kiely et al. | | D13/152 |

* cited by examiner

Primary Examiner—Brian N Vinson

(74) *Attorney, Agent, or Firm*—Garrett V. Davis; Mark S. Bicks; Alfred N. Goodman

(57) **CLAIM**

The ornamental design for the electrical junction box, as shown and described.

DESCRIPTION

FIG. 1 is a perspective view of an embodiment of the electrical junction box of the invention;

FIG. 2 is a front elevational view of the electrical junction box of FIG. 1;

FIG. 3 is a rear elevational view of the electrical junction box of FIG. 1;

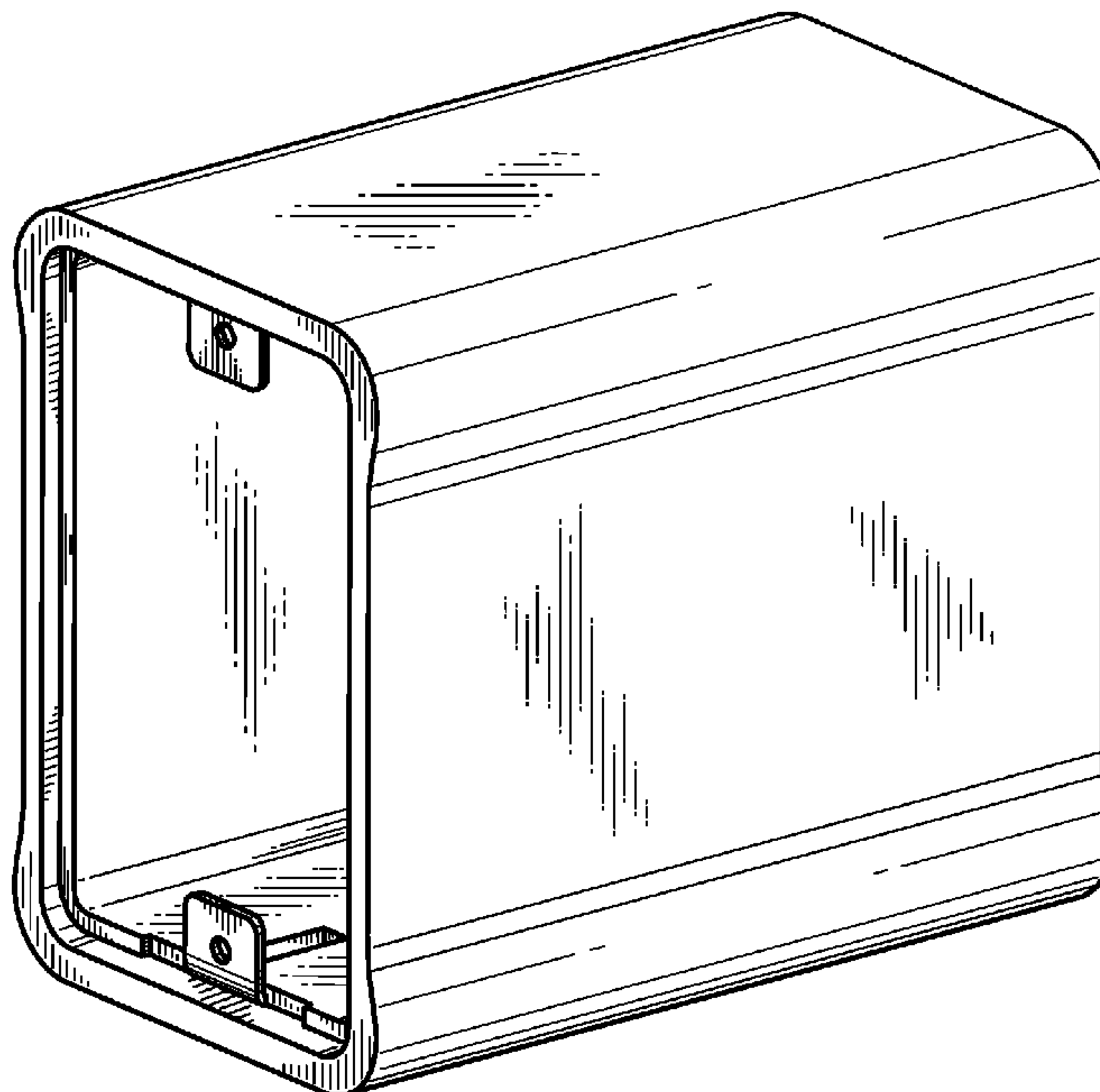
FIG. 4 is a left side elevational view of the electrical junction box of FIG. 1;

FIG. 5 is a right side elevational view of the electrical junction box of FIG. 1;

FIG. 6 is a top plan view of the electrical junction box of FIG. 1; and,

FIG. 7 is a bottom plan view of the electrical junction box of FIG. 1.

1 Claim, 3 Drawing Sheets



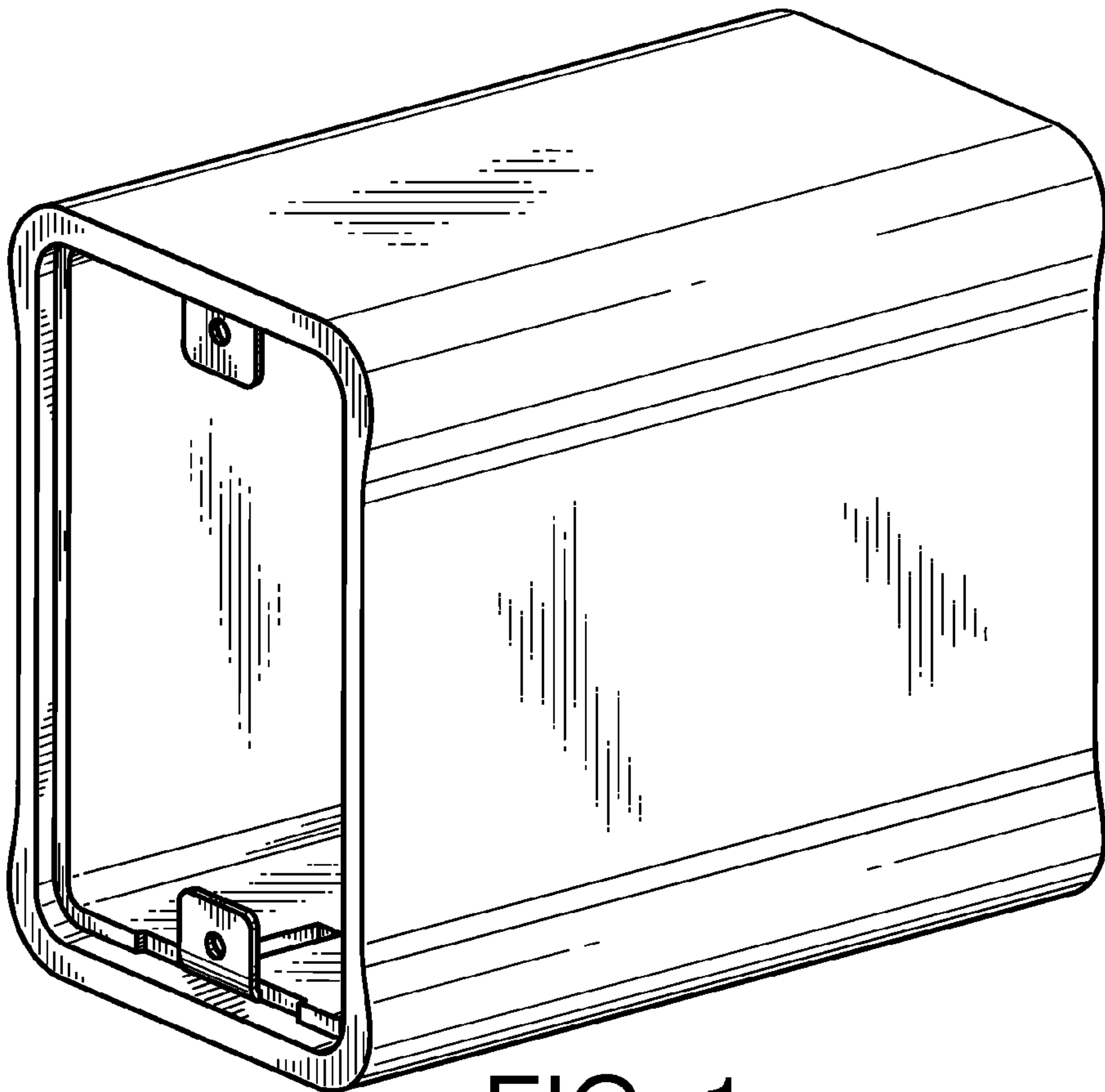


FIG. 1

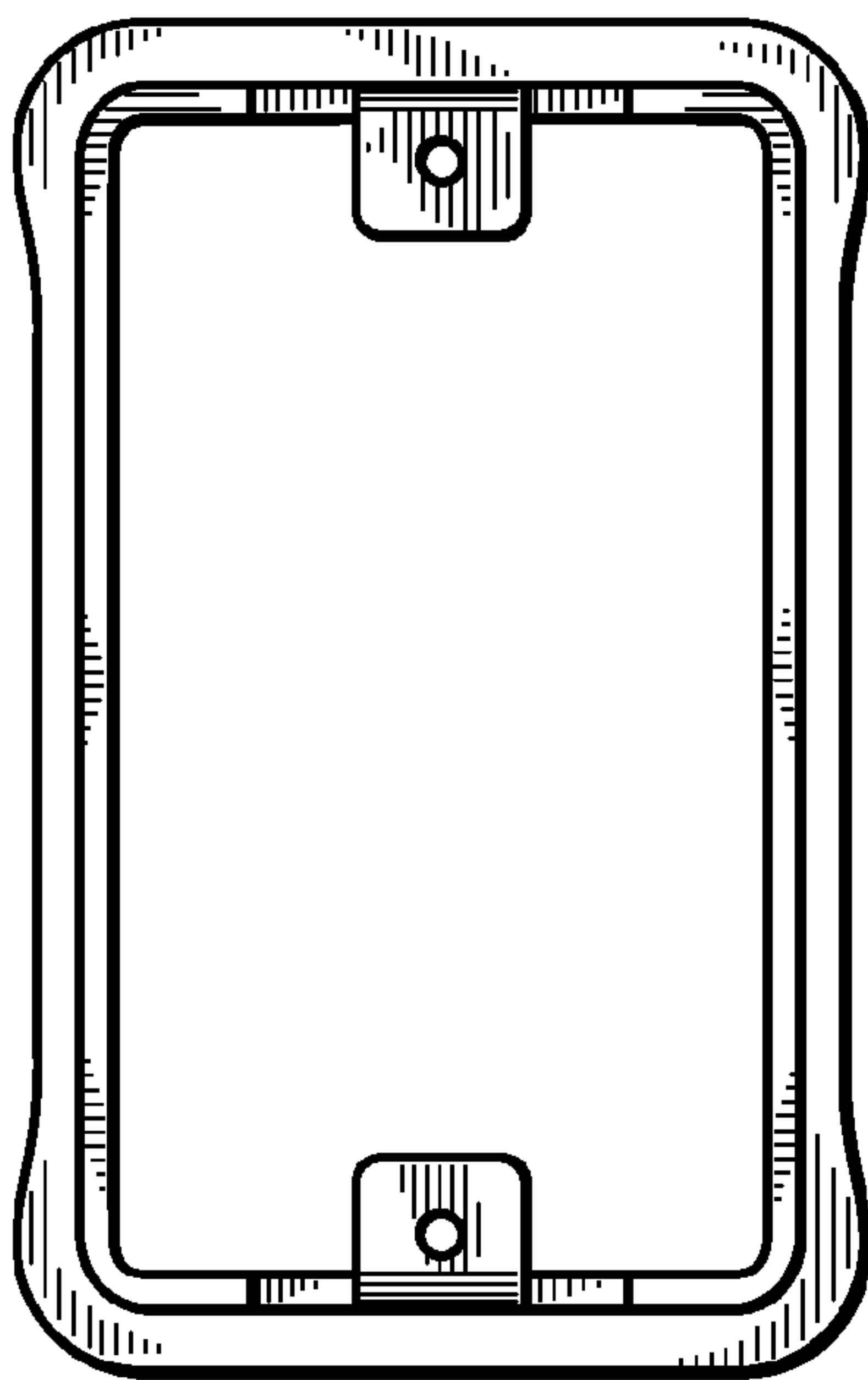


FIG. 2

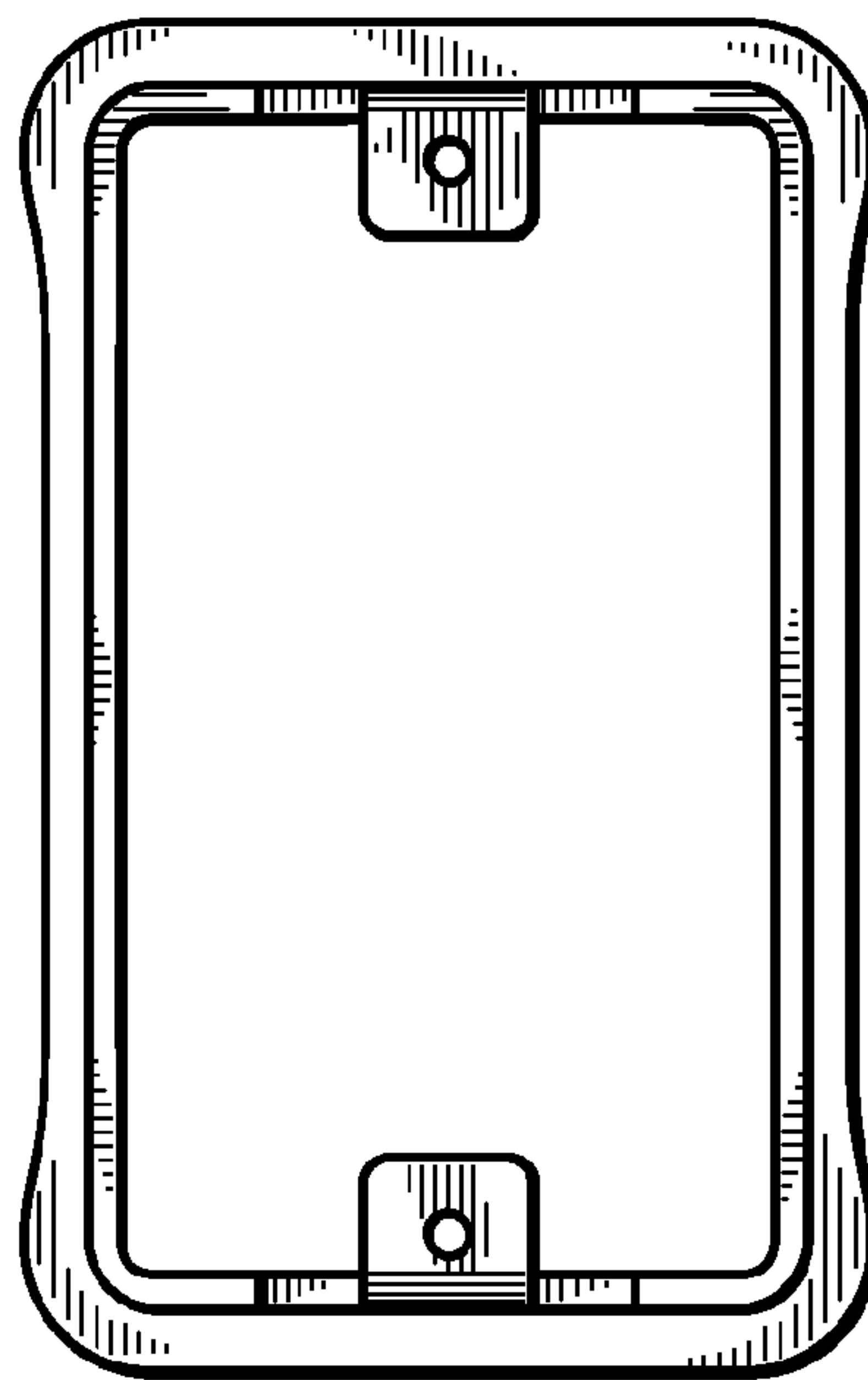


FIG. 3

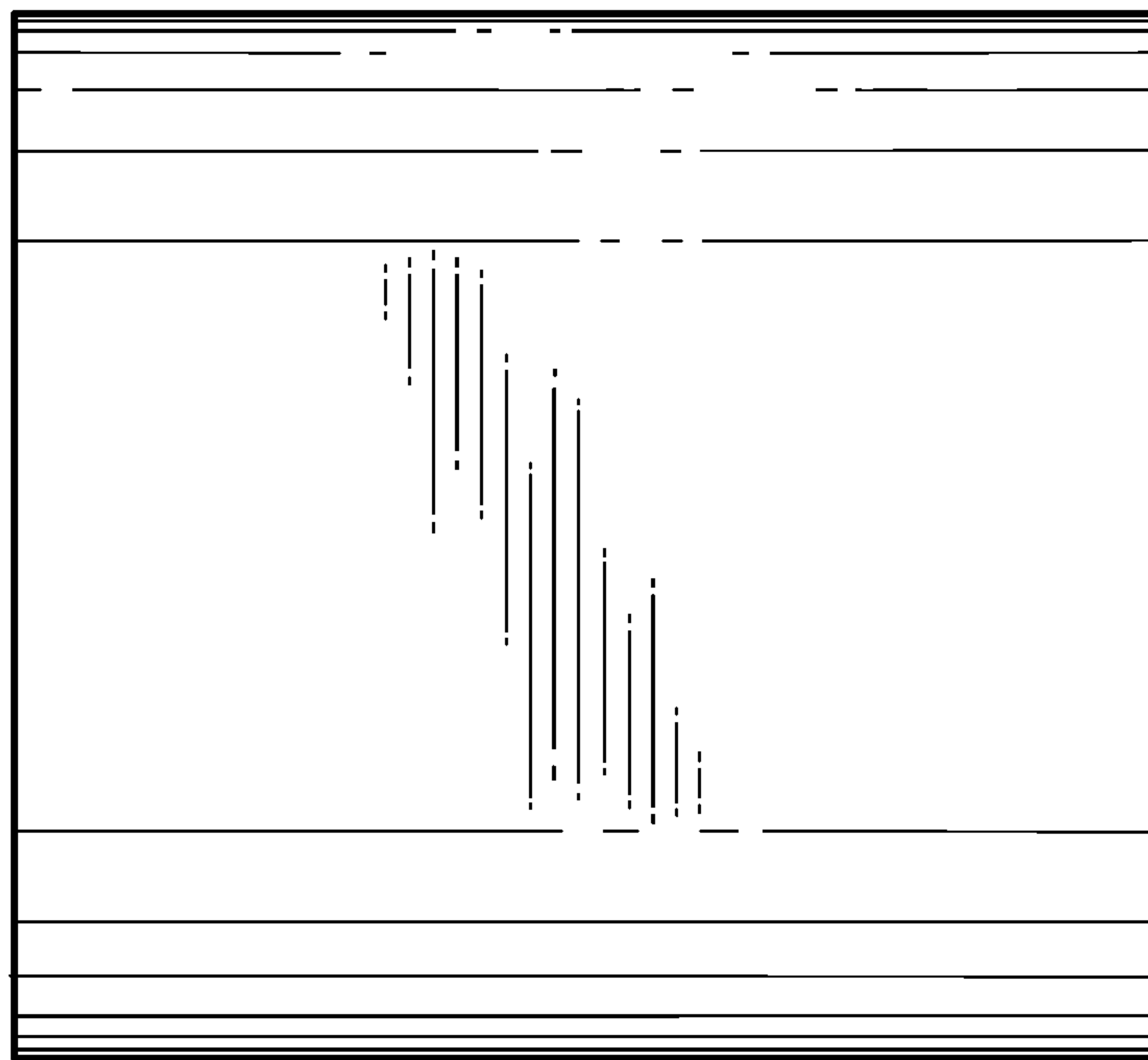


FIG. 4

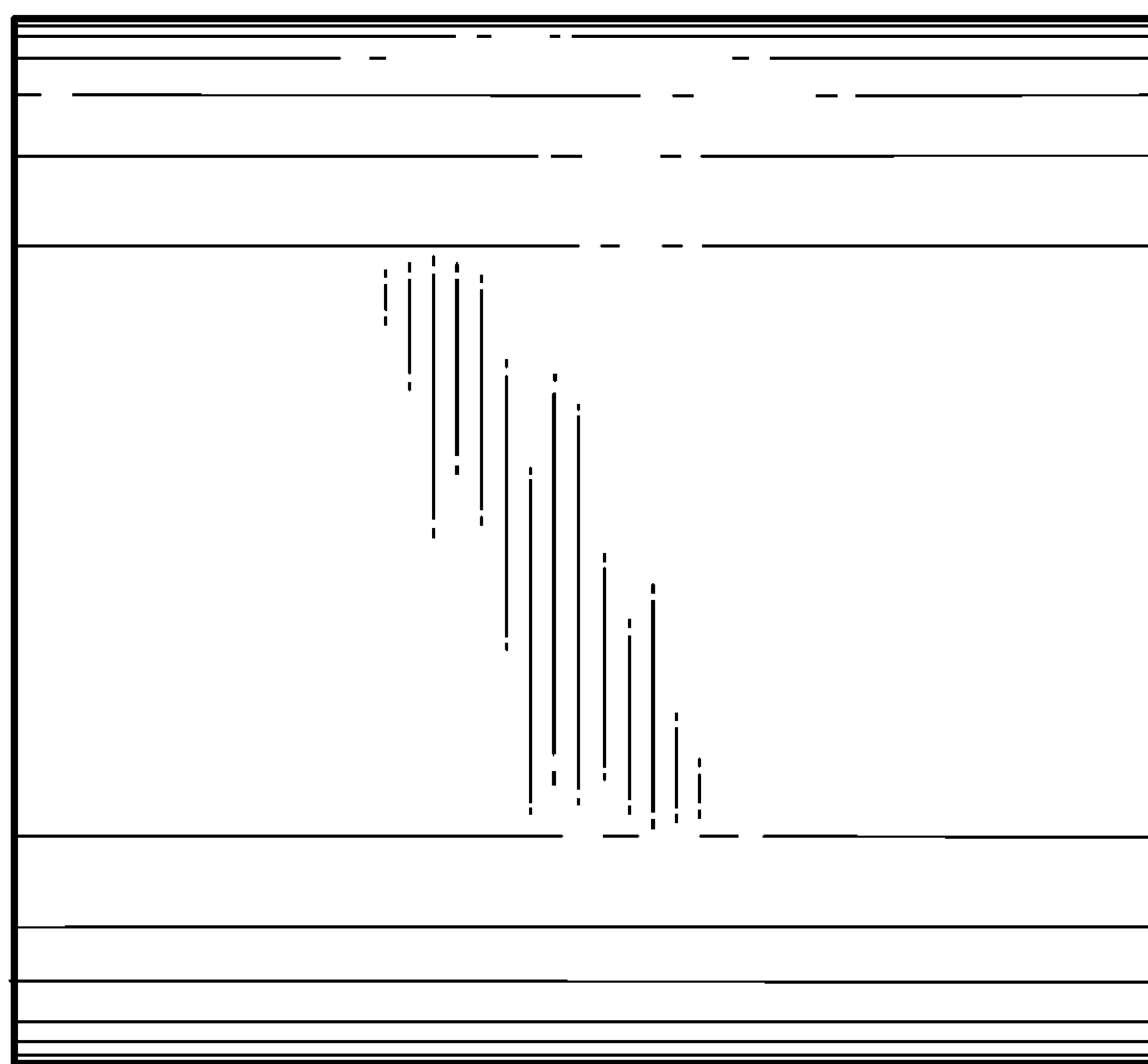


FIG. 5

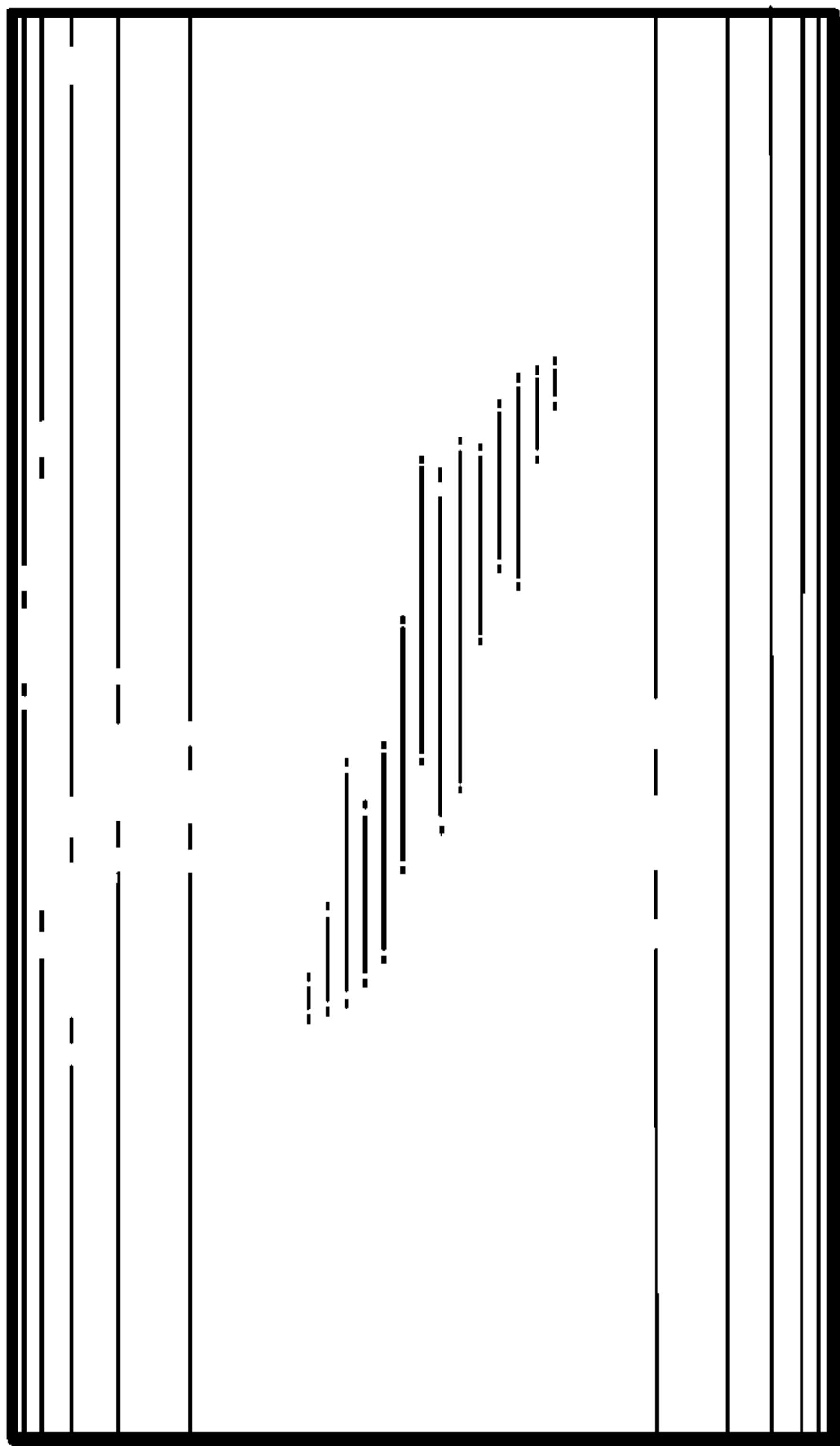


FIG. 6

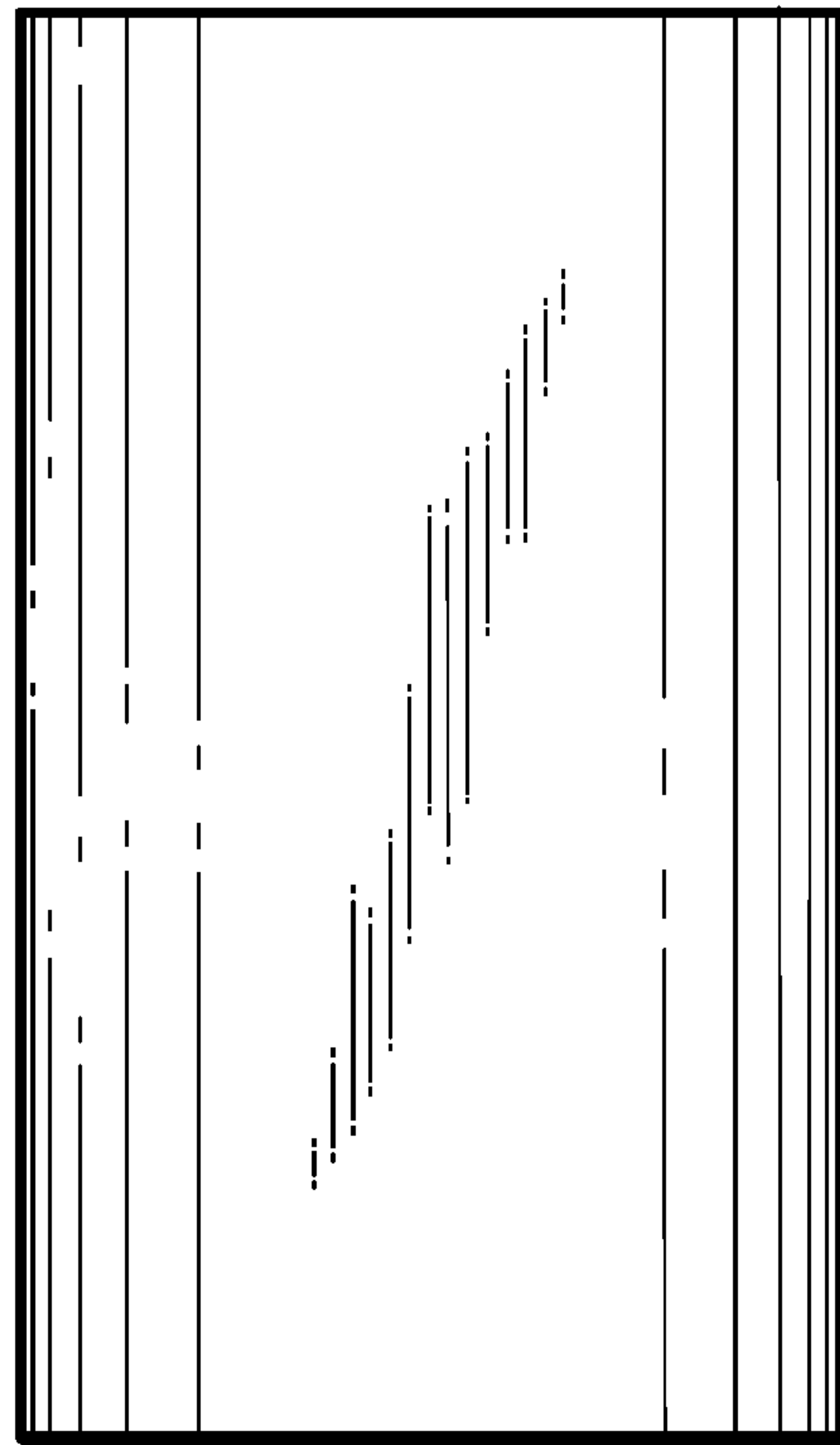


FIG. 7