



US00D601095S

(12) **United States Design Patent**
Rodrigues

(10) **Patent No.:** **US D601,095 S**

(45) **Date of Patent:** **** Sep. 29, 2009**

(54) **COAXIAL CONNECTOR WITH KNURLED
HEXAGONAL NUT**

(75) Inventor: **Julio F. Rodrigues**, Collierille, TN (US)

(73) Assignee: **Thomas & Betts International, Inc.**,
Wilmington, DE (US)

(**) Term: **14 Years**

(21) Appl. No.: **29/313,999**

(22) Filed: **Feb. 25, 2009**

(51) **LOC (9) Cl.** **13-03**

(52) **U.S. Cl.** **D13/151; D13/154; D13/133**

(58) **Field of Classification Search** D13/133,
D13/149, 151, 153, 154, 156, 184, 199; 439/133,
439/321, 322, 578, 583, 584, 585, 668, 79,
439/248, 258, 274, 350, 352, 353, 358, 359,
439/362, 378, 445, 447, 656, 660, 676, 677,
439/678, 679, 680, 681, 682, 686; 411/7,
411/11; 426/507; 28/828; 307/10.1; 333/81 A;
D26/46, 49; D8/303

See application file for complete search history.

(56) **References Cited**

U.S. PATENT DOCUMENTS

3,104,145 A	9/1963	Somerset	339/103
3,710,005 A	1/1973	French		
D233,991 S	12/1974	Smith et al.	D13/3
4,834,675 A	5/1989	Samchisen		
4,990,106 A	2/1991	Szegda		
5,002,503 A	3/1991	Campbell et al.		
5,501,616 A	3/1996	Holliday		
D371,342 S	7/1996	Lundback	213/151
6,153,830 A	11/2000	Montena		
D436,076 S	1/2001	Montena	D13/133
D437,826 S	2/2001	Montena	D13/133
D458,904 S	6/2002	Montena	D13/154
D460,739 S	7/2002	Fox	D13/154
D460,740 S	7/2002	Montena	D13/154
D460,946 S	7/2002	Montena	D13/154
D460,947 S	7/2002	Montena	D13/154
D460,948 S	7/2002	Montena	D13/154

D461,166 S	8/2002	Montena	D13/151
D461,167 S	8/2002	Montena	D13/154
D461,778 S	8/2002	Fox	D13/151
D462,058 S	8/2002	Montena	D13/151
D462,060 S	8/2002	Fox	D13/154
D475,975 S	6/2003	Fox	D13/151
D505,391 S	5/2005	Rodrigues et al.	D13/151
D519,076 S	4/2006	Fox	D13/133
D535,259 S *	1/2007	Rodrigues et al.	D13/151
D549,179 S *	8/2007	Amidon et al.	D13/151
D551,173 S	9/2007	Rodrigues et al.	D13/154
D578,073 S *	10/2008	Amidon	D13/151
7,462,068 B2 *	12/2008	Amidon	439/578
2008/0064259 A1 *	3/2008	Amidon	439/578
2008/0248688 A1 *	10/2008	Amidon	439/578

OTHER PUBLICATIONS

Evolution Products—www.evolutionbb.com/
ShowProductsConnectors—Mar. 20, 2008 LRC—Snap-N-
Seal—“F” Series Male, Indoor Connectors—2001.

* cited by examiner

Primary Examiner—Daniel D Bui

Assistant Examiner—Thomas J Johannes

(74) *Attorney, Agent, or Firm*—G. Andrew Barger

(57) **CLAIM**

The ornamental design for a coaxial connector with knurled hexagonal nut, as shown and described.

DESCRIPTION

FIG. 1 is a perspective view of the coaxial connector with knurled hexagonal nut of the present invention;

FIG. 2 is a top plan view thereof;

FIG. 3 is a side elevational view thereof;

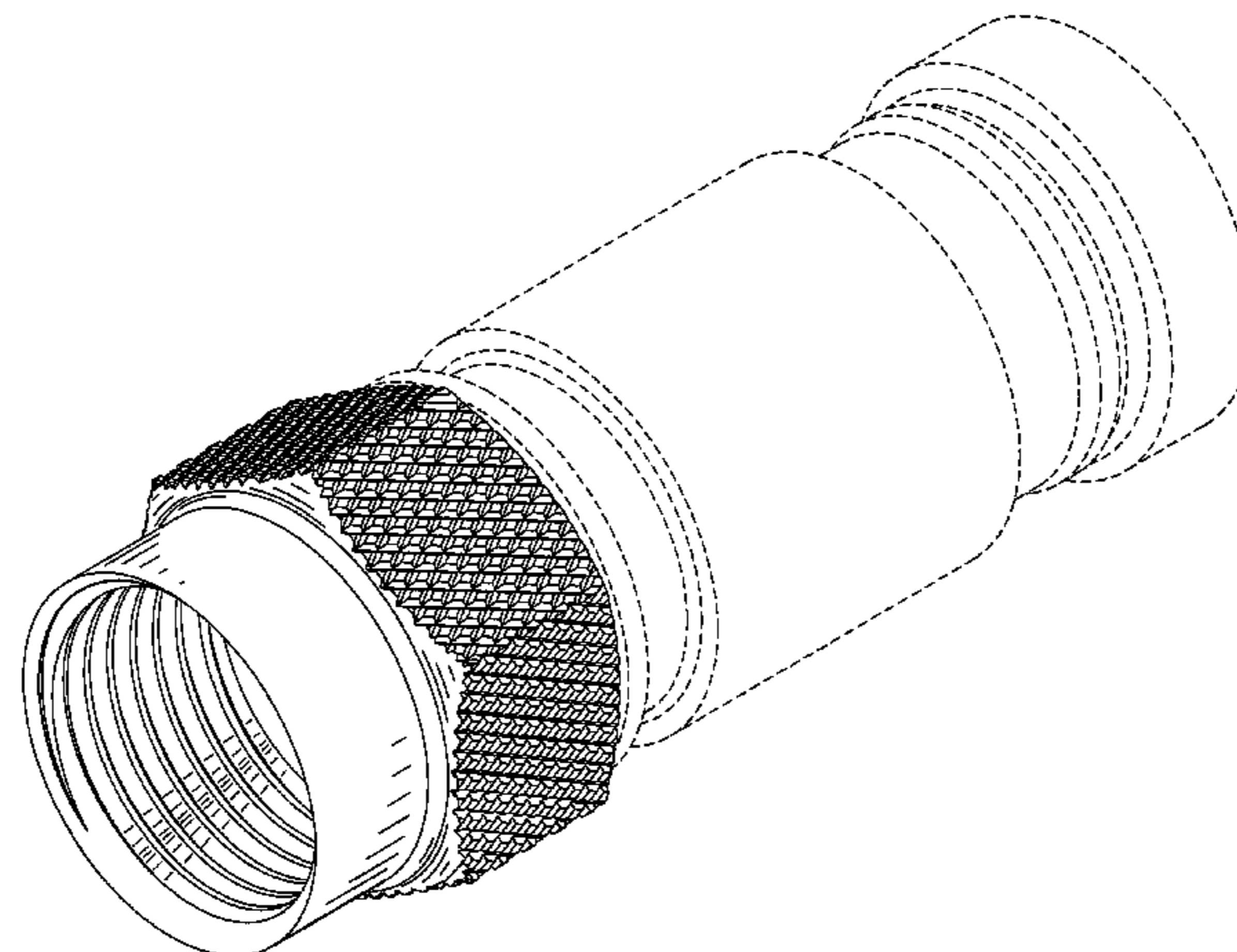
FIG. 4 is a bottom plan view thereof;

FIG. 5 is a side elevational view thereof; and,

FIG. 6 is a perspective view thereto.

The broken line portion of the figure drawings is included to show unclaimed subject matter only and forms no part of the claimed design.

1 Claim, 5 Drawing Sheets



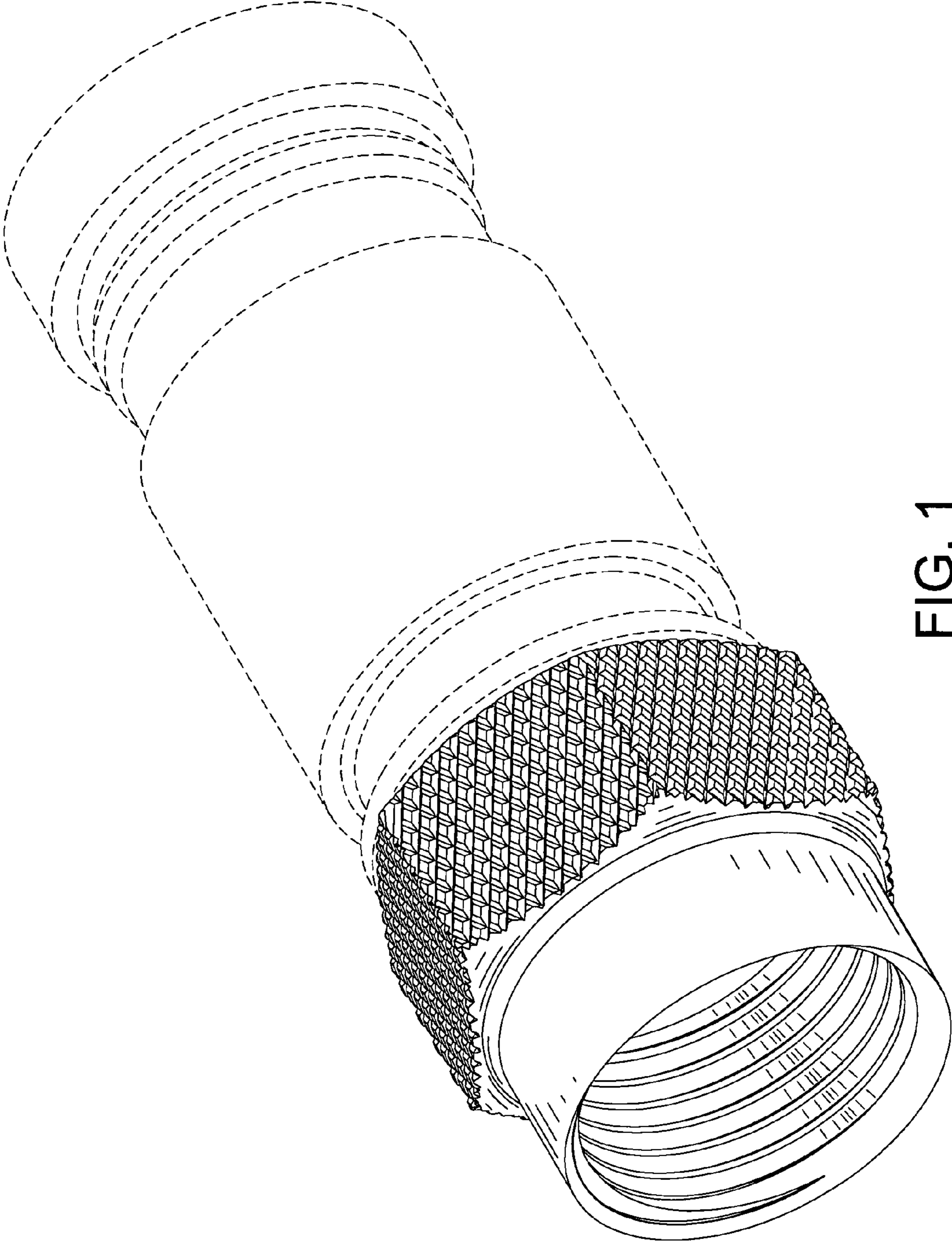


FIG. 1

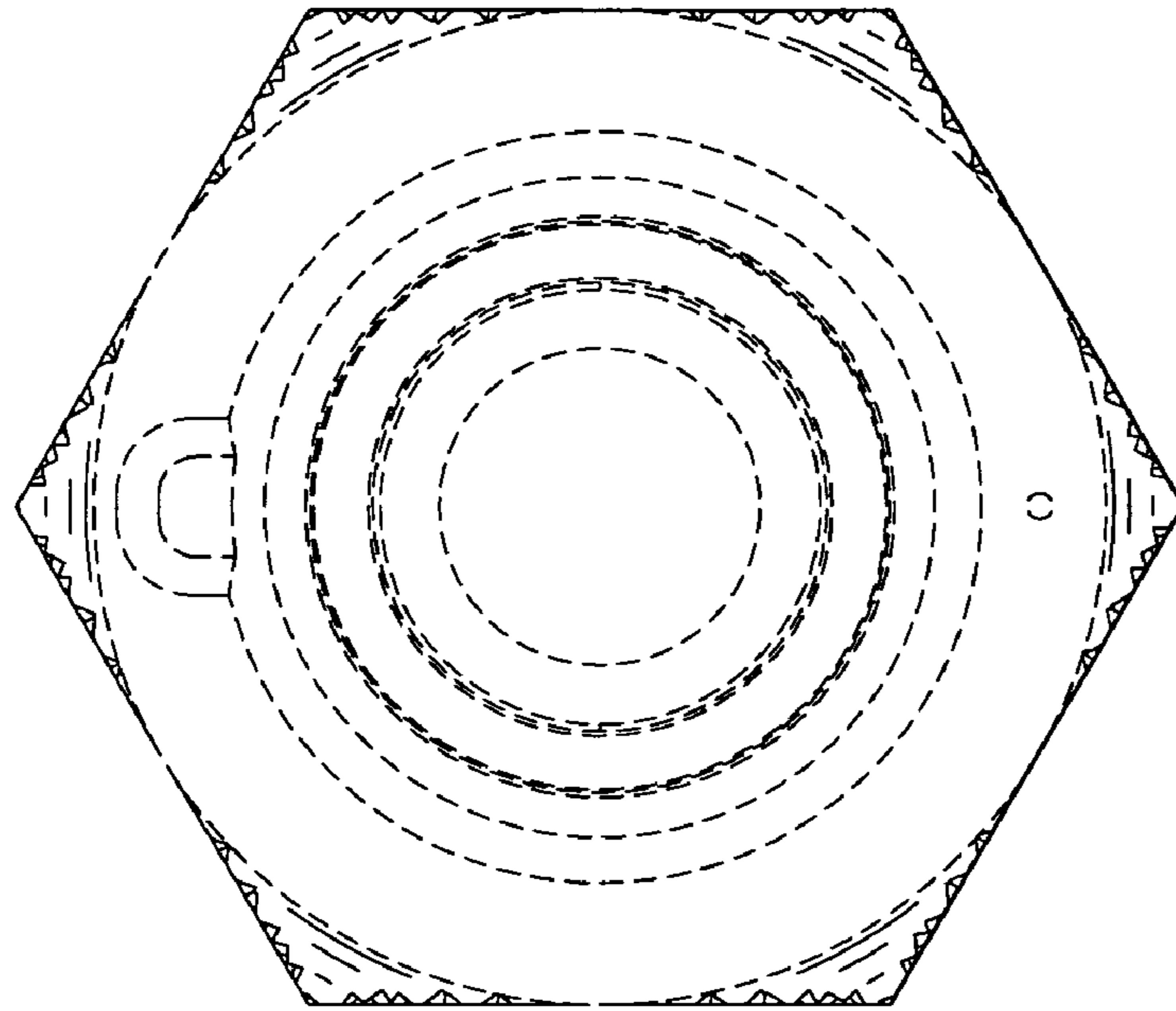


FIG. 4

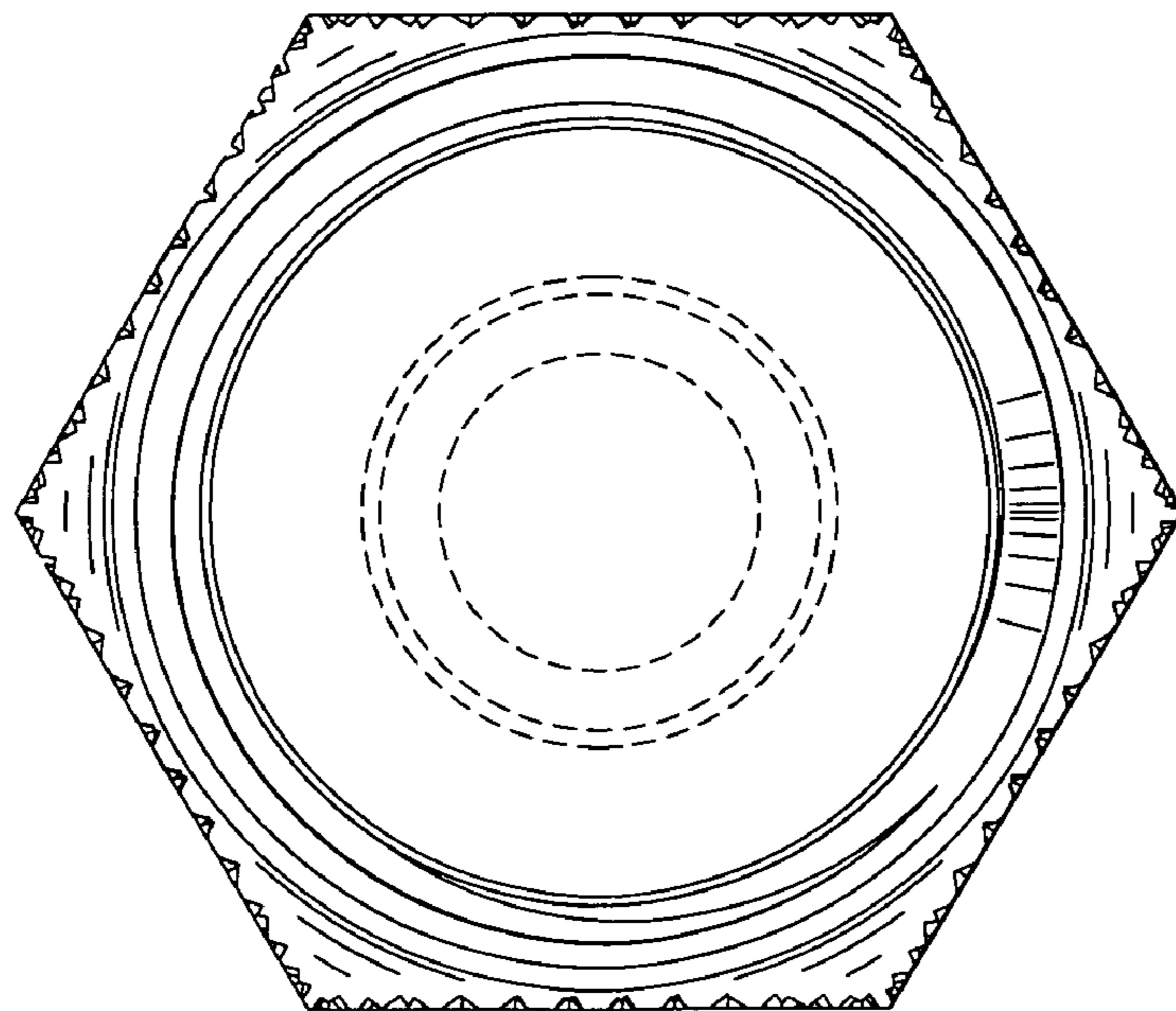


FIG. 2

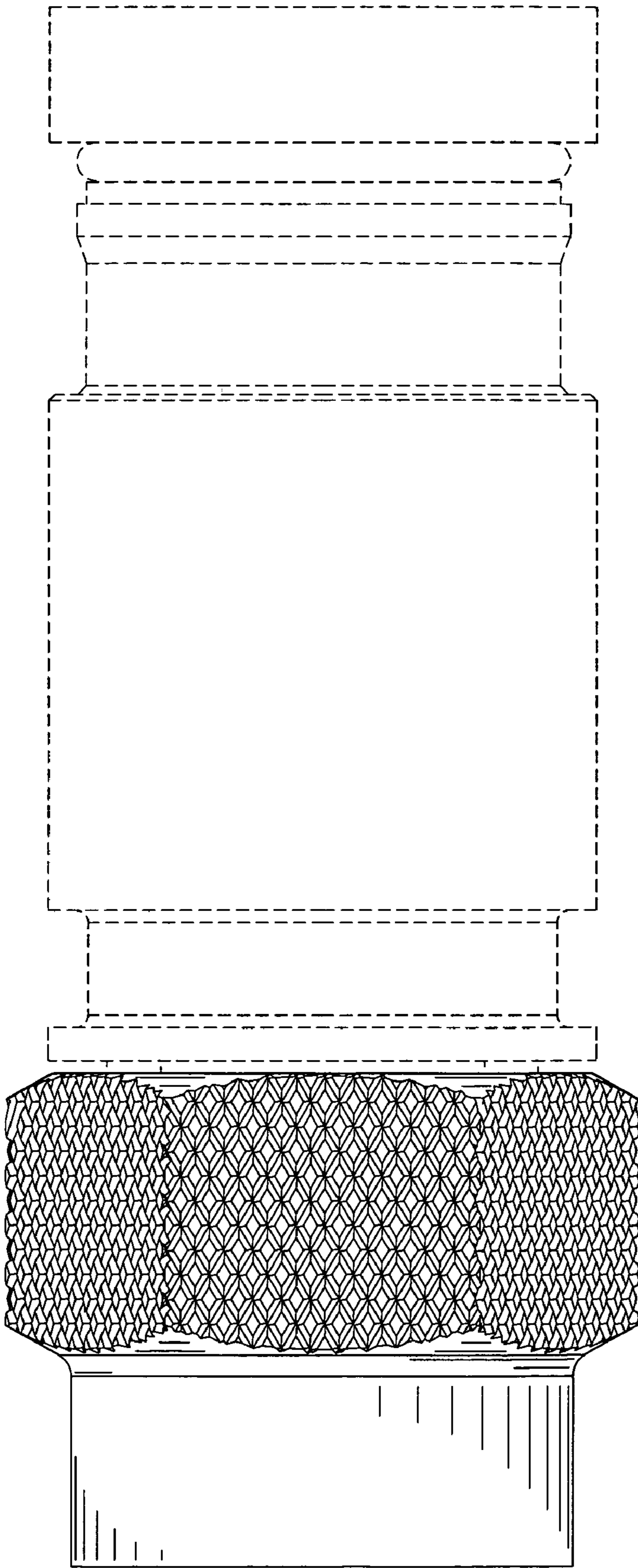


FIG. 3

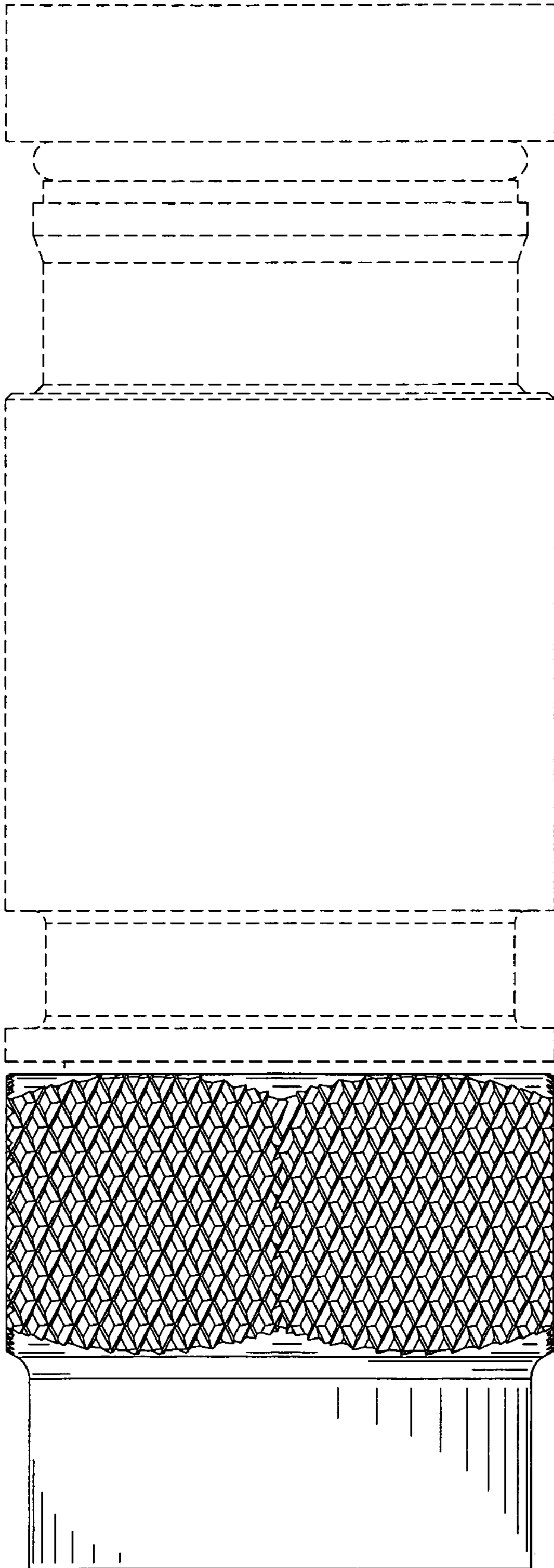


FIG. 5

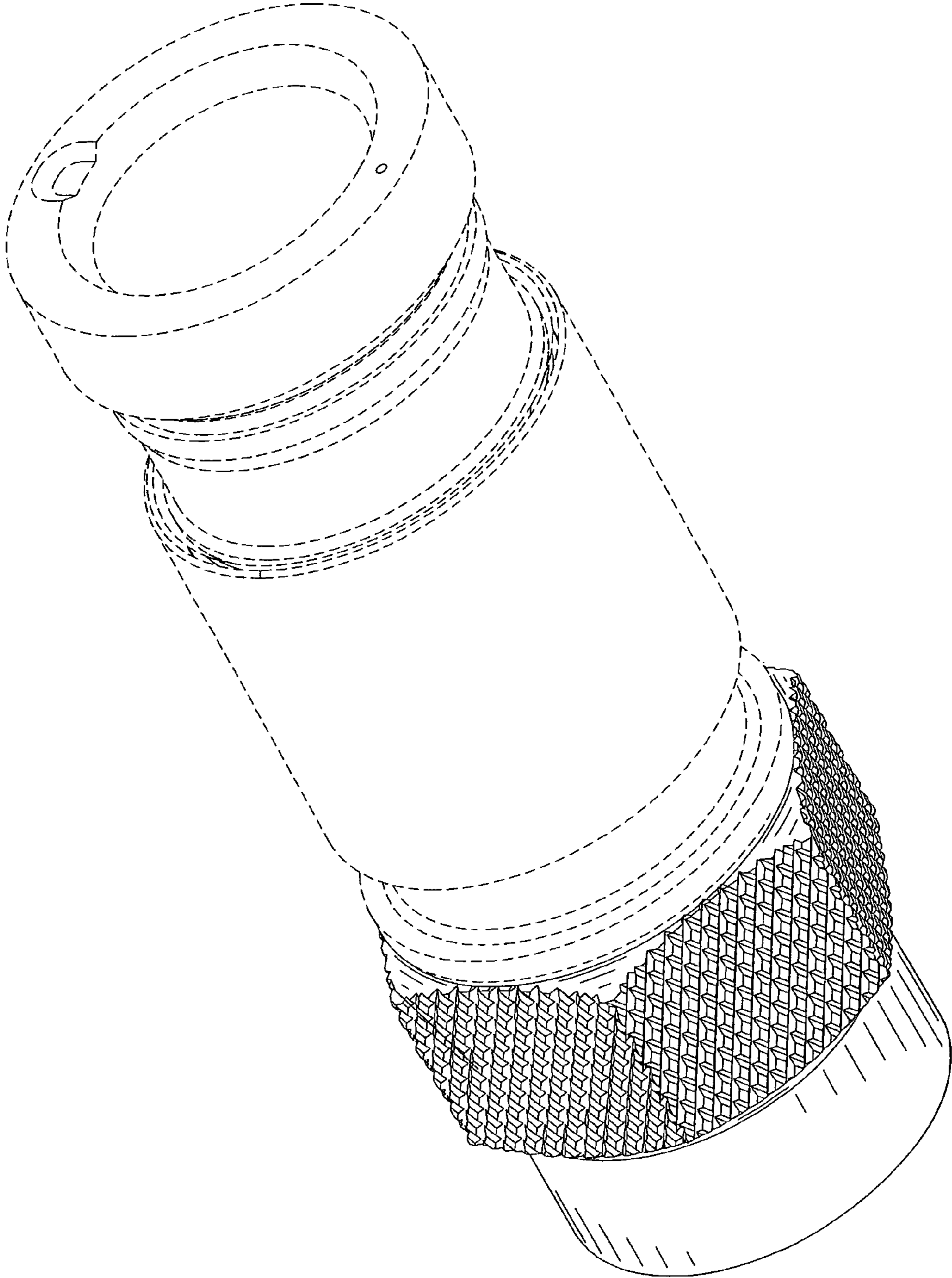


FIG. 6