



US00D601094S

(12) **United States Design Patent**
Smith

(10) **Patent No.:** **US D601,094 S**

(45) **Date of Patent:** **** Sep. 29, 2009**

(54) **ELECTRICAL CONNECTOR**

(75) Inventor: **Lawrence J. Smith**, Stamford, CT (US)

(73) Assignee: **Bridgeport Fittings, Inc.**, Stratford, CT (US)

(**) Term: **14 Years**

(21) Appl. No.: **29/308,573**

(22) Filed: **Jun. 24, 2008**

(51) **LOC (9) Cl.** **13-03**

(52) **U.S. Cl.** **D13/149; D13/133**

(58) **Field of Classification Search** D13/133,
D13/151, 154, 184; 439/92, 142, 320, 535,
439/557; D8/330, 331, 382, 383, 394, 395;
248/49, 74.1, 62, 63; 174/65 R, 65 G, 68.1,
174/68.3, 69, 71 R, 72 C

See application file for complete search history.

(56) **References Cited**

U.S. PATENT DOCUMENTS

1,295,304	A *	2/1919	Grindle	285/154.4
D319,813	S *	9/1991	Kozono	D13/133
D326,640	S *	6/1992	Ohkura et al.	D13/133
D336,282	S *	6/1993	Guginsky	D13/133
D339,793	S *	9/1993	Nardi et al.	D13/149
D404,362	S *	1/1999	Auray et al.	D13/152

6,797,877	B1 *	9/2004	Burnette	174/480
6,916,988	B1 *	7/2005	Auray et al.	174/665
7,161,095	B1 *	1/2007	Gretz	174/655
D549,649	S *	8/2007	Ciancanelli et al.	D13/136
2008/0149388	A1 *	6/2008	Kiely et al.	174/659

* cited by examiner

Primary Examiner—Daniel D Bui

Assistant Examiner—Thomas J Johannes

(74) *Attorney, Agent, or Firm*—Melvin I. Stoltz

(57) **CLAIM**

The ornamental design for an electrical connector, as shown and described.

DESCRIPTION

FIG. 1 is a top plan view of an electrical connector showing my new design;

FIG. 2 is a side elevational view thereof, the opposite side being a mirror image;

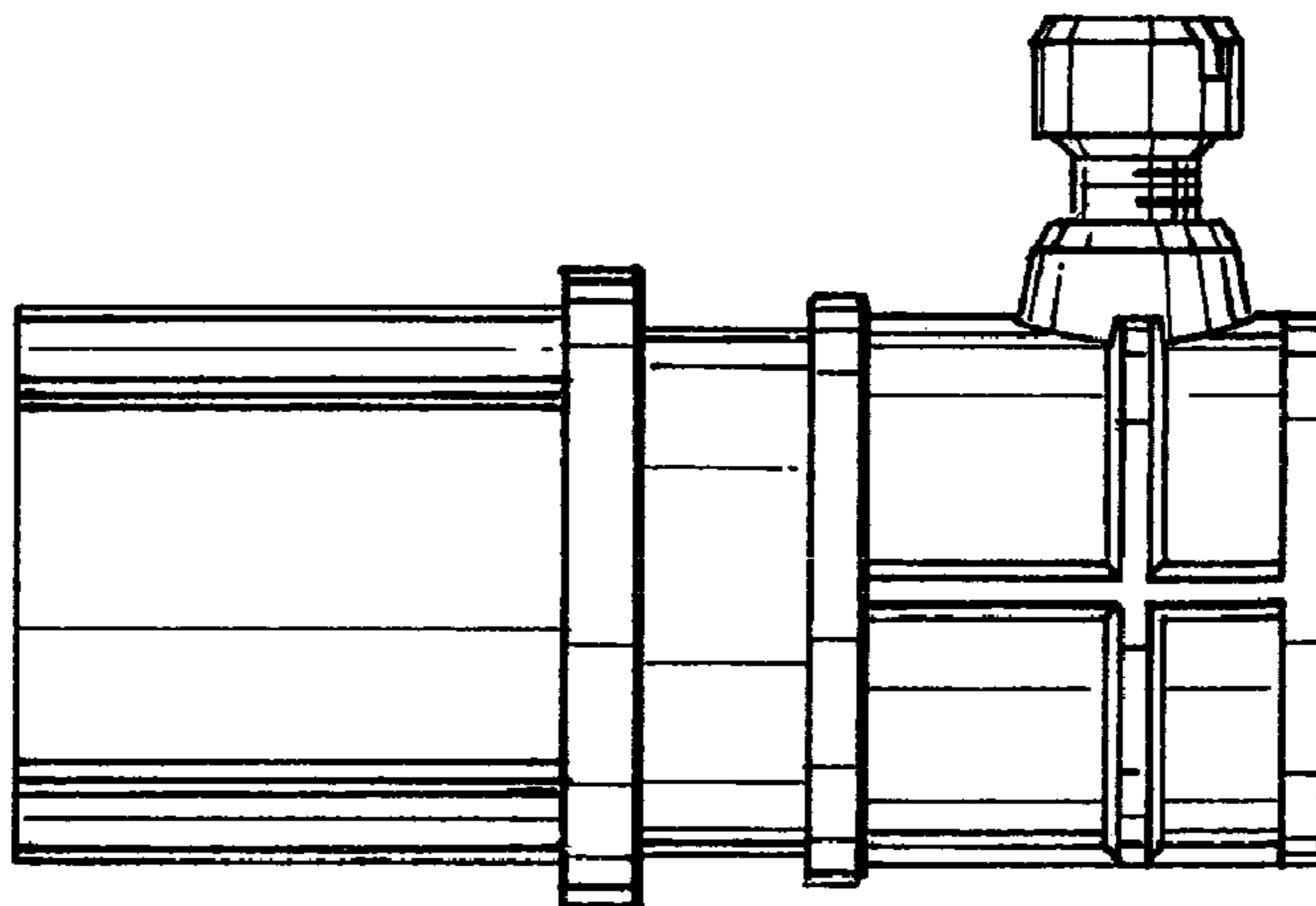
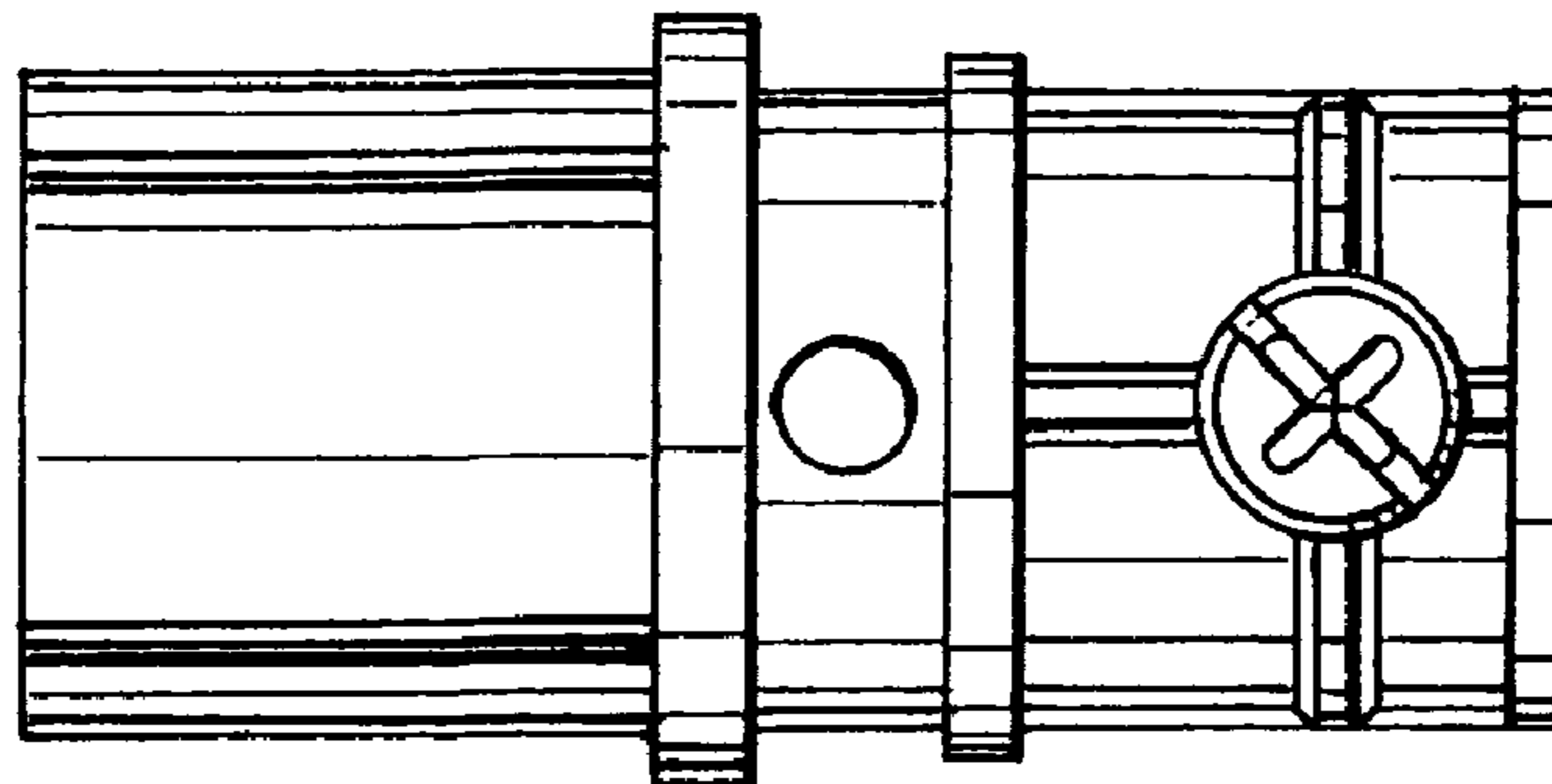
FIG. 3 is a bottom plan view thereof;

FIG. 4 is a front elevation view; and,

FIG. 5 is a rear elevation view thereof.

The broken line showing in the figure drawings is included to show unclaimed subject matter and forms no part of the claimed design.

1 Claim, 2 Drawing Sheets



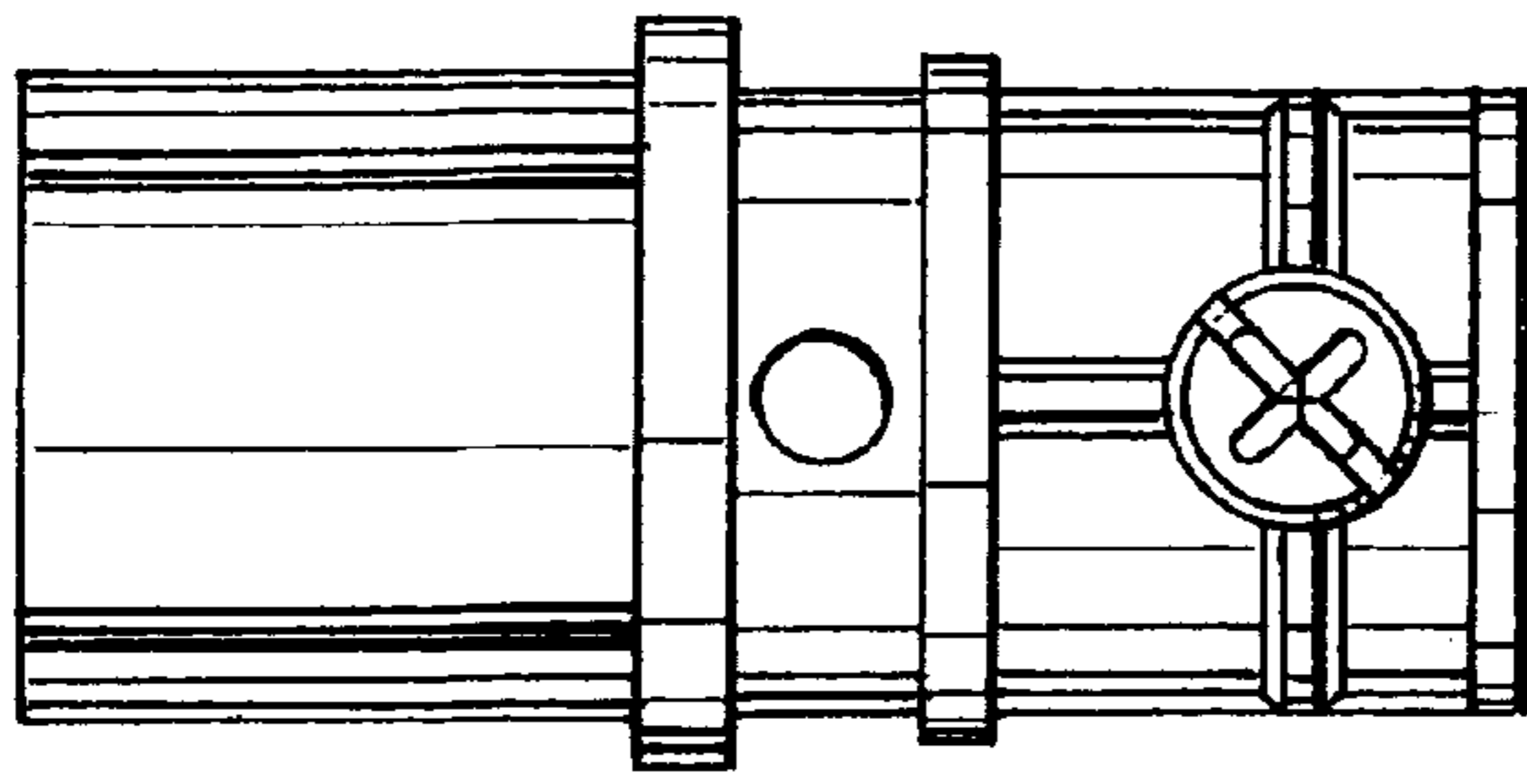


FIG. 1

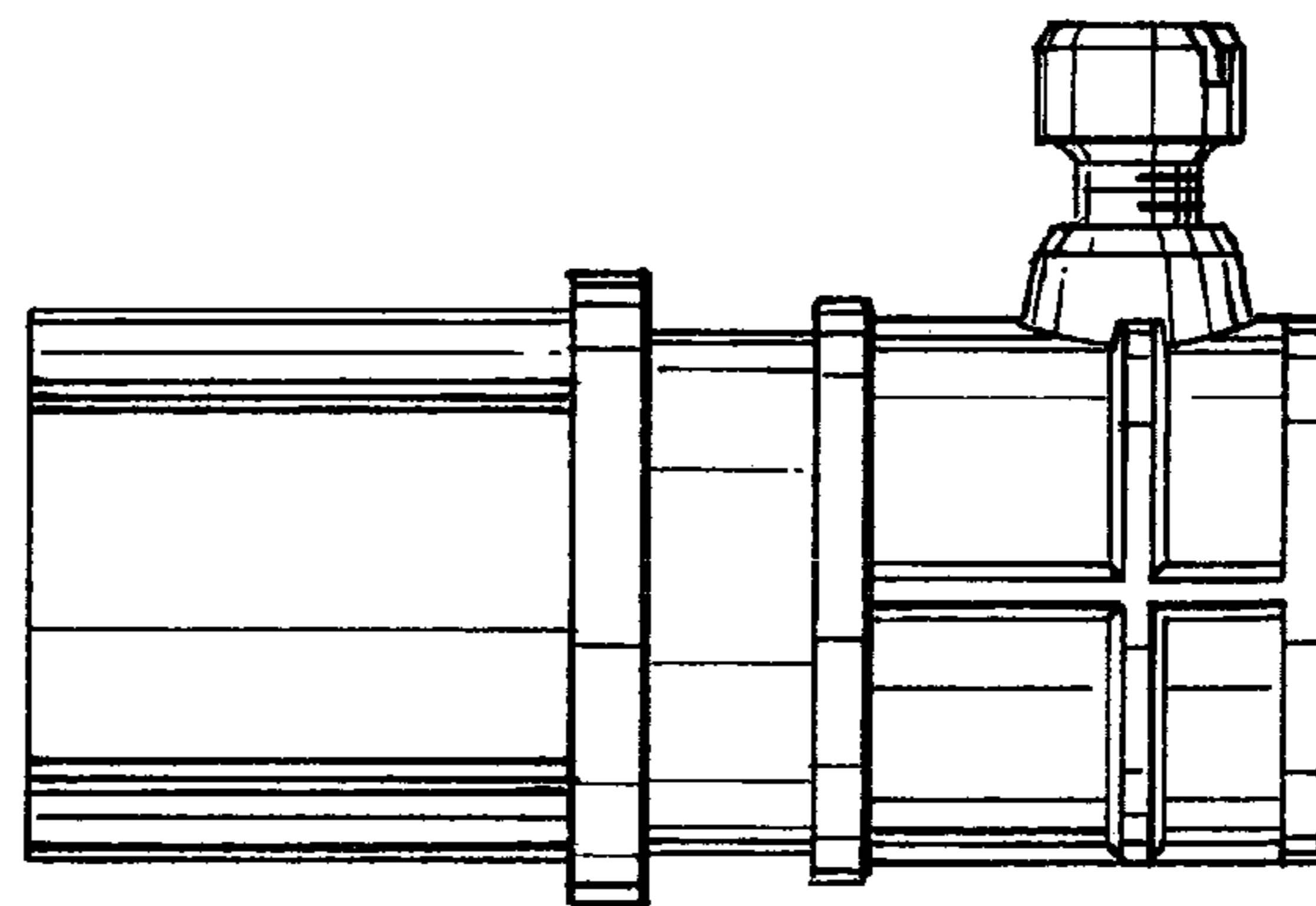


FIG. 2

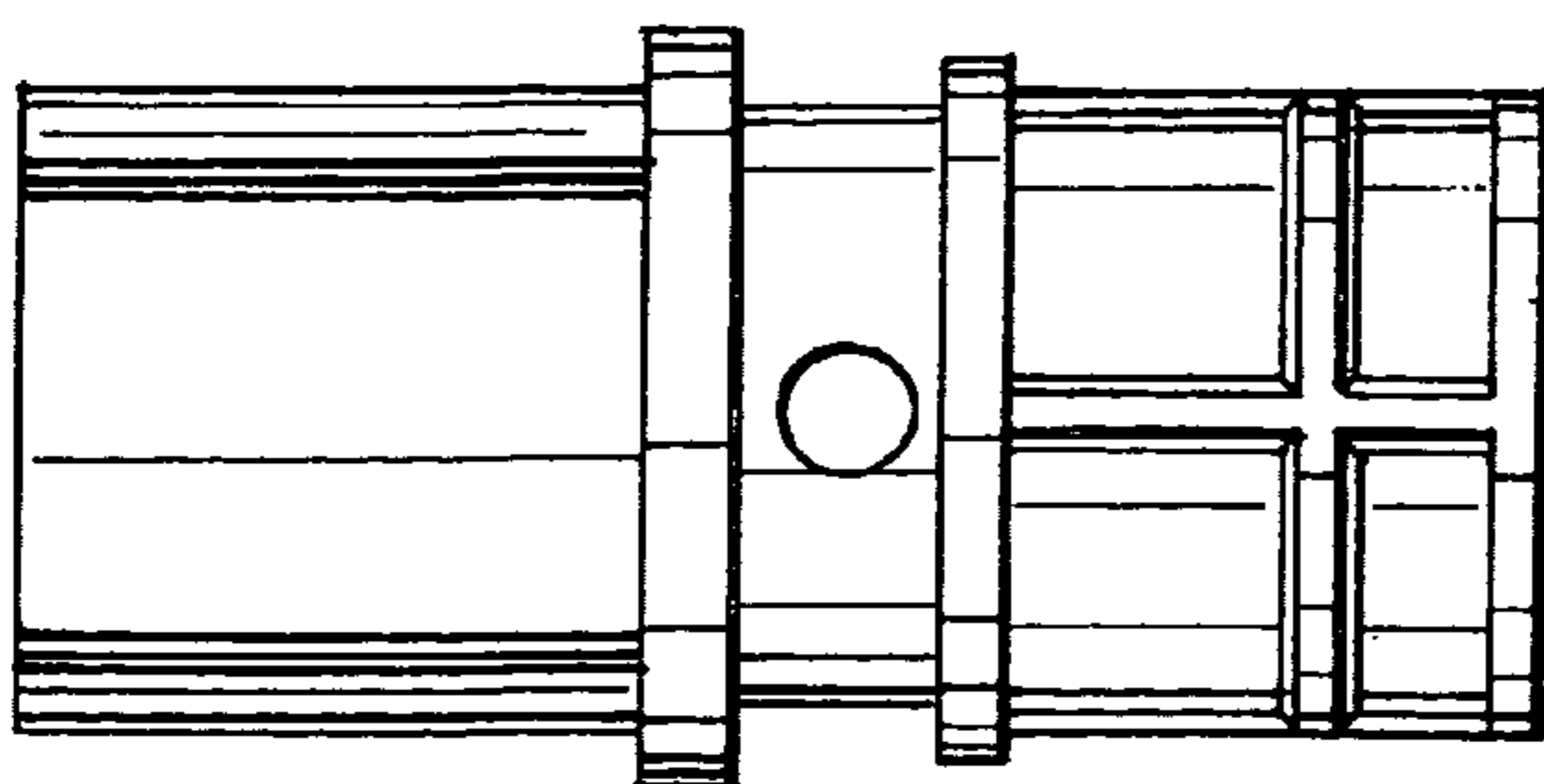


FIG. 3

FIG. 4

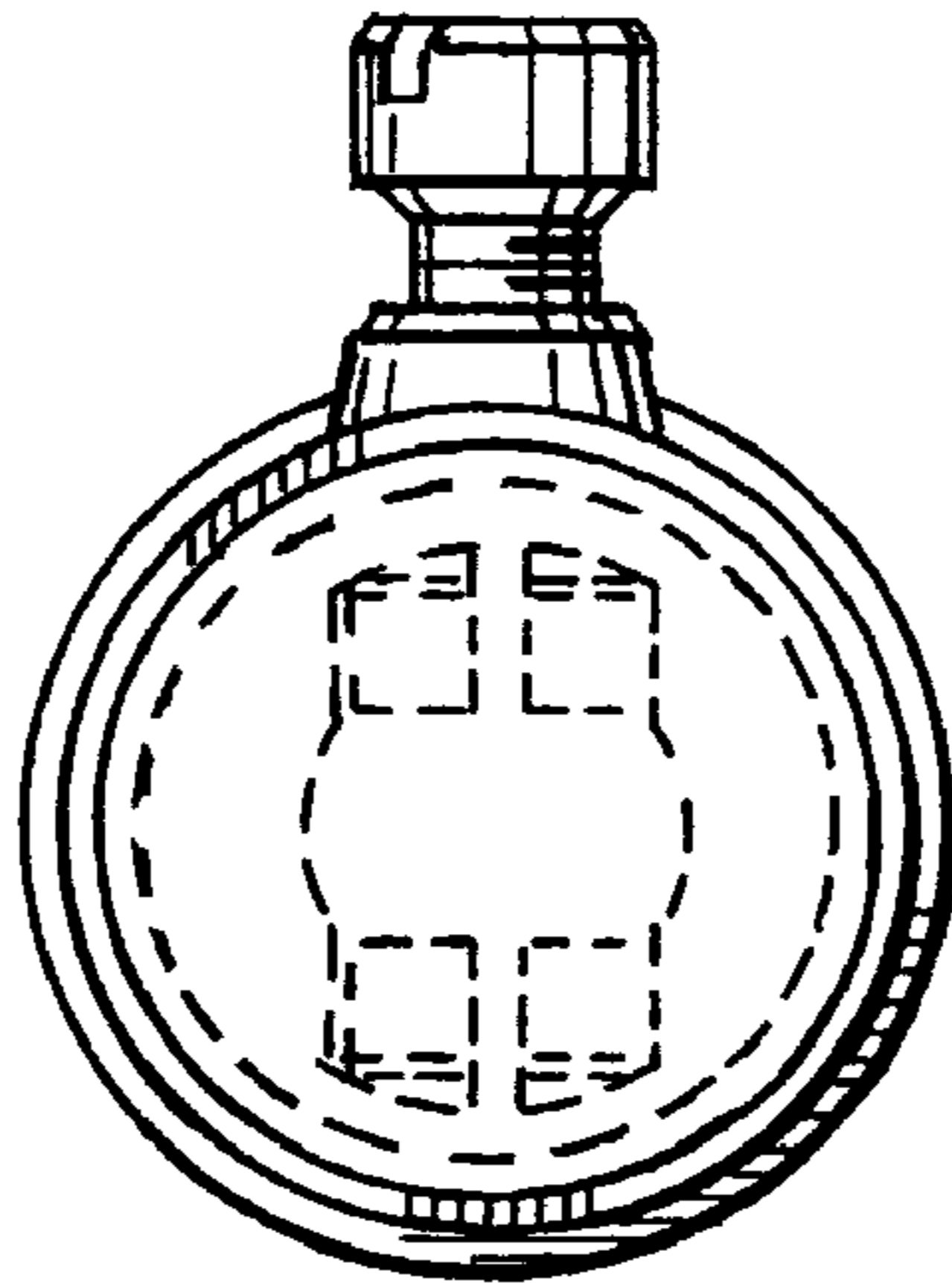


FIG. 5

