



US00D601090S

(12) **United States Design Patent**
Vigorito et al.

(10) **Patent No.:** **US D601,090 S**
(45) **Date of Patent:** **** Sep. 29, 2009**

(54) **ELECTRICAL CONNECTOR**

(75) Inventors: **Thomas J. Vigorito**, Bridgeport, CT (US); **Thomas W. Bracci**, Trumbull, CT (US)

(73) Assignee: **Hubbell Incorporated**, Orange, CT (US)

(**) Term: **14 Years**

(21) Appl. No.: **29/306,731**

(22) Filed: **Apr. 15, 2008**

(51) **LOC (9) Cl.** **13-03**

(52) **U.S. Cl.** **D13/133**

(58) **Field of Classification Search** D13/133,
D13/146, 147, 154, 184, 199; 439/314-322,
439/680, 752

See application file for complete search history.

(56) **References Cited**

U.S. PATENT DOCUMENTS

2,626,299 A 1/1953 Richards

(Continued)

OTHER PUBLICATIONS

PermaTite 2, Ericson Manufacturing Company brochure, 2004.

Primary Examiner—Daniel D Bui

Assistant Examiner—Thomas J Johannes

(74) *Attorney, Agent, or Firm*—Garrett V. Davis; Mark S. Bicks; Alfred N. Goodman

(57) **CLAIM**

The ornamental design for the electrical connector, as shown and described.

DESCRIPTION

FIG. 1 is a perspective view of an electrical connector showing our new design, showing the first and second portions of the electrical connector coupled together;

FIG. 2 is a front elevational view thereof;

FIG. 3 is a rear elevational view thereof;

FIG. 4 is a left side elevational view thereof;

FIG. 5 is a right side elevational view thereof;

FIG. 6 is a left side end view thereof;

FIG. 7 is a right side end view thereof;

FIG. 8 is a perspective view of the first portion of the electrical connector of FIG. 1, shown separately for clarity of detail;

FIG. 9 is a front elevational view thereof;

FIG. 10 is a rear elevational view thereof;

FIG. 11 is a left side elevational view thereof;

FIG. 12 is a right side elevational view thereof;

FIG. 13 is a left side end view thereof;

FIG. 14 is a right side view thereof;

FIG. 15 is a perspective view of the second portion of the electrical connector of FIG. 1, shown separately for clarity of detail;

FIG. 16 is a top view thereof;

FIG. 17 is a front elevational view thereof;

FIG. 18 is a bottom view thereof;

FIG. 19 is a rear elevational view thereof;

FIG. 20 is a left end view thereof;

FIG. 21 is a right side view thereof;

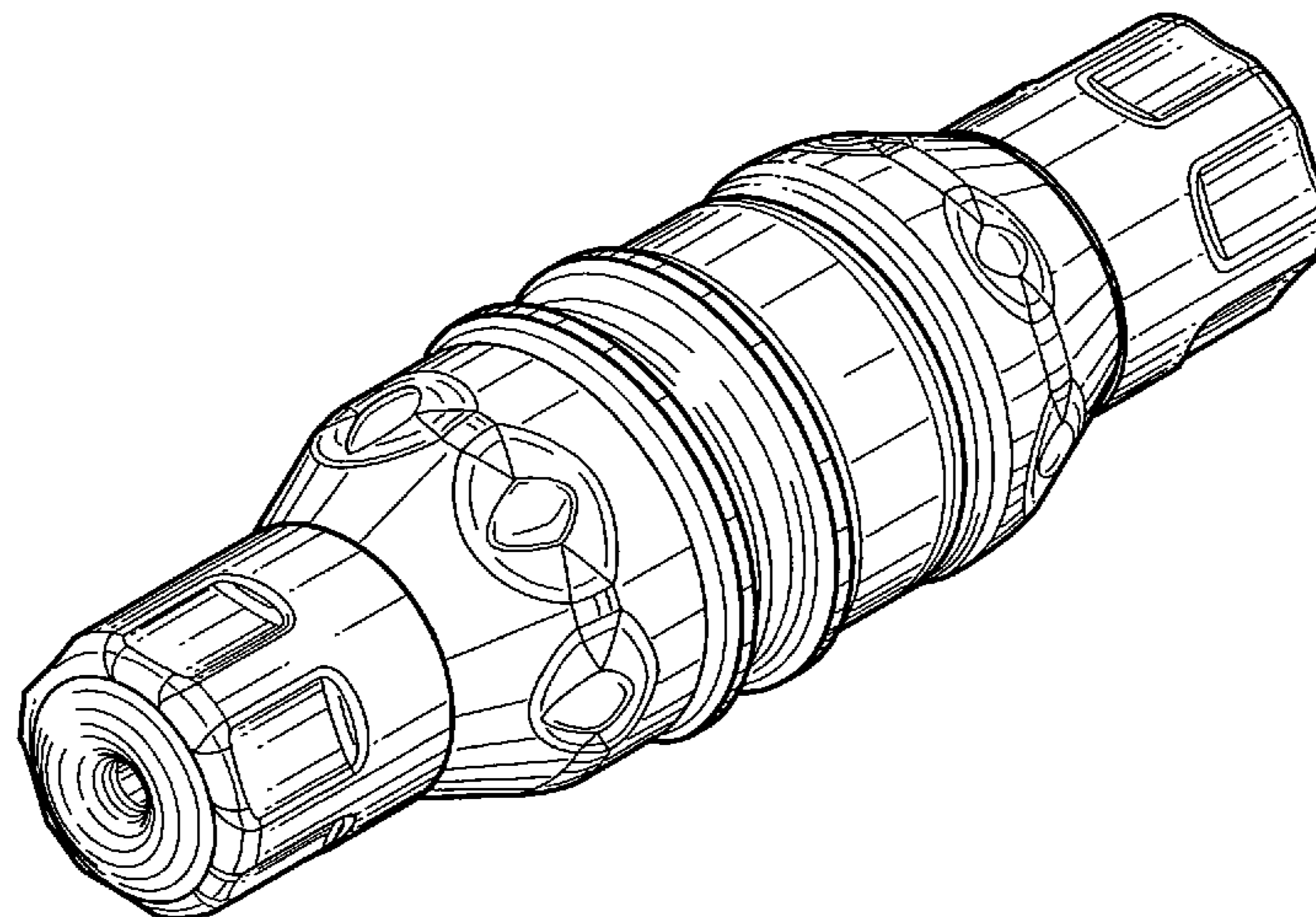
FIG. 22 is a front elevational view of the electrical connector of FIG. 1 showing a typical usage condition with protective caps and an electrical core in phantom lines;

FIG. 23 is a perspective view of the first portion of the electrical connector of FIG. 8 showing a typical usage condition with a protective cap in phantom lines coupled to the connector; and,

FIG. 24 is a perspective view of the second portion of the electrical connector of FIG. 15 showing a typical usage condition with a protective cap in phantom lines coupled to the connector.

The broken line portions of the figure drawings are included to show unclaimed subject matter and environmental usage detail only and form no part of the claimed design.

1 Claim, 6 Drawing Sheets



US D601,090 S

Page 2

U.S. PATENT DOCUMENTS

2,639,313 A	5/1953	Street, Jr.		4,795,360 A	1/1989	Newman et al.	
2,881,406 A	4/1959	Arson		D322,954 S	1/1992	Avramovich	
2,962,688 A	11/1960	Werner		5,098,310 A	3/1992	Avramovich et al.	
3,020,516 A	2/1962	Despard		D334,172 S	3/1993	Wilcoxon	
3,046,512 A	7/1962	Remke et al.		5,405,172 A	4/1995	Mullen, Jr.	
3,120,987 A	2/1964	Degnan et al.		D374,427 S *	10/1996	Sandor et al.	D13/133
D204,674 S *	5/1966	Trimble	D13/133	5,641,310 A	6/1997	Tiberio, Jr.	
3,297,975 A *	1/1967	Pope	439/282	5,743,759 A	4/1998	Pudims et al.	
3,452,321 A	6/1969	Carissimi et al.		5,857,865 A	1/1999	Shimirak et al.	
3,601,761 A	8/1971	Harris		5,863,221 A	1/1999	Castaldo	
3,665,368 A	5/1972	Ellis		6,017,243 A	1/2000	Castaldo	
3,678,439 A *	7/1972	Vetter	439/253	D461,448 S *	8/2002	Amin	D13/133
3,704,034 A	11/1972	Shire et al.		6,517,373 B2	2/2003	Finke et al.	
3,880,487 A	4/1975	Goodman et al.		6,558,180 B2	5/2003	Nishimoto	
3,885,849 A *	5/1975	Bailey et al.	439/518	6,739,900 B2	5/2004	Mortun et al.	
D275,848 S *	10/1984	Ricossa	D13/133	7,097,500 B2	8/2006	Montena	
D278,230 S *	4/1985	Kominiak et al.	D13/133	7,134,894 B2	11/2006	Murphy et al.	
4,595,251 A *	6/1986	Moulin	439/289	7,175,459 B2	2/2007	Milner et al.	
4,684,192 A	8/1987	Long et al.		D585,376 S *	1/2009	Badger	D13/133

* cited by examiner

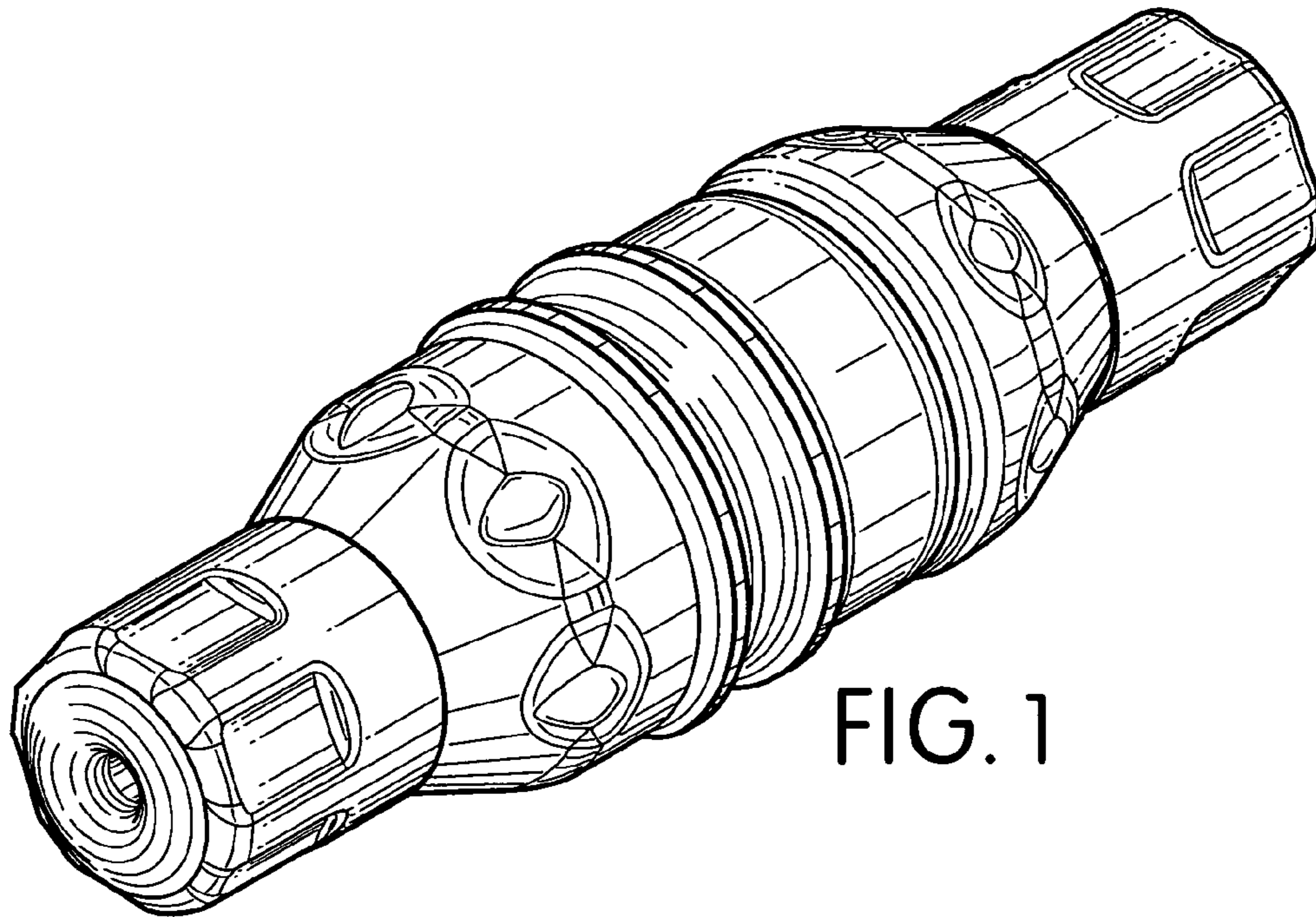


FIG. 1

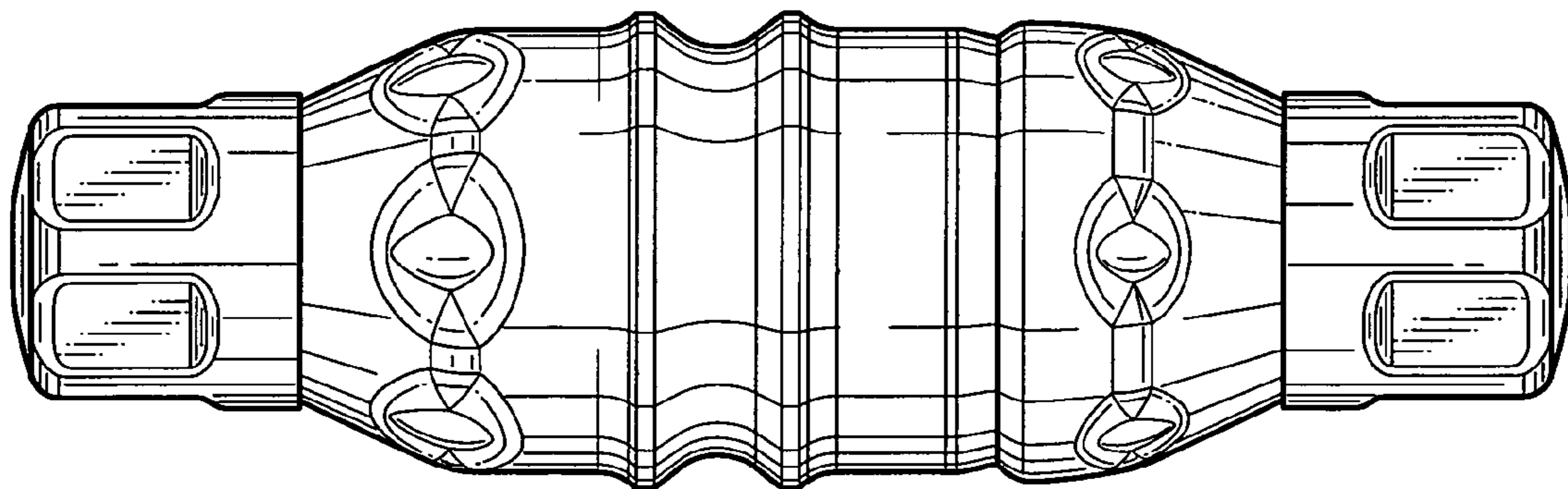


FIG. 2

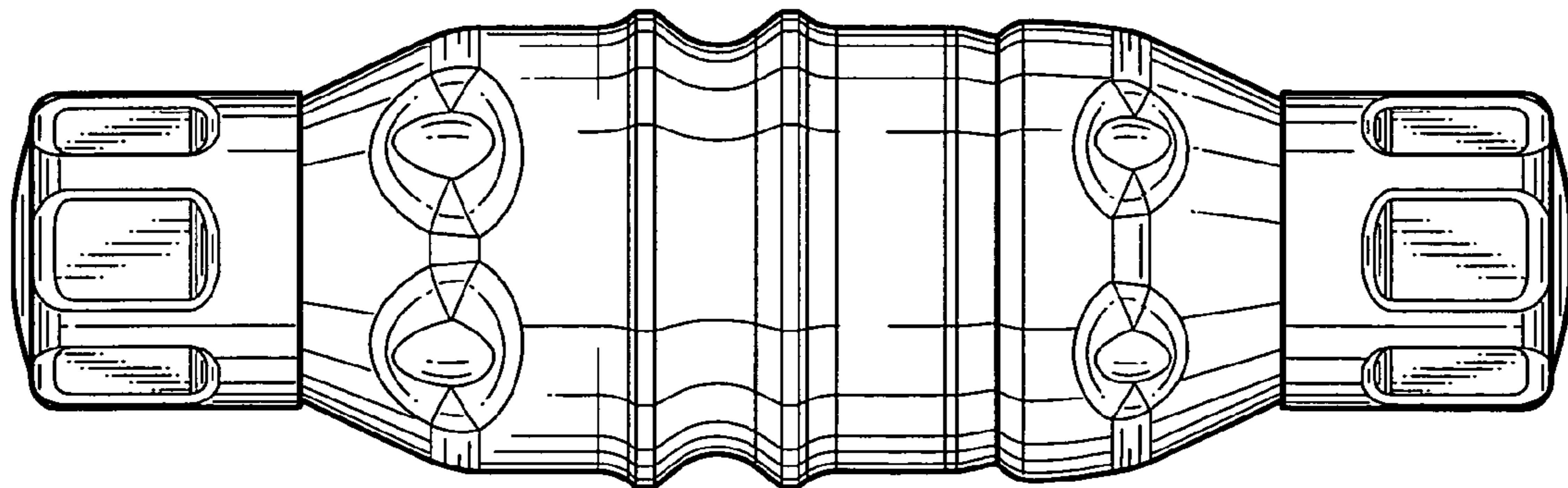


FIG. 3

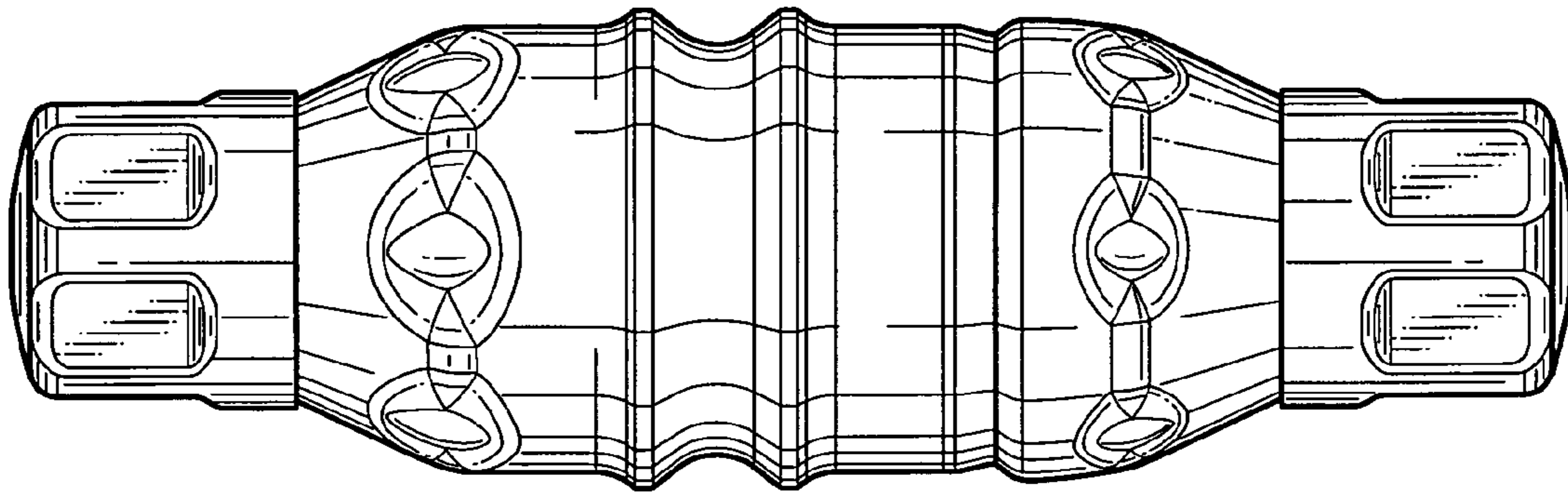


FIG. 4

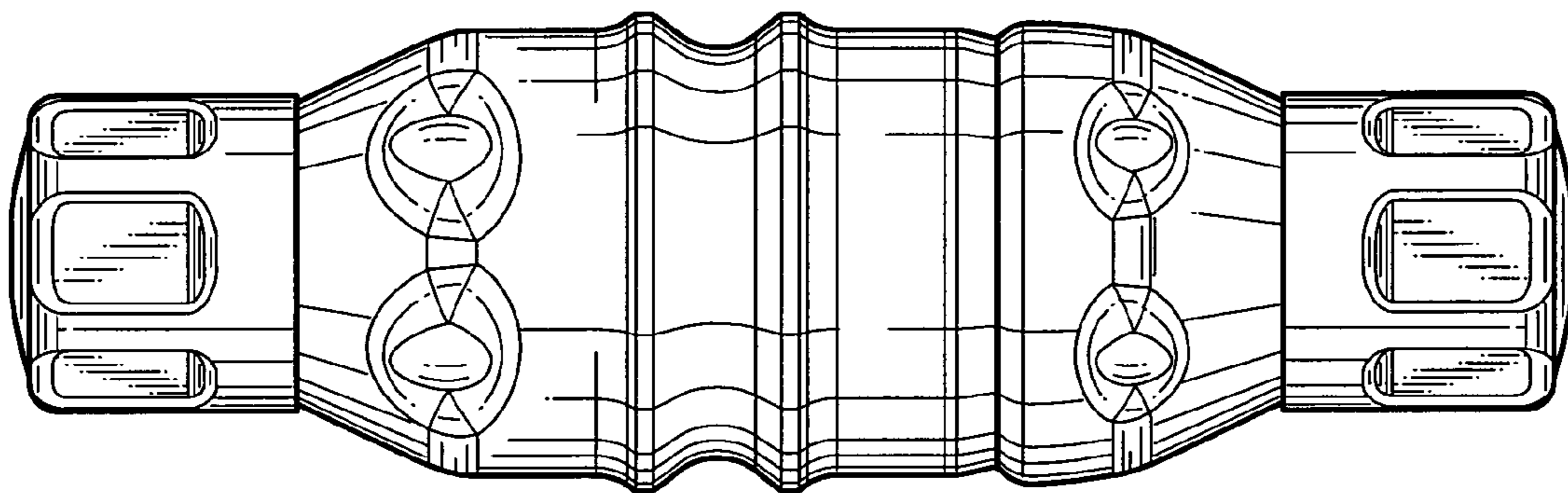


FIG. 5

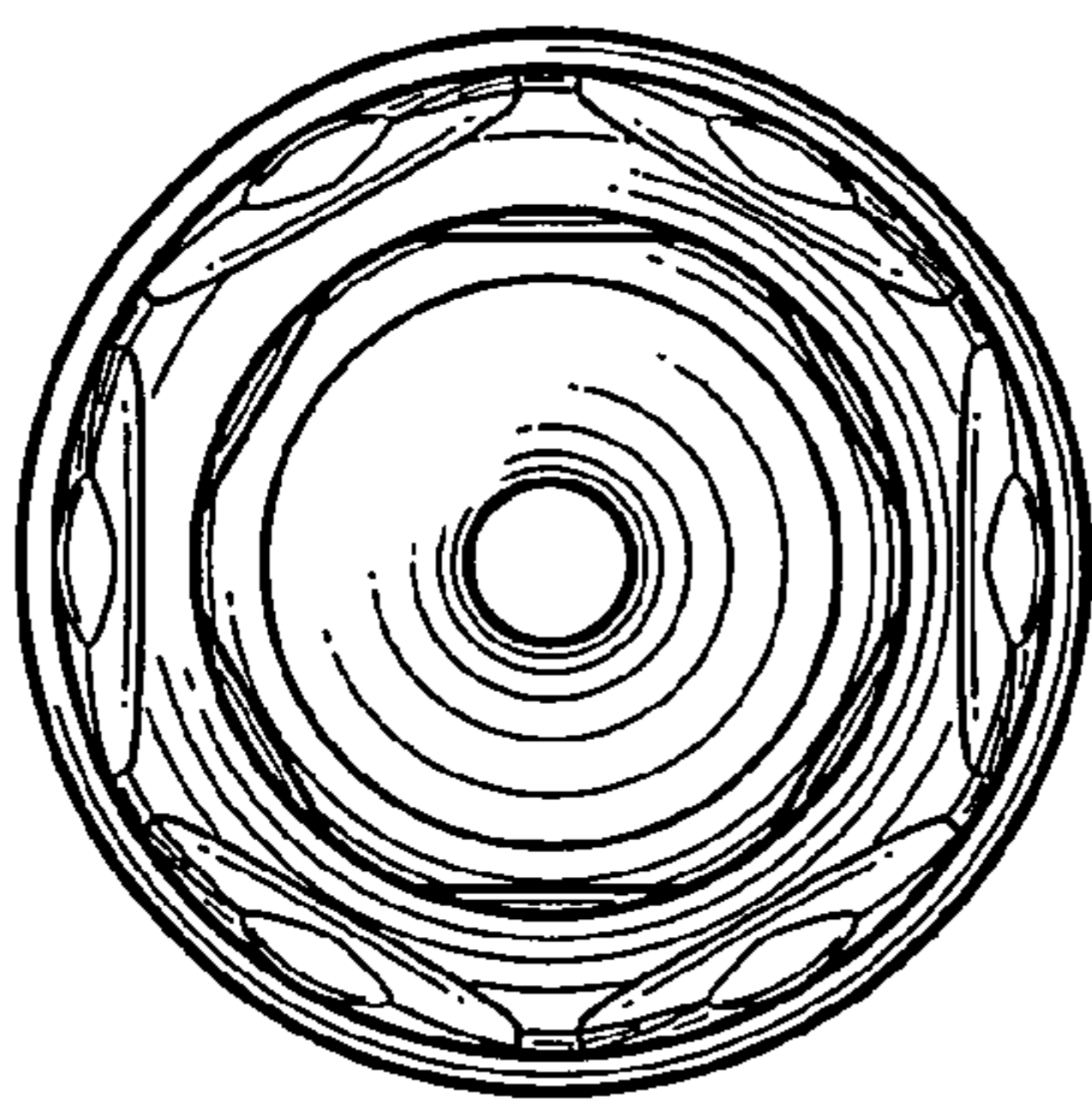


FIG. 6

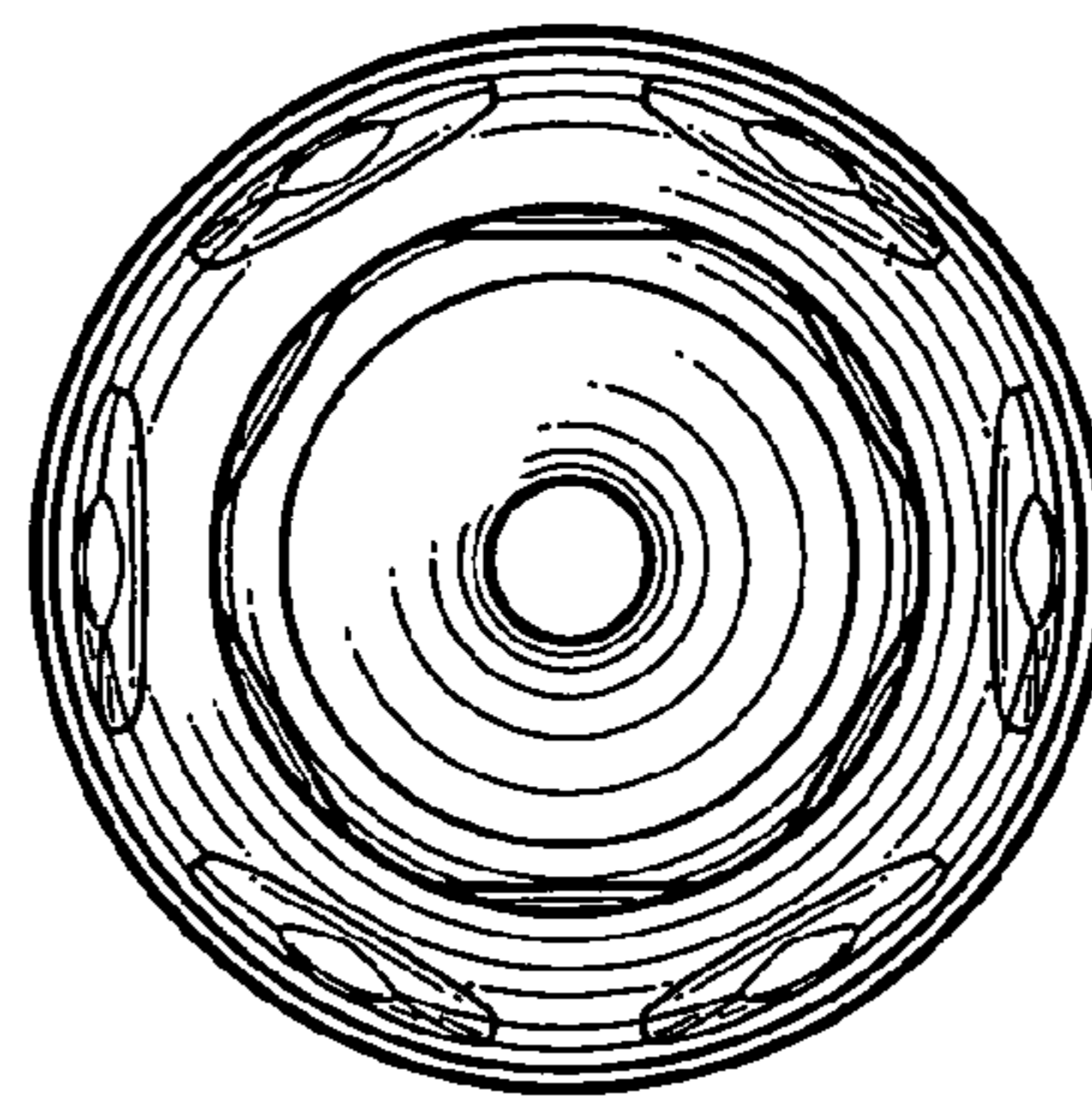


FIG. 7

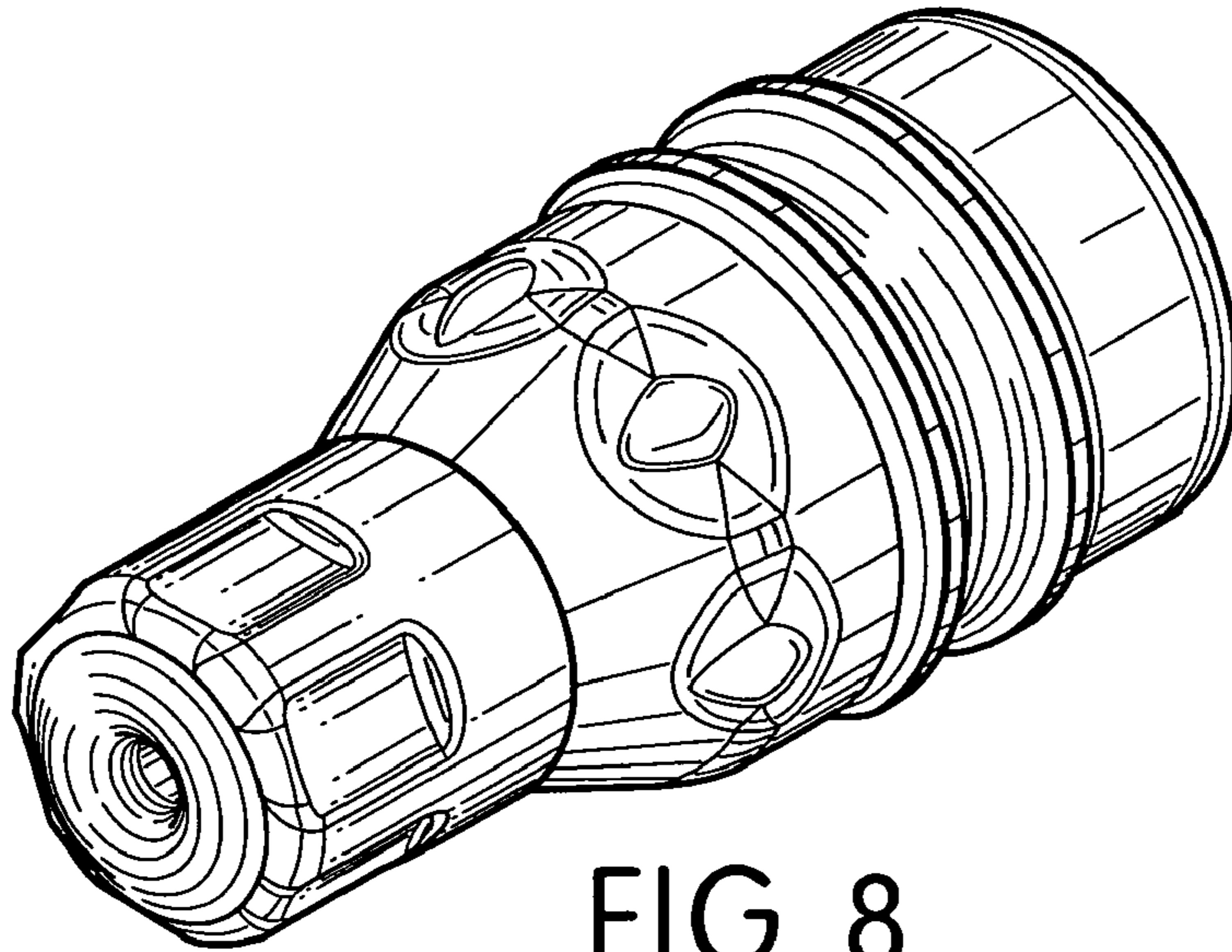


FIG. 8

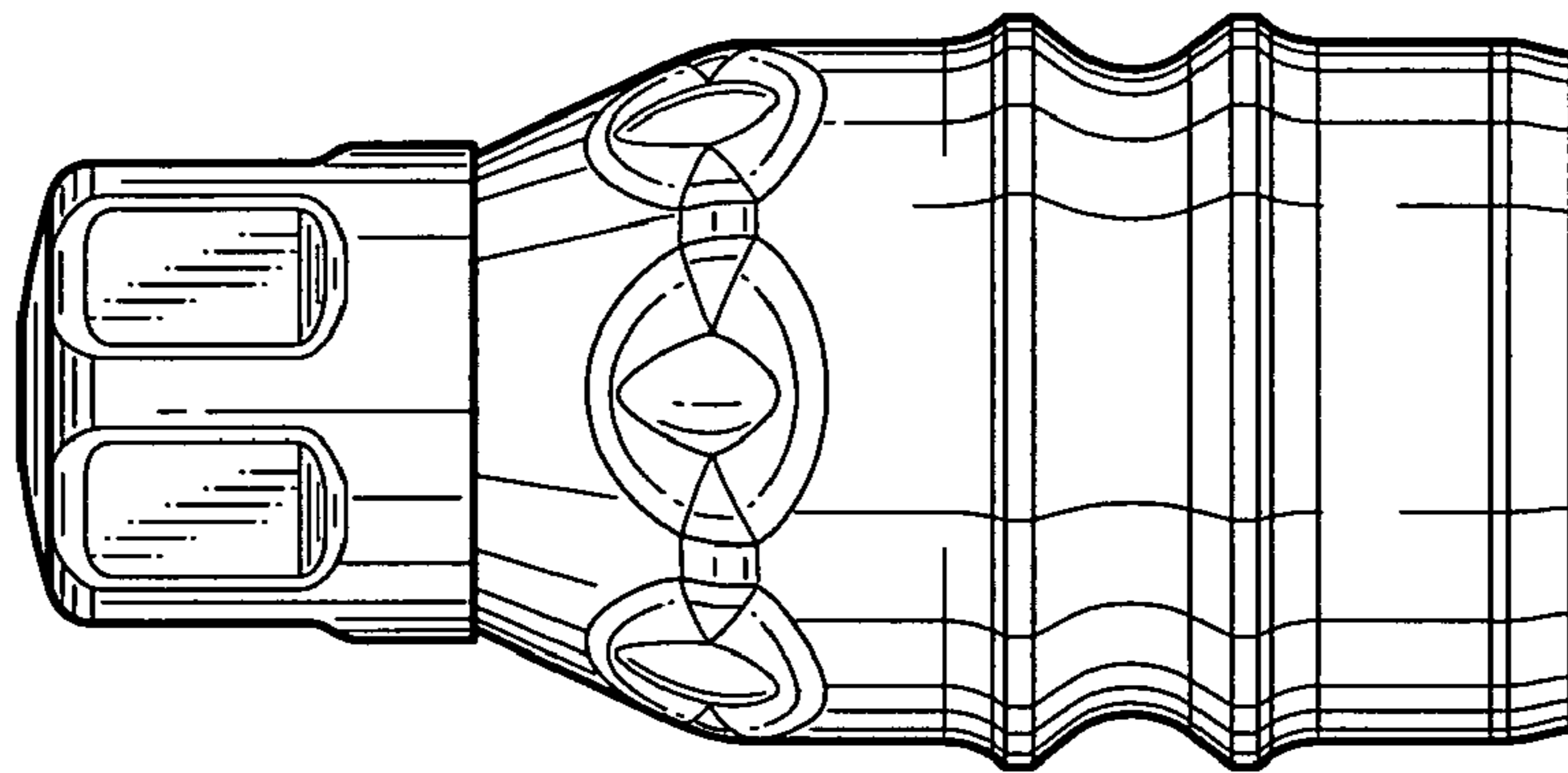


FIG. 9

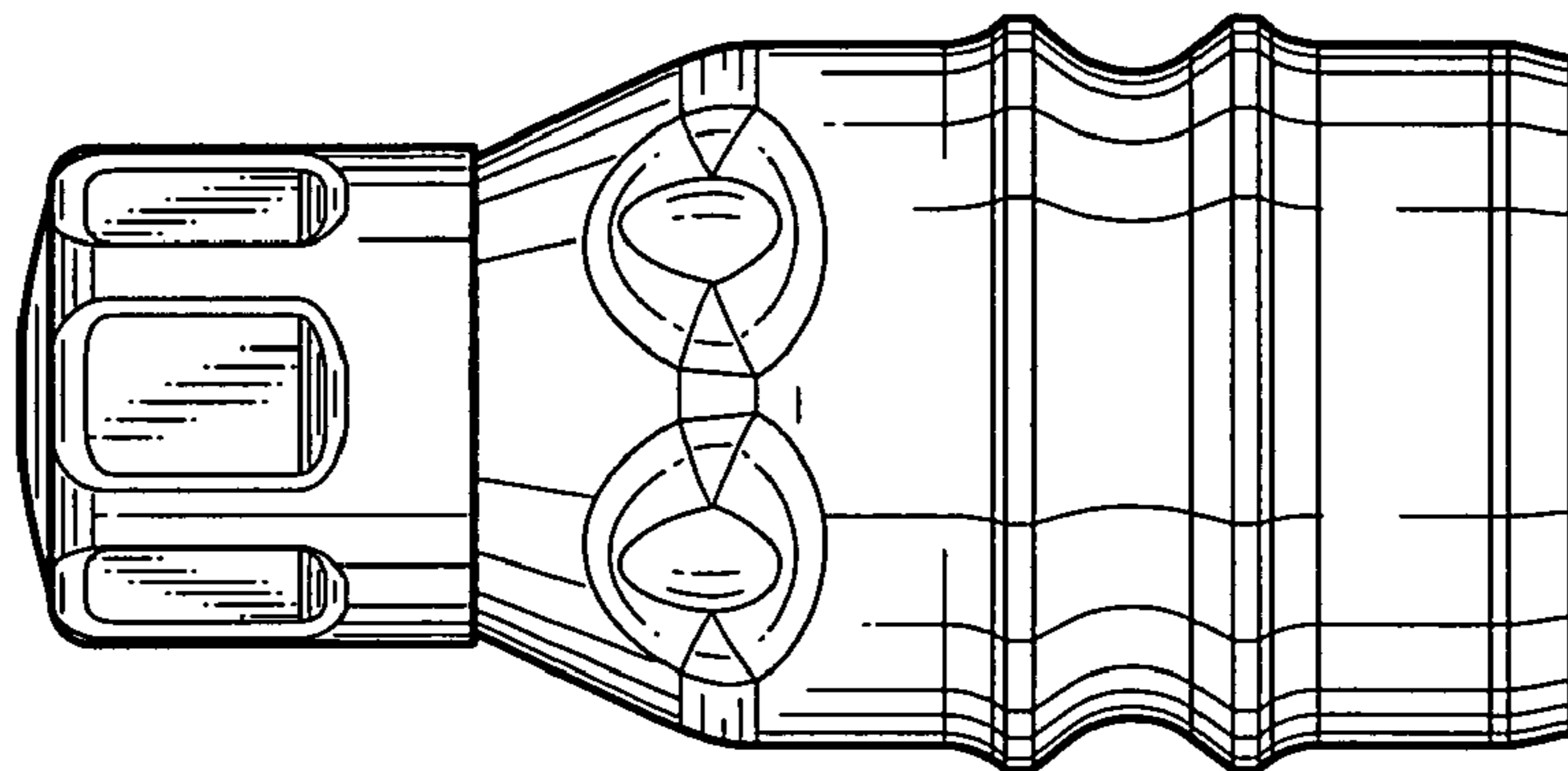


FIG. 10

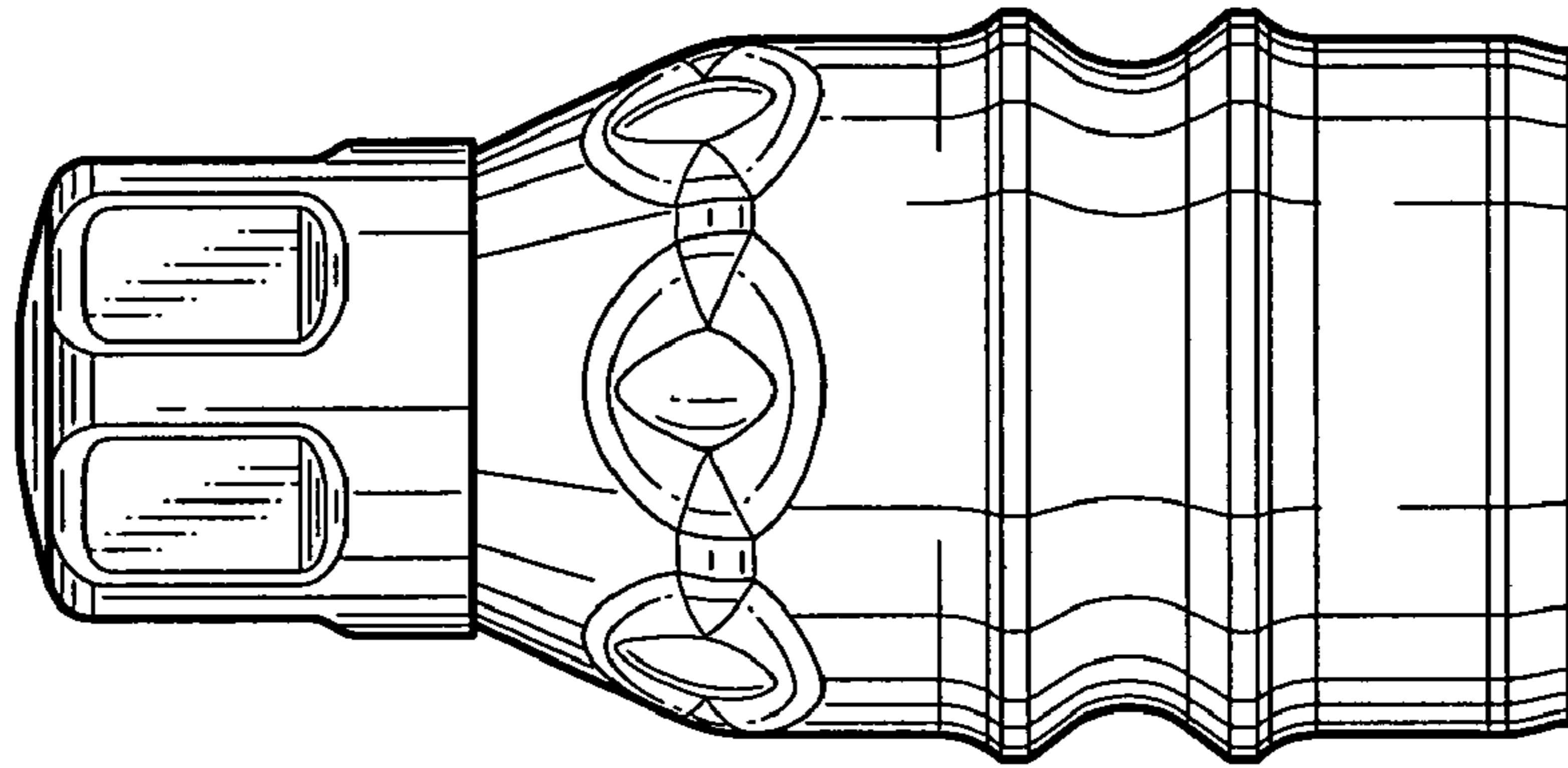


FIG. 11

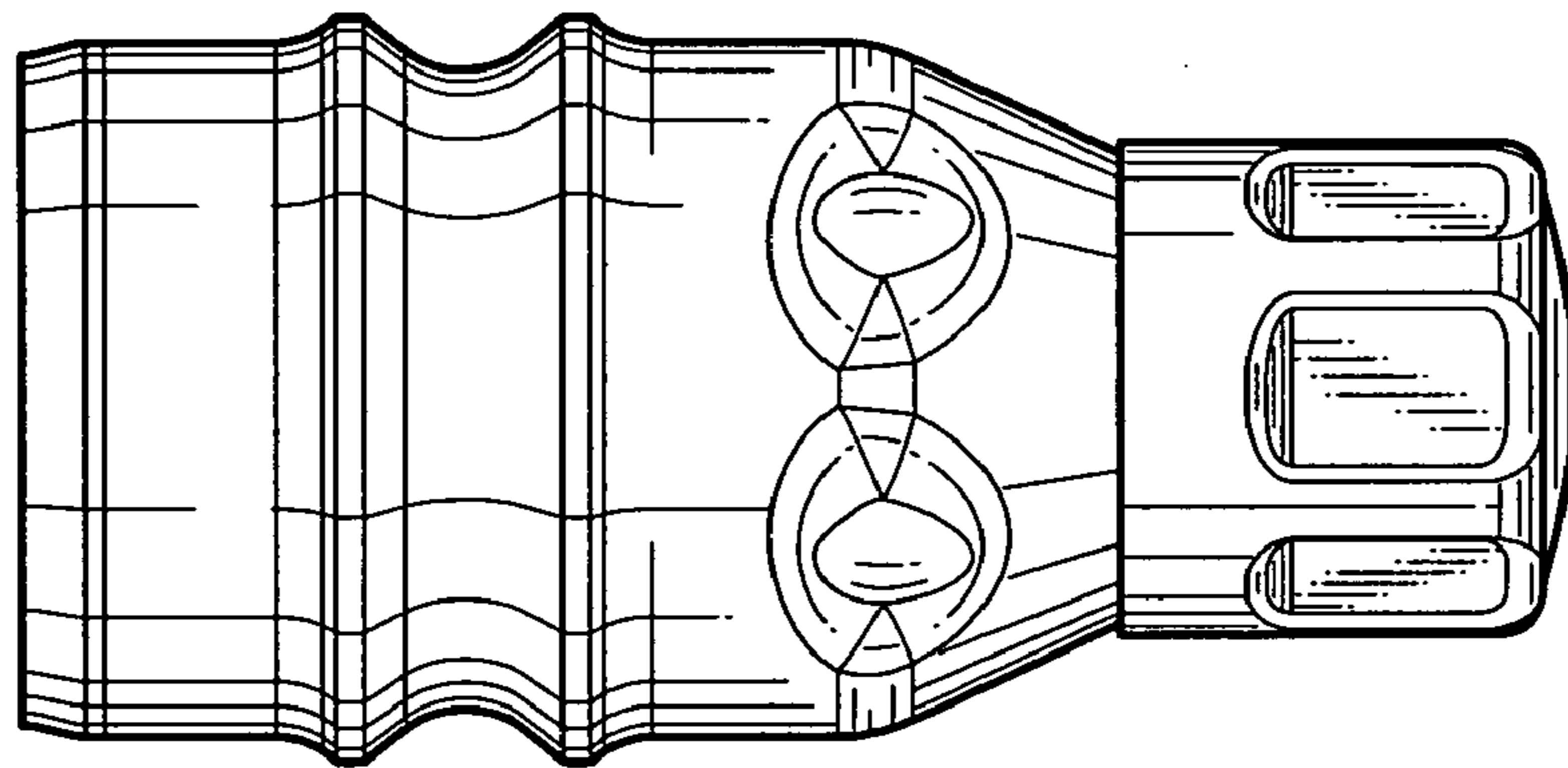


FIG. 12

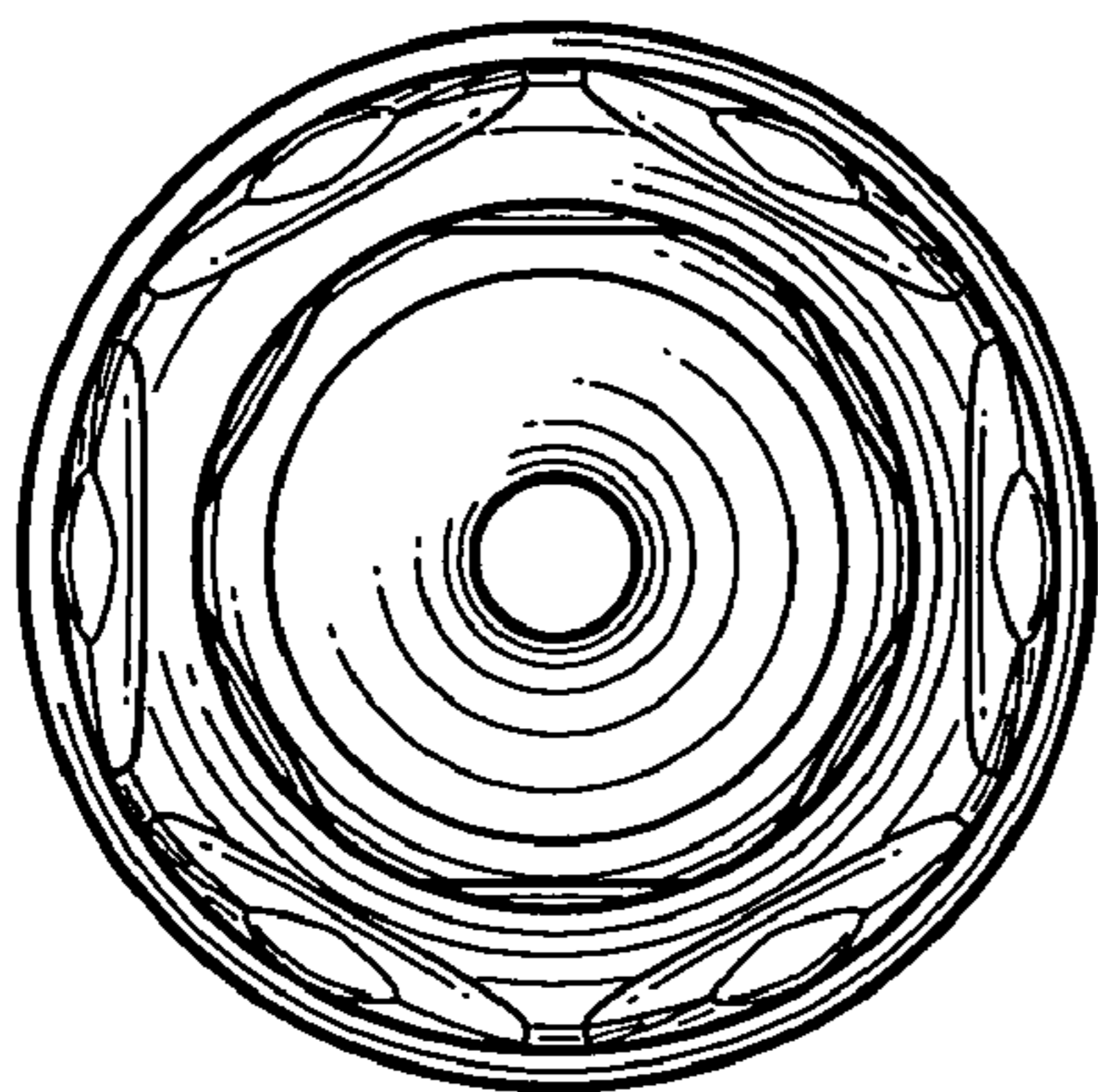


FIG. 13

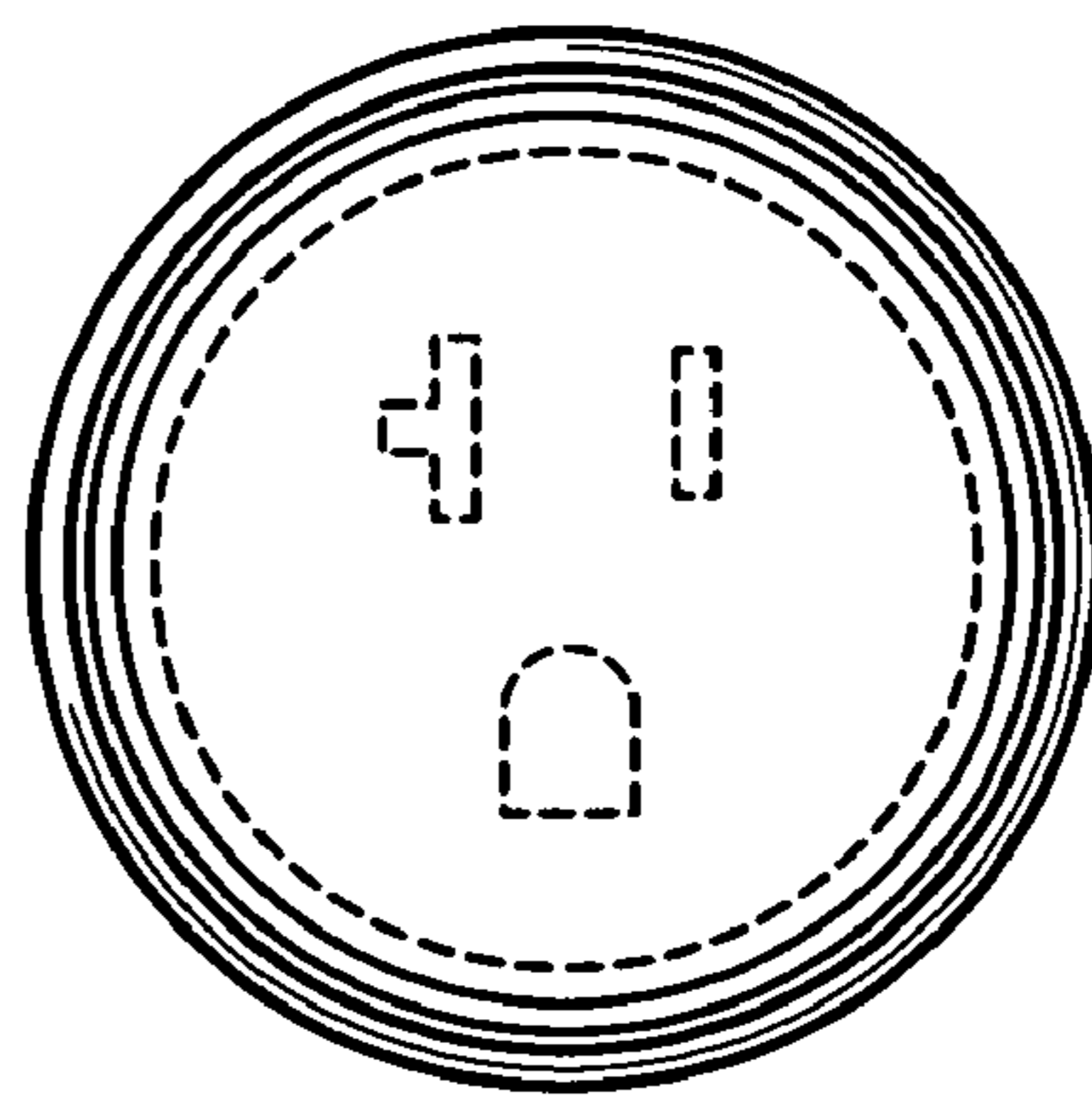


FIG. 14

FIG. 15

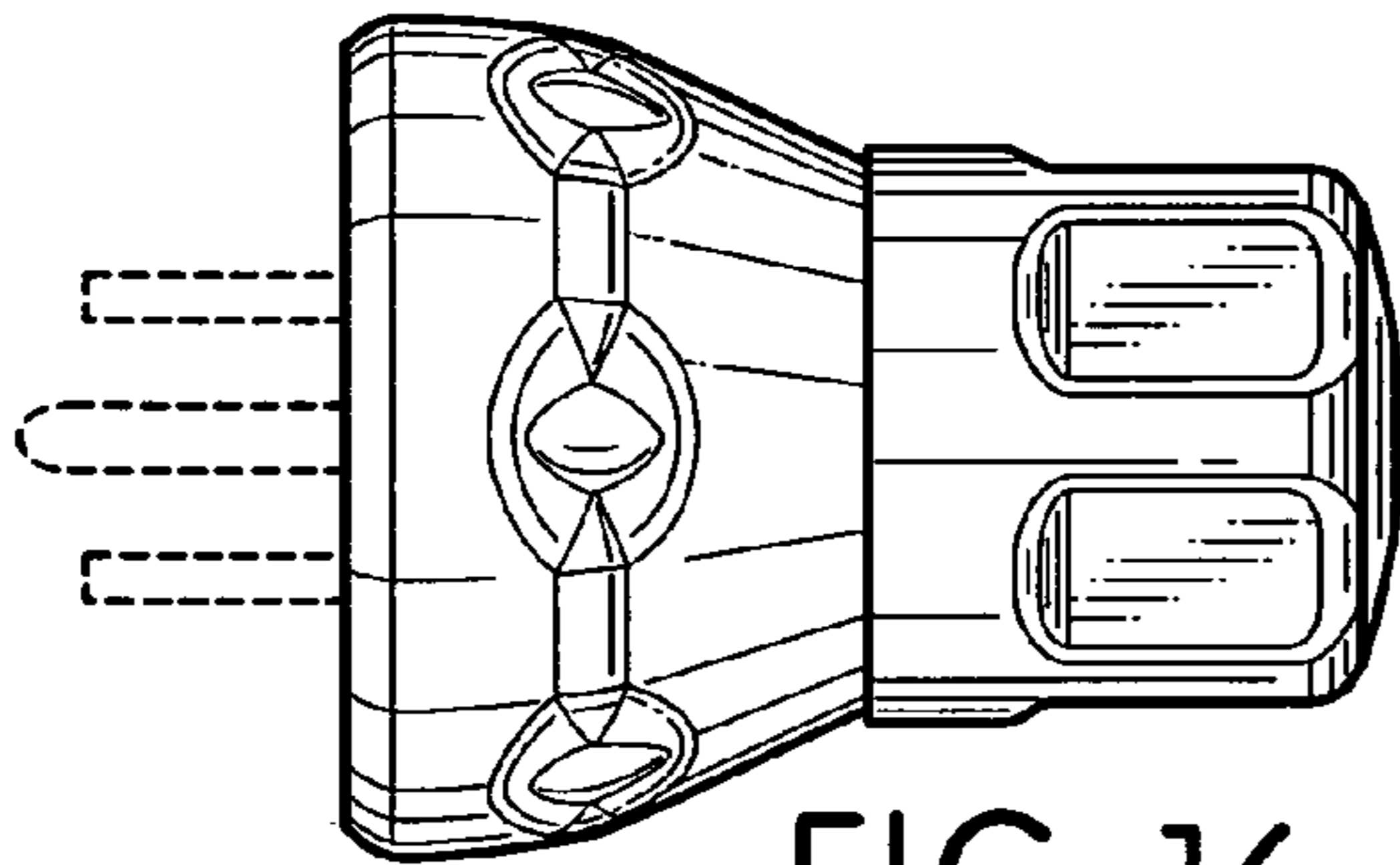
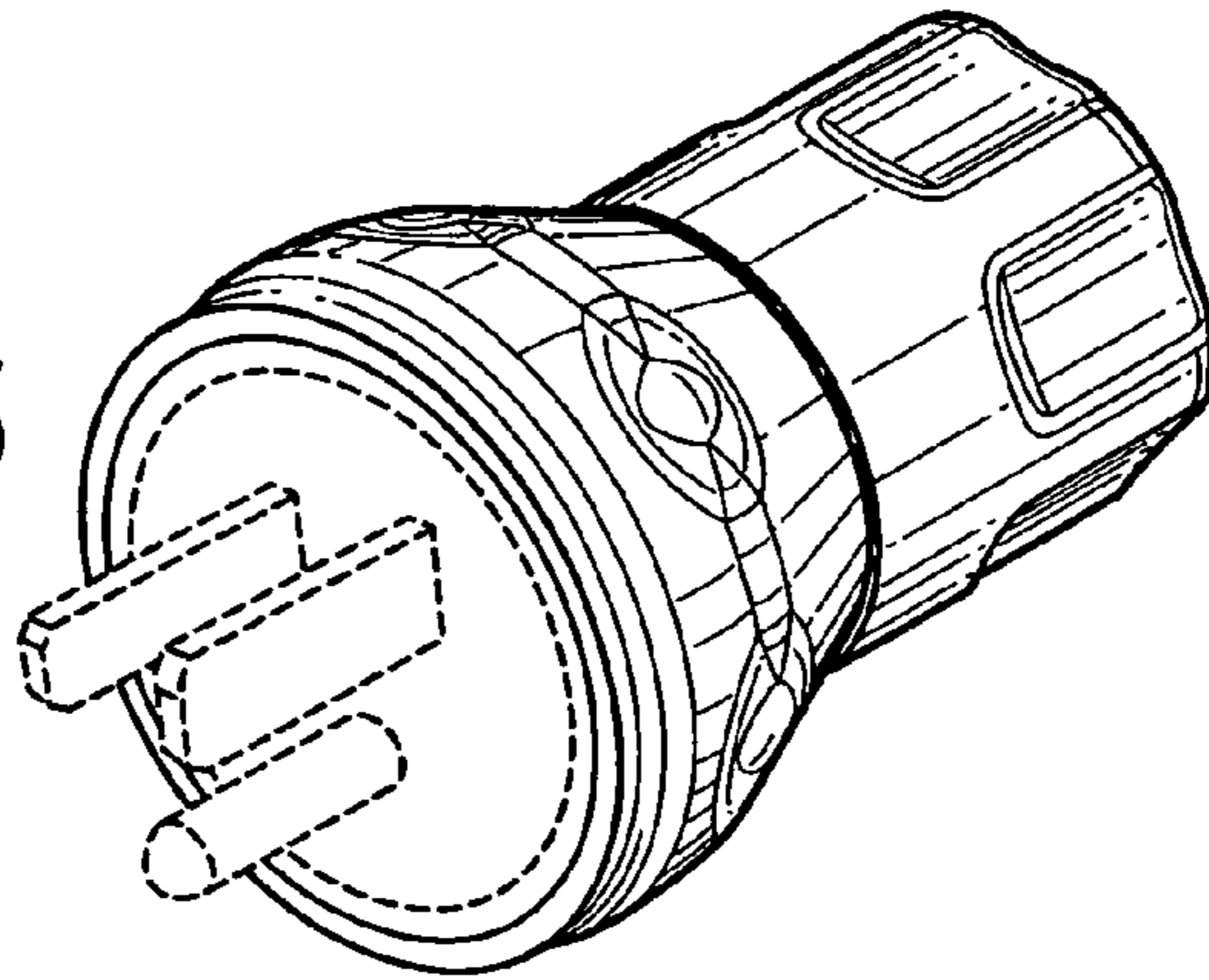


FIG. 16

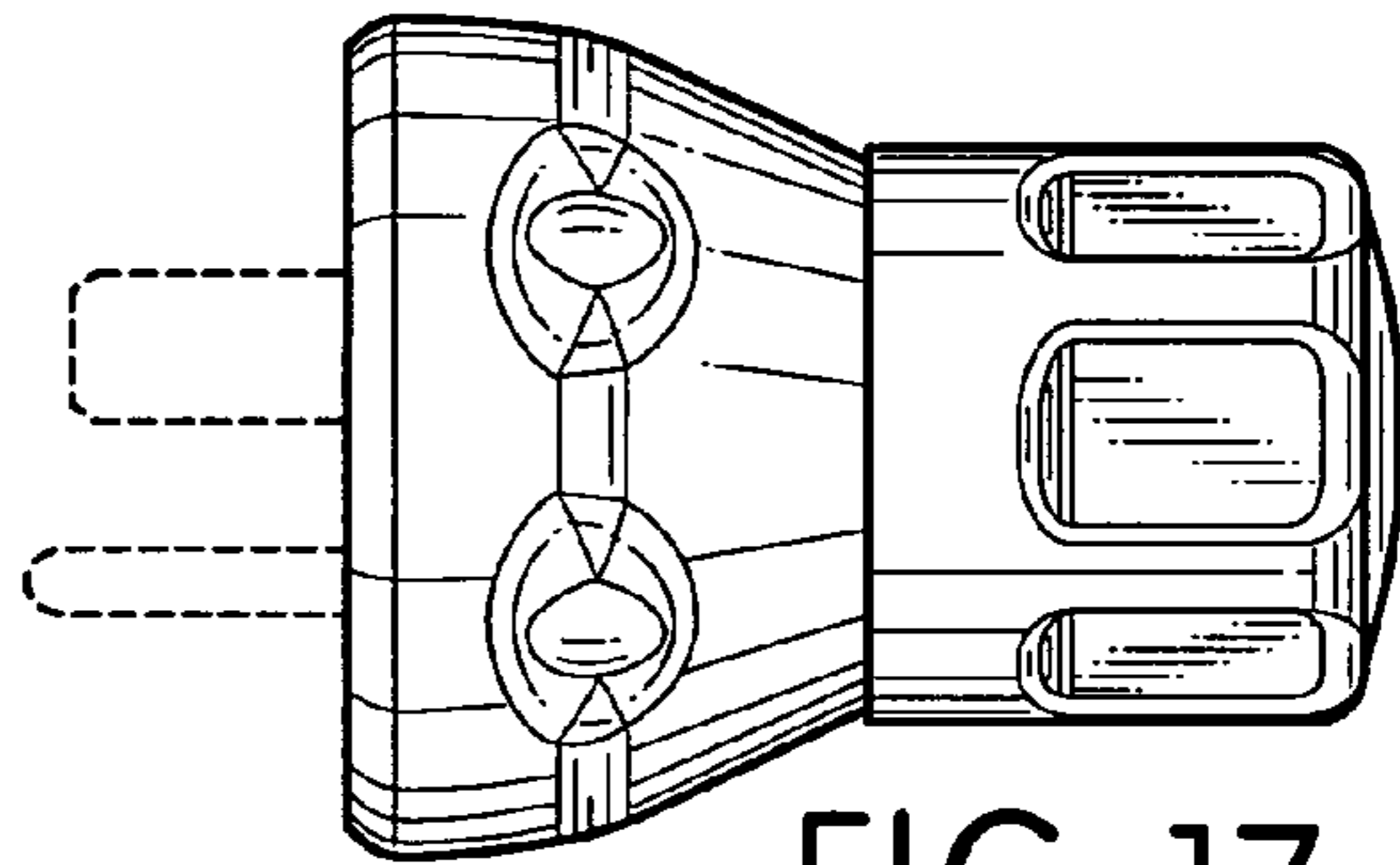


FIG. 17

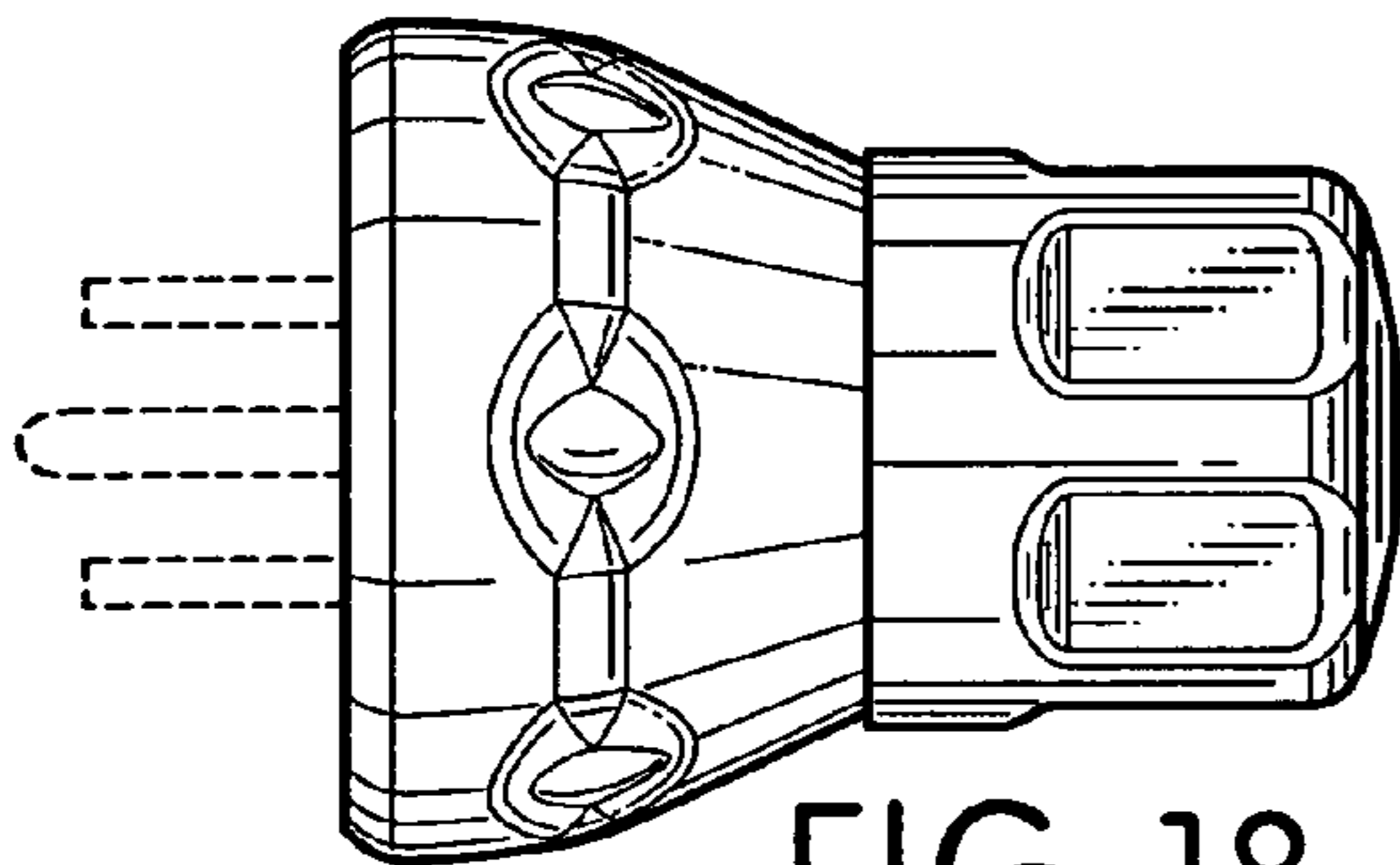


FIG. 18

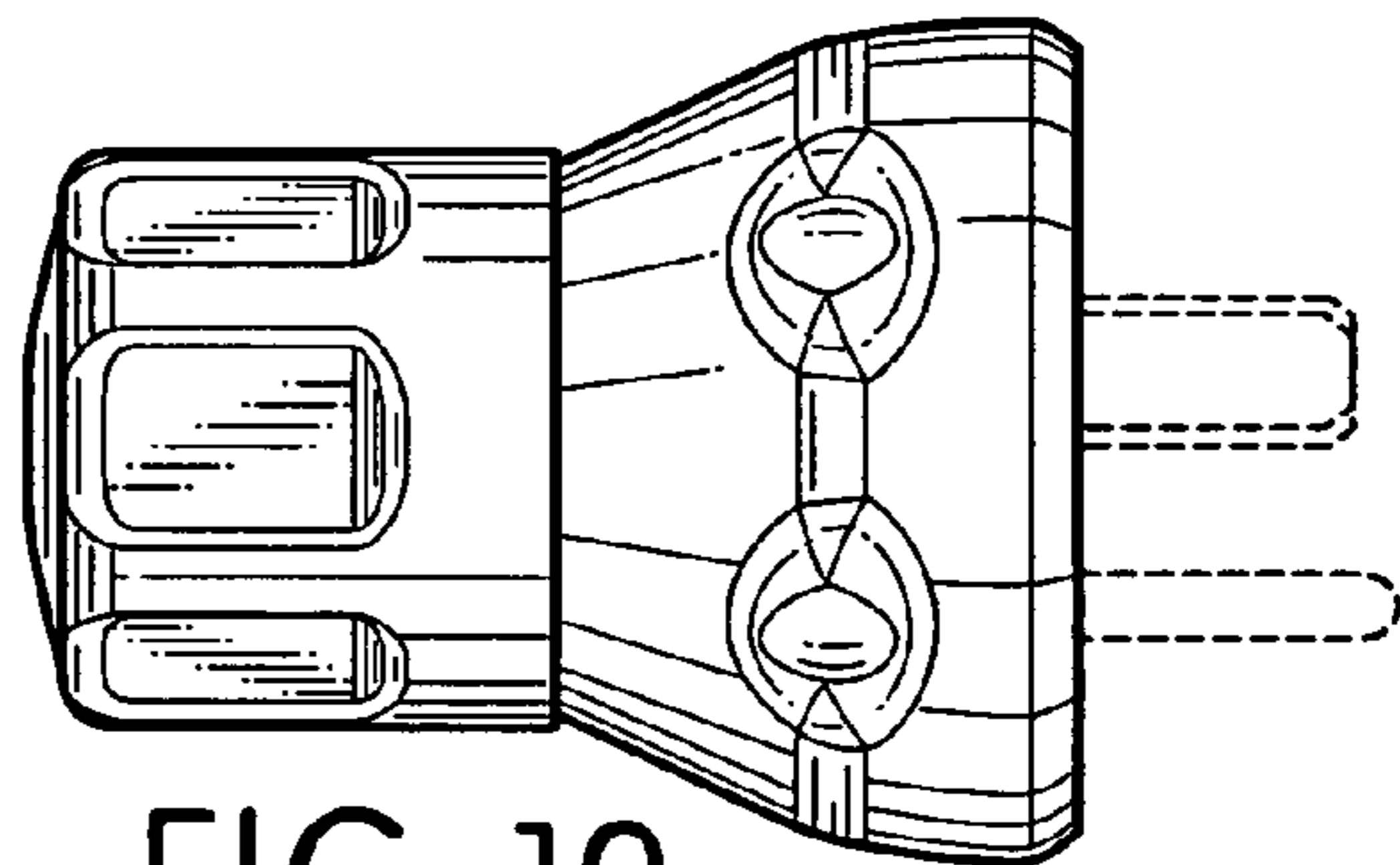


FIG. 19

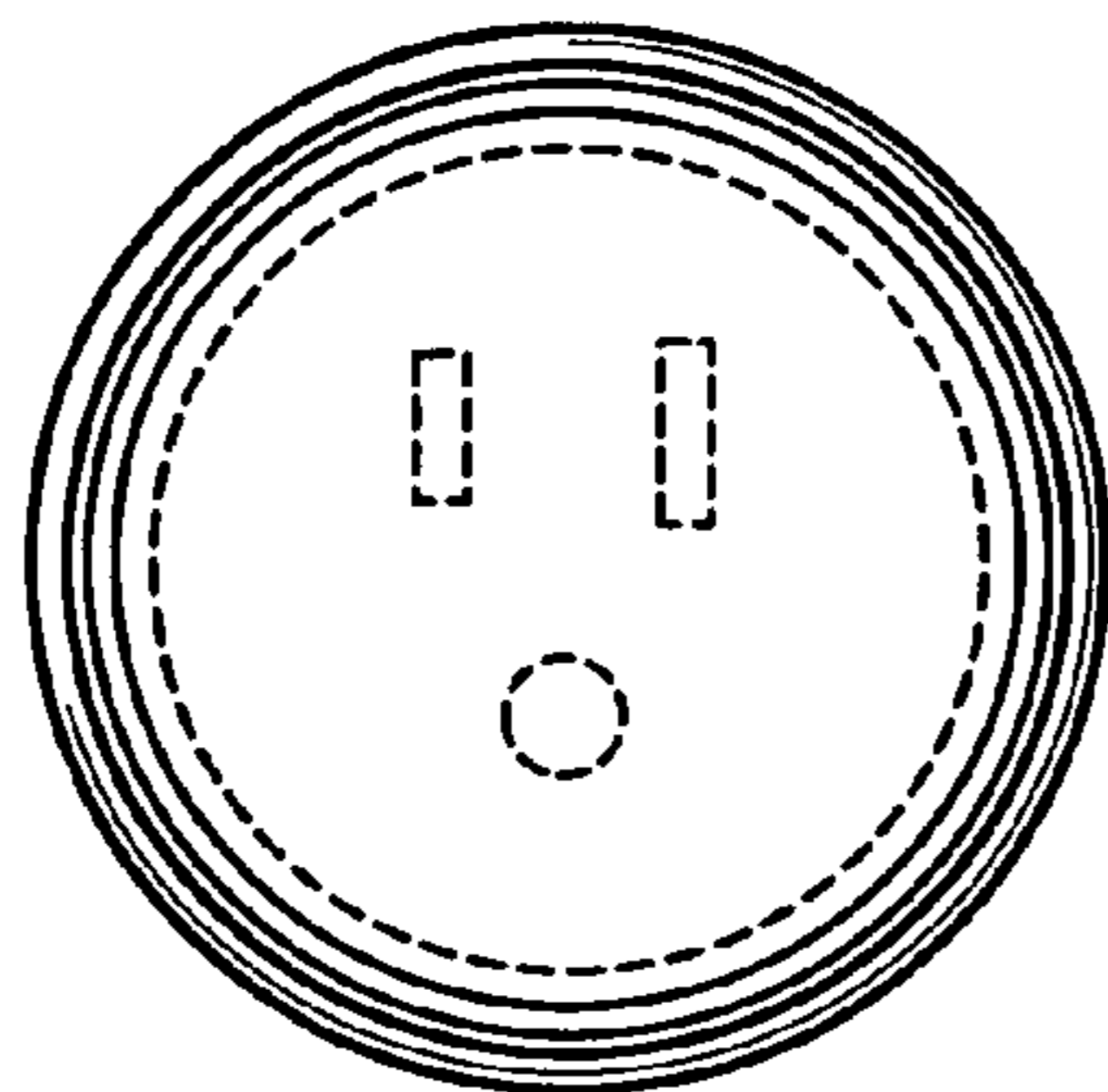


FIG. 20

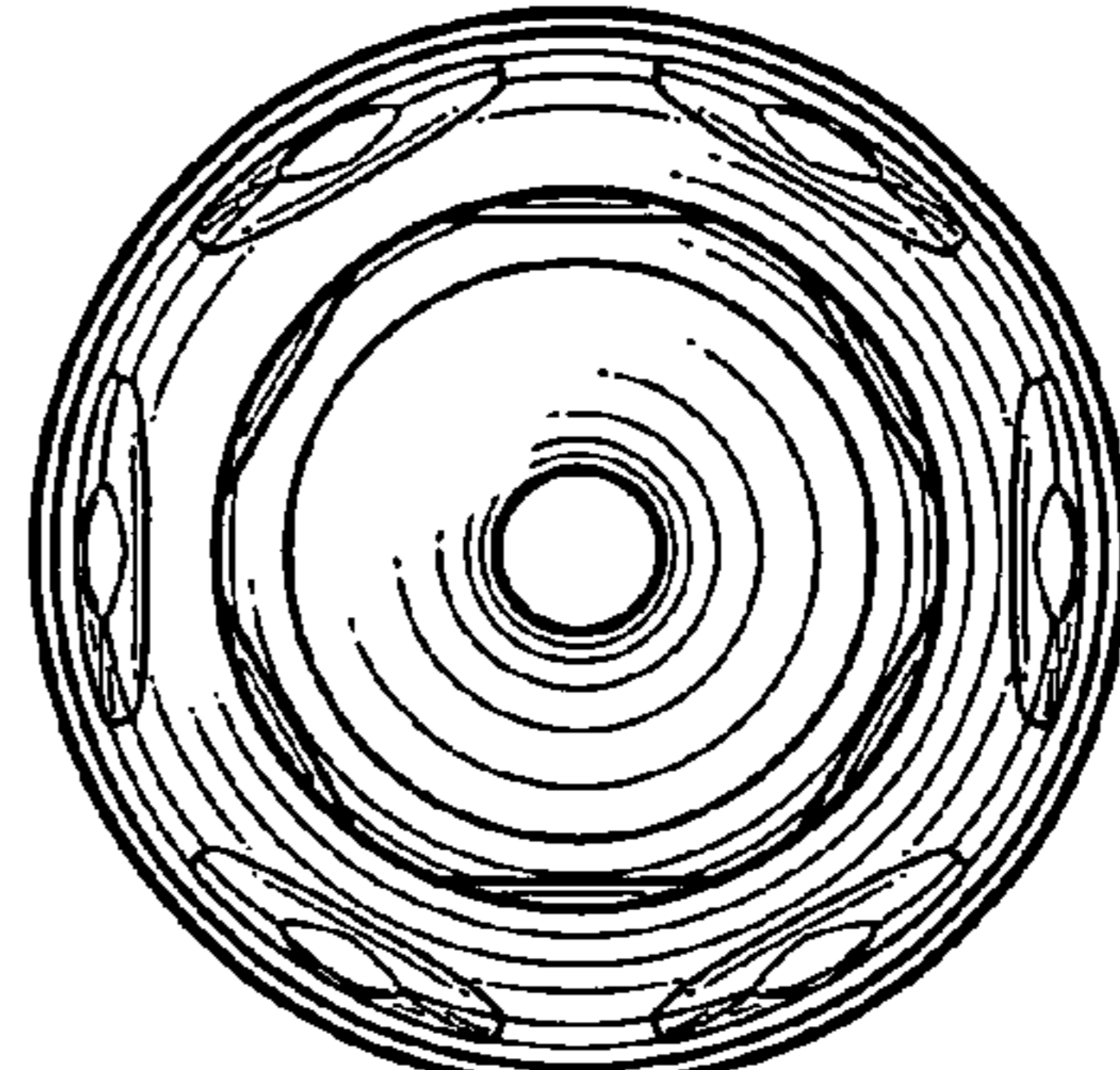


FIG. 21

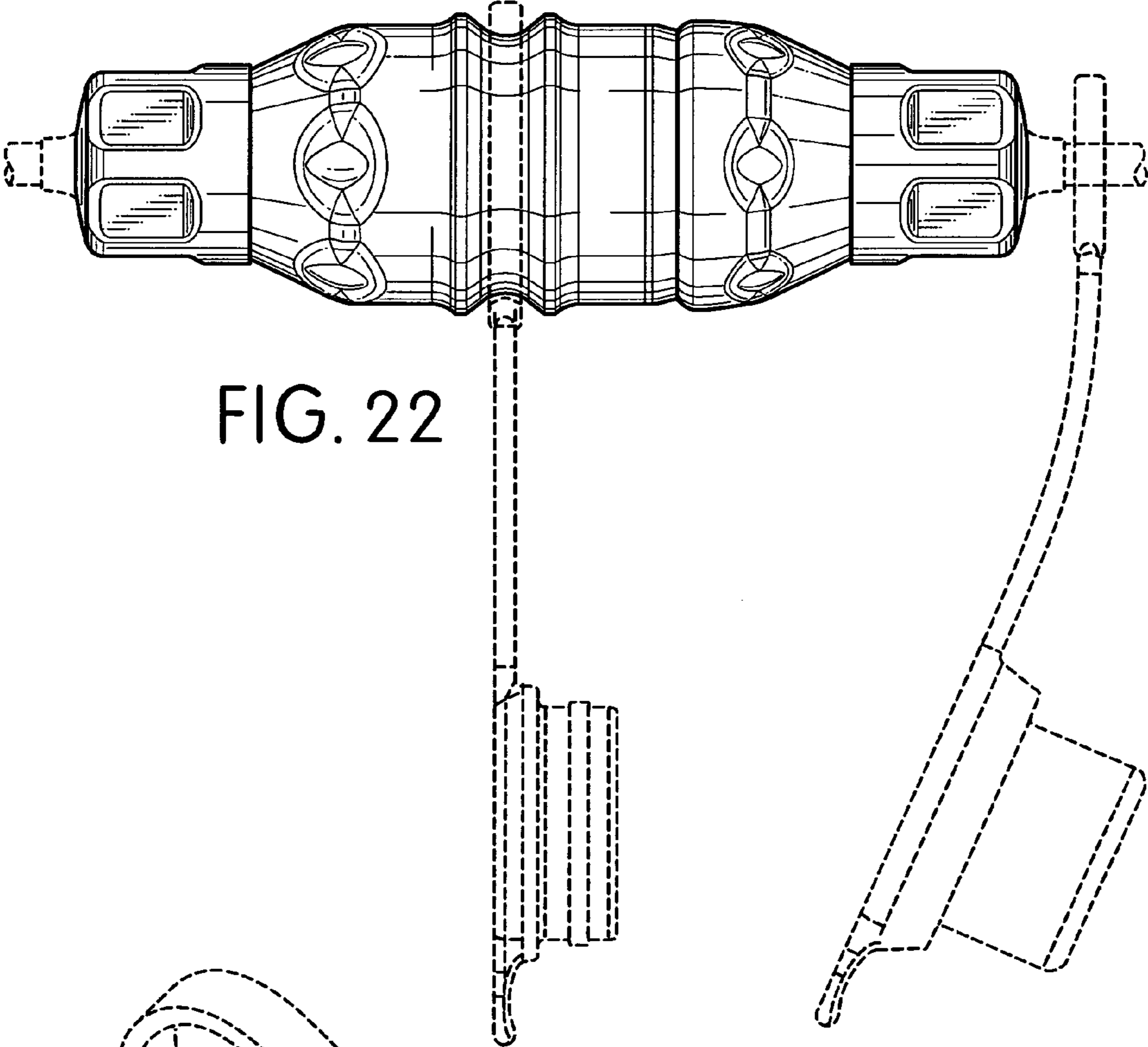


FIG. 22

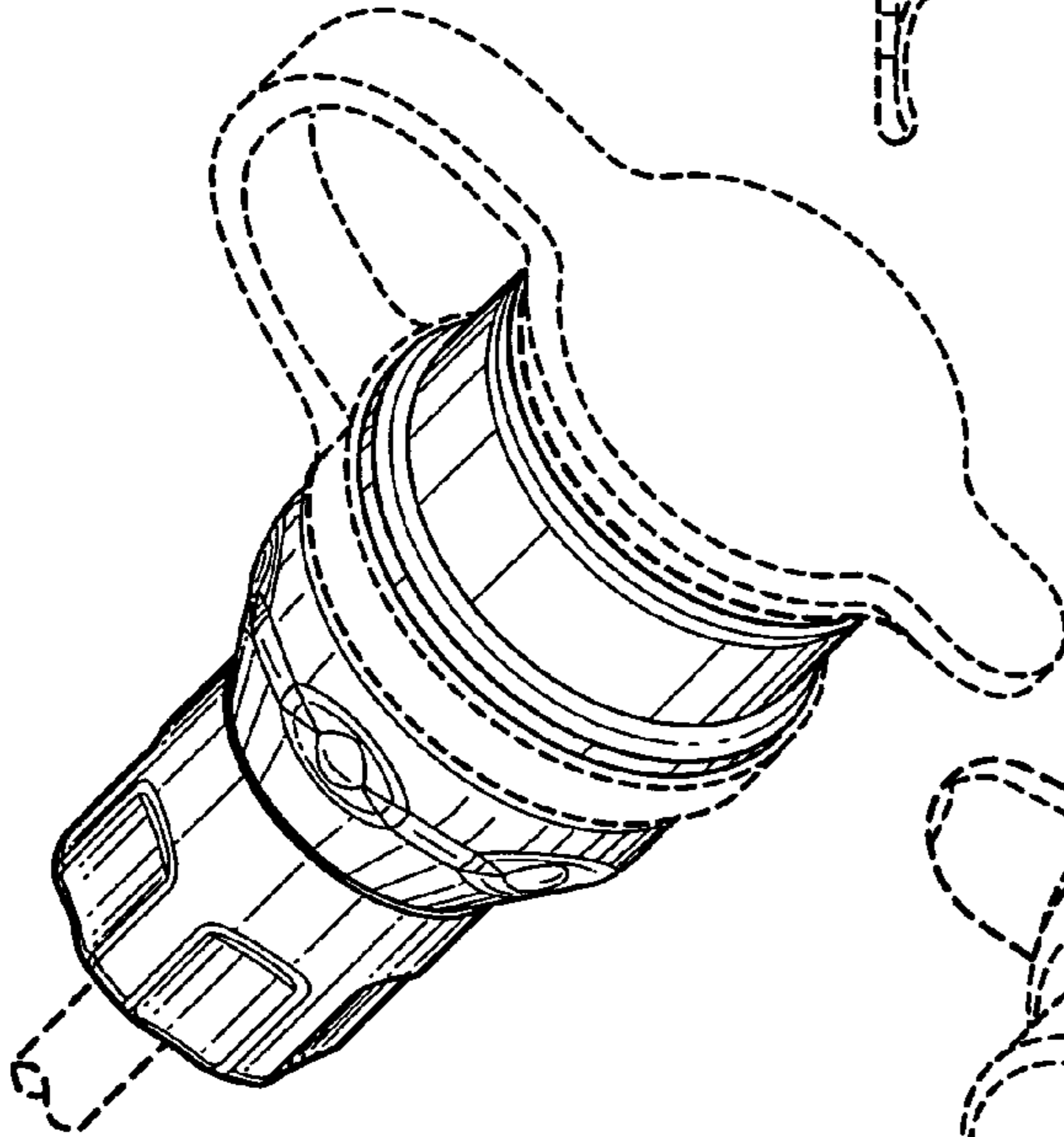


FIG. 23

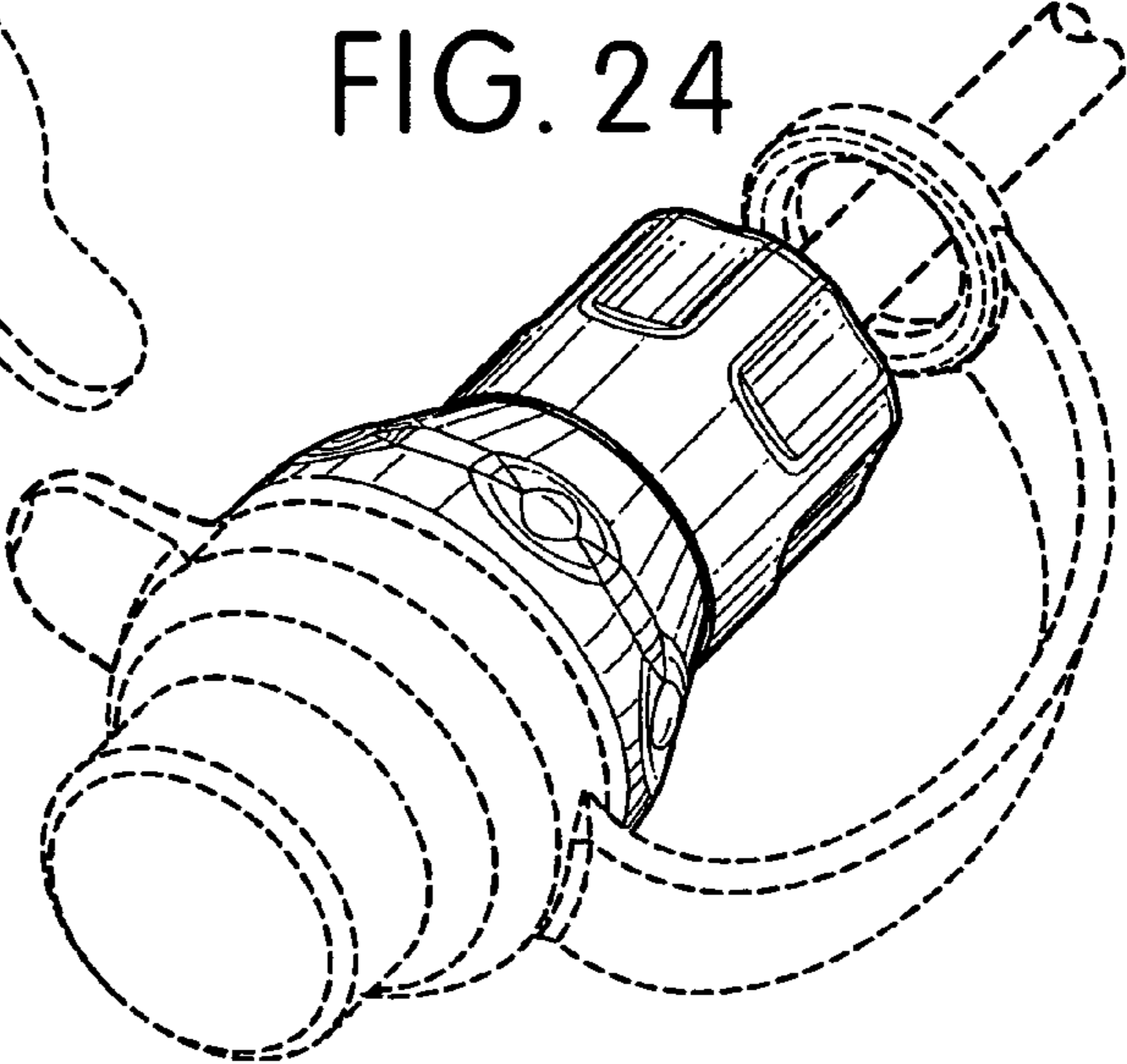


FIG. 24