



US00D601089S

(12) **United States Design Patent**  
**Lin**

(10) **Patent No.:** **US D601,089 S**  
(45) **Date of Patent:** **\*\* Sep. 29, 2009**

(54) **CHARGING CONNECTOR**

(75) Inventor: **Chu-Geng Lin**, Taipei Hsien (TW)

(73) Assignee: **Cheng Uei Precision Industry Co., Ltd.**, Taipei Hsien (TW)

(\*\*) Term: **14 Years**

(21) Appl. No.: **29/329,273**

(22) Filed: **Dec. 11, 2008**

(51) **LOC (9) Cl.** ..... **13-02**

(52) **U.S. Cl.** ..... **D13/108**

(58) **Field of Classification Search** ..... D13/102,  
D13/107-110, 118-119, 184; D14/251,  
D14/253, 432, 434; 320/107-115  
See application file for complete search history.

(56) **References Cited**

**U.S. PATENT DOCUMENTS**

D487,897 S *	3/2004	Huang et al.	.....	D14/434
D511,520 S *	11/2005	Hussaini et al.	.....	D14/434
D520,013 S *	5/2006	Yang	.....	D14/434
D529,440 S *	10/2006	Lodato et al.	.....	D13/108
D535,615 S *	1/2007	Iwai	.....	D13/108
D552,611 S *	10/2007	Hagiwara et al.	.....	D14/434
D554,115 S *	10/2007	Liu et al.	.....	D14/253
D557,693 S *	12/2007	Kim et al.	.....	D14/251
D564,959 S *	3/2008	Heine et al.	.....	D13/107
D577,666 S *	9/2008	Nishizawa	.....	D13/108

D578,474 S *	10/2008	Nishizawa	.....	D13/108
D592,132 S *	5/2009	Lin et al.	.....	D13/107

\* cited by examiner

*Primary Examiner*—Jennifer Rivard  
*Assistant Examiner*—Rosemary K Tarcza  
(74) *Attorney, Agent, or Firm*—WPAT, P.C.; Anthony King; Kay Yang

(57) **CLAIM**

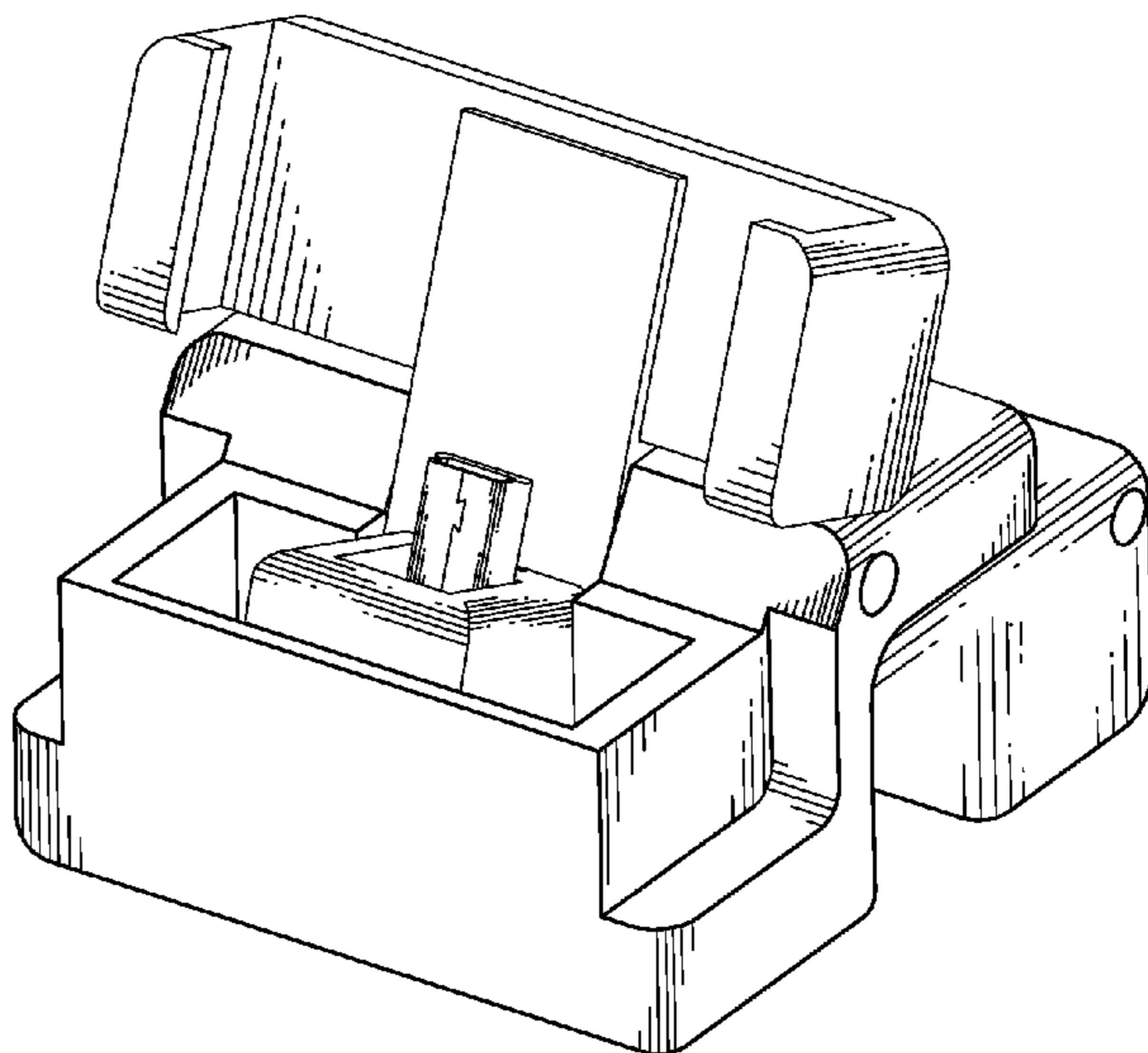
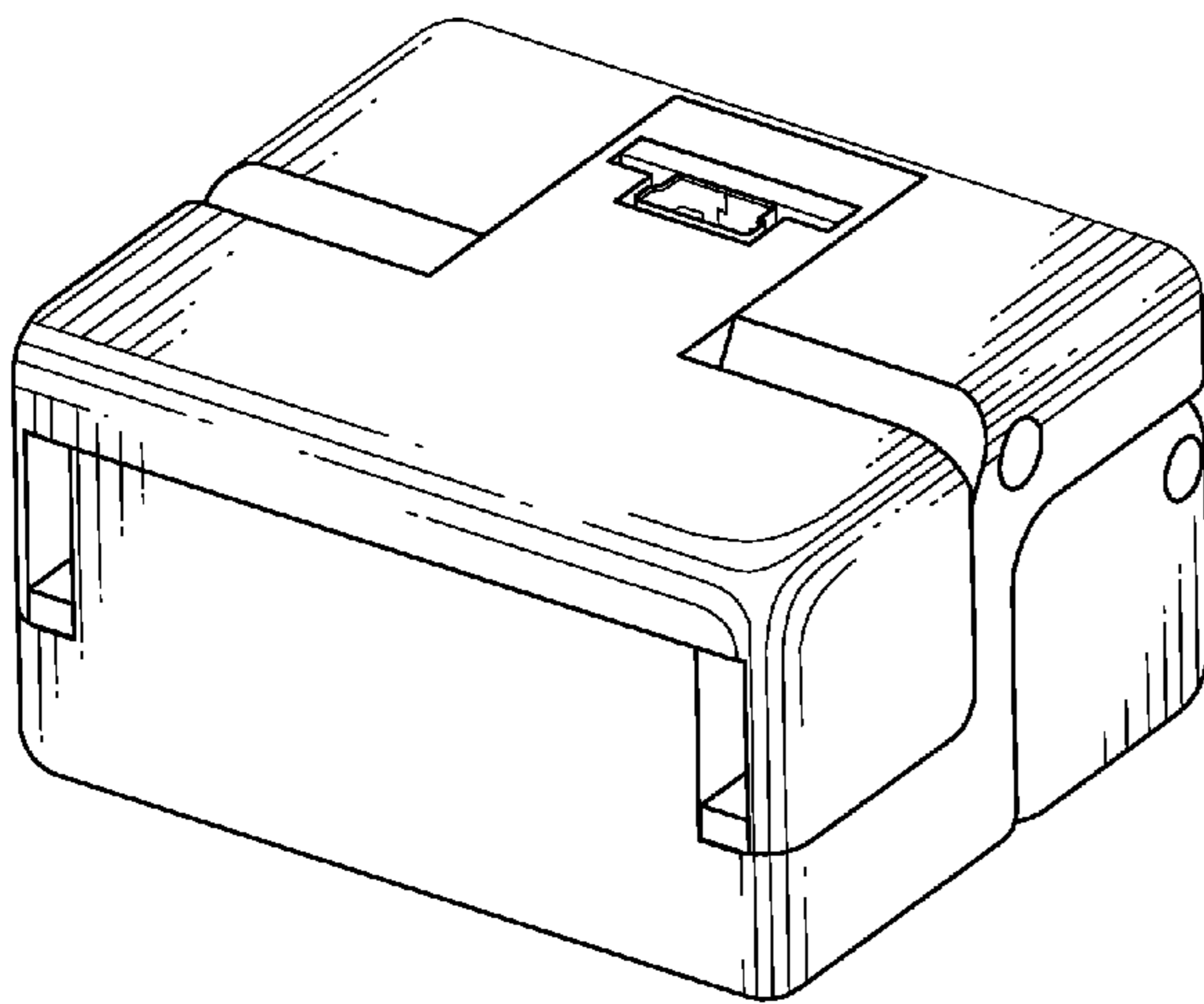
The ornamental design for a charging connector, as shown and described.

**DESCRIPTION**

FIG. 1 is a perspective view of a charging connector showing my new design;  
FIG. 2 is a front elevational view thereof;  
FIG. 3 is a rear elevational view thereof;  
FIG. 4 is a left side elevational view thereof;  
FIG. 5 is a right side elevational view thereof;  
FIG. 6 is a top plan view thereof;  
FIG. 7 is a bottom plan view thereof; and,  
FIG. 8 is a perspective view showing the charging connector in an opening state.

The broken lines in the Figures are for illustrative purposes and form no part of the claimed designs.

**1 Claim, 8 Drawing Sheets**



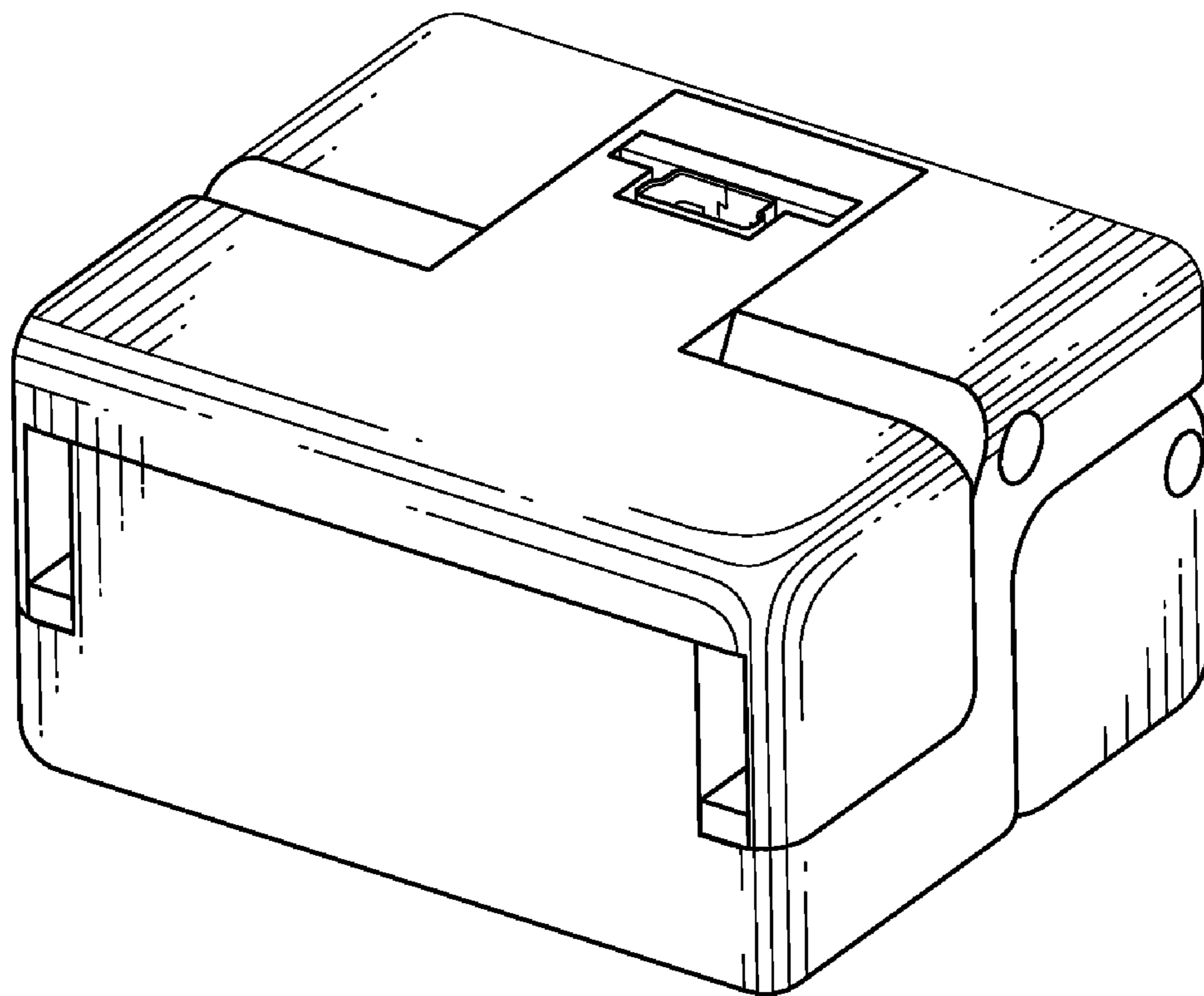


FIG. 1

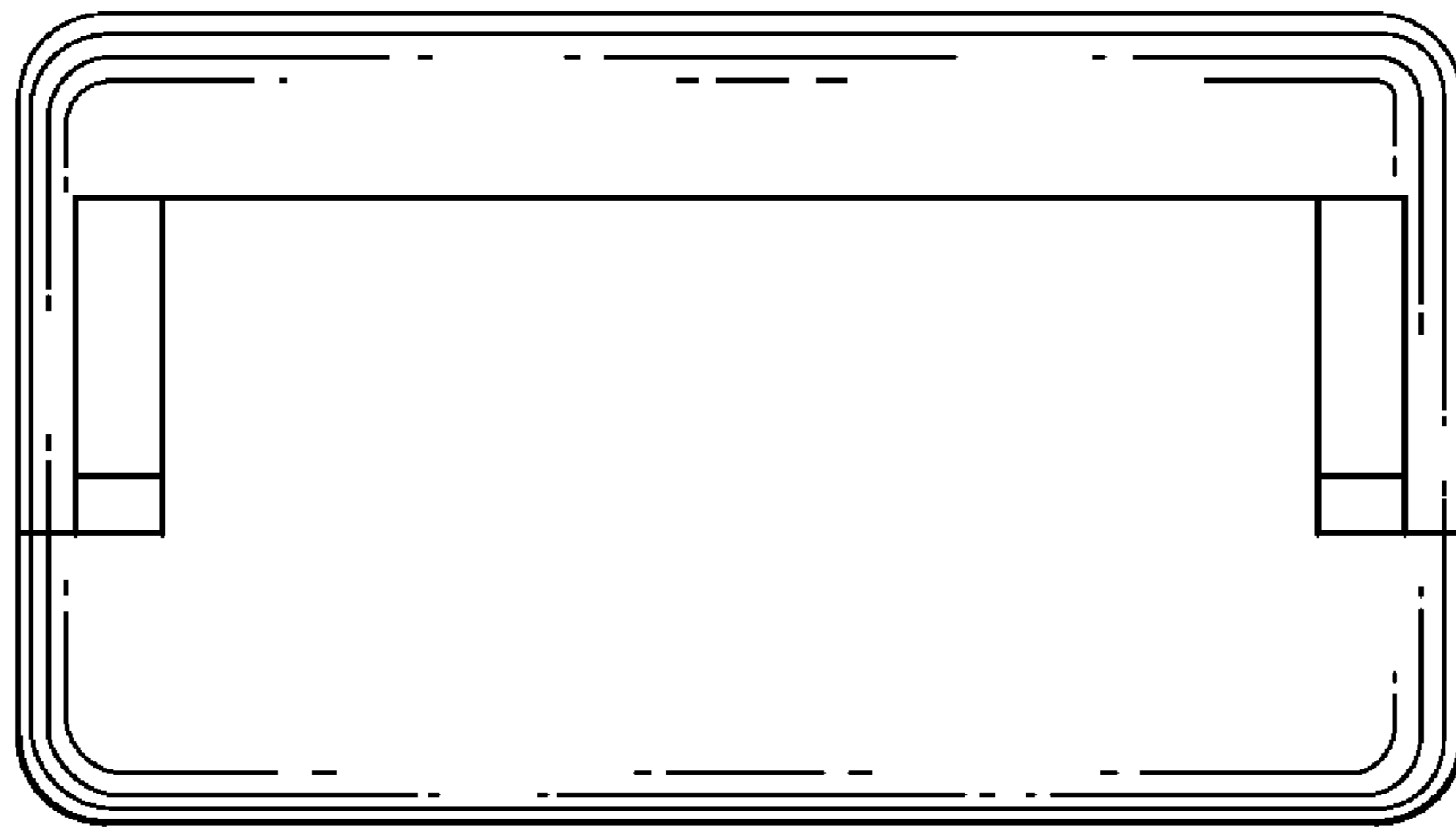


FIG. 2

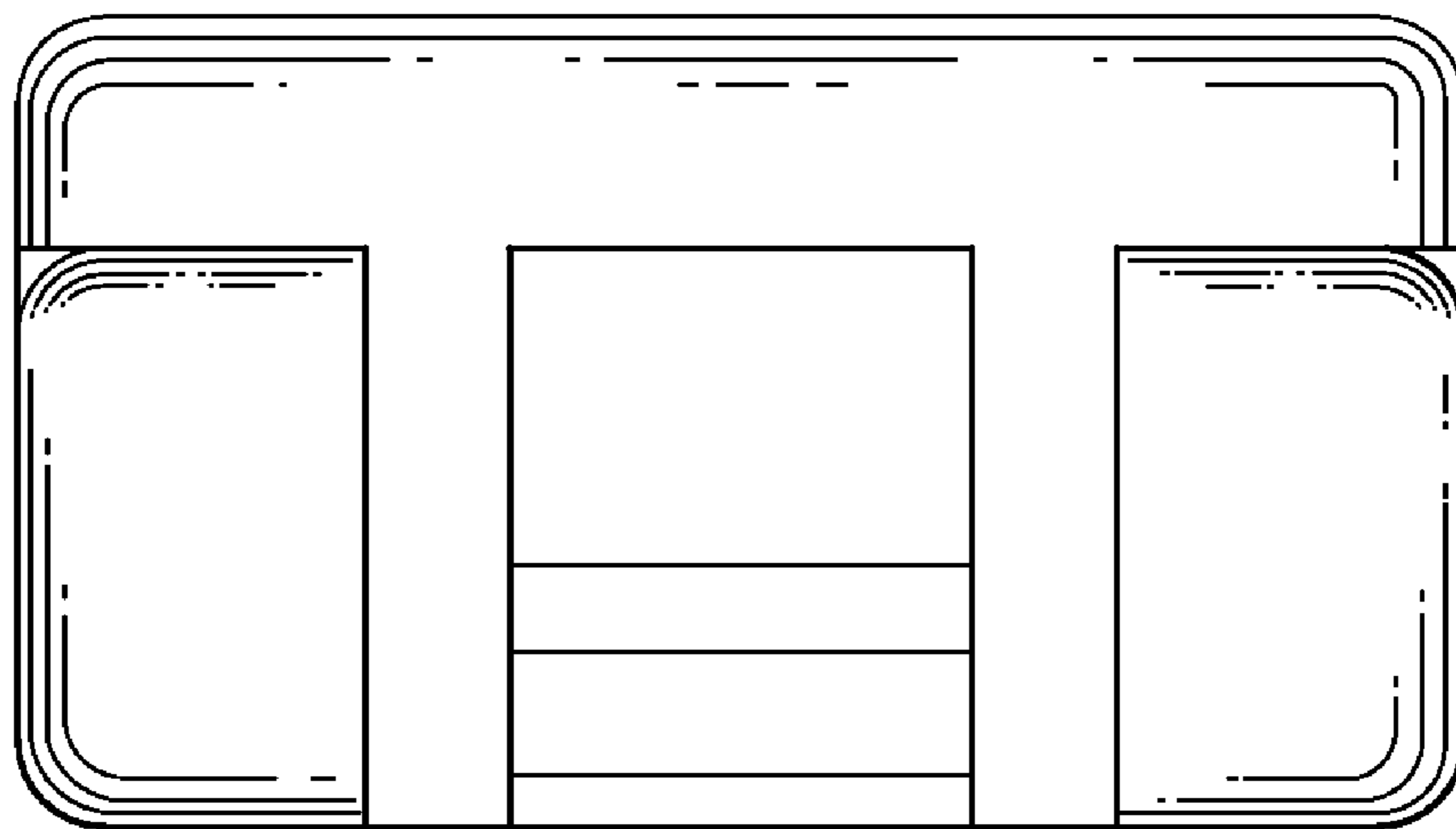


FIG. 3

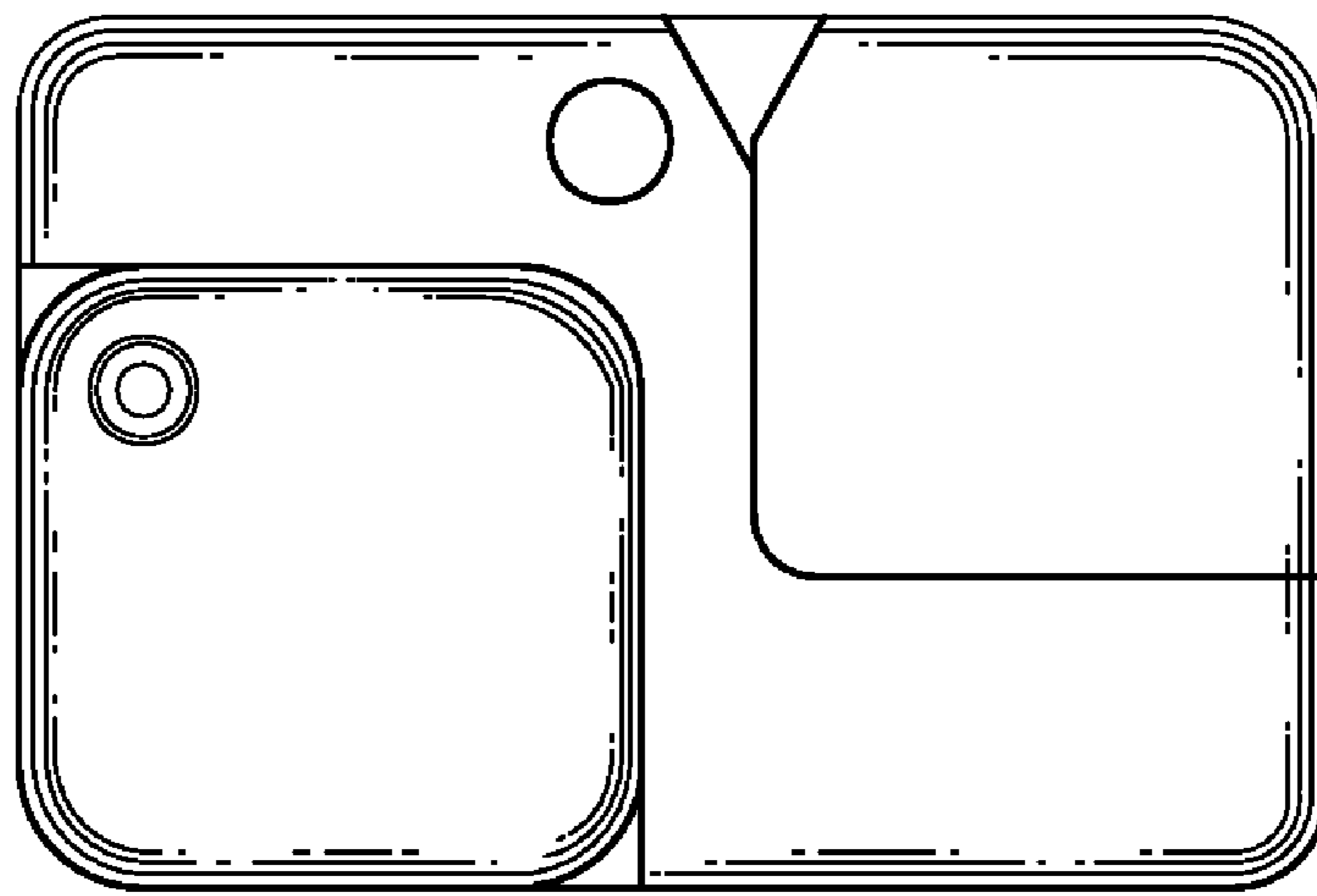


FIG. 4

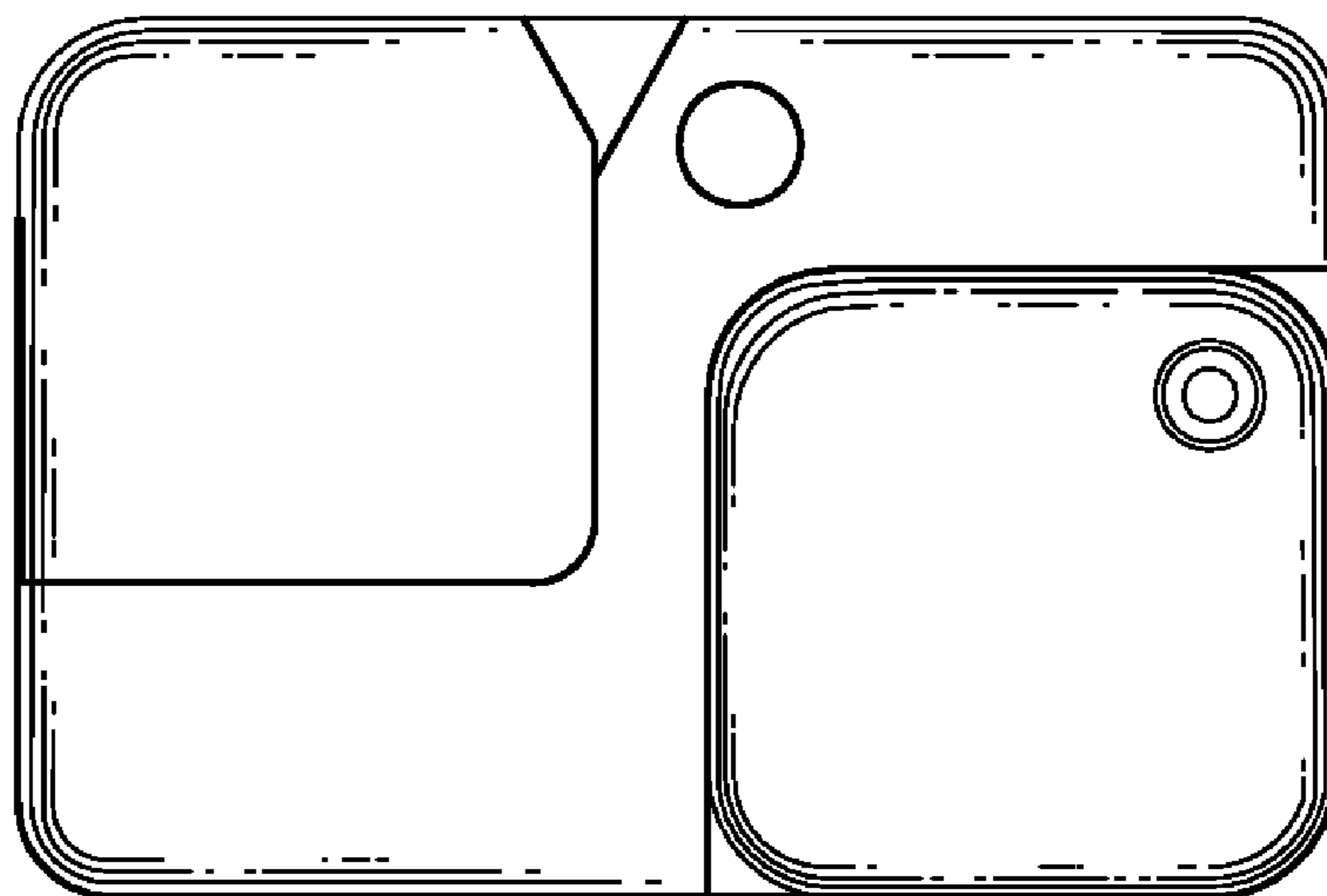


FIG. 5

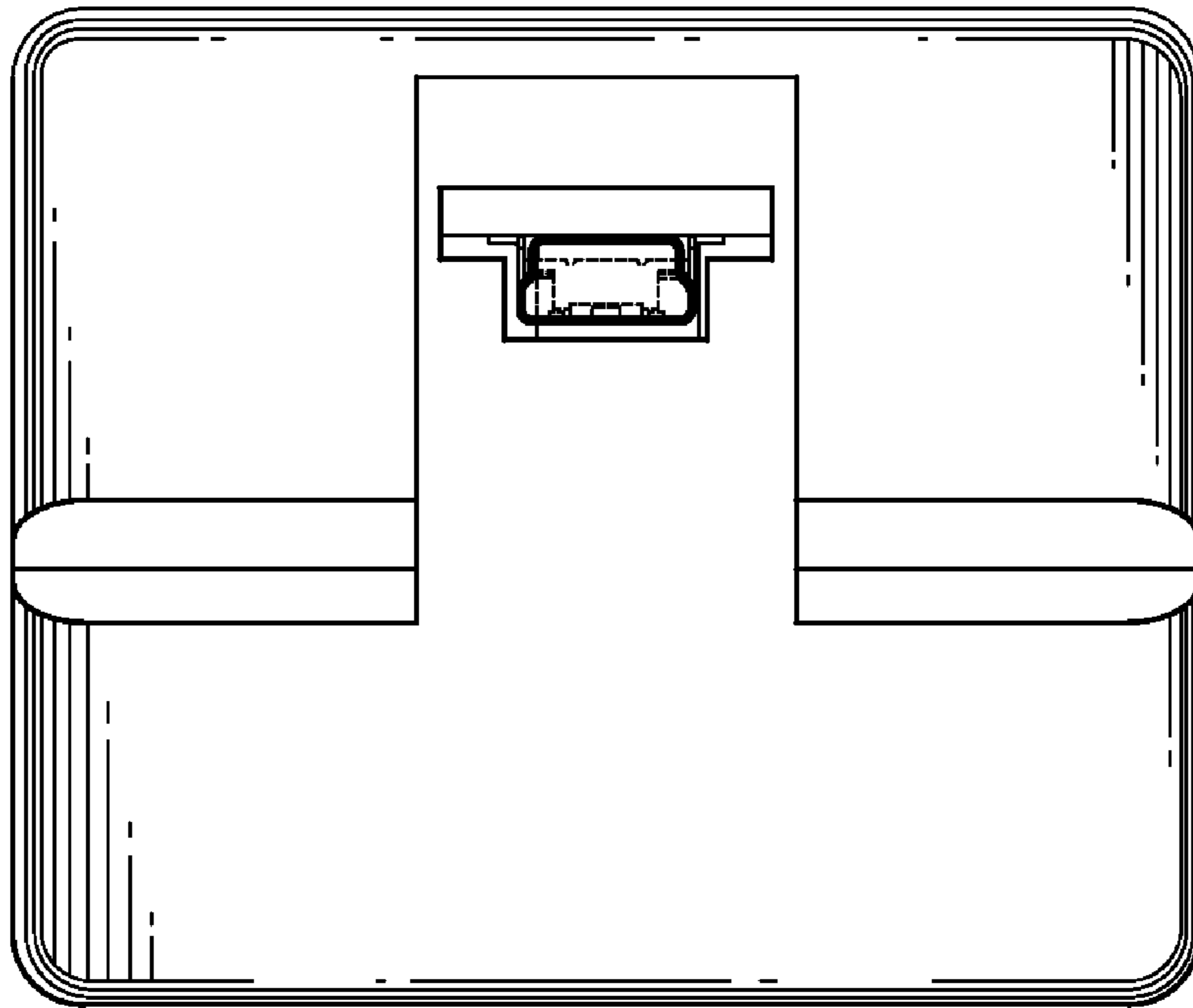


FIG. 6

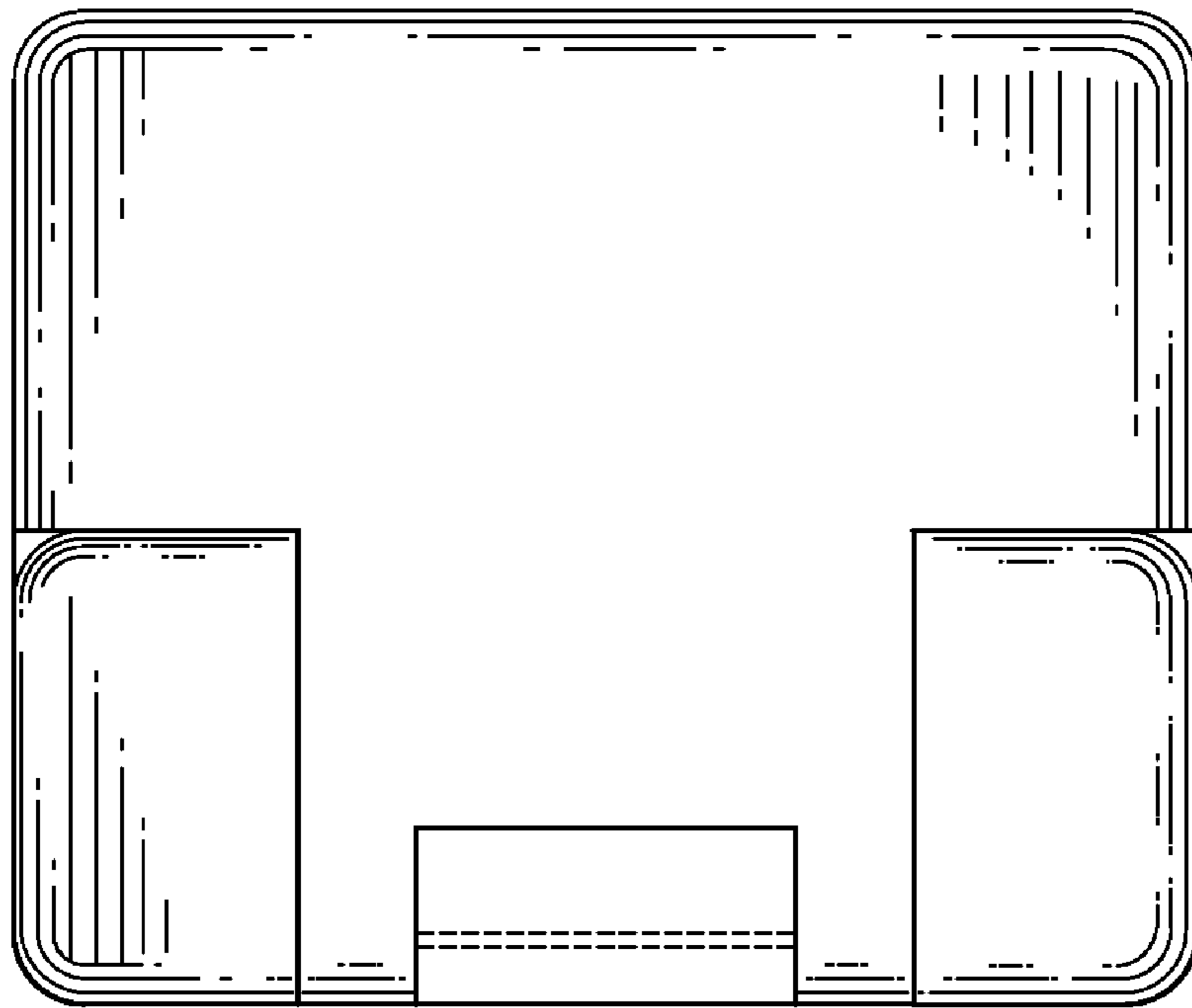


FIG. 7



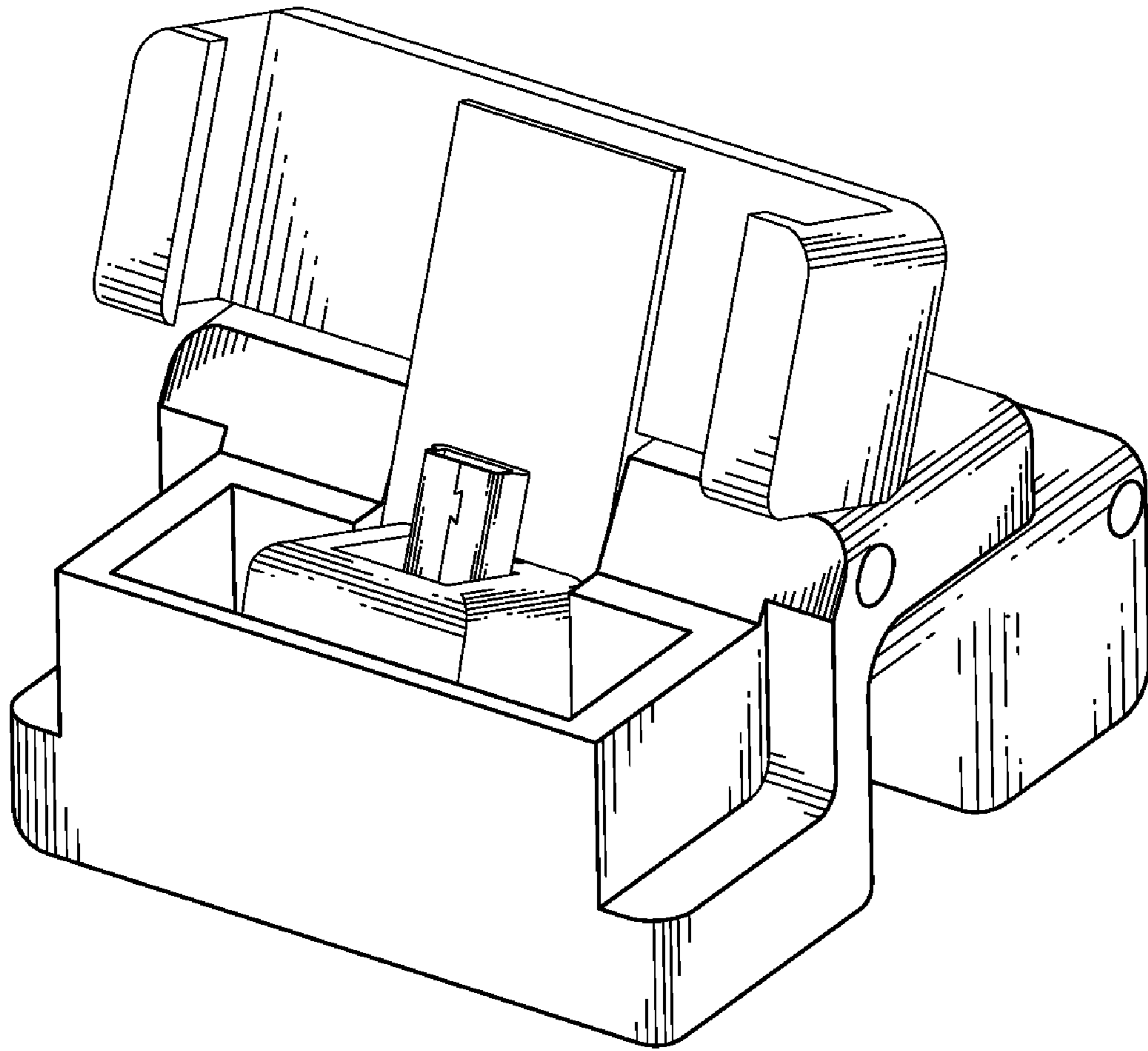


FIG. 8