



US00D601088S

(12) **United States Design Patent**
Scheucher

(10) **Patent No.:** **US D601,088 S**

(45) **Date of Patent:** **** Sep. 29, 2009**

(54) **BATTERY PACK**

(76) Inventor: **Karl F. Scheucher**, 7136 Eagle Rd.,
Waite Hill, OH (US) 44094

(**) Term: **14 Years**

(21) Appl. No.: **29/280,875**

(22) Filed: **Jun. 8, 2007**

(51) **LOC (9) Cl.** **13-02**

(52) **U.S. Cl.** **D13/103**

(58) **Field of Classification Search** D13/102-106,
D13/110, 118-119, 184; 429/96-100, 163,
429/176

See application file for complete search history.

(56) **References Cited**

U.S. PATENT DOCUMENTS

3,178,669	A	4/1965	Roberts	
3,391,374	A	7/1968	Schleicher	
4,193,660	A	3/1980	Jaconette	
D276,495	S *	11/1984	Sylvia	D15/144
4,631,377	A	12/1986	Imazeki et al.	
5,792,573	A	8/1998	Pitzen et al.	
6,085,836	A	7/2000	Burris et al.	
6,350,149	B1	2/2002	Nakane	
6,465,986	B1	10/2002	Haba	
D483,012	S *	12/2003	Hsu	D13/103
D511,744	S *	11/2005	Hsu et al.	D13/108
D512,373	S *	12/2005	Tsai et al.	D13/108
D514,060	S *	1/2006	Wong et al.	D13/103
D516,020	S *	2/2006	Wong et al.	D13/103
D524,728	S *	7/2006	Watson	D13/103
7,157,882	B2	1/2007	Johnson et al.	
7,157,883	B2	1/2007	Johnson et al.	
7,164,257	B2	1/2007	Johnson et al.	
D537,408	S *	2/2007	Aglassinger	D13/103
7,176,654	B2	2/2007	Meyer et al.	
D545,759	S *	7/2007	Ino et al.	D13/103
D557,203	S *	12/2007	Grunow et al.	D13/103
D559,175	S *	1/2008	Houghton et al.	D13/103
D562,228	S *	2/2008	Okada et al.	D13/103

D568,239	S *	5/2008	Okada et al.	D13/103
2002/0096323	A1	7/2002	Burris et al.	
2004/0257038	A1	12/2004	Johnson et al.	
2004/0263119	A1	12/2004	Meyer et al.	
2005/0007068	A1	1/2005	Johnson et al.	
2005/0258801	A9	11/2005	Johnson et al.	
2006/0091858	A1	5/2006	Johnson et al.	
2006/0103357	A1	5/2006	Johnson et al.	
2006/0108975	A1	5/2006	Meyer et al.	

OTHER PUBLICATIONS

McDowellResearch, MRC-34, 2 Pages, Website, HTTP://WWW.MCDOWELLRESEARCH.COM/DATASHEETt.PHP?ID=MRC-34.

(Continued)

Primary Examiner—Jennifer Rivard

Assistant Examiner—Rosemary K Tarcza

(74) *Attorney, Agent, or Firm*—Woodling, Krost and Rust

(57) **CLAIM**

The ornamental design for a battery pack, as shown and described.

DESCRIPTION

FIG. 1 is a front perspective view of my design.

FIG. 2 is a left side view of my design.

FIG. 3 is a right side view of my design.

FIG. 4 is a top view of my design.

FIG. 5 is a bottom view of my design.

FIG. 6 is a front view of my design.

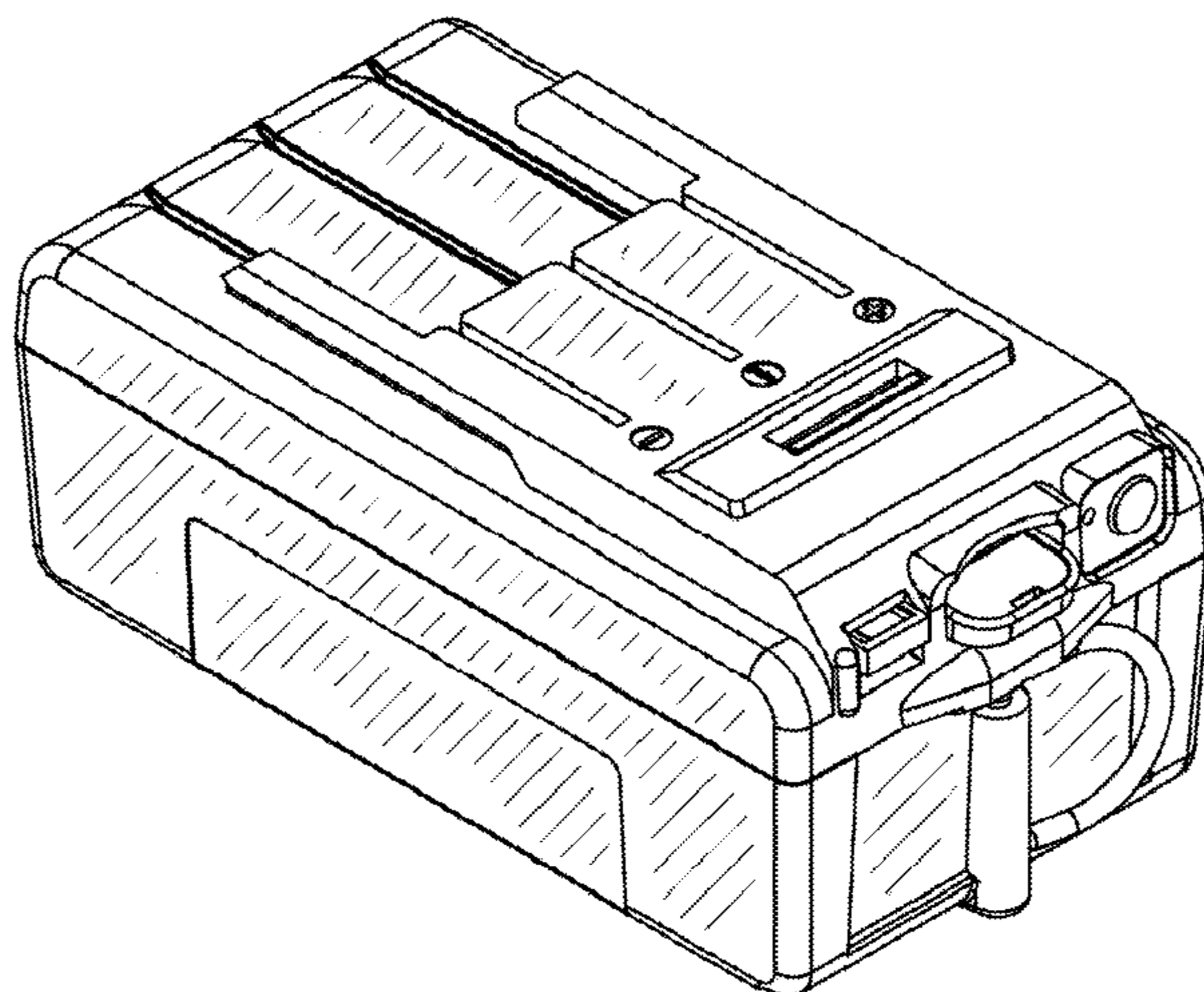
FIG. 7 is a rear view of my design.

FIG. 8 is an enlargement of a portion of the rear view of my design; and,

FIG. 9 is a rear perspective view of my design.

The broken line showing of the circle and line in FIG. 7 is included for the purpose of indicating the enlarged area shown in FIG. 8 and forms no part of the claimed design.

1 Claim, 6 Drawing Sheets



U.S. PATENT DOCUMENTS

2006/0108983 A1 5/2006 Meyer et al.
 2006/0108984 A1 5/2006 Johnson et al.
 2007/0103109 A1 5/2007 Meyer et al.
 2007/0103116 A1 5/2007 Johnson et al.
 2007/0103121 A1 5/2007 Johnson et al.
 2007/0184339 A1 8/2007 Scheucher
 2007/0188130 A1 8/2007 Scheucher
 2007/0188137 A1 8/2007 Scheucher
 2008/0018303 A1 1/2008 Scheucher

OTHER PUBLICATIONS

McDowellResearch, Briefcase Power System, 1 Page, Website, [HTTP://WWW.MCDOWELLRESEARCH.COM/subcategory.php?ID=21](http://WWW.MCDOWELLRESEARCH.COM/subcategory.php?ID=21).
 Automated Business Power, Uninterruptible Power Supply for Javelin CLU, 1 Page, Website, http://www.abpco.com/Uninterruptible_Power_Supply_JAVELIN_CLU.shtml.
 Automated Business Power, Uninterruptible Power Transceiver Power Unit Applications, 2 Pages Website, http://www.abpco.com/Uninterruptible_Power_Supply_Transceiver_Battery_Eliminator_App.shtml.
 Automated Business Power, Uninterruptible Power Supply Transceiver Battery Eliminator Applications, 2 Pages Website, [HTTP://WWW.ABPCO.COM/UNINTERRUPTIBLE_POWER_SUPPLY_TRANSCEIVER_BATTERY_ELIMINATOR_APP.SHTML](http://WWW.ABPCO.COM/UNINTERRUPTIBLE_POWER_SUPPLY_TRANSCEIVER_BATTERY_ELIMINATOR_APP.SHTML).
 Motorola, Inc. WMC7300, 2006, pp. 1-2, Maitland, Florida 32794-8133, http://www.motorola.com/mesh/pdf/data_sheet_wmc7300.pdf.
 Motorola, Inc. IAP 7300, 2006, pp. 1-2, www.motorola.com/mesh, Maitland, Florida 32794-8133, http://www.motorola.com/mesh/pdf/data_sheet_iap7300.pdf.
 International Rectifier, IRF7240 Hexfet Power Mosfet, Mar. 6, 2001, IR World Headquarters: 233 Kansas St., El Segundo, California 90245, www.irf.com.
 Diodes Incorporated, PDS1040CTL, Diodes Incorporated. pp. 1-3, www.diodes.com.
 Panasonic, Multilayer Chip NTC Thermistors, pp. 1-4.
 Kerchner, George A. "Battery Power Online" 2001, Webcom Communications Corp. <http://www.batterypoweronline.com/july02Li-IonRegulations.htm>.
 PowerGate LLC, "Cosel 150 Watt Enclosed Single Output Switcher" pp. 1-2, PowerGate LLC 3000 Coronado Dr. Santa Clara, CA 95054.
 Acon, Inc., "MH Series, 100-300W" Oct. 21, 2004, pp. 1-17, www.aconinc.com.
 CD Media Corporation, "150W DC to AC Power Inverter" 1999-2005, 1 page, <http://www.hobbyracer.com/kv-150.htm>.

National Semiconductor, "LM2936-3.3 Ultra-Low Quiescent Current 3.3V Regulator", Jun. 2002, pp. 1-10, DS101324, National Semiconductor Corporation, WWW.NATIONAL.COM.
 Texas Instruments, "MSP430X15X", SLAS368B, Mar. 2004, pp. 1-64, Texas Instruments, Dallas, Texas.
 Transistor Devices, Inc. "2 KW Scaleable Li-Ion AC UPS", Website http://www.tdipower.com/360/ups/ups_360.html, 1 page.
 Nexergy, "Portable Power Solutions: Designing The Optimal Portable Power System" pp. 1-8, http://www.nexergy.com/pdf/Designing_Optimal_PPwr.pdf.
 Nass, Richard, "Extending Battery Life" EE Times, Jan. 6, 1997, pp. 1-4, <http://www.nexergy.com/extending-battery-life.htm>.
 Motorola, Inc. MWR7300, 2006, pp. 1-2, Motorola Maitland, Florida 32794-8133, http://www.motorola.com/mesh/pdf/data_sheet_mwr7300.pdf.
 Motorola, Inc. VMM7300, 2006, pp. 1-2, Motorola Maitland, Florida 32794-8133, http://www.motorola.com/mesh/pdf/data_sheet_vmm7300.pdf.
 U.S. Appl. No. 60/771,771, Inventor Name: Scheucher, filed Feb. 9, 2006.
 U.S. Appl. No. 60/781,959, Inventor Name: Scheucher, filed Mar. 12, 2006.
 U.S. Appl. No. 60/848,148, Inventor Name: Scheucher, filed Sep. 29, 2006.
 U.S. Appl. No. 60/855,958, Inventor Name: Scheucher, filed Nov. 1, 2006.
 U.S. Appl. No. 60/857,079, Inventor Name: Scheucher, filed Nov. 6, 2006.
 U.S. Appl. No. 60/911,564, Inventor Name: Scheucher, filed Apr. 13, 2007.
 U.S. Appl. No. 60/952,240, Inventor Name: Scheucher, filed Jul. 26, 2007.
 Application No. PCT/US07/61928, Inventor Name: Scheucher, filed Feb. 9, 2007.
 U.S. Appl. No. 29/266,852, Inventor Name: Scheucher, filed Sep. 29, 2006.
 U.S. Appl. No. 11/672,853, Inventor Name: Scheucher, filed Feb. 8, 2007.
 U.S. Appl. No. 11/672,957, Inventor Name: Scheucher, filed Feb. 8, 2007.
 U.S. Appl. No. 11/673,551, Inventor Name: Scheucher, filed Feb. 9, 2007.
 U.S. Appl. No. 11/851,504, Inventor Name: Scheucher, filed Sep. 7, 2007.
 U.S. Appl. No. 11/864,996, Inventor Name: Scheucher, filed Sep. 29, 2007.

* cited by examiner

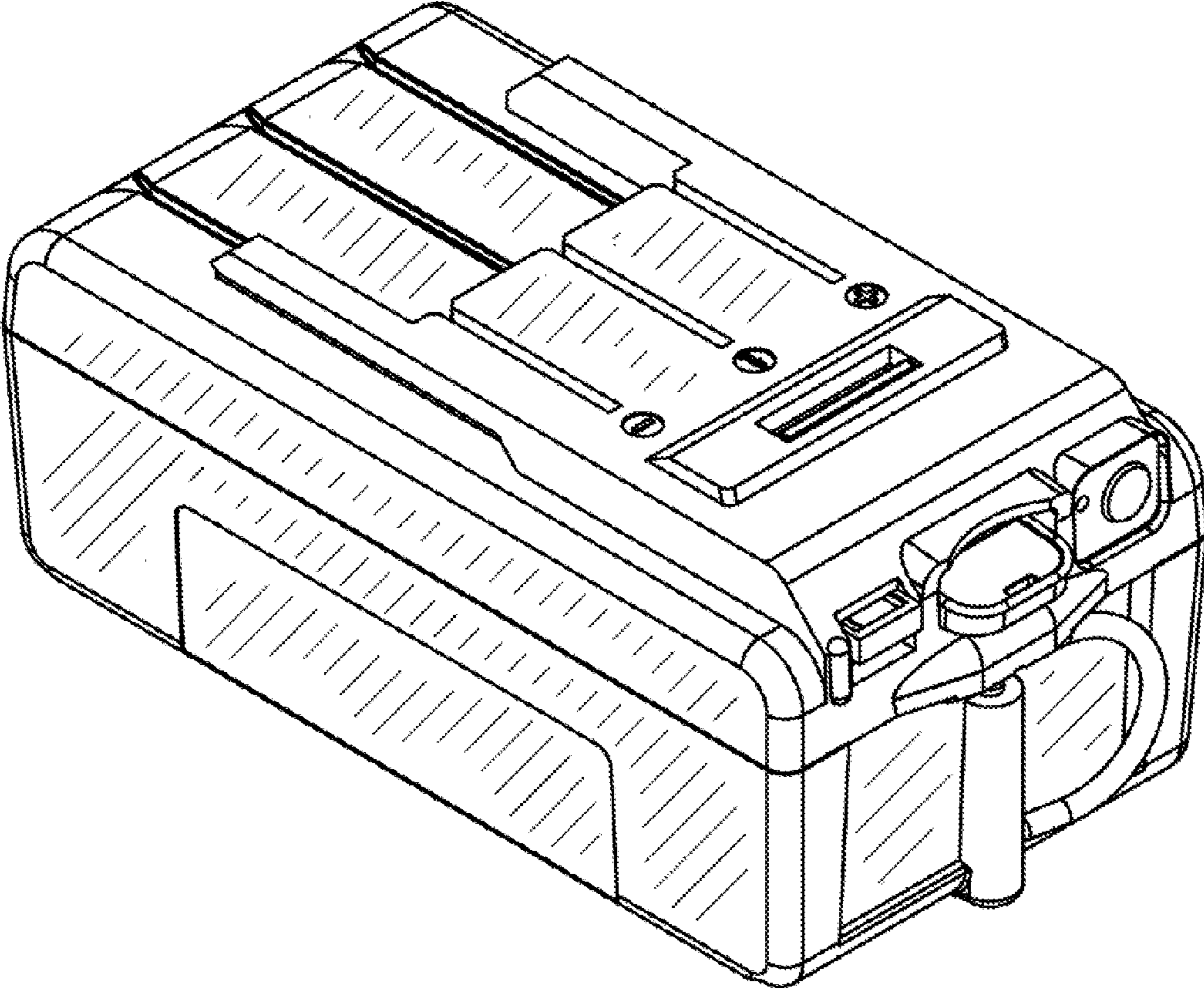


FIG. 1

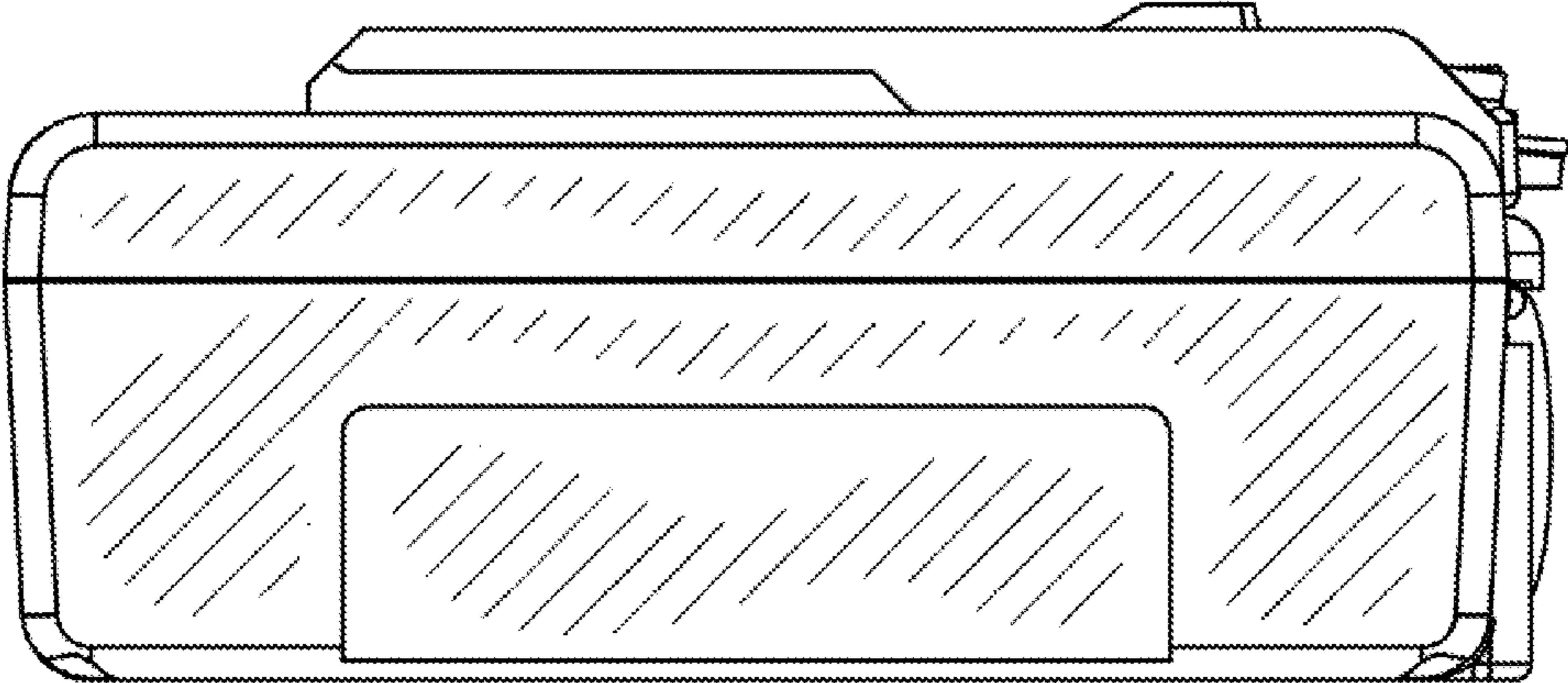


FIG. 2

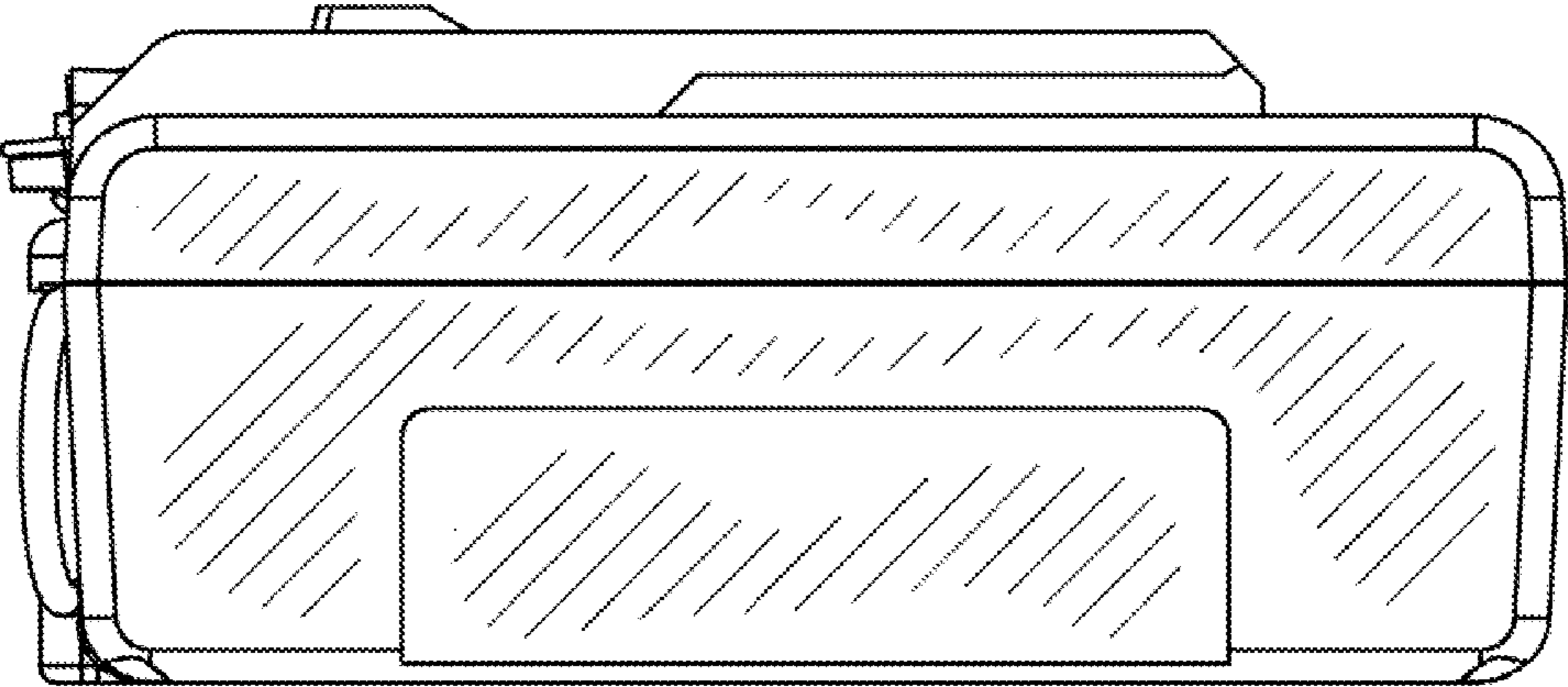


FIG. 3

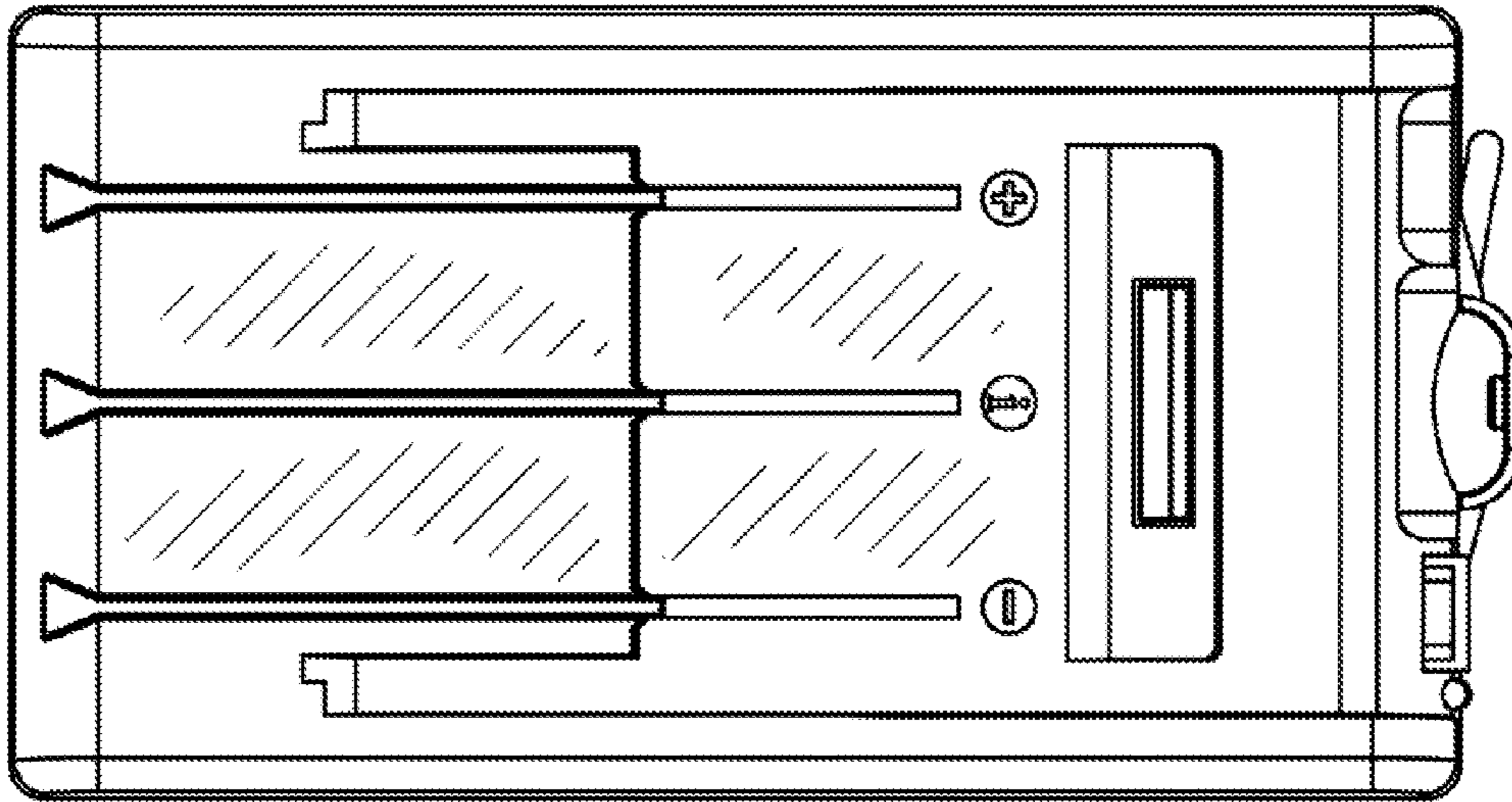


FIG. 4

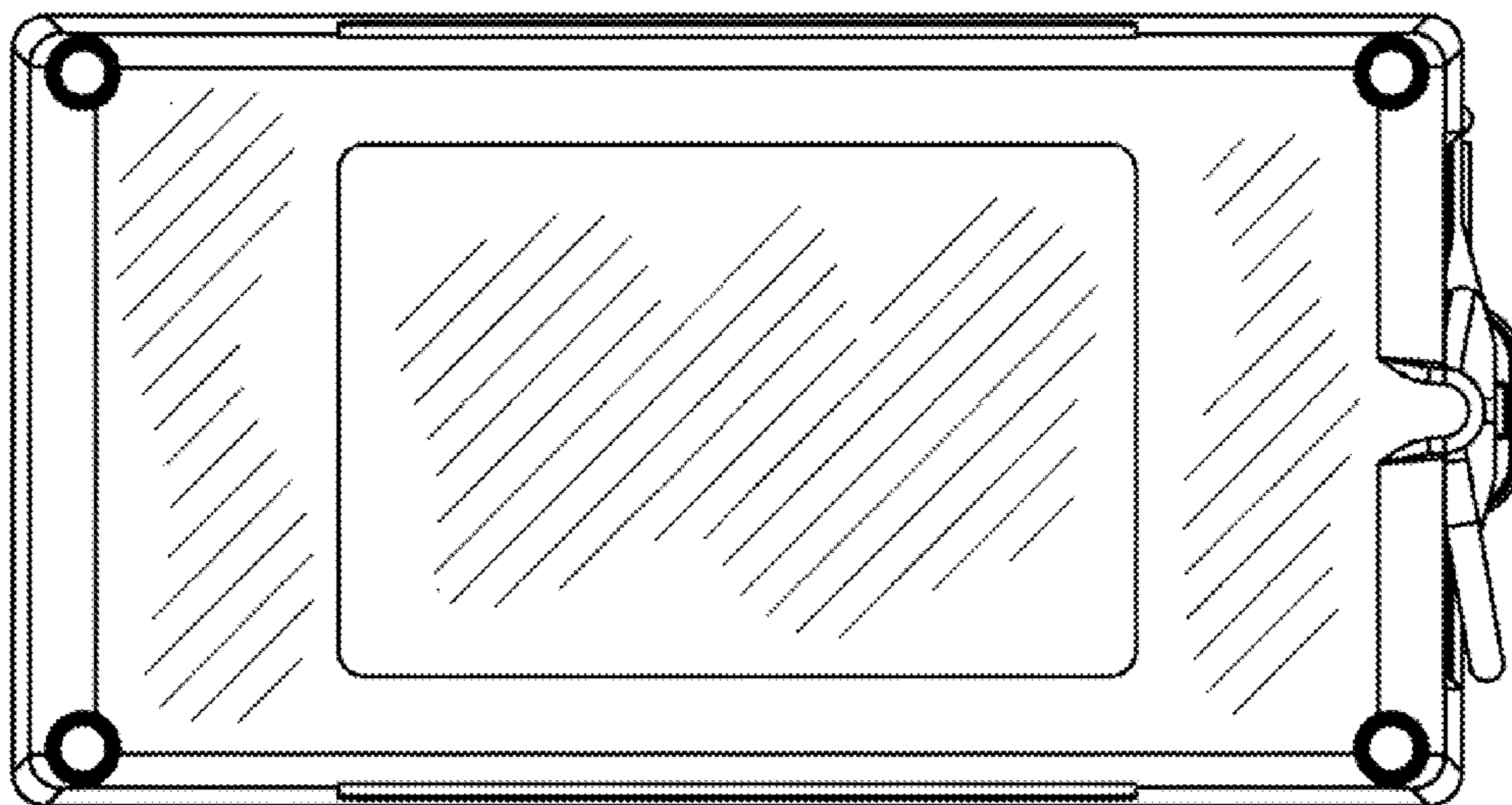


FIG. 5

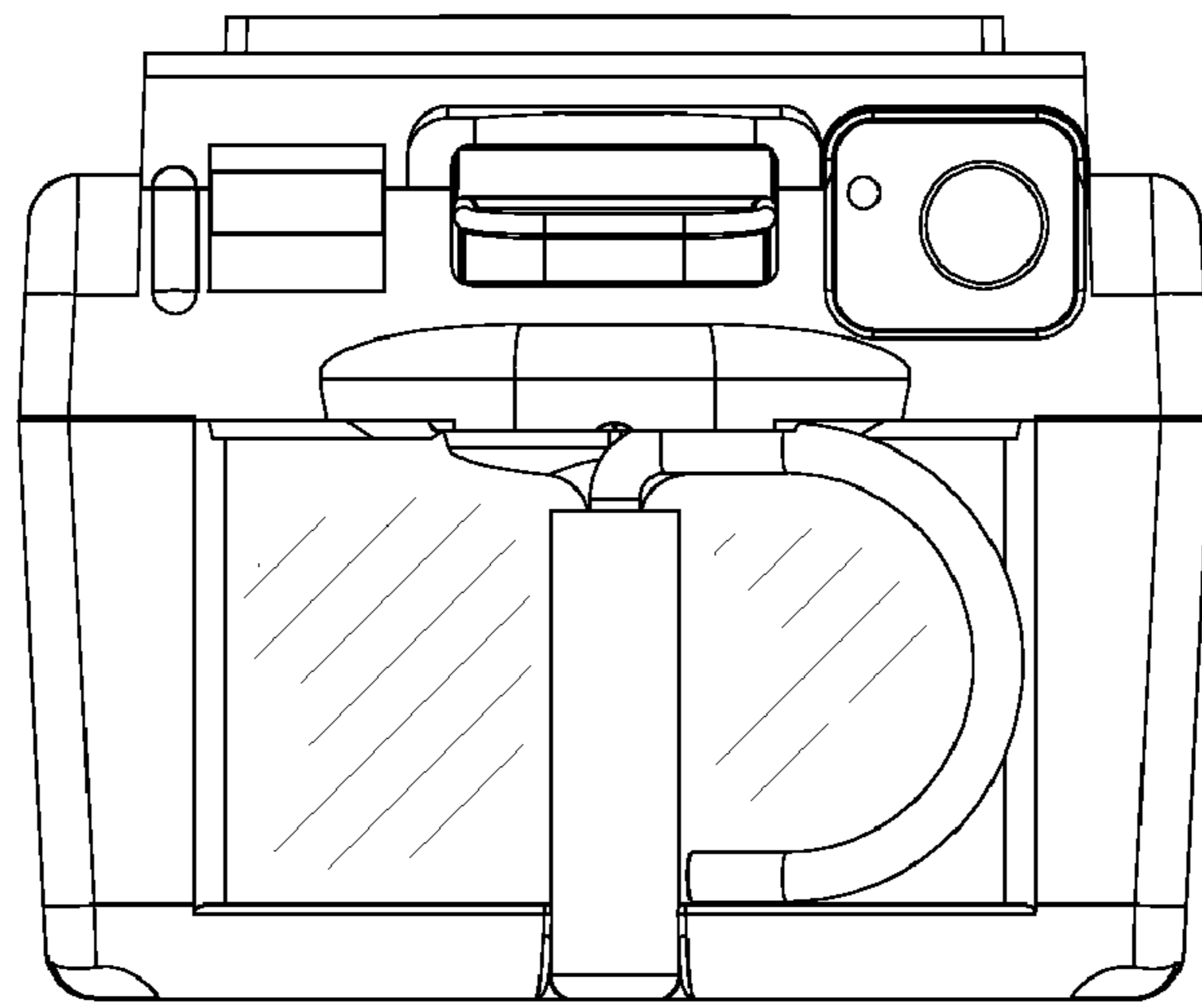


FIG. 6

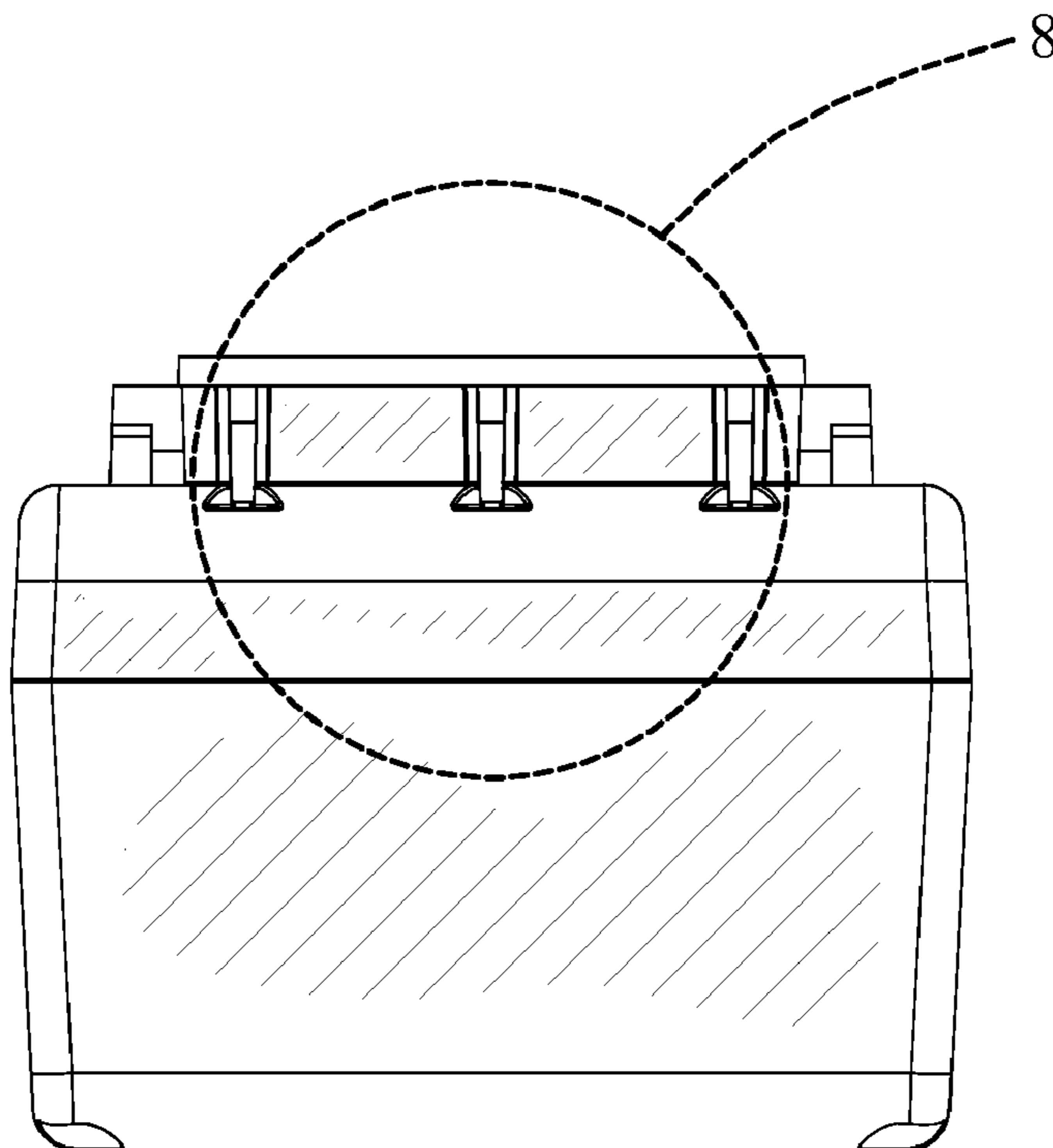


FIG. 7

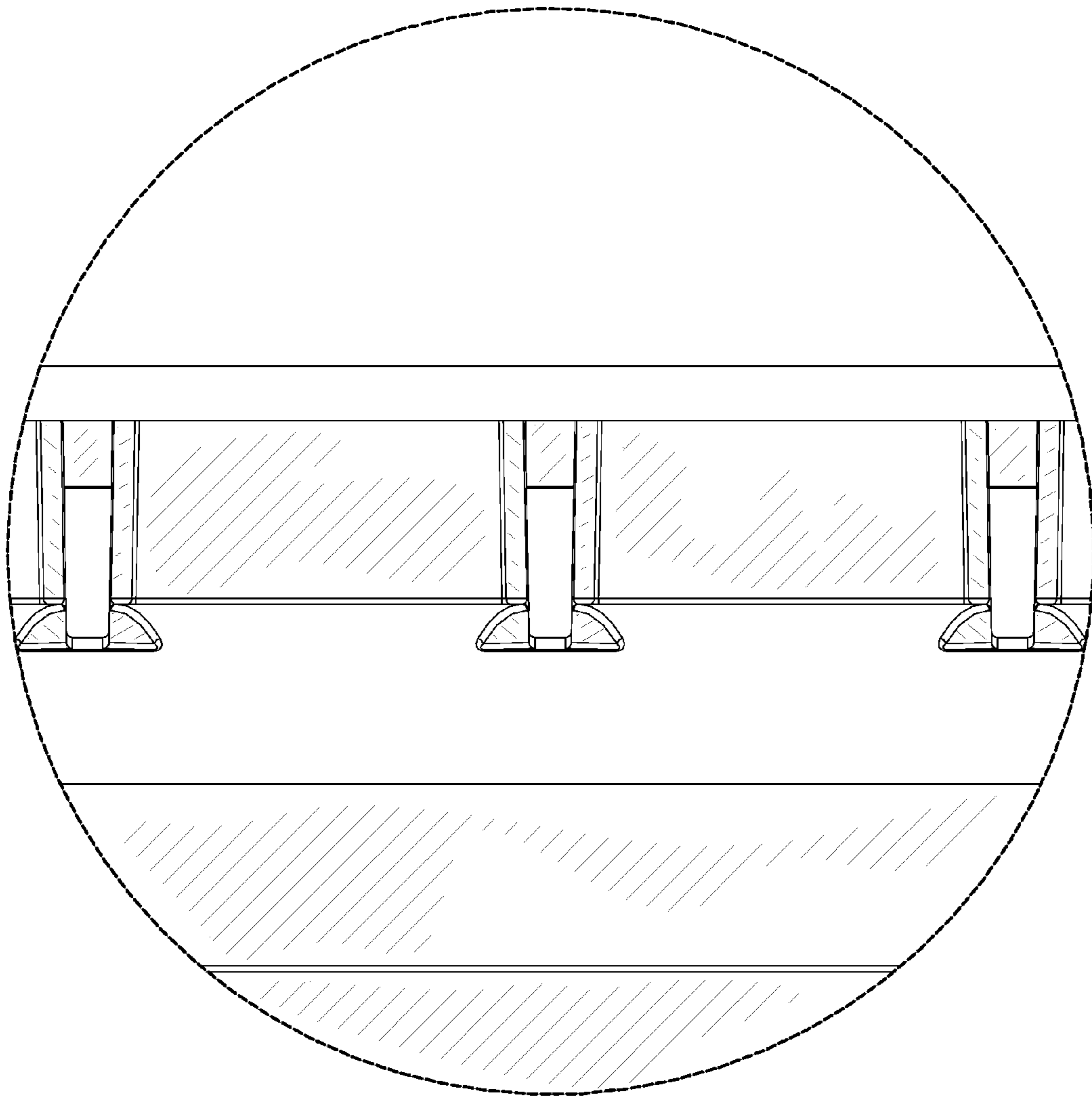


FIG. 8

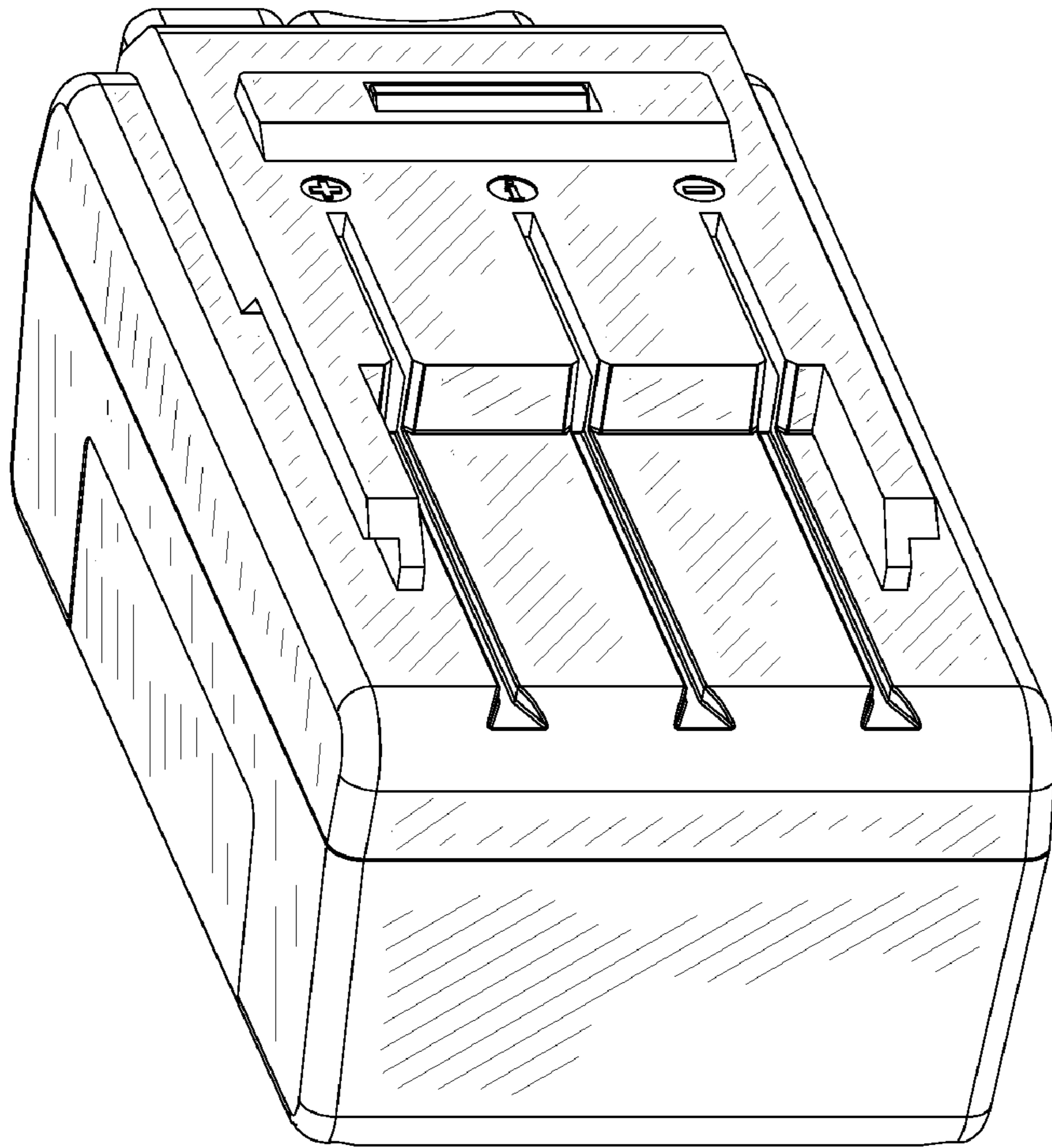


FIG. 9