



US00D601086S

(12) **United States Design Patent**  
**Maus et al.**

(10) **Patent No.:** **US D601,086 S**

(45) **Date of Patent:** **\*\* Sep. 29, 2009**

(54) **TIRE**

(75) Inventors: **Peter Johann Cornelius Maus**,  
Büllingen (BE); **Alexandre Andre Scharis**,  
Trois-ponts (BE); **Jacques Collette**,  
Bastogne (BE)

(73) Assignee: **The Goodyear Tire & Rubber Company**,  
Akron, OH (US)

(\*\*) Term: **14 Years**

(21) Appl. No.: **29/322,503**

(22) Filed: **Aug. 6, 2008**

(51) **LOC (9) Cl.** ..... **12-15**

(52) **U.S. Cl.** ..... **D12/602**

(58) **Field of Classification Search** ..... D12/544,  
D12/546, 560–561, 566–567, 568, 581–603,  
D12/900–901; 152/209.1, 209.8–209.18,  
152/209.25–209.28, 455

See application file for complete search history.

(56) **References Cited**

**U.S. PATENT DOCUMENTS**

D383,716 S *	9/1997	Brown et al. ....	D12/603
D385,520 S *	10/1997	Scheuren et al. ....	D12/602
D410,420 S	6/1999	de Barsy .....	D12/147
D425,830 S *	5/2000	Young .....	D12/602
D427,552 S *	7/2000	Young .....	D12/602
D427,954 S *	7/2000	De Coninck .....	D12/602
D444,109 S	6/2001	De Coninck et al. ....	D12/147
D449,022 S	10/2001	Cazin-Bourguignon et al. ....	D12/147
D455,709 S	4/2002	Dixon et al. ....	D12/588
D458,580 S	6/2002	Young et al. ....	D12/512
D478,864 S *	8/2003	Hiroko .....	D12/602
D490,367 S *	5/2004	Kindig et al. ....	D12/602
D500,288 S	12/2004	Maziarka et al. ....	D12/601
D502,683 S *	3/2005	Pang et al. ....	D12/602
D512,684 S *	12/2005	Robert .....	D12/602
D537,033 S *	2/2007	Dumigan et al. ....	D12/602

D548,174 S *	8/2007	Souchet .....	D12/602
D583,312 S *	12/2008	Murphy et al. ....	D12/602
D586,735 S *	2/2009	Lo .....	D12/602

\* cited by examiner

*Primary Examiner*—Stacia Cadmus

(74) *Attorney, Agent, or Firm*—Richard B. O’Planick

(57) **CLAIM**

The ornamental design for a tire, as shown and described.

**DESCRIPTION**

FIG. 1 is a perspective view of a tire showing our new design, it being understood that the pattern repeats uniformly throughout the circumference of the tread;

FIG. 2 is a front elevational view thereof;

FIG. 3 is a right side elevational view thereof; the opposite side elevational view being identical thereto;

FIG. 4 is an enlarged fragmentary front elevational view thereof;

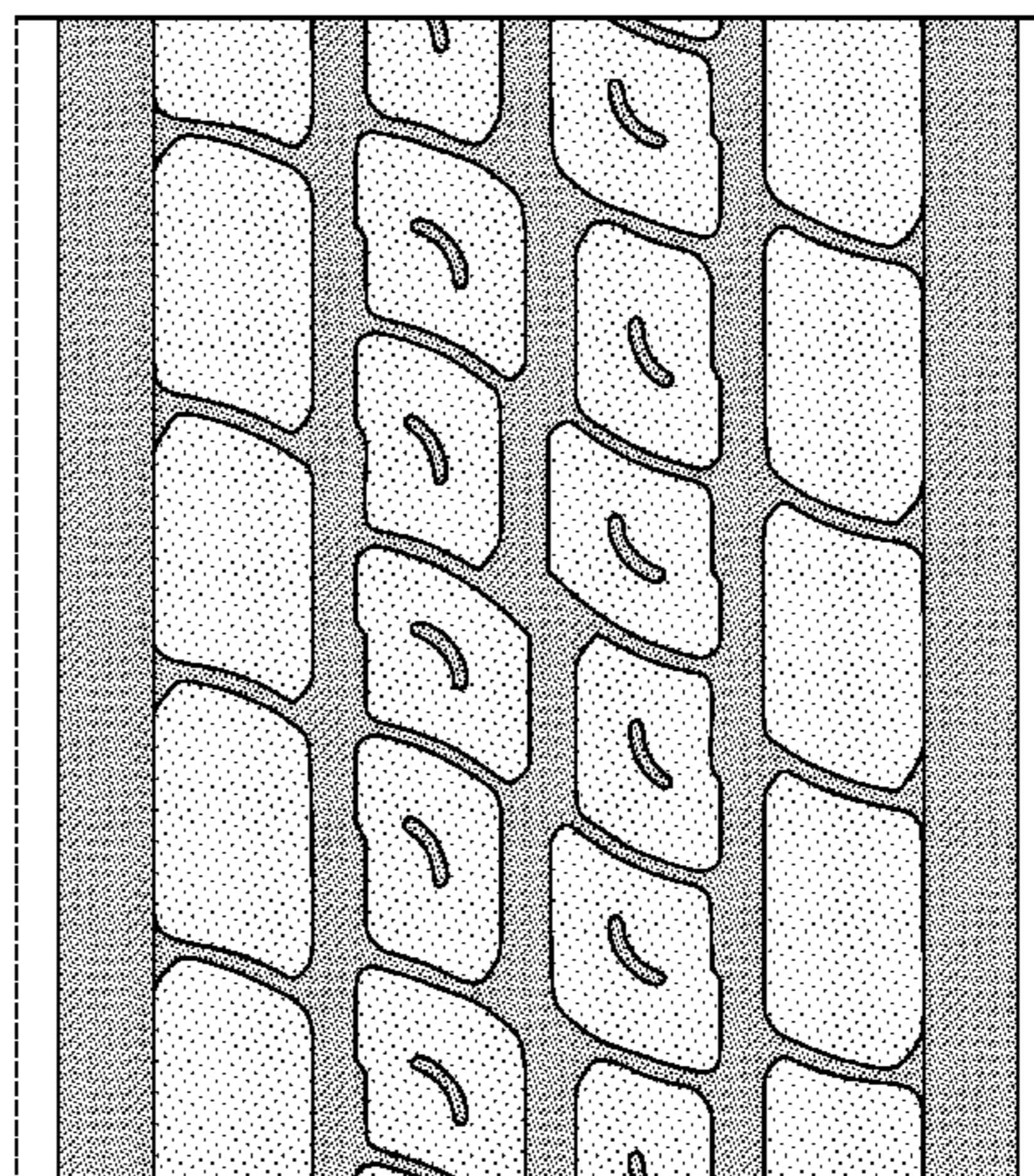
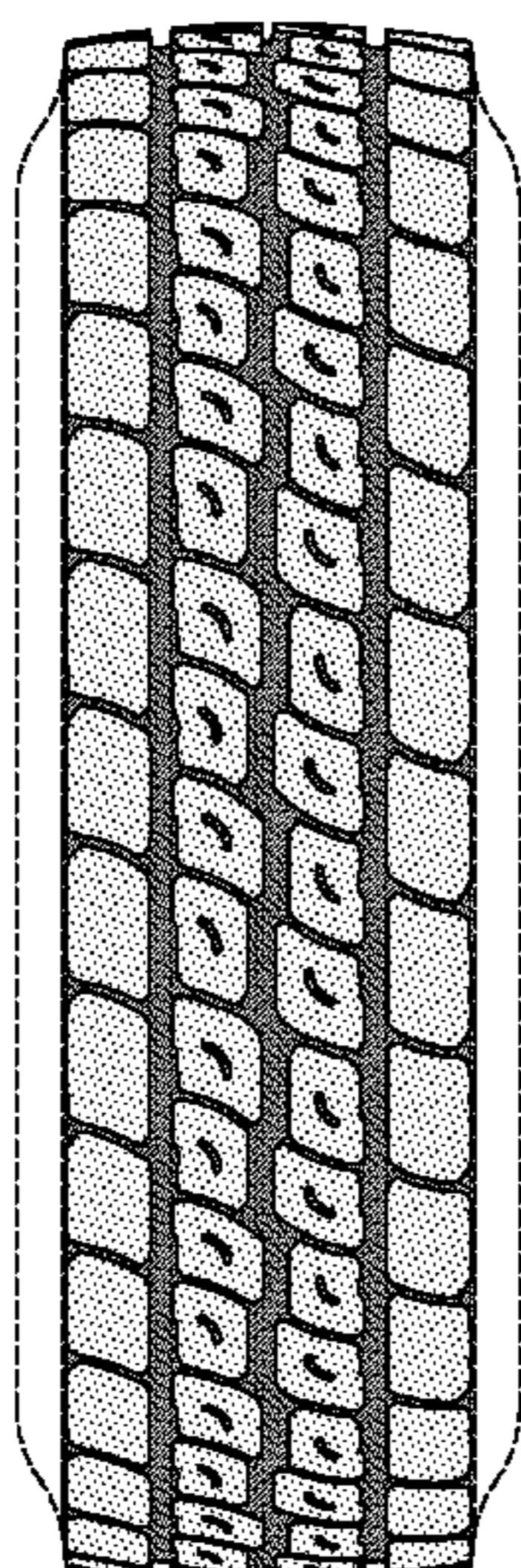
FIG. 5 is a perspective view of a second embodiment of a tire showing our new design, it being understood that the pattern repeats uniformly throughout the circumference of the tread and that the opposite side perspective view is identical thereto; and,

FIG. 6 is a front elevational view of a second embodiment, it being understood that an enlarged fragmentary view thereof would be substantially identical to that shown in FIG. 4, with the exception of the inclusion of the sidewall in solid lines.

In the drawings the broken lines defining the sidewall, inner bead and the peripheral boundary between the tire tread and the sidewall in FIGS. 1 through 4 are for illustrative purposes only and form no part of the claimed design.

The dark stippled surface shading represents the recessed portion of the tread grooves having a depth as best shown in FIG. 2.

**1 Claim, 6 Drawing Sheets**



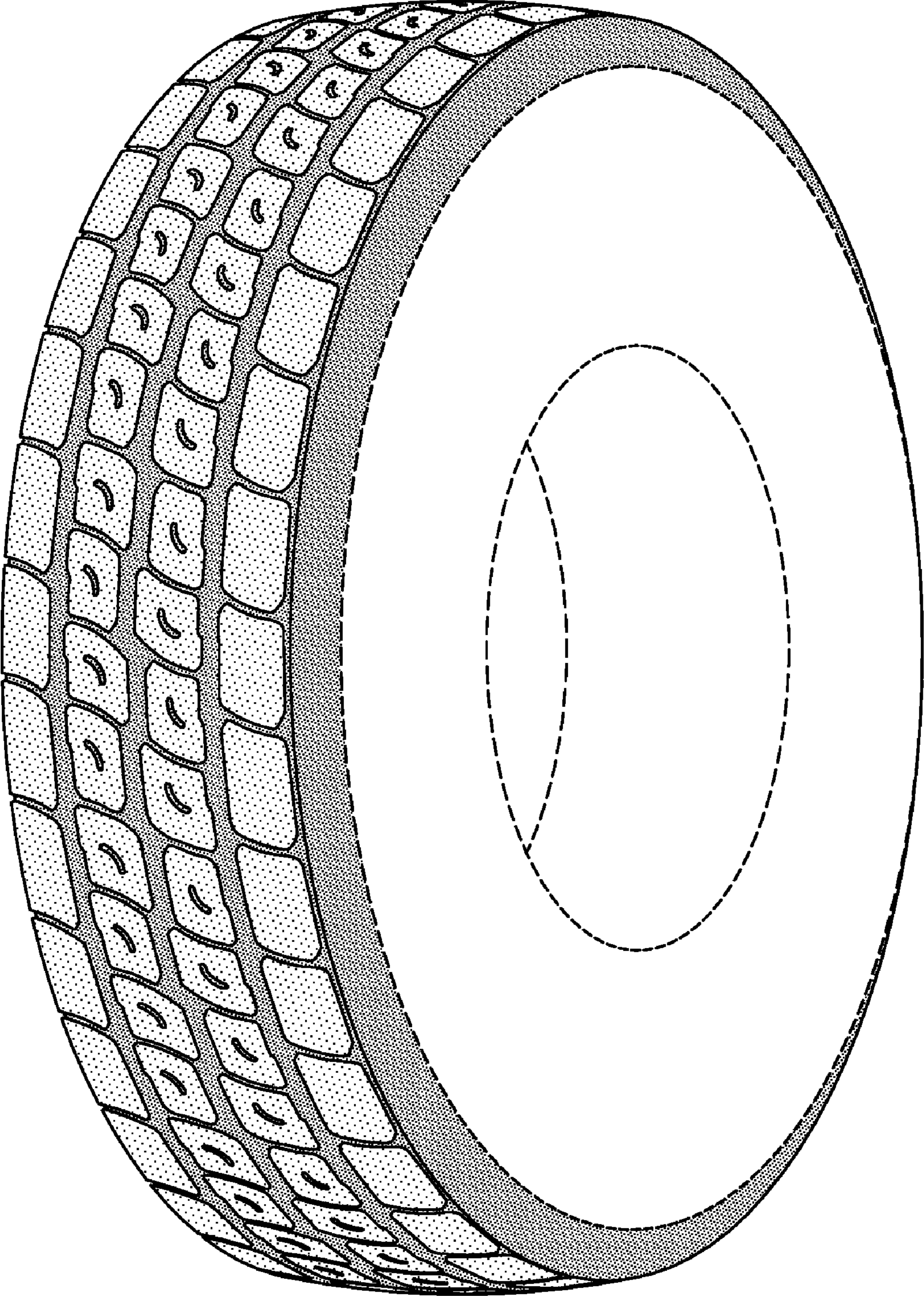


FIG-1

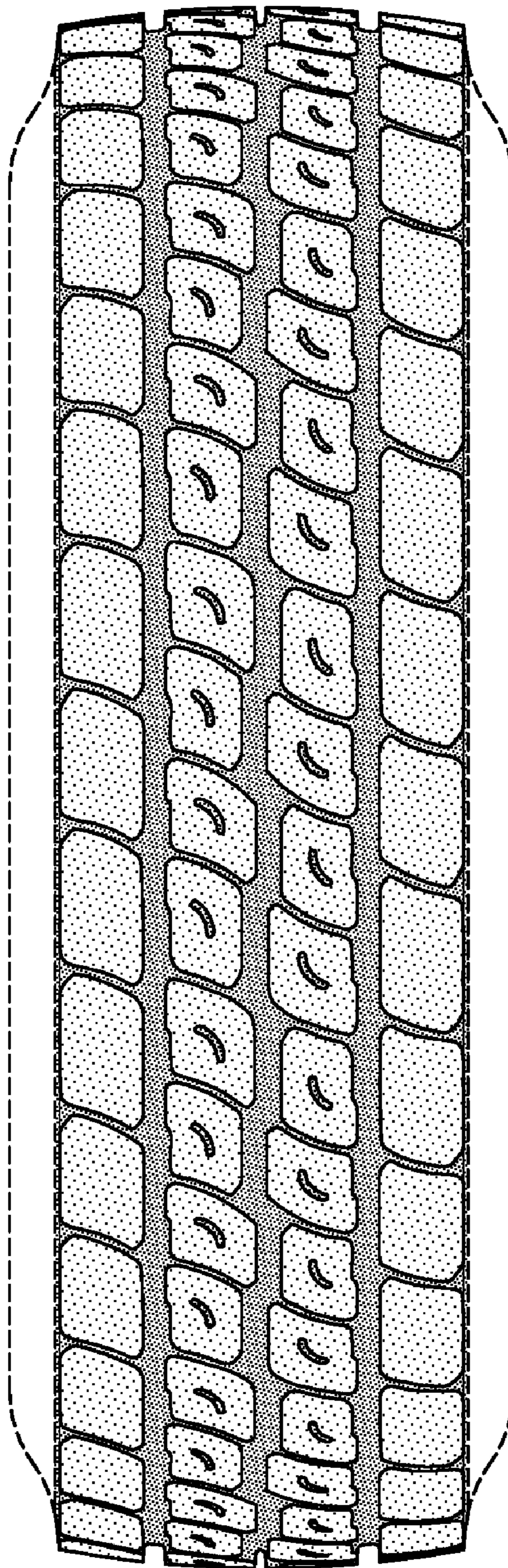


FIG-2

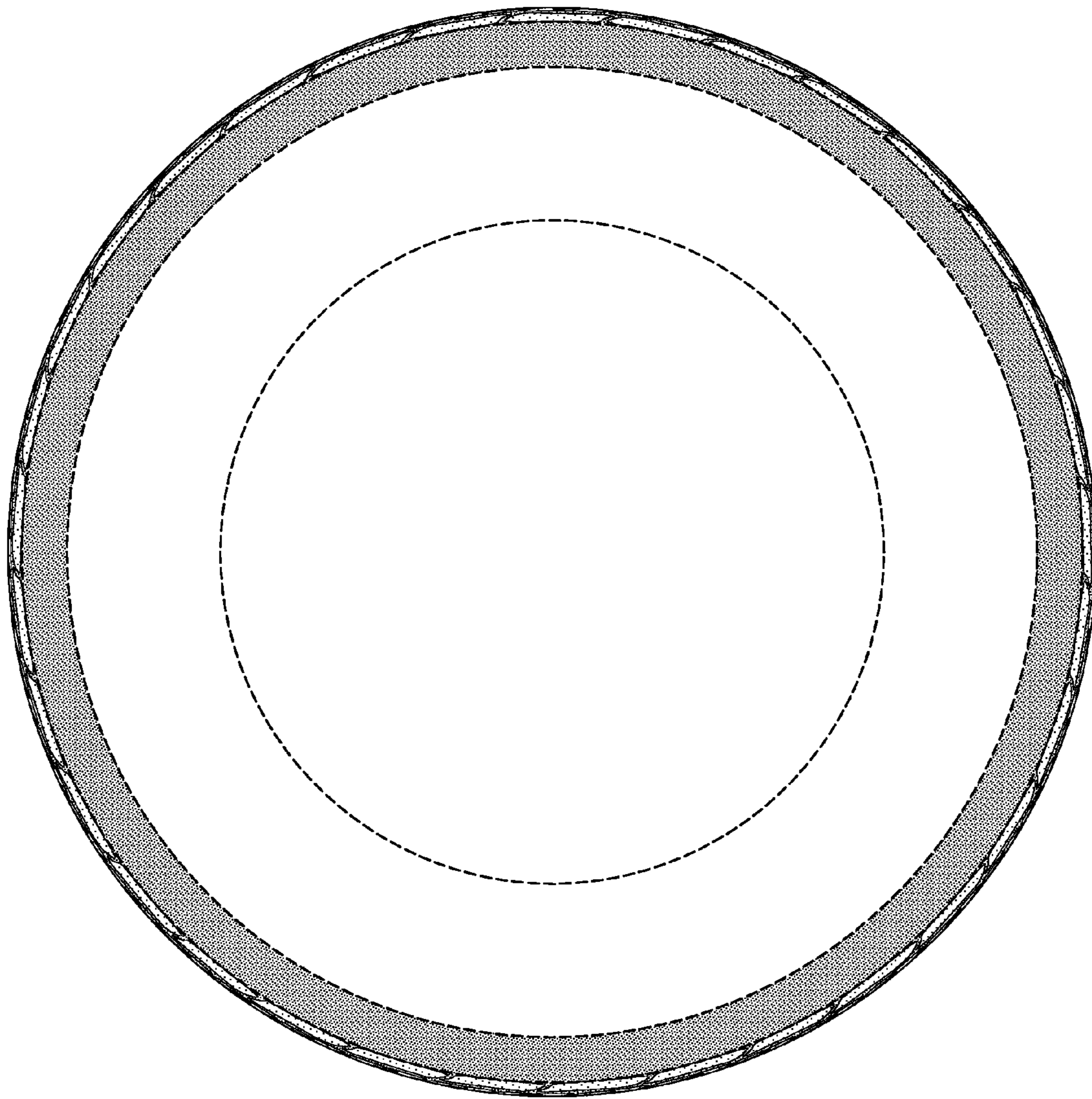


FIG-3

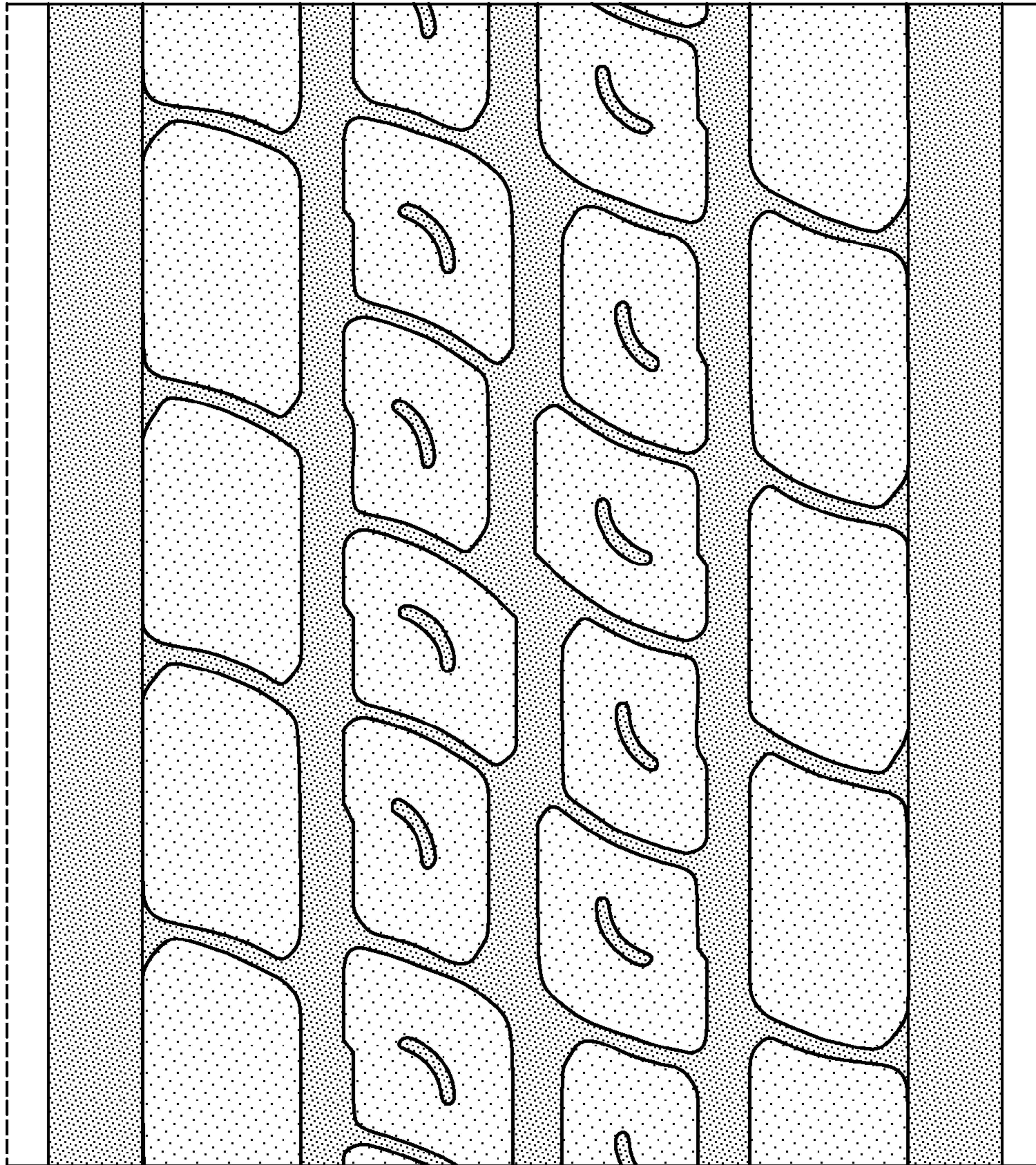


FIG-4

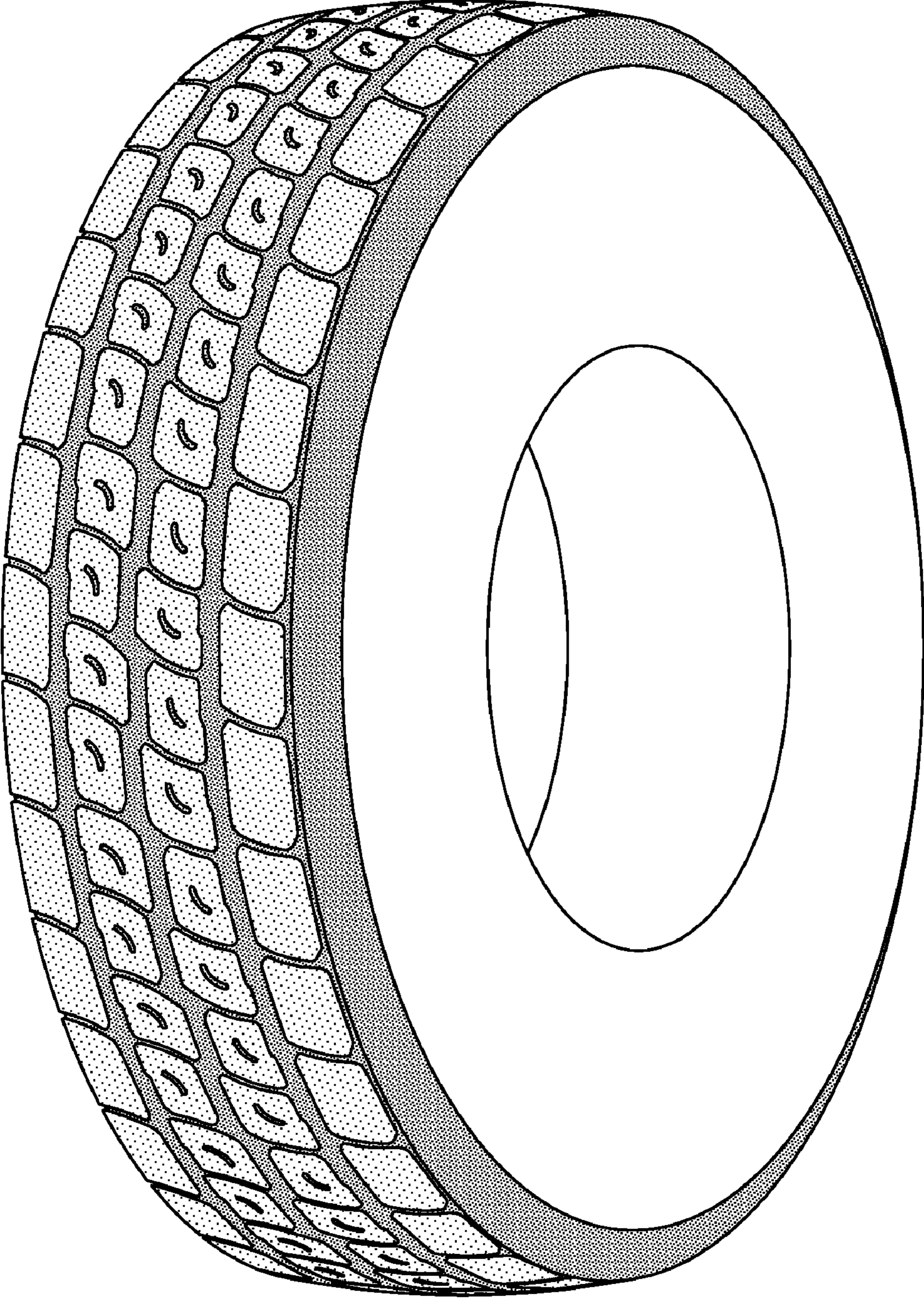


FIG-5

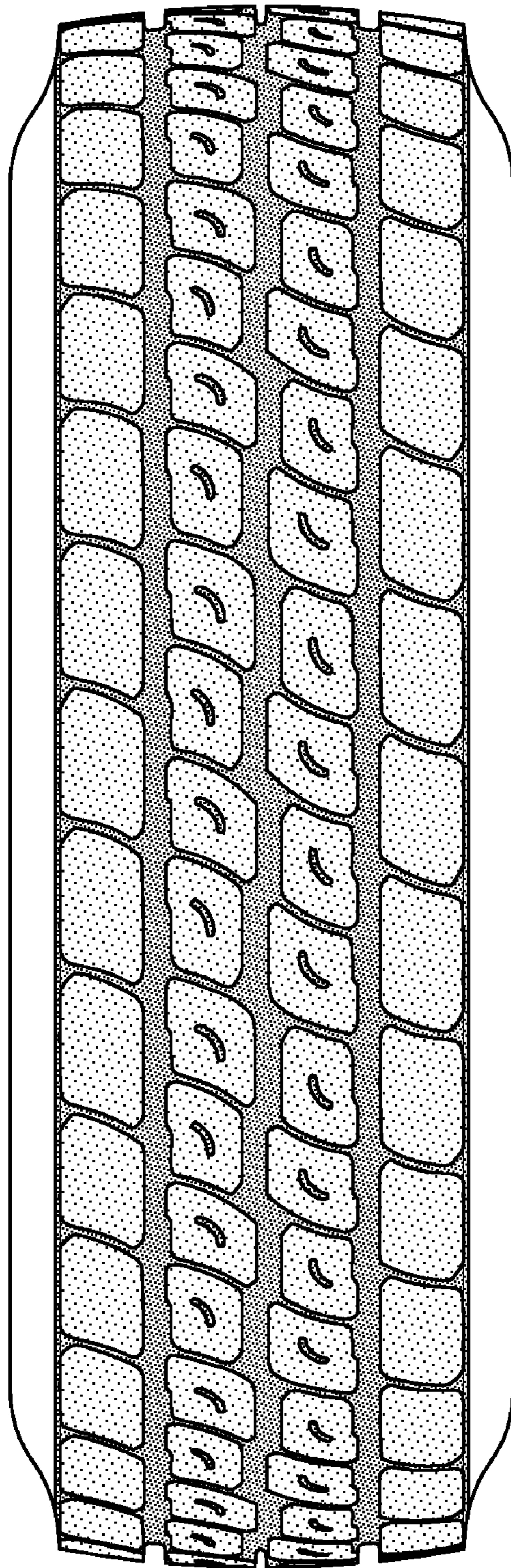


FIG-6