



US00D601078S

(12) **United States Design Patent**
Devereux

(10) **Patent No.:** **US D601,078 S**

(45) **Date of Patent:** **** Sep. 29, 2009**

(54) **LOAD CARRIER FOR A VEHICLE**

D586,287 S * 2/2009 McBride D12/406

* cited by examiner

(75) Inventor: **Scott Devereux**, Buckinghamshire (GB)

Primary Examiner—Elizabeth A Albert

Assistant Examiner—Kelley A Donnelly

(73) Assignee: **From Mind To Matter Limited**,
Rickmansworth (GB)

(74) *Attorney, Agent, or Firm*—Davis & Bujold, P.L.L.C.

(**) Term: **14 Years**

(57) **CLAIM**

(21) Appl. No.: **29/328,290**

I claim the ornamental design for a load carrier for a vehicle,
as shown and described.

(22) Filed: **Nov. 21, 2008**

DESCRIPTION

(51) **LOC (9) Cl.** **12-16**

FIG. 1 is a perspective view of a load carrier for a vehicle
embodying my new design with the removable cover shown
in the operative position;

(52) **U.S. Cl.** **D12/406**

FIG. 2 is a left side elevational view thereof;

(58) **Field of Classification Search** D12/412–414.1,
D12/157, 406, 423; 224/42.3 R, 42.3 A,
224/42.07

FIG. 3 is a right elevational view thereof;

See application file for complete search history.

FIG. 4 is a front side elevational view thereof;

(56) **References Cited**

FIG. 5 is a rear elevational view thereof;

U.S. PATENT DOCUMENTS

FIG. 6 is a bottom plan view thereof;

4,241,858 A * 12/1980 Lawroski 224/513

FIG. 7 is a top plan view thereof;

4,320,862 A * 3/1982 Bettenhausen 224/492

FIG. 8 is a perspective view thereof with the removable cover
removed and not shown for ease of illustration;

D280,313 S * 8/1985 Jackson et al. D12/423

FIG. 9 is a left side elevational view of the load carrier for a
vehicle showing the transport position once affixed to a
vehicle with a portion of the straps shown in broken lines;

D288,193 S * 2/1987 Caron D12/412

FIG. 10 is a front perspective view of a load carrier for a
vehicle shown in its folded and stored position;

D327,044 S * 6/1992 Smith et al. D12/413

FIG. 11 is a rear perspective view of a load carrier for a vehicle
shown in its folded and stored position; and,

D328,731 S * 8/1992 Smith et al. D12/313

FIG. 12 is a left side elevational view showing an alternative
arrangement for the straps.

D346,779 S * 5/1994 Liscinsky D12/414.1

D352,496 S * 11/1994 Gower D12/414.1

5,375,773 A * 12/1994 Lewis 239/650

D400,159 S * 10/1998 Niemi et al. D12/423

D447,996 S * 9/2001 Belinky et al. D12/406

D459,287 S * 6/2002 Beard et al. D12/406

D467,397 S * 12/2002 McCoy et al. D32/53

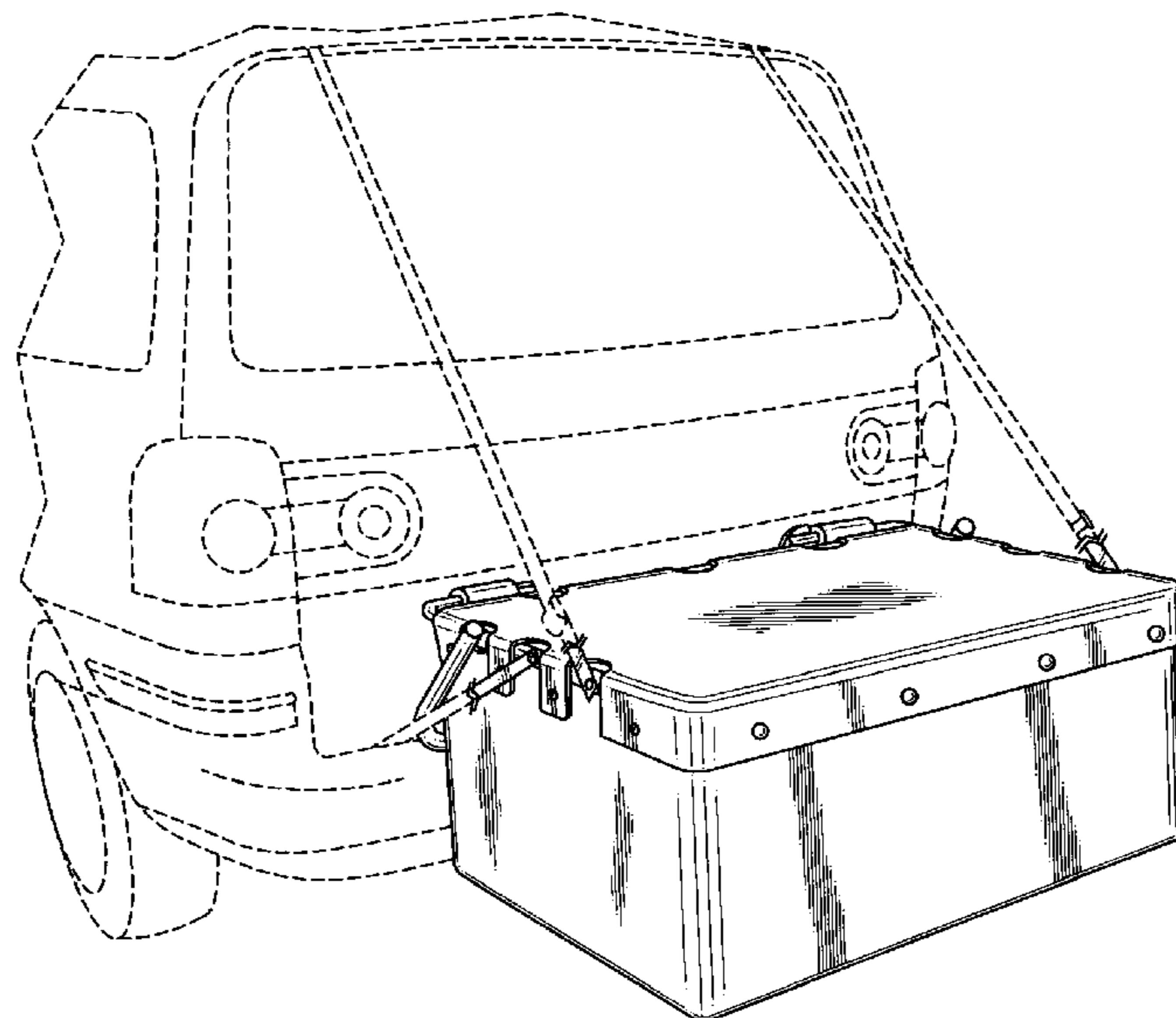
D484,453 S * 12/2003 Harris D12/406

D519,439 S * 4/2006 Dahl et al. D12/407

D535,936 S * 1/2007 Greene D12/414.1

D539,727 S * 4/2007 O'Connor et al. D12/414.1

1 Claim, 6 Drawing Sheets



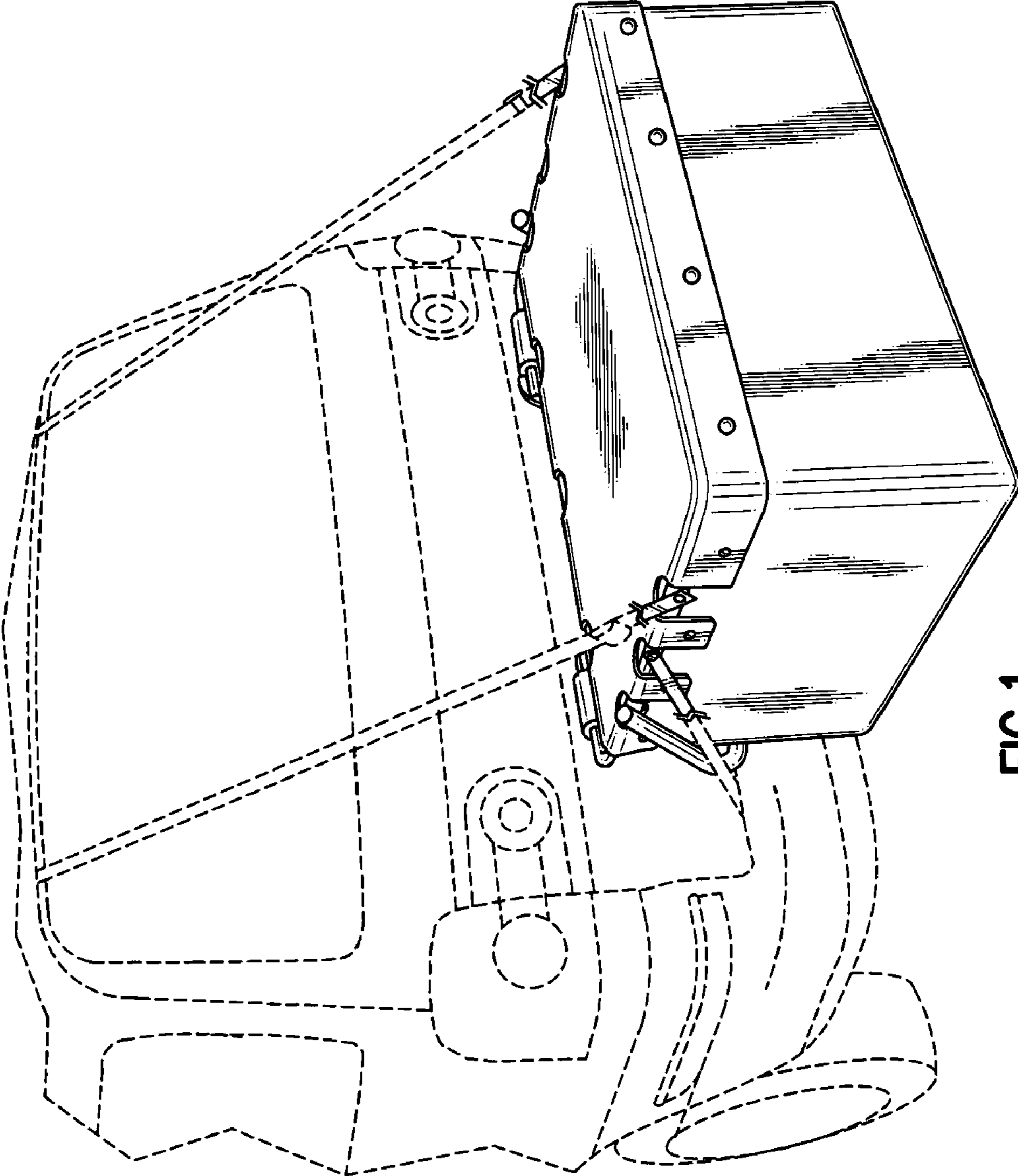


FIG.1

FIG.3

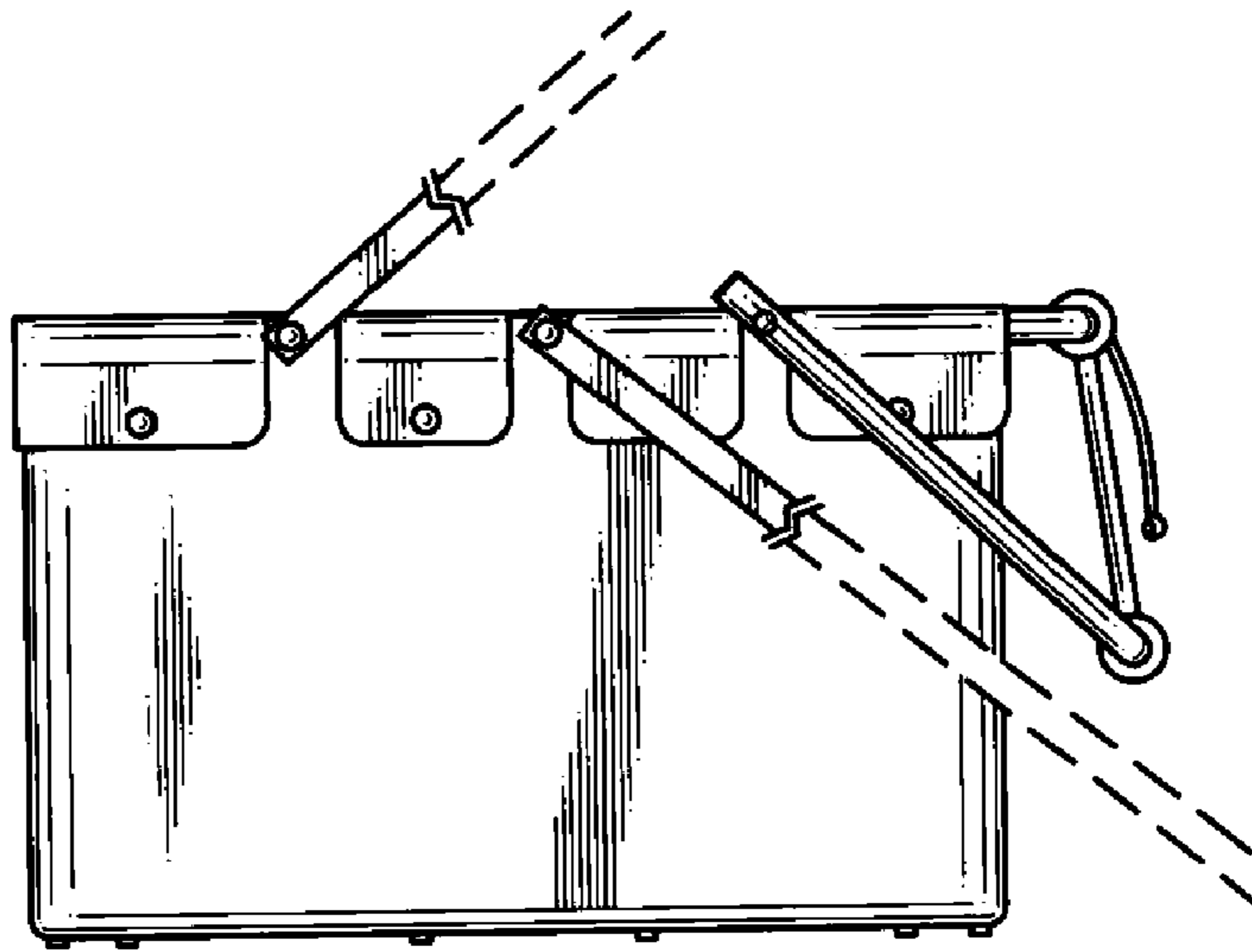


FIG.2

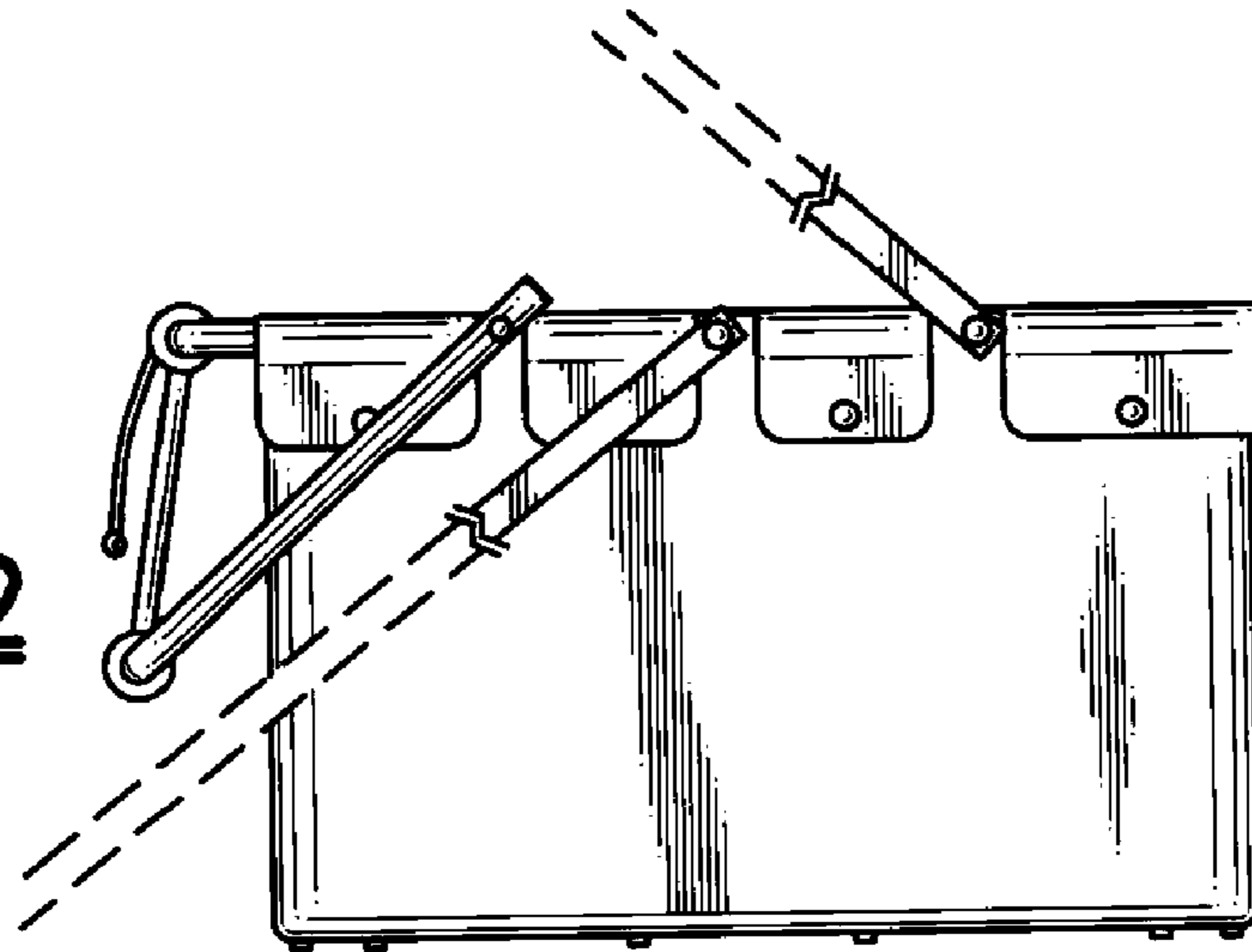


FIG.12

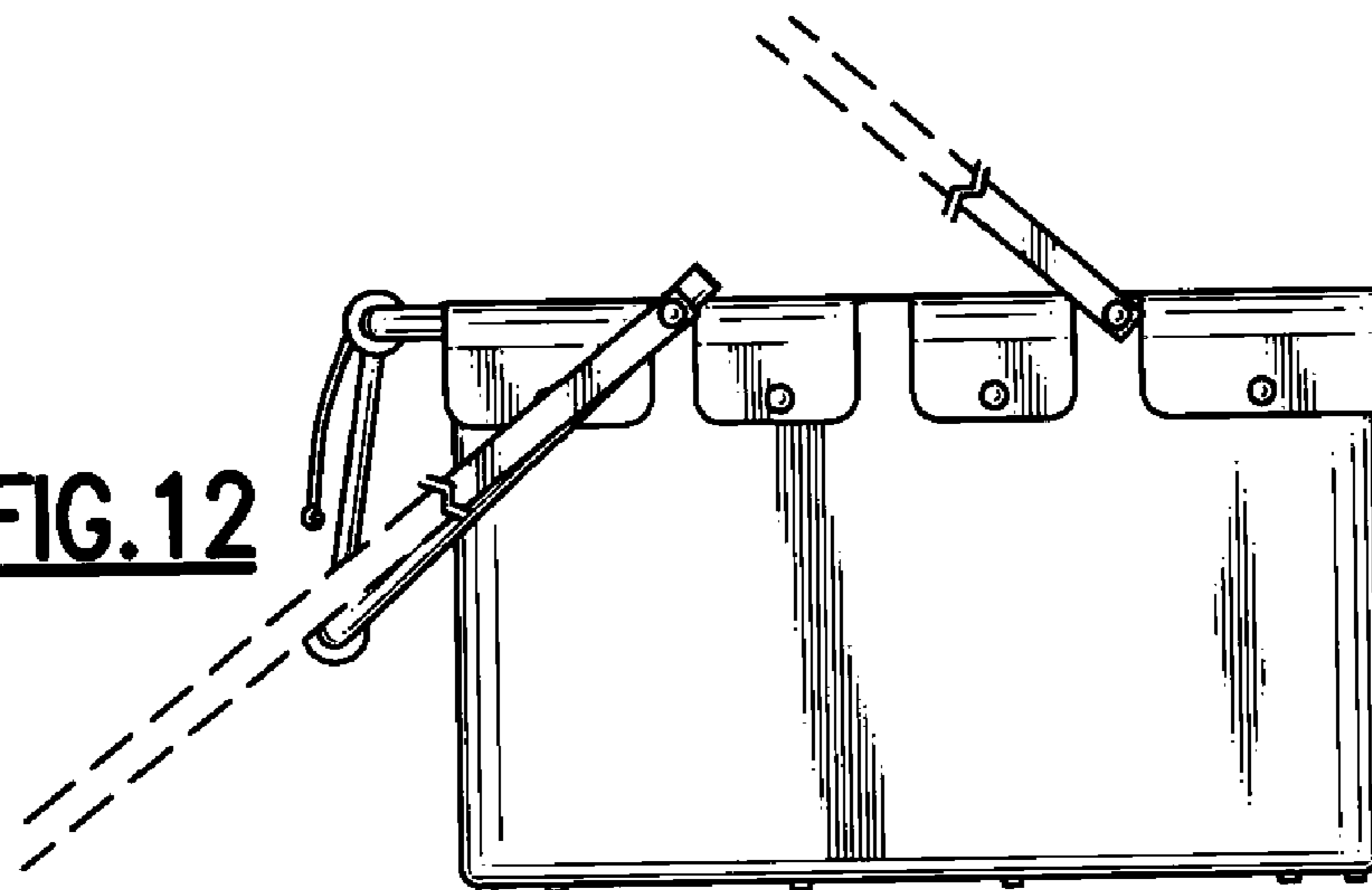


FIG.7

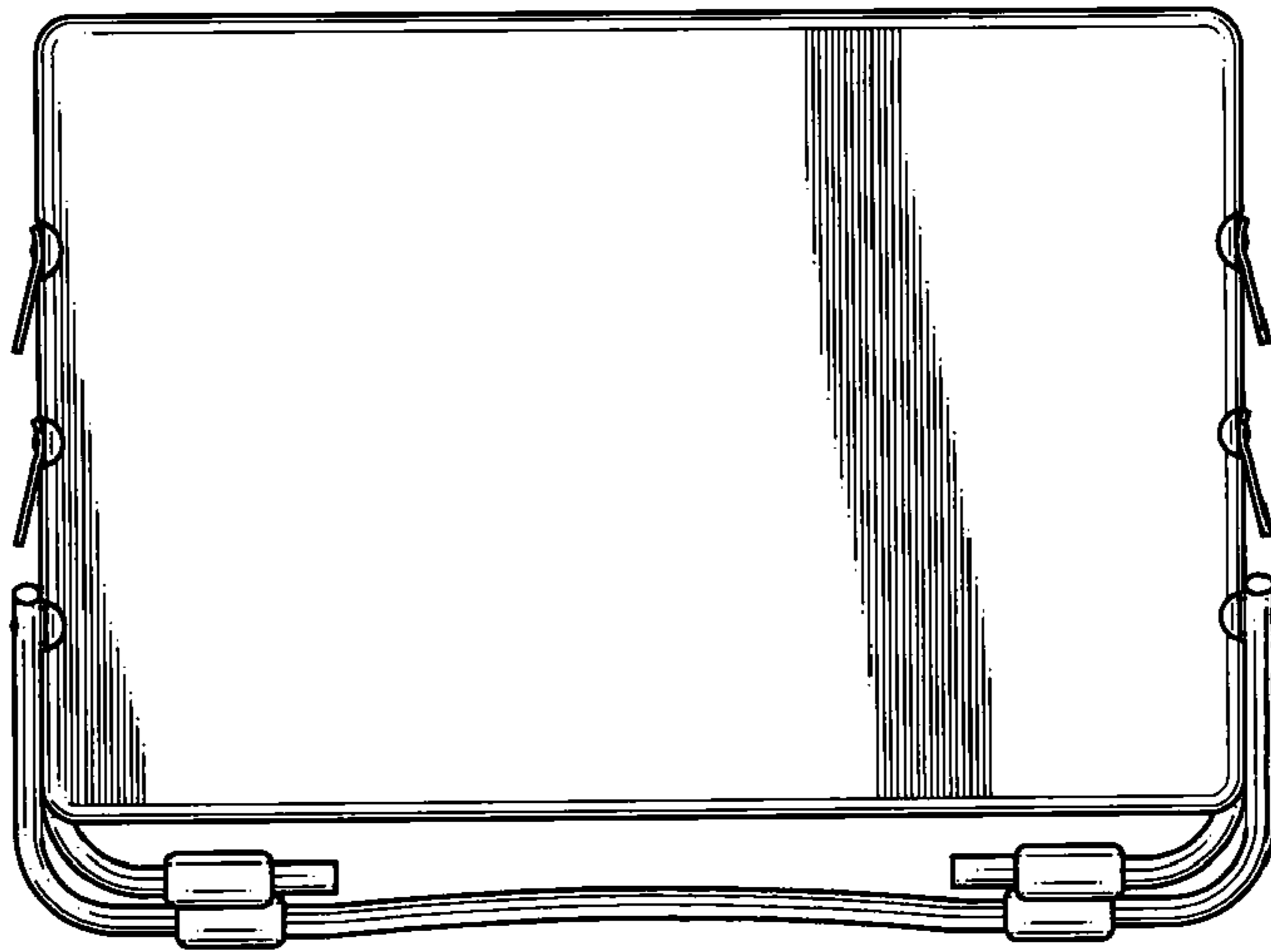


FIG.5

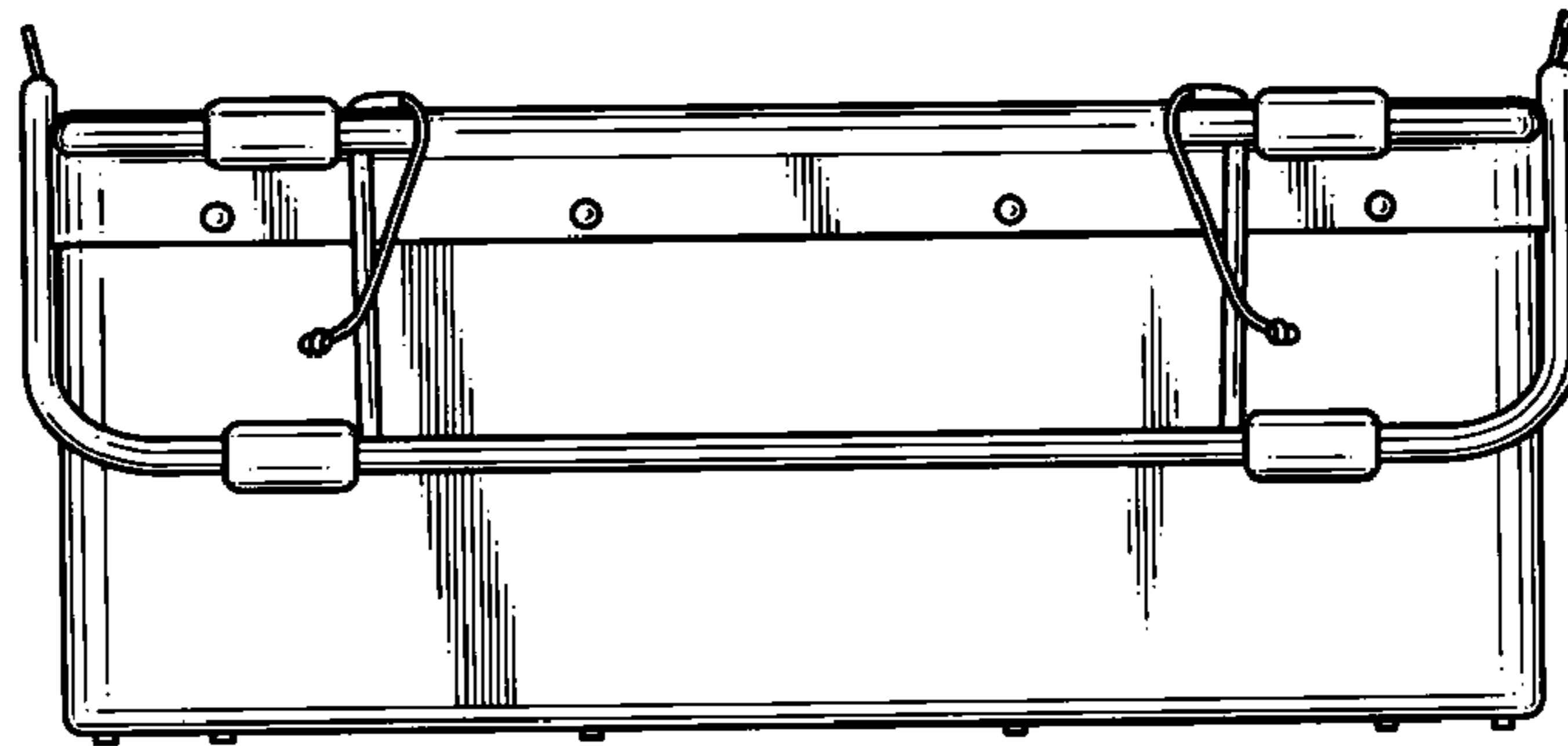


FIG.6

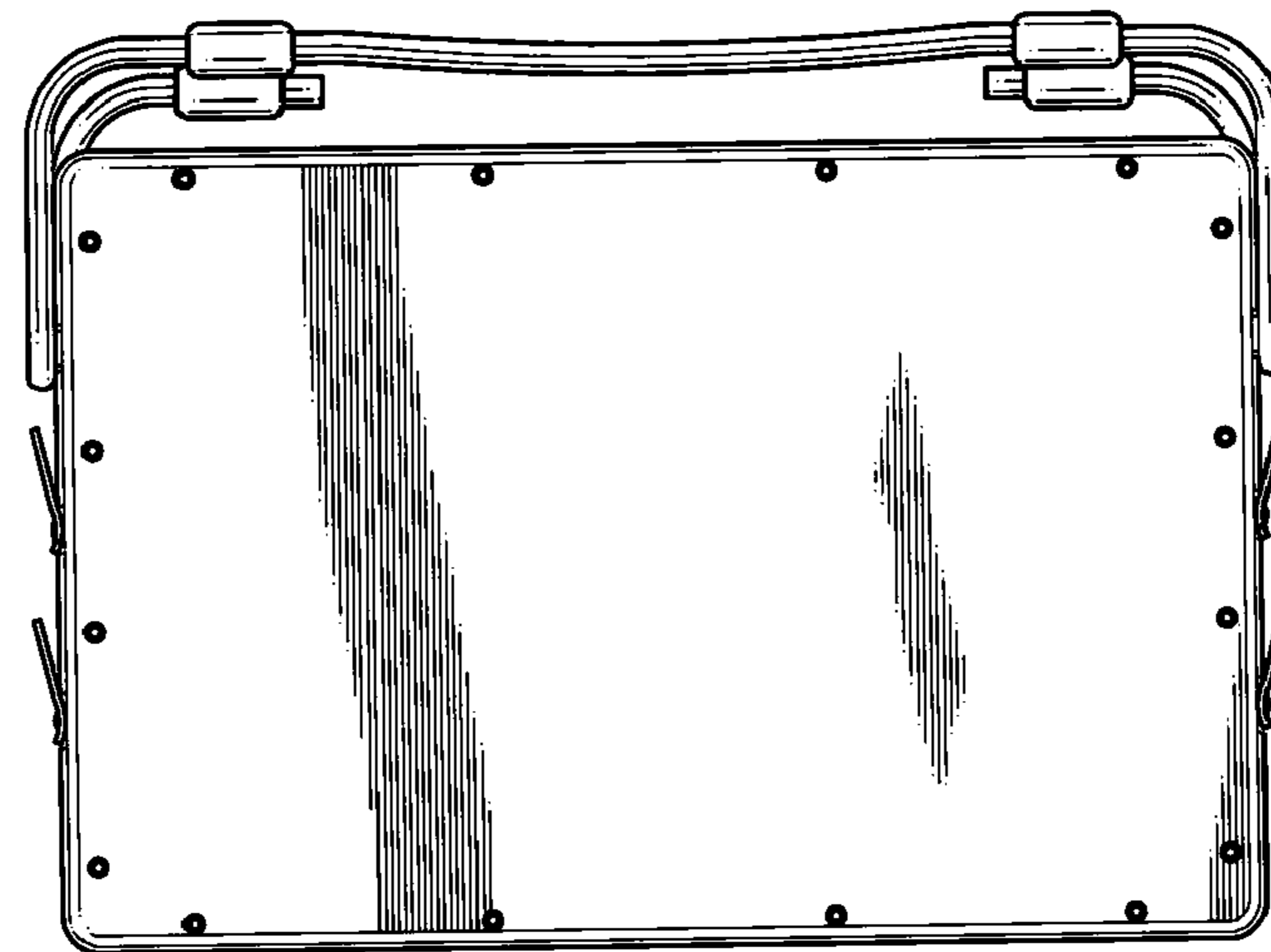
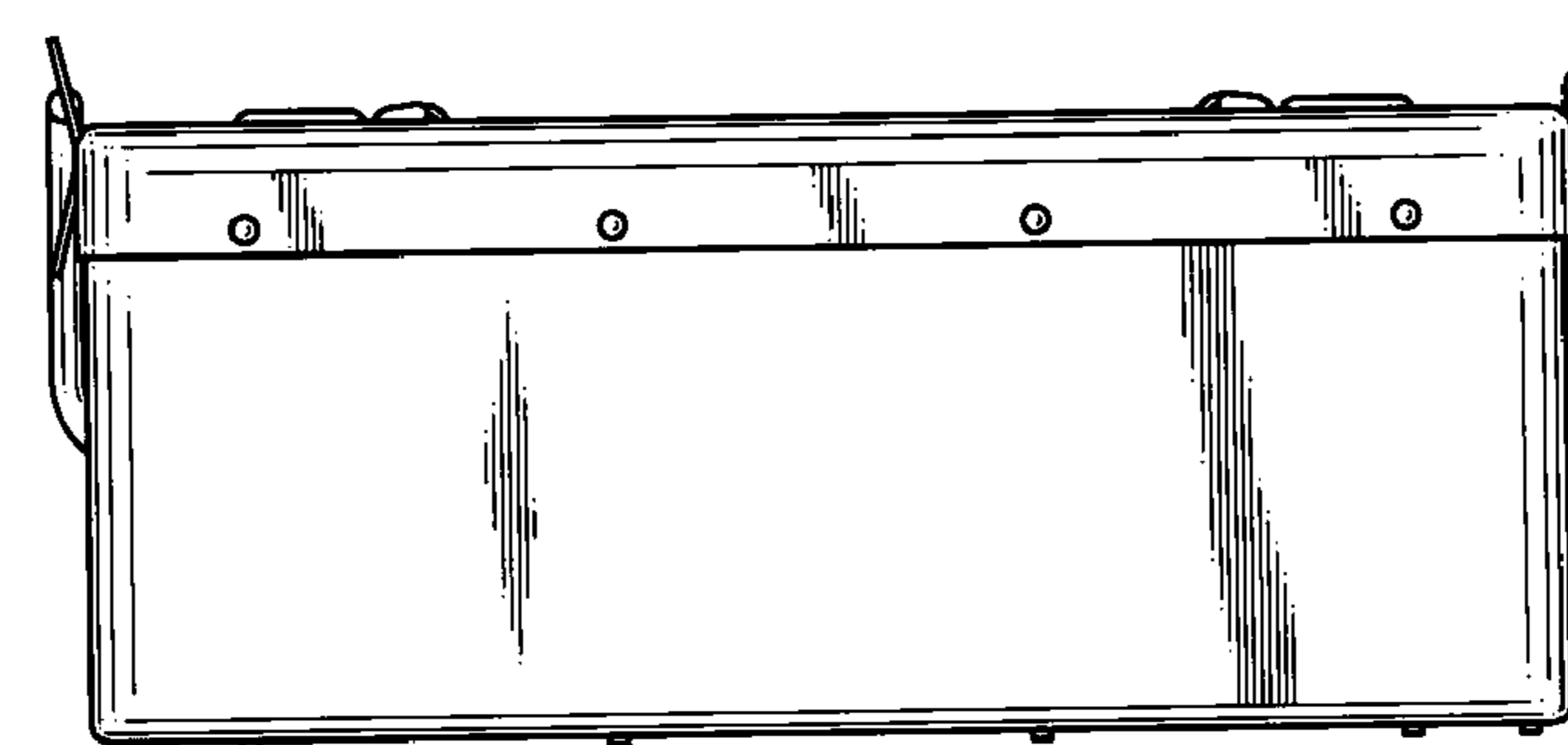


FIG.4



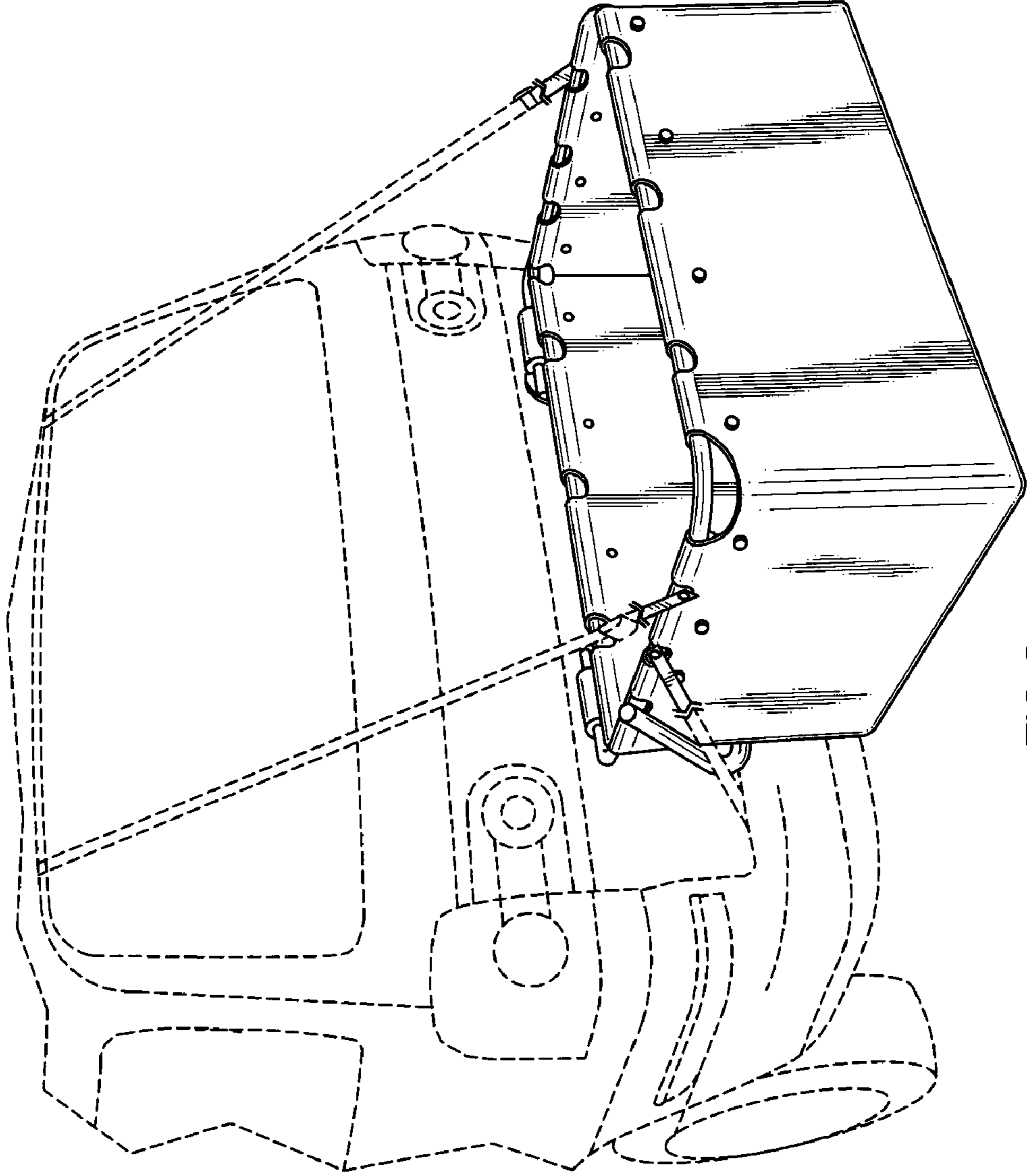


FIG. 8

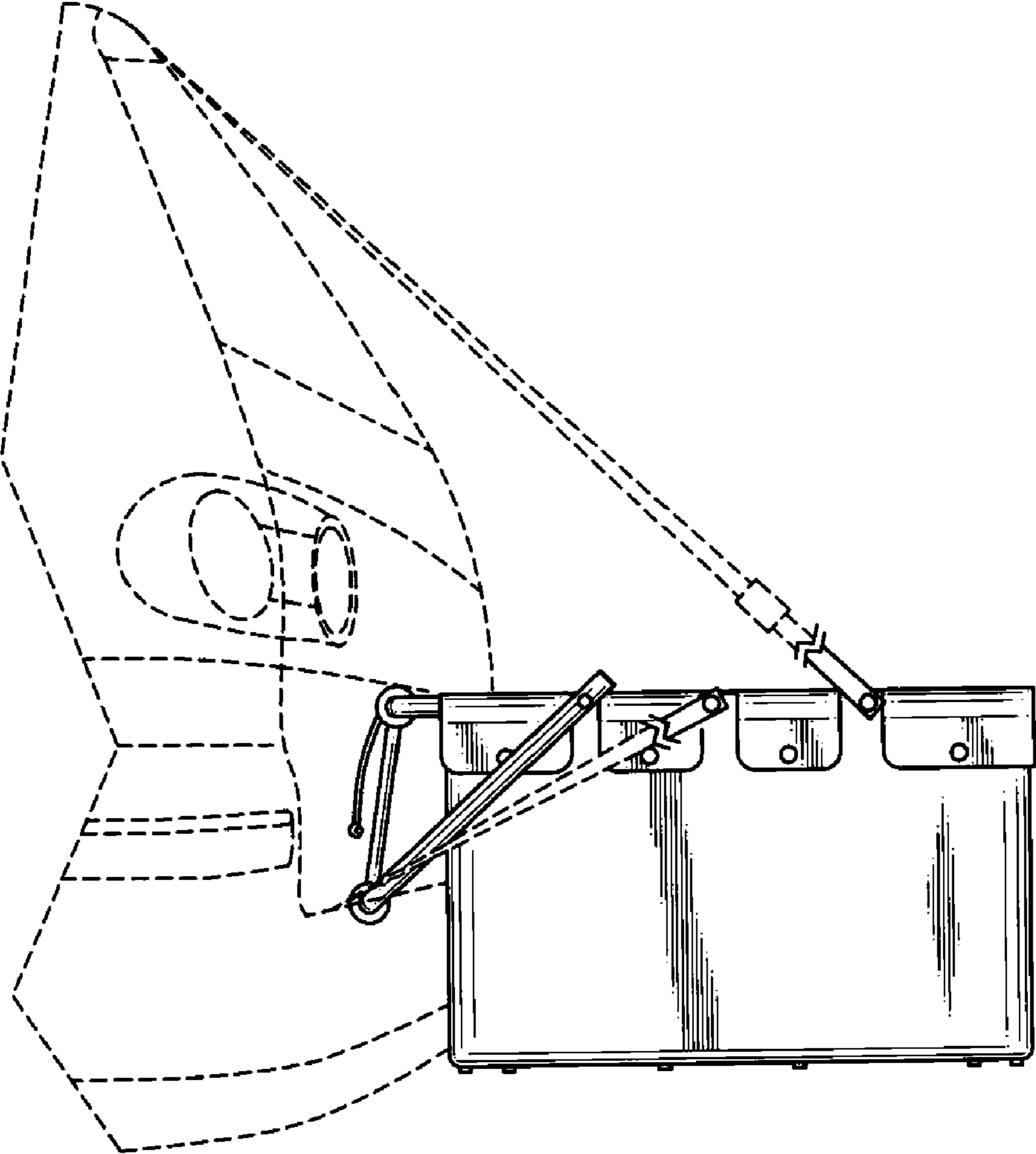


FIG.9

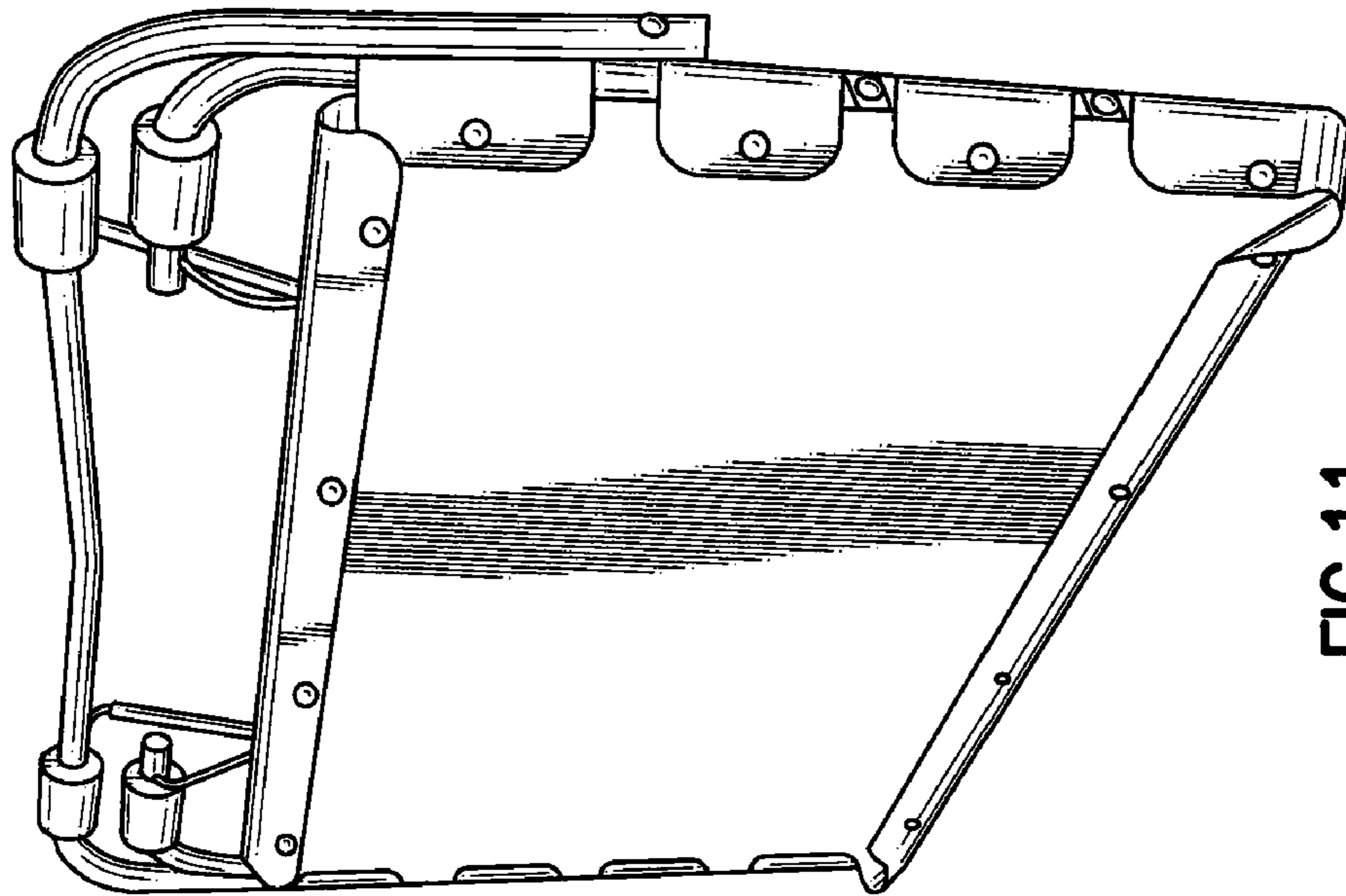


FIG. 11

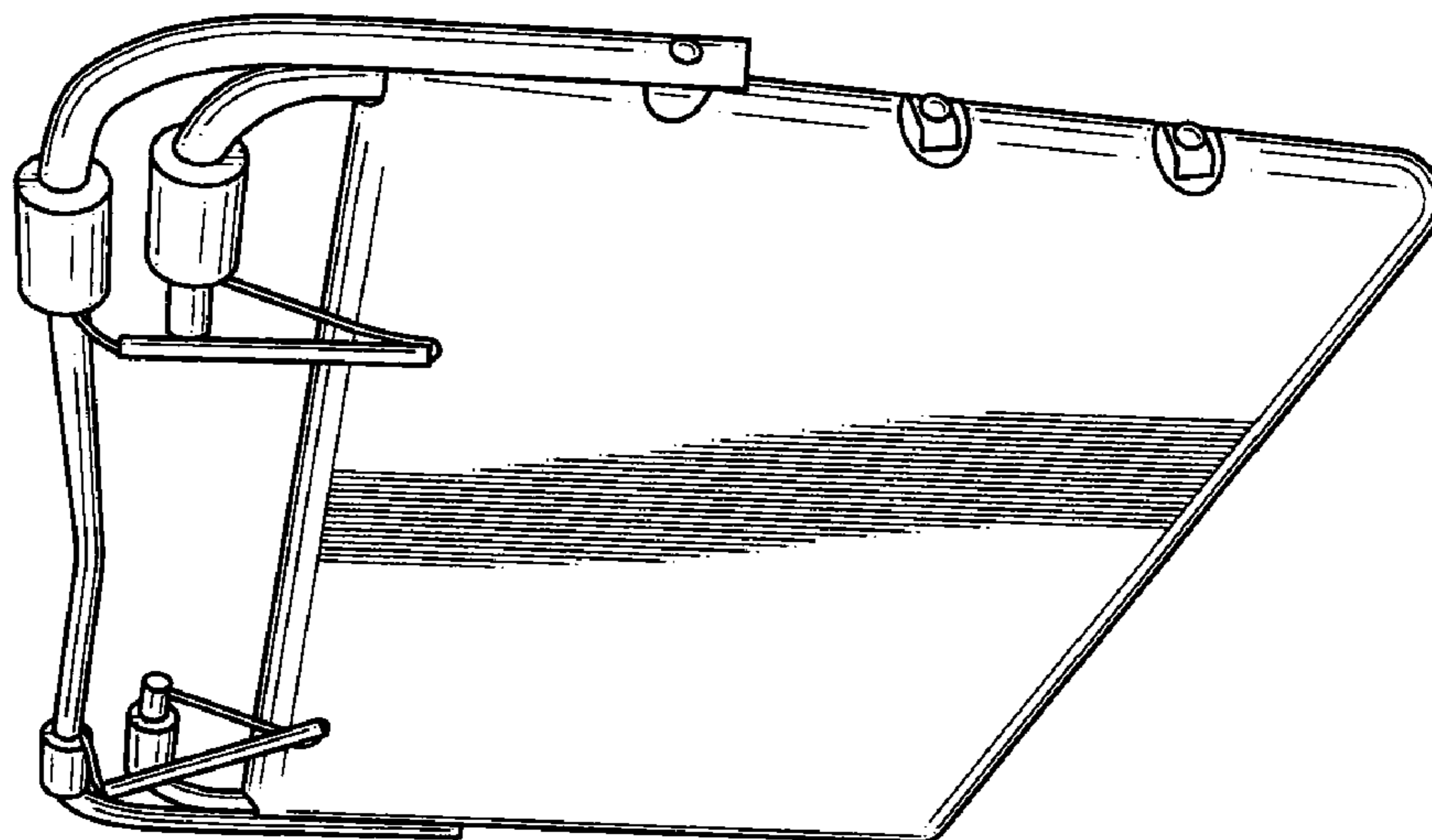


FIG. 10