



US00D601077S

(12) **United States Design Patent**
Kim

(10) **Patent No.:** **US D601,077 S**
(45) **Date of Patent:** **** Sep. 29, 2009**

(54) **ALL IN ONE ADAPTOR WIPER BLADE**

(76) Inventor: **In-Kyu Kim**, Sunkyung A.P.T. 15-1505,
Seongpo-dong, Sangrok-gu, Ansan-si,
Gyeonggi-do (KR)

(**) Term: **14 Years**

(21) Appl. No.: **29/324,290**

(22) Filed: **Sep. 10, 2008**

(30) **Foreign Application Priority Data**

Apr. 3, 2008 (KR) 30-2008-0014215

(51) **LOC (9) Cl.** **12-16**

(52) **U.S. Cl.** **D12/219**

(58) **Field of Classification Search** D12/219-220;
15/250.001, 250.4, 250.361, 250.19, 250.48,
15/250.03, 250.31-250.33, 250.351, 250.38,
15/250.201, 250.451, 250.458, 250.04, 250.07,
15/250.44

See application file for complete search history.

(56) **References Cited**

U.S. PATENT DOCUMENTS

- D443,582 S * 6/2001 De Block D12/219
- D443,854 S * 6/2001 De Block D12/219
- 6,782,581 B2 * 8/2004 Block 15/250.32
- D524,223 S * 7/2006 Nakano et al. D12/219
- D552,025 S * 10/2007 Kim D12/219
- D556,117 S * 11/2007 Kim D12/219
- D565,494 S 4/2008 Kim
- D579,401 S * 10/2008 Garrastacho et al. D12/219
- 7,464,424 B1 * 12/2008 Formica et al. 5/655
- 2005/0039292 A1 * 2/2005 Boland 15/250.32
- 2008/0222833 A1 * 9/2008 Henin et al. 15/250.201
- 2009/0013492 A1 * 1/2009 Henin 15/250.452
- 2009/0049638 A1 * 2/2009 Jehannet et al. 15/250.32
- 2009/0064440 A1 * 3/2009 Boland 15/250.48

FOREIGN PATENT DOCUMENTS

CA 119152 1/2007

CA	119153	1/2007
CA	119156	1/2007
KR	2020060032419	10/2006
KR	2020070003864	3/2007
KR	3020070049552	11/2007
KR	3020070049553	11/2007
KR	3020080006130	2/2008
KR	3020080006131	2/2008
KR	3020080014215	4/2008
KR	3020080019126	4/2008
KR	3020080019129	4/2008
KR	3020080022520	5/2008

* cited by examiner

Primary Examiner—Caron Veynar

Assistant Examiner—Katrina A Kile

(74) *Attorney, Agent, or Firm*—Amster, Rothstein & Ebenstein LLP

(57) **CLAIM**

The ornamental design for an all in one adaptor wiper blade, as shown and described.

DESCRIPTION

FIG. 1 is a perspective view of an all in one adaptor wiper blade showing my new design;

FIG. 2 is a front view thereof;

FIG. 3 is a rear view thereof;

FIG. 4 is a left side view thereof;

FIG. 5 is a right side view thereof;

FIG. 6 is a top plan view thereof;

FIG. 7 is a bottom plan view thereof;

FIG. 8 is a perspective view thereof;

FIG. 9 is an enlarged fragmentary perspective view thereof of the portion labeled 9 and 10 in FIG. 2; and,

FIG. 10 is an enlarged fragmentary perspective view thereof of the portion labeled 9 and 10 in FIG. 2.

1 Claim, 8 Drawing Sheets

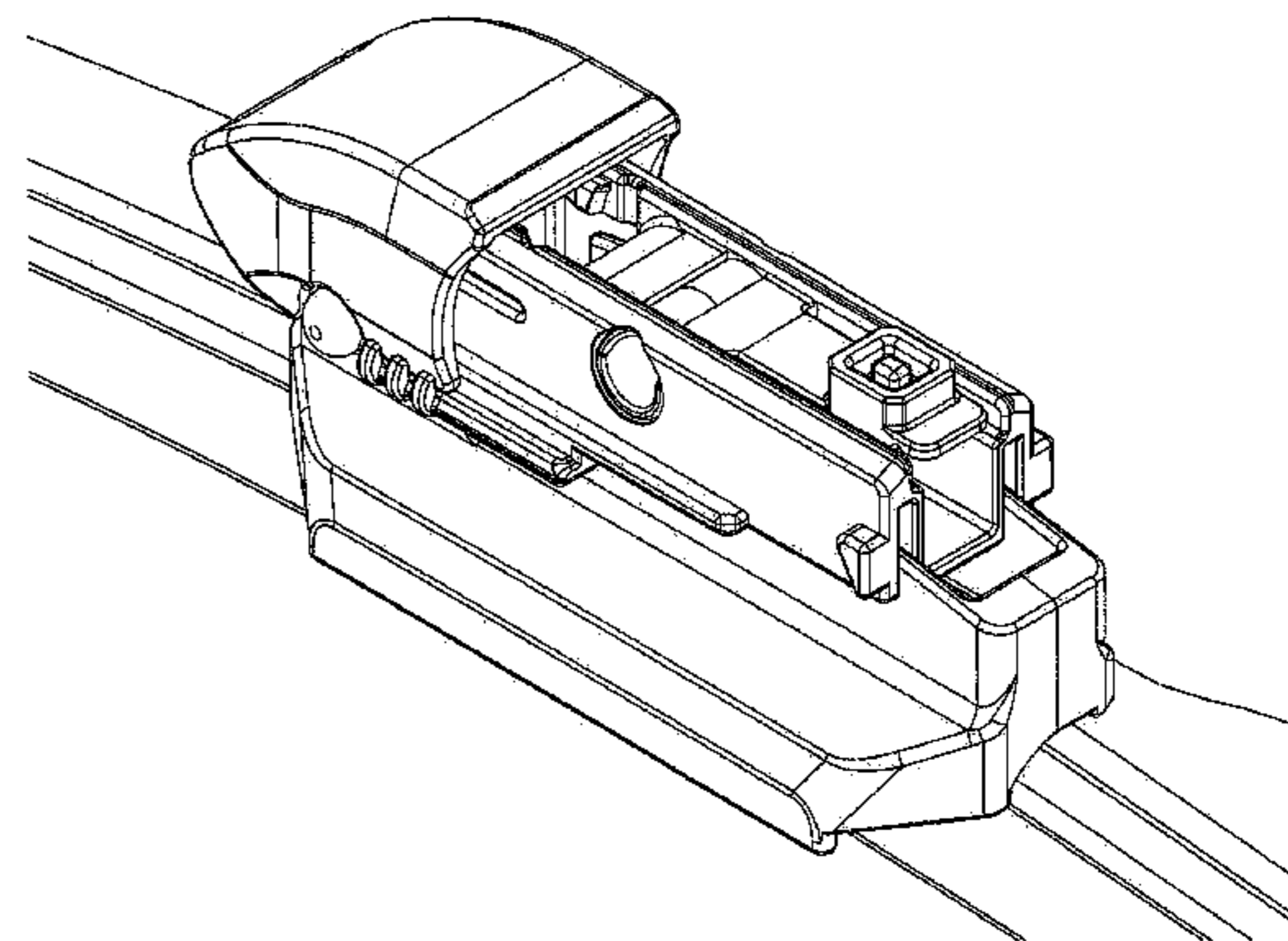
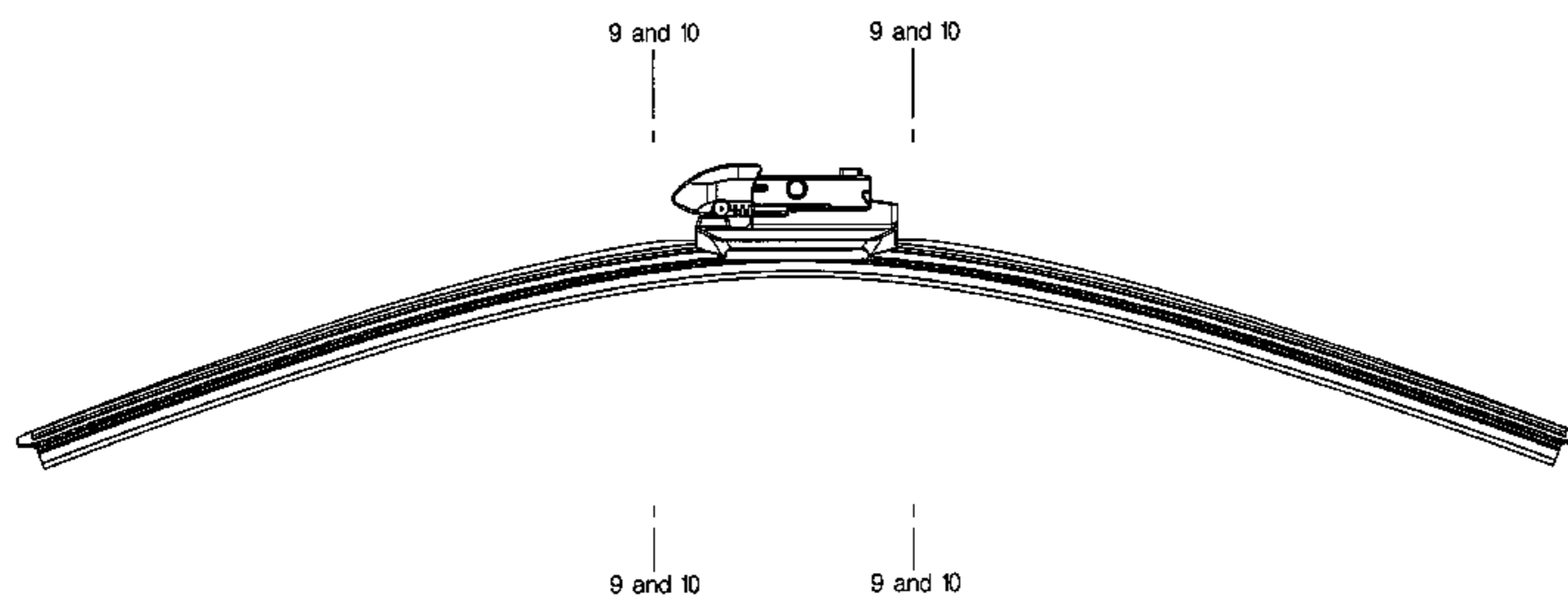


FIG. 1

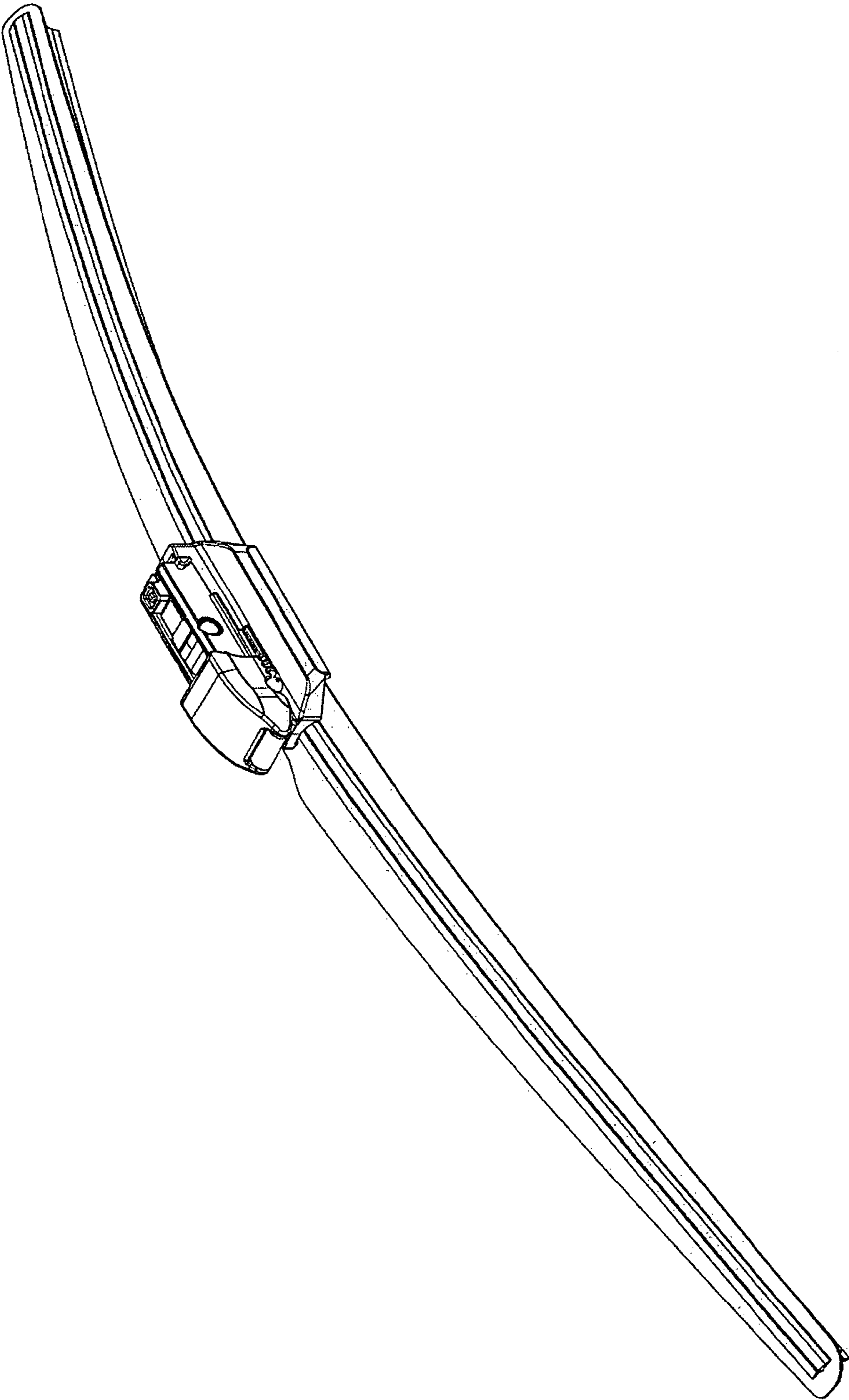


FIG. 2

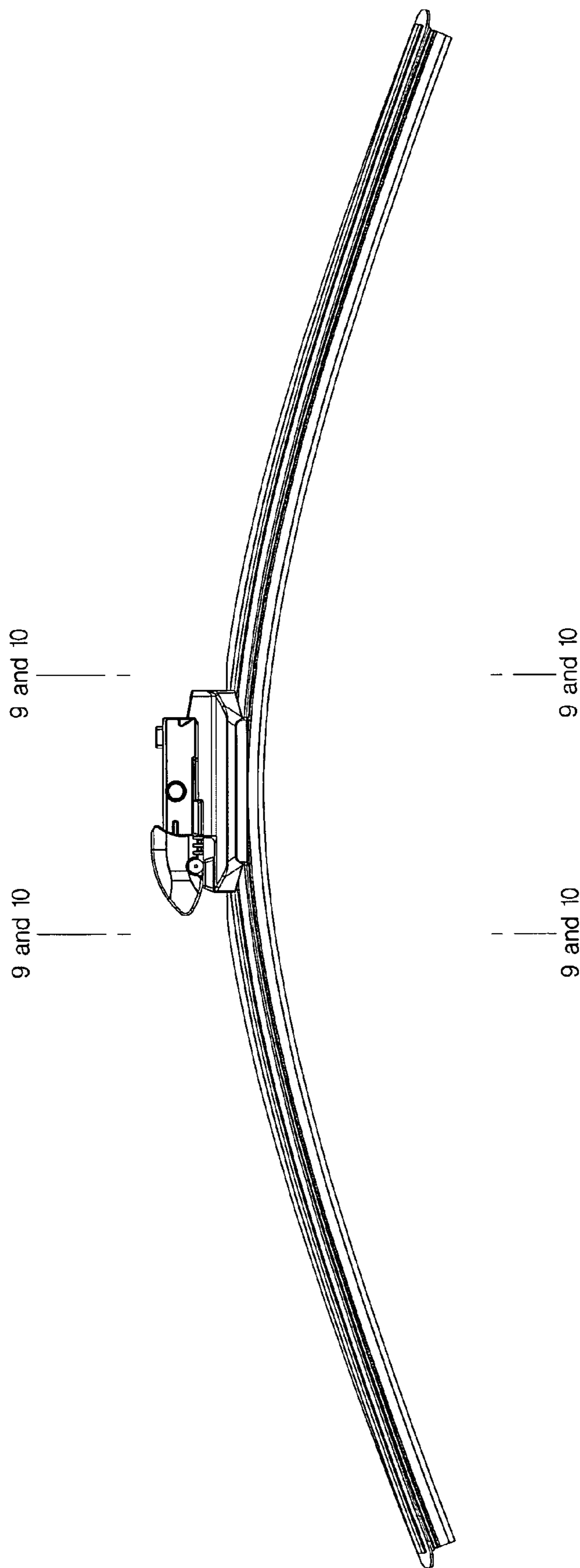


FIG. 3

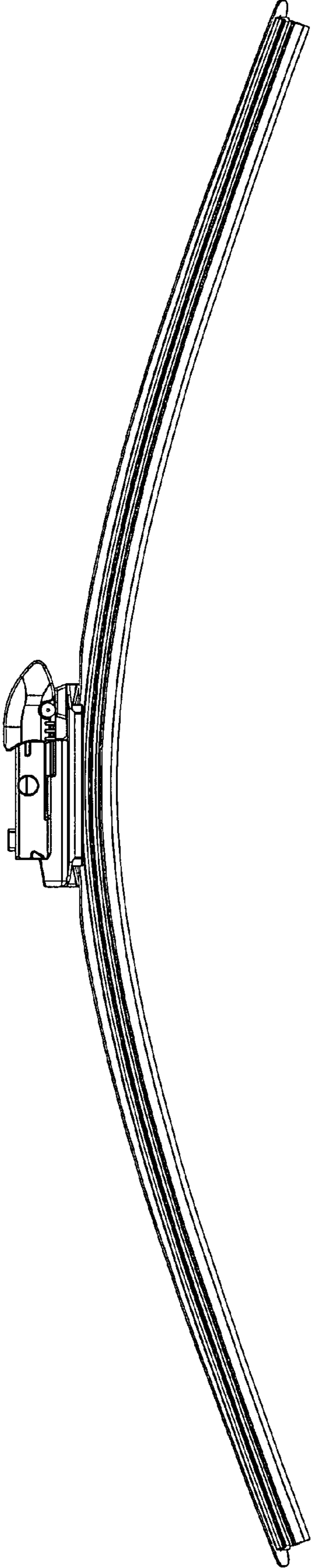


FIG. 5

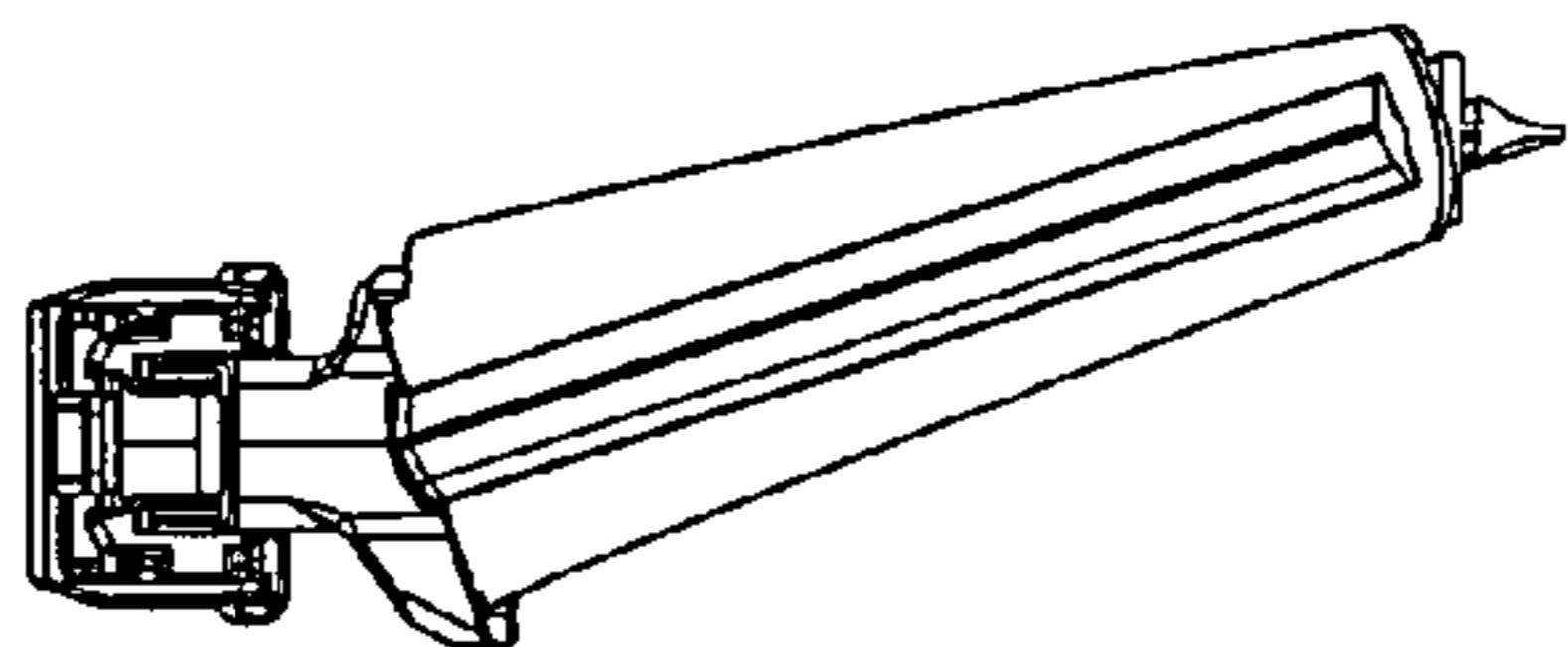


FIG. 4

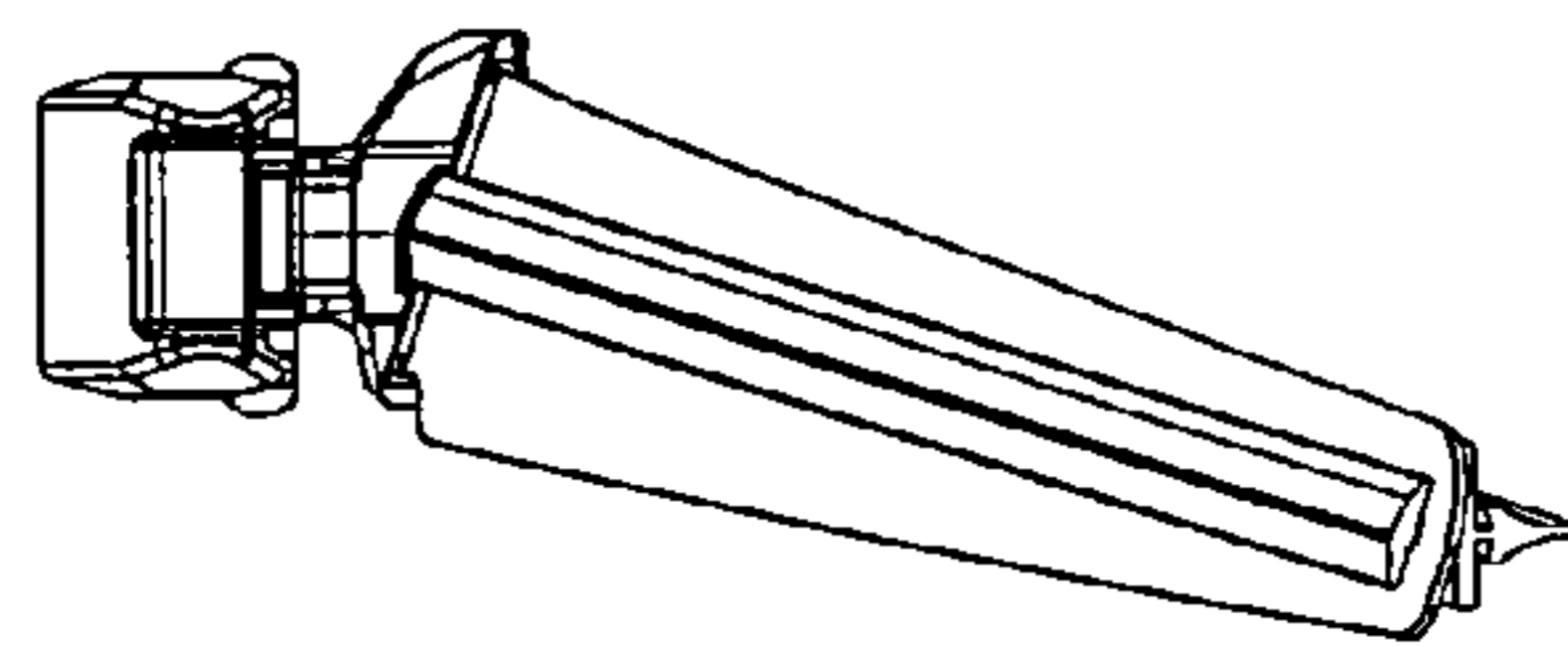


FIG. 6

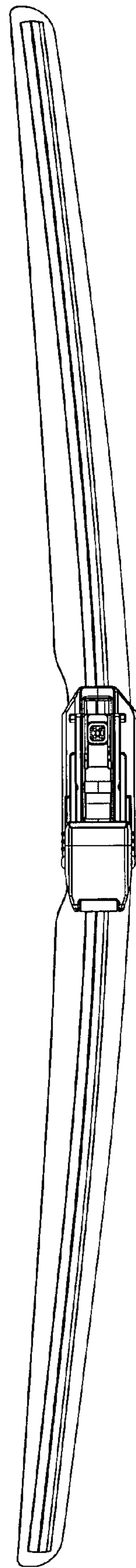


FIG. 7

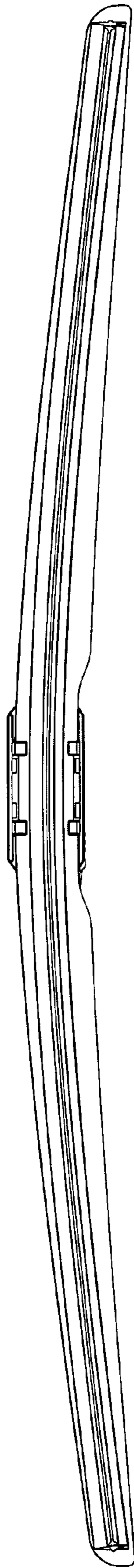


FIG. 8

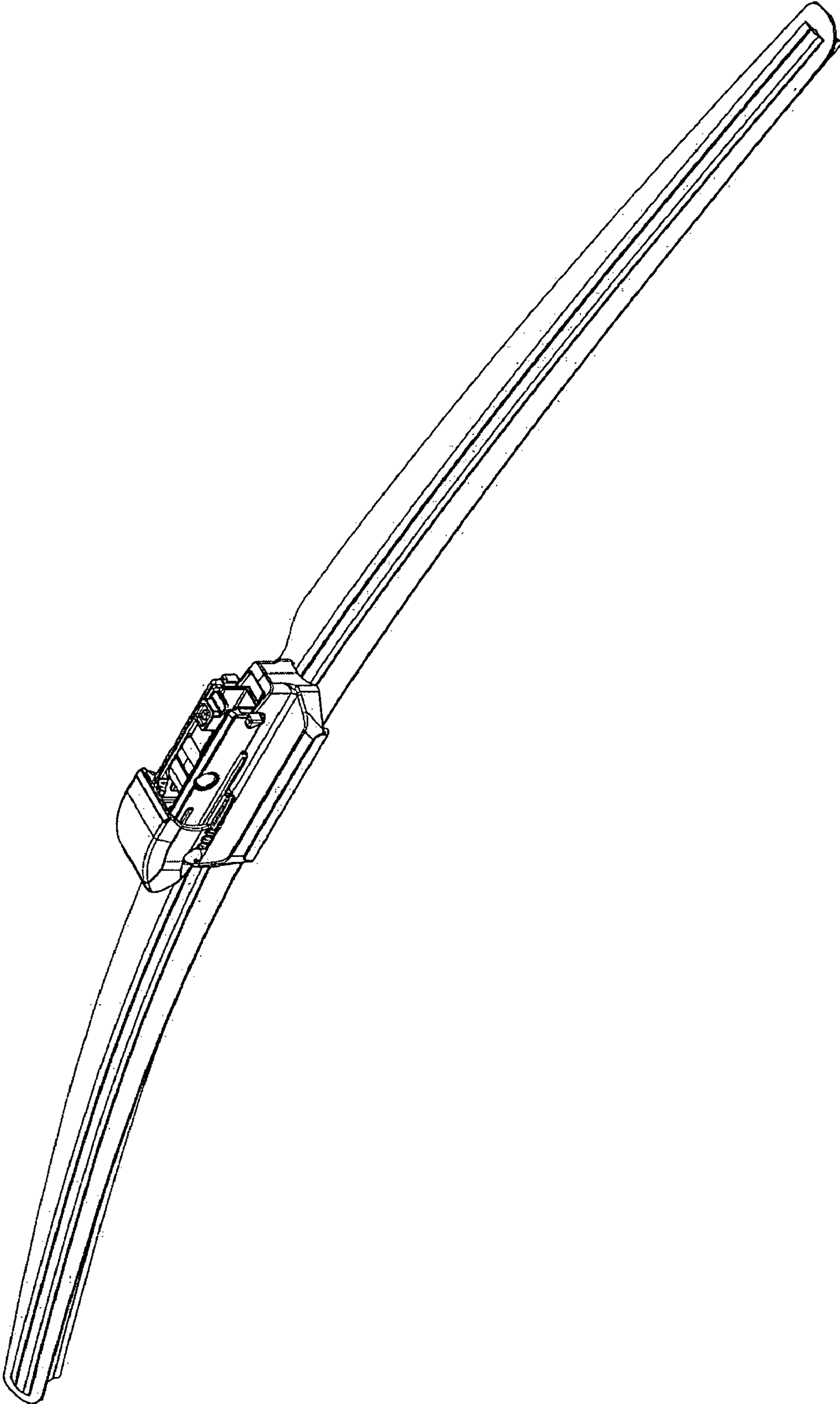


FIG. 9

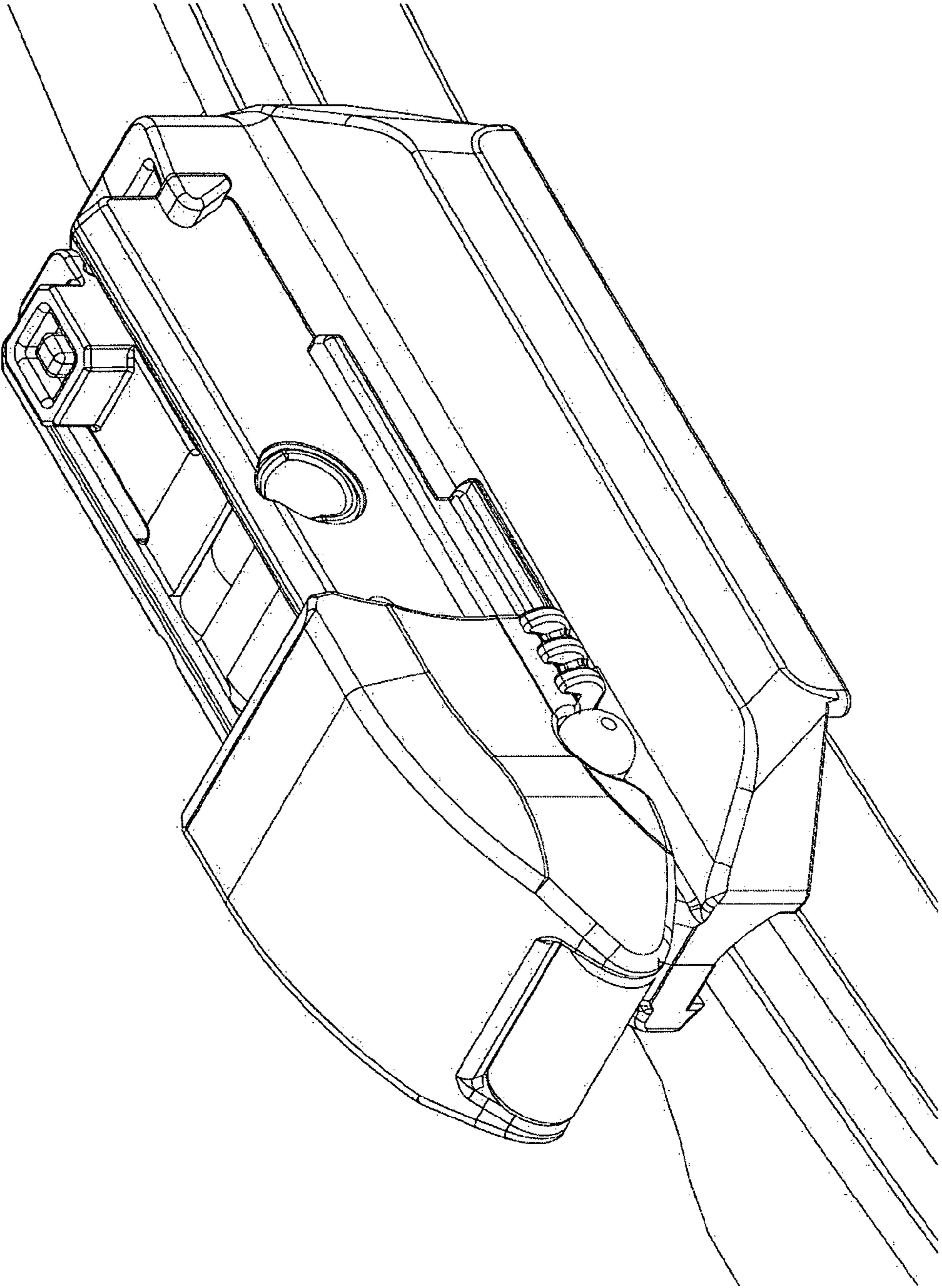


FIG. 10

