



US00D601076S

(12) **United States Design Patent**
Ziaylek

(10) **Patent No.:** **US D601,076 S**

(45) **Date of Patent:** **** Sep. 29, 2009**

(54) **POSITIVELY ENGAGING TANK MOUNT
INTEGRALLY FORMED WITHIN A SEAT
BACK**

(76) Inventor: **Michael P. Ziaylek**, 15 Cold Spring
Ave., Yardley, PA (US) 19067

(**) Term: **14 Years**

(21) Appl. No.: **29/312,716**

(22) Filed: **Nov. 7, 2008**

(51) **LOC (9) Cl.** **12-16**

(52) **U.S. Cl.** **D12/214**

(58) **Field of Classification Search** D12/415,
D12/416, 417, 422; D3/216-228; D6/216-228,
D6/611, 553, 556, 359, 336, 356; 224/572,
224/275, 563, 539, 543; 297/188.01-188.07;
248/311.2, 313; D8/373; D29/130

See application file for complete search history.

(56) **References Cited**

U.S. PATENT DOCUMENTS

743,678 A *	11/1903	Bear	248/452
2,431,698 A	12/1947	Lombard		
2,615,238 A	10/1952	Highwood		
3,194,529 A	7/1965	Brock		
3,547,391 A	12/1970	Johnson		
3,565,384 A	2/1971	Lockwood		
3,603,550 A	9/1971	Byrd		
D222,527 S	11/1971	Ziaylek, Jr.		
3,667,714 A	6/1972	Ziaylek, Jr.		
3,780,972 A	12/1973	Brodersen		
3,823,907 A	7/1974	Ziaylek, Jr.		
D237,357 S	10/1975	Ziaylek, Jr.		
3,971,591 A	7/1976	Ziaylek		
D245,929 S	9/1977	Montambo		
D249,672 S *	9/1978	VanderWaal	D12/424
4,213,592 A	7/1980	Lingenfelter		
D264,935 S	6/1982	Ziaylek, Jr.		
D265,287 S	7/1982	Ziaylek, Jr.		
D267,227 S	12/1982	Ziaylek, Jr.		
4,379,541 A	4/1983	Harkness		
D269,188 S *	5/1983	Tisdale	D19/34

4,505,448 A	3/1985	Massie		
4,586,687 A	5/1986	Ziaylek, Jr.		
D298,704 S	11/1988	Ziaylek, Jr.		
4,848,714 A	7/1989	Ziaylek, Jr. et al.		
D303,738 S	10/1989	Ziaylek, Jr.		
D314,325 S	2/1991	Ziaylek, Jr. et al.		
D319,778 S	9/1991	Ziaylek, Jr.		
5,213,392 A	5/1993	Bostrom et al.		
5,314,233 A	5/1994	Bostrom et al.		
D347,735 S	6/1994	Ziaylek, Jr. et al.		
D373,600 S *	9/1996	Oimas	D19/91
5,681,080 A	10/1997	Pond et al.		
D390,367 S	2/1998	Demski et al.		

(Continued)

Primary Examiner—Cathron C Brooks
Assistant Examiner—Austin Murphy
(74) *Attorney, Agent, or Firm*—Sperry, Zoda & Kane

(57) **CLAIM**

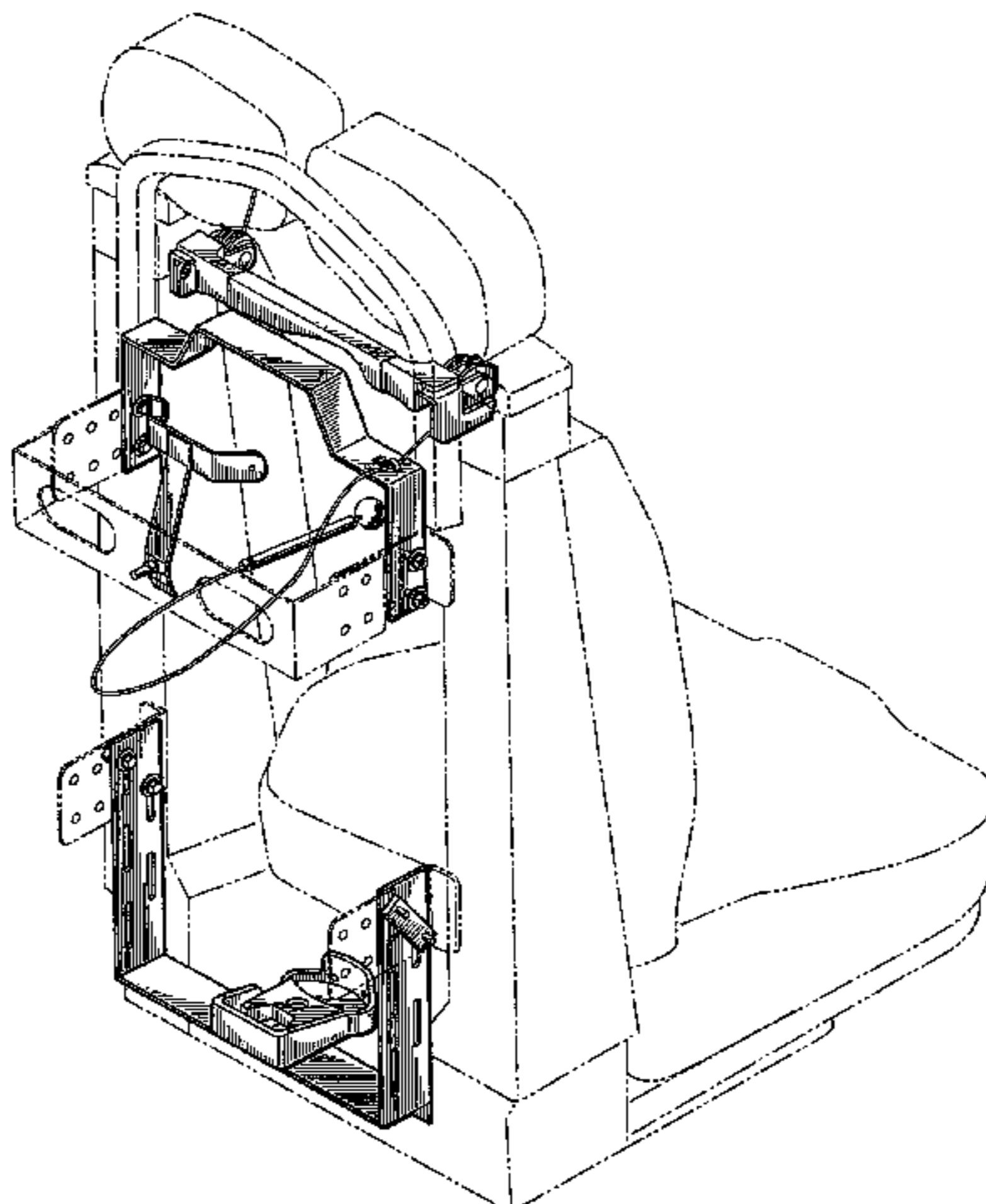
The ornamental design for a positively engaging tank mount integrally formed within a seat back, as shown and described. The dotted lines show environmental structure only.

DESCRIPTION

FIG. 1 is a rear three-quarter perspective embodying my new design;
FIG. 2 is a front plan view;
FIG. 3 is a side plan view taken from the left of FIG. 2;
FIG. 4 is a rear plan view;
FIG. 5 is a side plan view taken from the right of FIG. 2;
FIG. 6 is a top plan view; and,
FIG. 7 is a bottom plan view.

The broken lines shown in the drawings represent unclaimed portions of the positively engaging tank mount integrally formed within a seat back and form no part of the claimed design.

1 Claim, 6 Drawing Sheets



US D601,076 S

Page 2

U.S. PATENT DOCUMENTS

D394,381 S	5/1998	Ziaylek, Jr. et al.	6,601,923 B2	8/2003	Pond et al.
5,803,544 A	9/1998	Block et al.	D480,294 S	10/2003	Ziaylek, Jr. et al.
5,934,749 A	8/1999	Pond et al.	6,655,745 B2	12/2003	Fohrenkamm et al.
5,975,475 A	11/1999	Chaplin	6,702,242 B1	3/2004	Ziaylek, Jr. et al.
D419,317 S	1/2000	Pond et al.	D494,049 S	8/2004	Ziaylek et al.
D424,414 S	5/2000	Ziaylek et al.	D494,453 S	8/2004	Ziaylek et al.
6,086,312 A	7/2000	Ziaylek et al.	D494,534 S *	8/2004	Hassett D12/416
D434,495 S	11/2000	Whalen et al.	6,769,659 B1	8/2004	Martello
6,220,557 B1	4/2001	Ziaylek et al.	6,830,226 B2	12/2004	Field et al.
D467,792 S *	12/2002	Zadak et al. D8/373	6,883,766 B1	4/2005	Ziaylek et al.
D473,840 S *	4/2003	Sauer D12/416	6,926,243 B1	8/2005	Ziaylek et al.
6,543,736 B2	4/2003	Field	D530,983 S *	10/2006	Krieger et al. D7/605
6,565,383 B1 *	5/2003	Wu 439/567	D539,037 S *	3/2007	Bergh et al. D3/313
			2003/0038525 A1	2/2003	Pond et al.

* cited by examiner

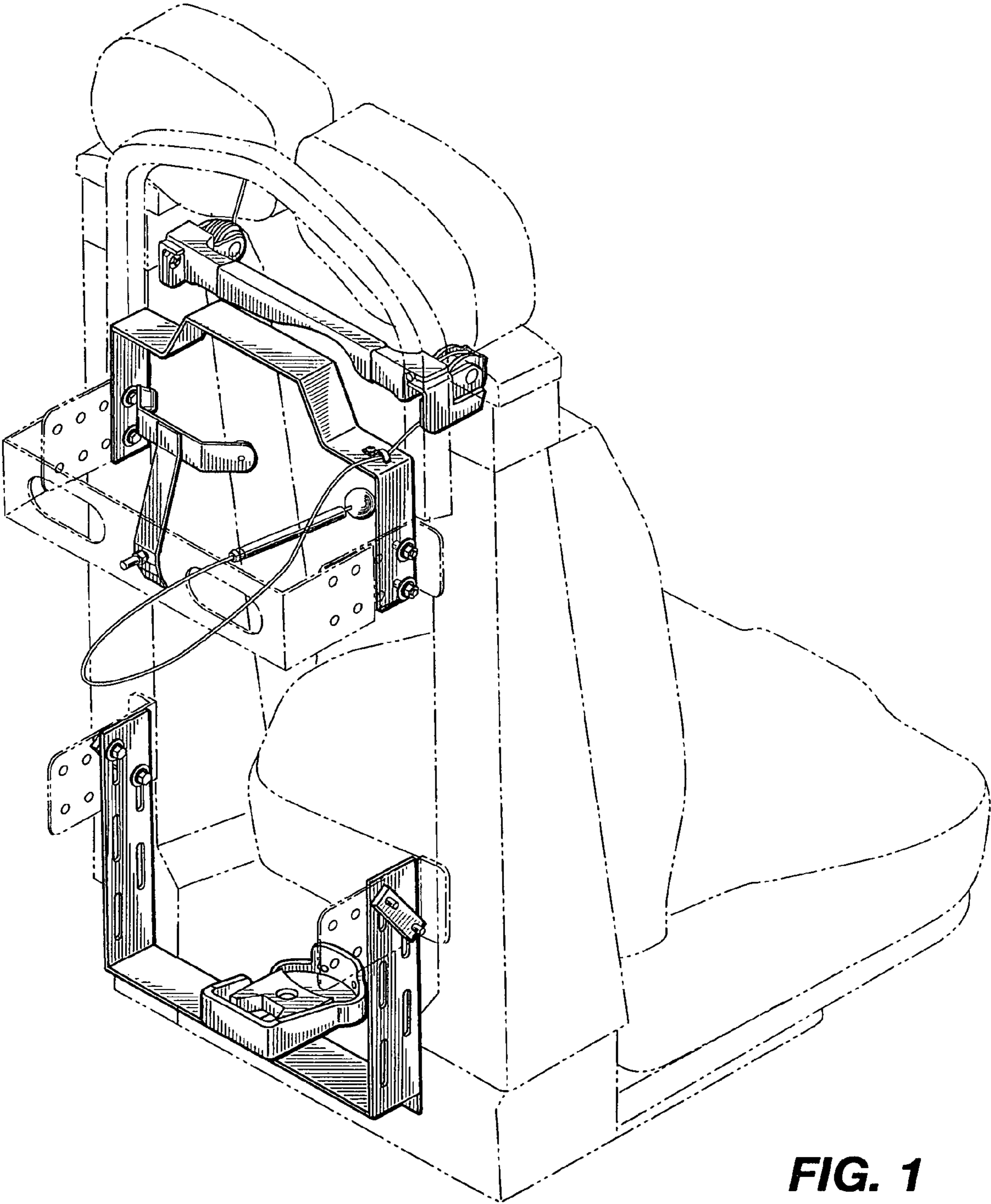


FIG. 1

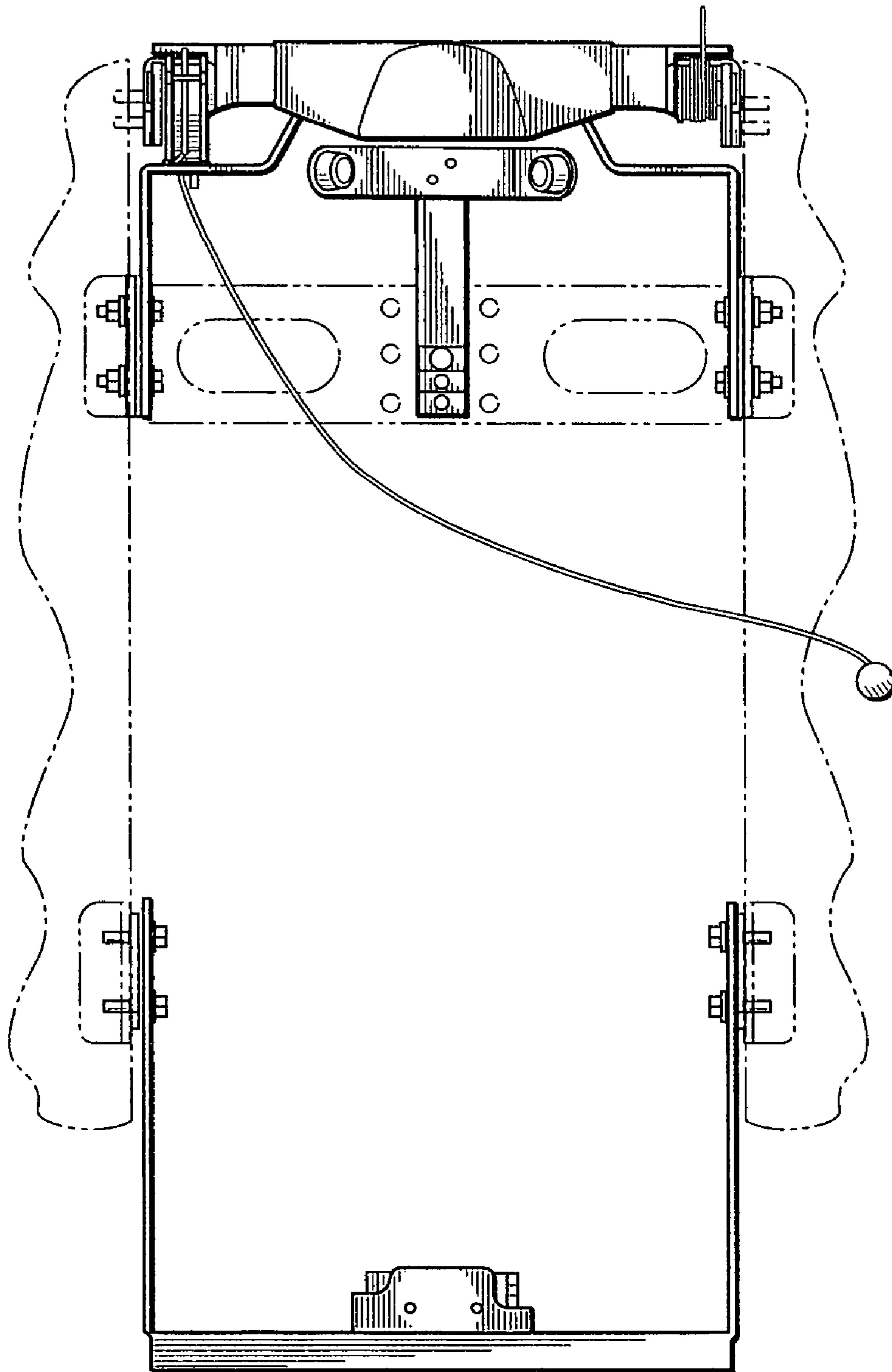


FIG. 2

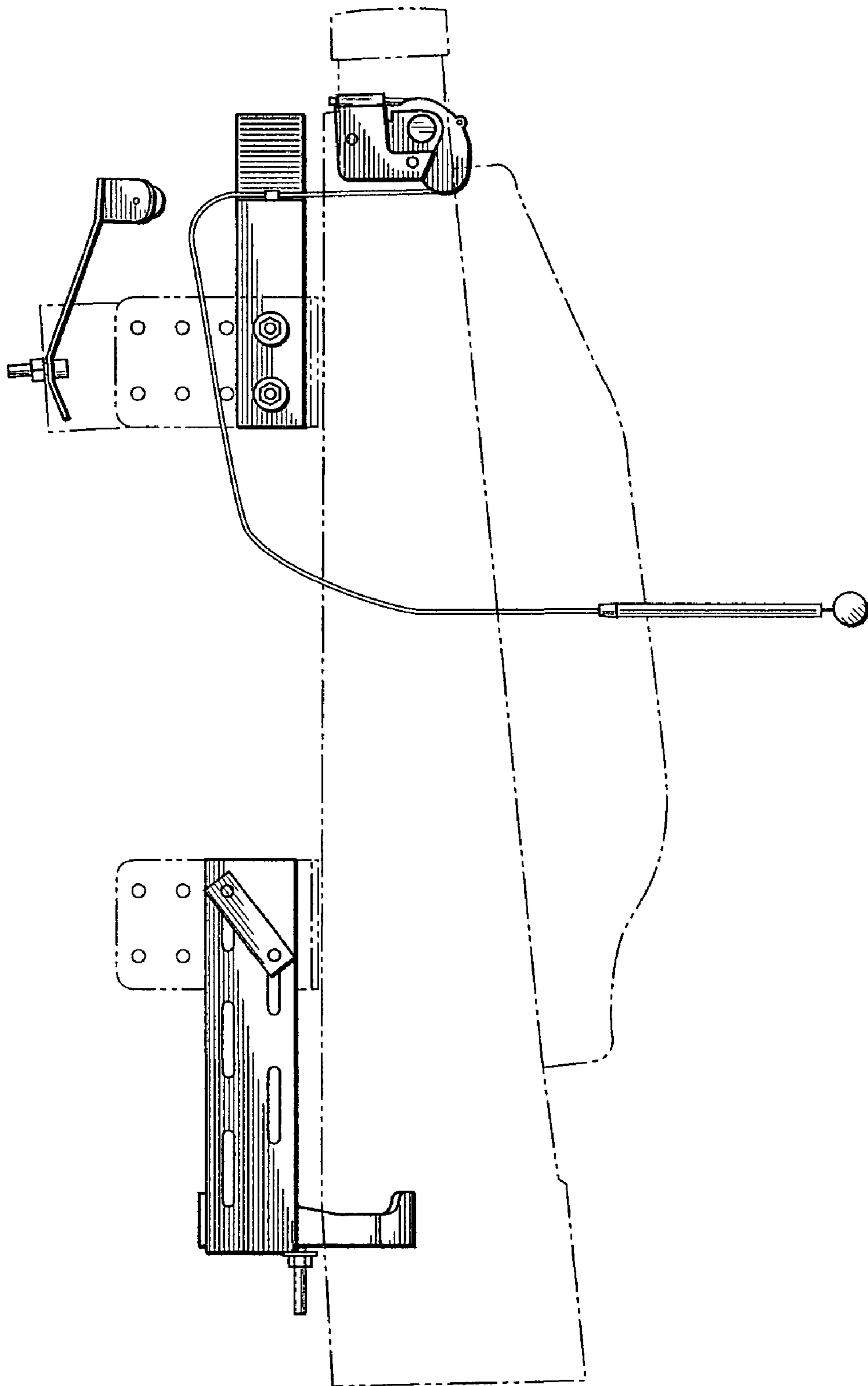


FIG. 3

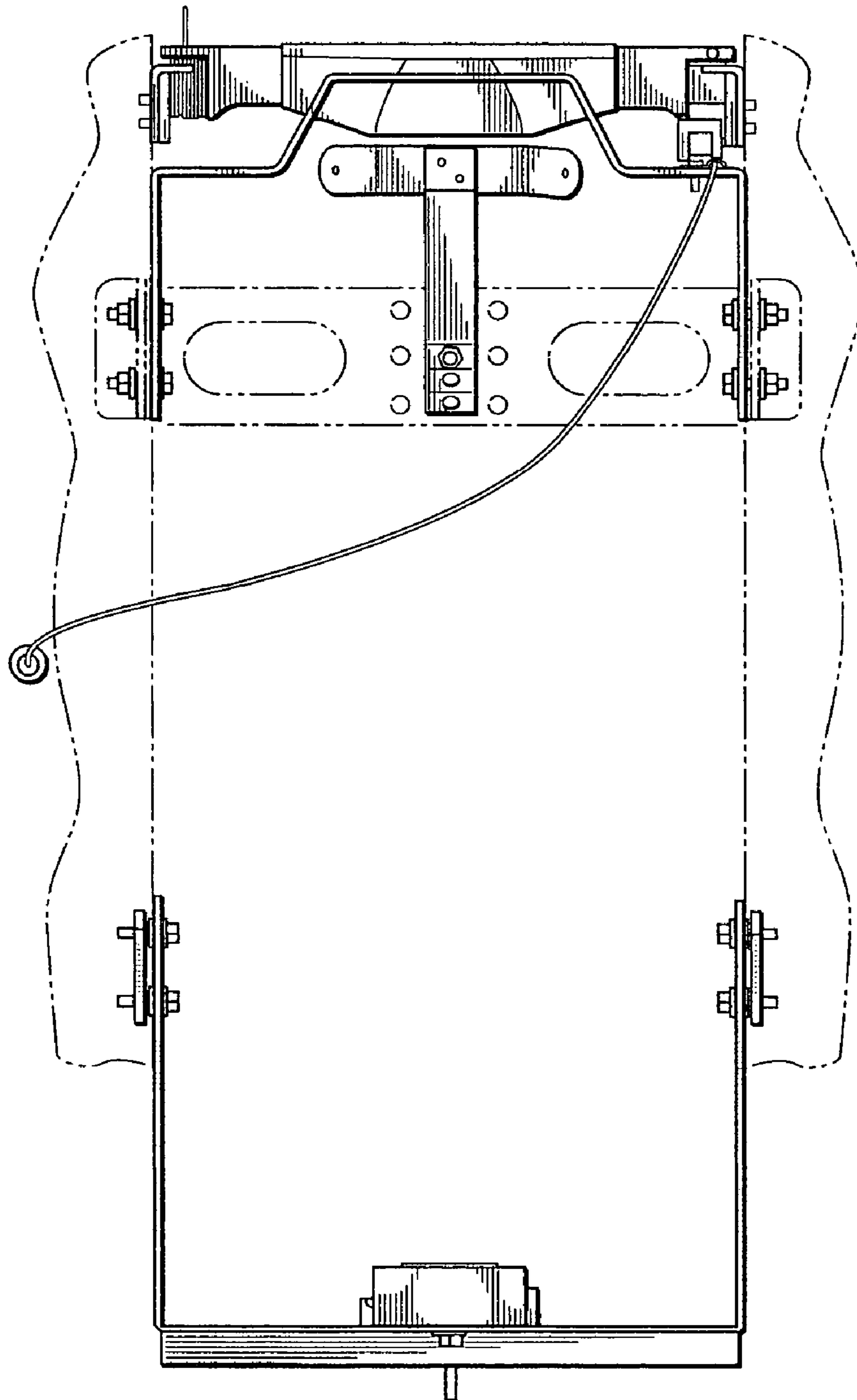


FIG. 4

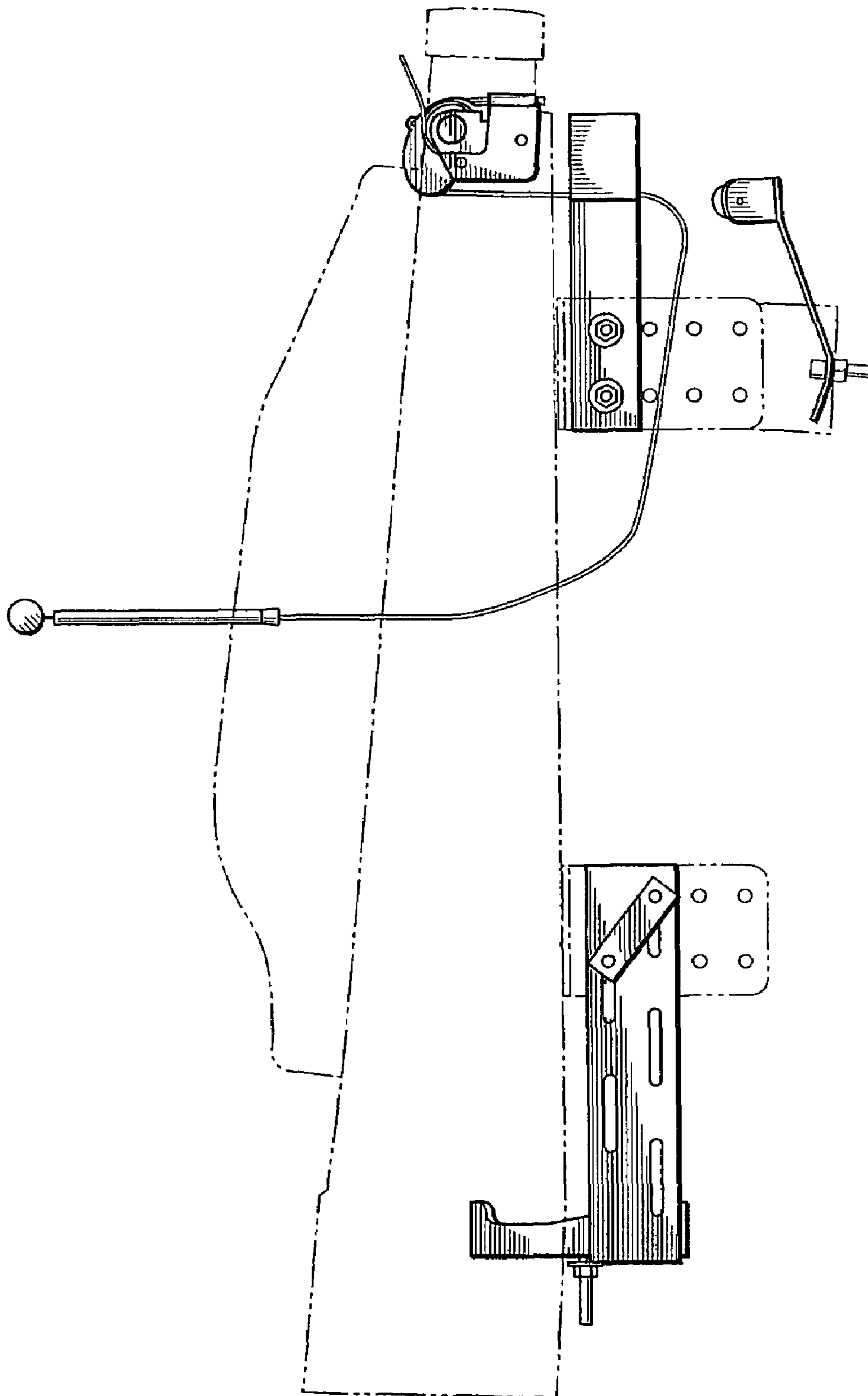


FIG. 5

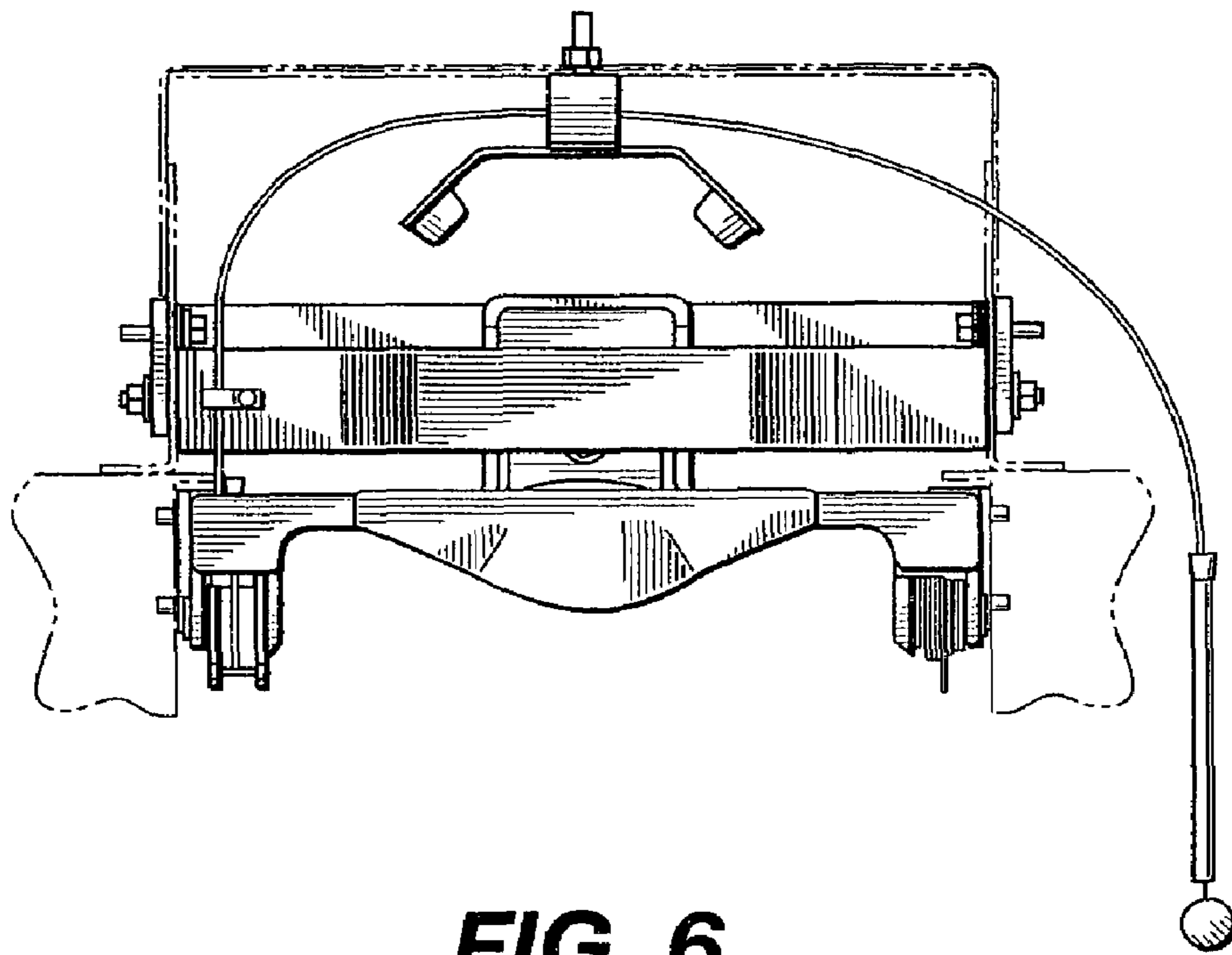


FIG. 6

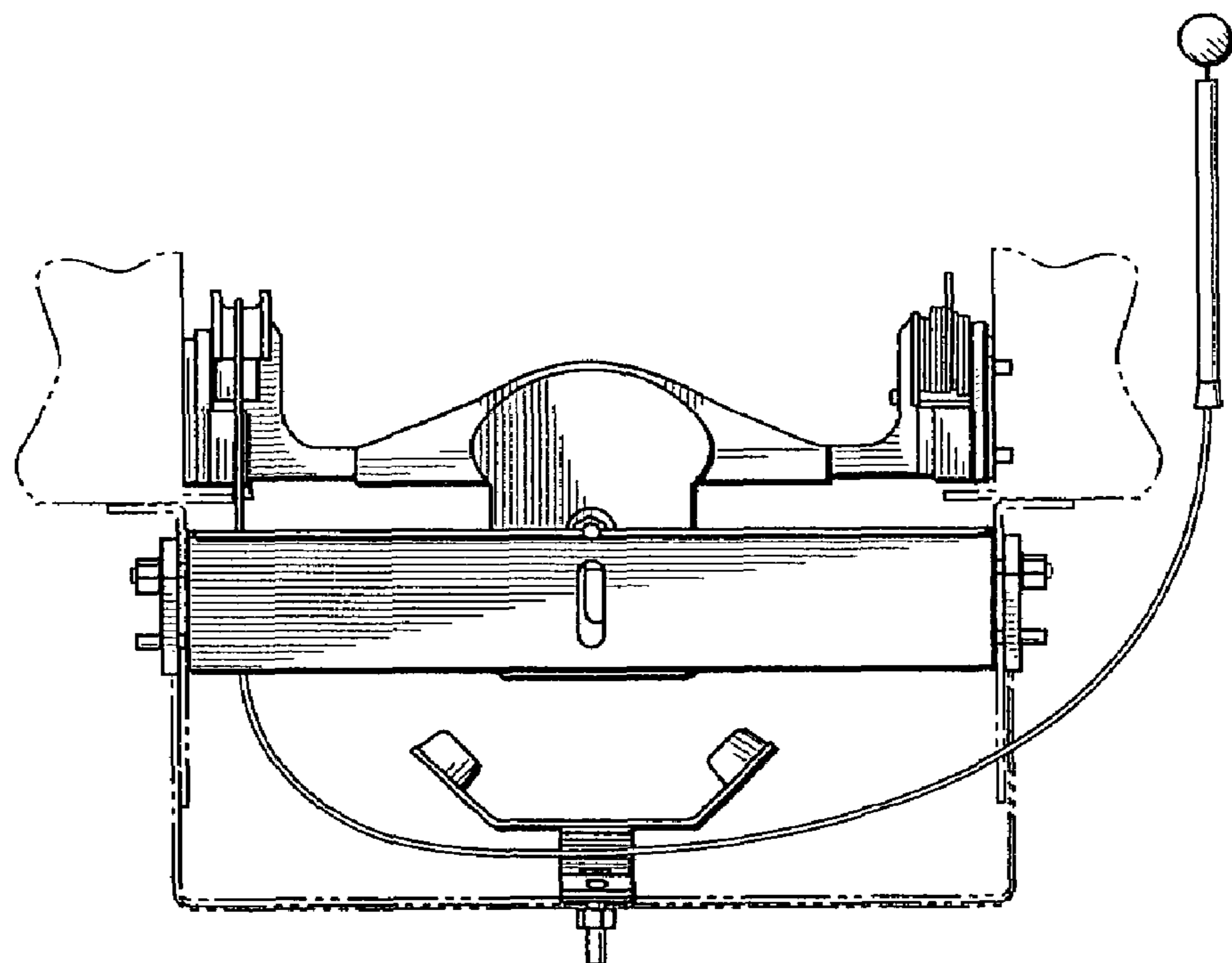


FIG. 7