

US00D601075S

(12) **United States Design Patent**
Szavits

(10) **Patent No.:** **US D601,075 S**
(45) **Date of Patent:** **** Sep. 29, 2009**

(54) **WHEEL OR WHEEL COVER**

(75) Inventor: **Michael Szavits**, Munich (DE)

(73) Assignee: **Bayerische Motoren Werke Aktiengesellschaft**, Munich (DE)

(**) Term: **14 Years**

(21) Appl. No.: **29/333,145**

(22) Filed: **Mar. 4, 2009**

(30) **Foreign Application Priority Data**

Sep. 4, 2008 (DE) 402008004270

(51) **LOC (9) Cl.** **12-16**

(52) **U.S. Cl.** **D12/211**

(58) **Field of Classification Search** D12/204-213;
301/37.101, 64.101, 65, 64.201
See application file for complete search history.

(56) **References Cited**

U.S. PATENT DOCUMENTS

- D475,670 S * 6/2003 Chung D12/209
- D483,714 S * 12/2003 Warming D12/211
- D489,308 S * 5/2004 Tirado D12/209
- D497,863 S * 11/2004 Cahyono D12/209

- D528,062 S * 9/2006 Hosoi D12/211
- D535,605 S * 1/2007 Guevara D12/211
- D549,149 S * 8/2007 Thomas et al. D12/209
- D558,115 S * 12/2007 Groom D12/209
- D567,736 S * 4/2008 Kim D12/209
- D573,083 S * 7/2008 Hetrick D12/211
- D580,840 S * 11/2008 Elmitt D12/209
- D590,315 S * 4/2009 Chung D12/209

* cited by examiner

Primary Examiner—Stacia Cadmus

(74) *Attorney, Agent, or Firm*—Crowell & Moring LLP

(57) **CLAIM**

The ornamental design for a wheel or wheel cover, as shown and described.

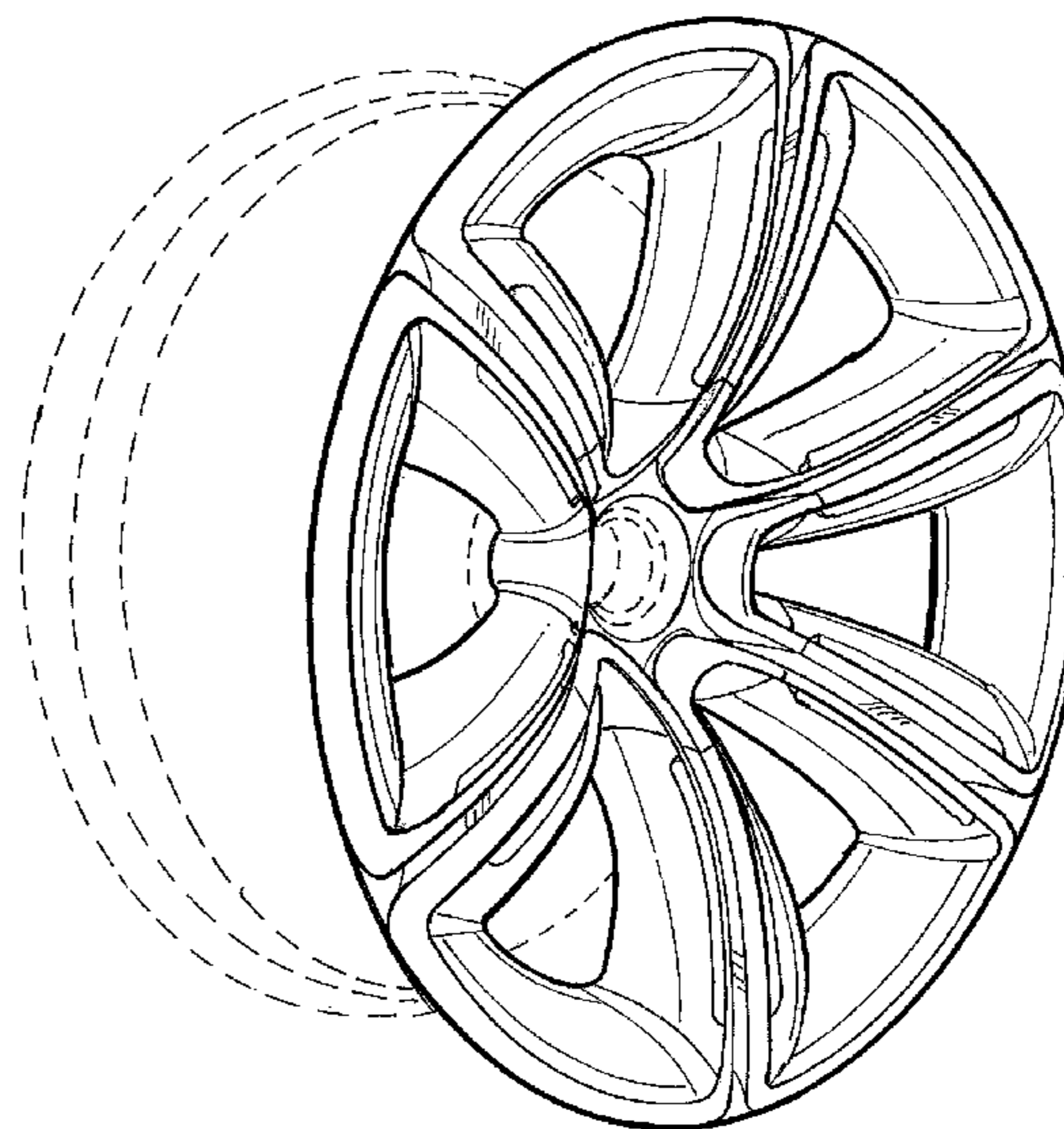
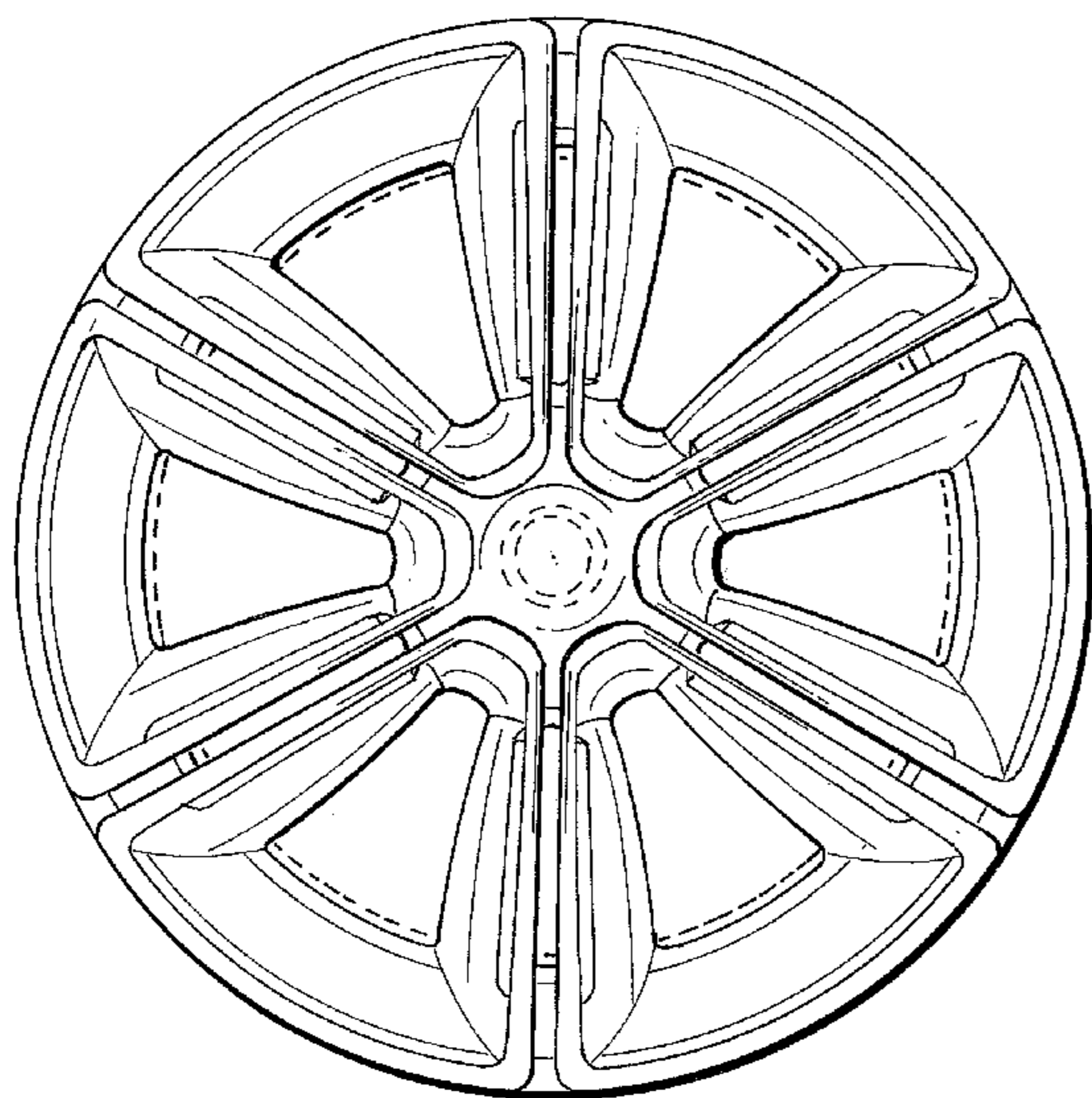
DESCRIPTION

FIG. 1 is a front view of a wheel or wheel cover according to my novel design; and,

FIG. 2 is a perspective view thereof.

The broken line showing of the rear of the rim and the center cap in the central hub area is included for the purpose of illustrating environment and forms no part of the claimed design.

1 Claim, 1 Drawing Sheet



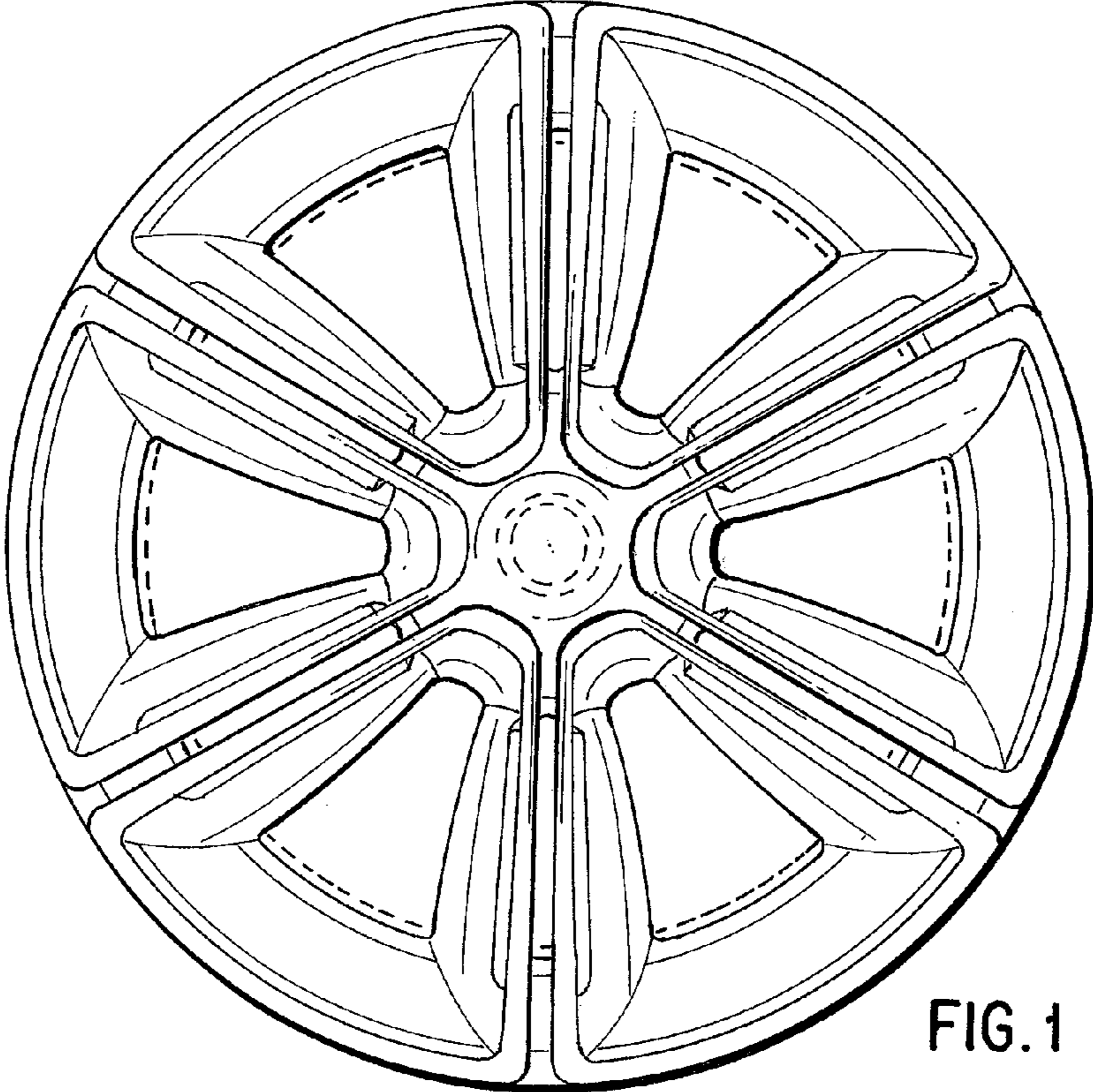


FIG. 1

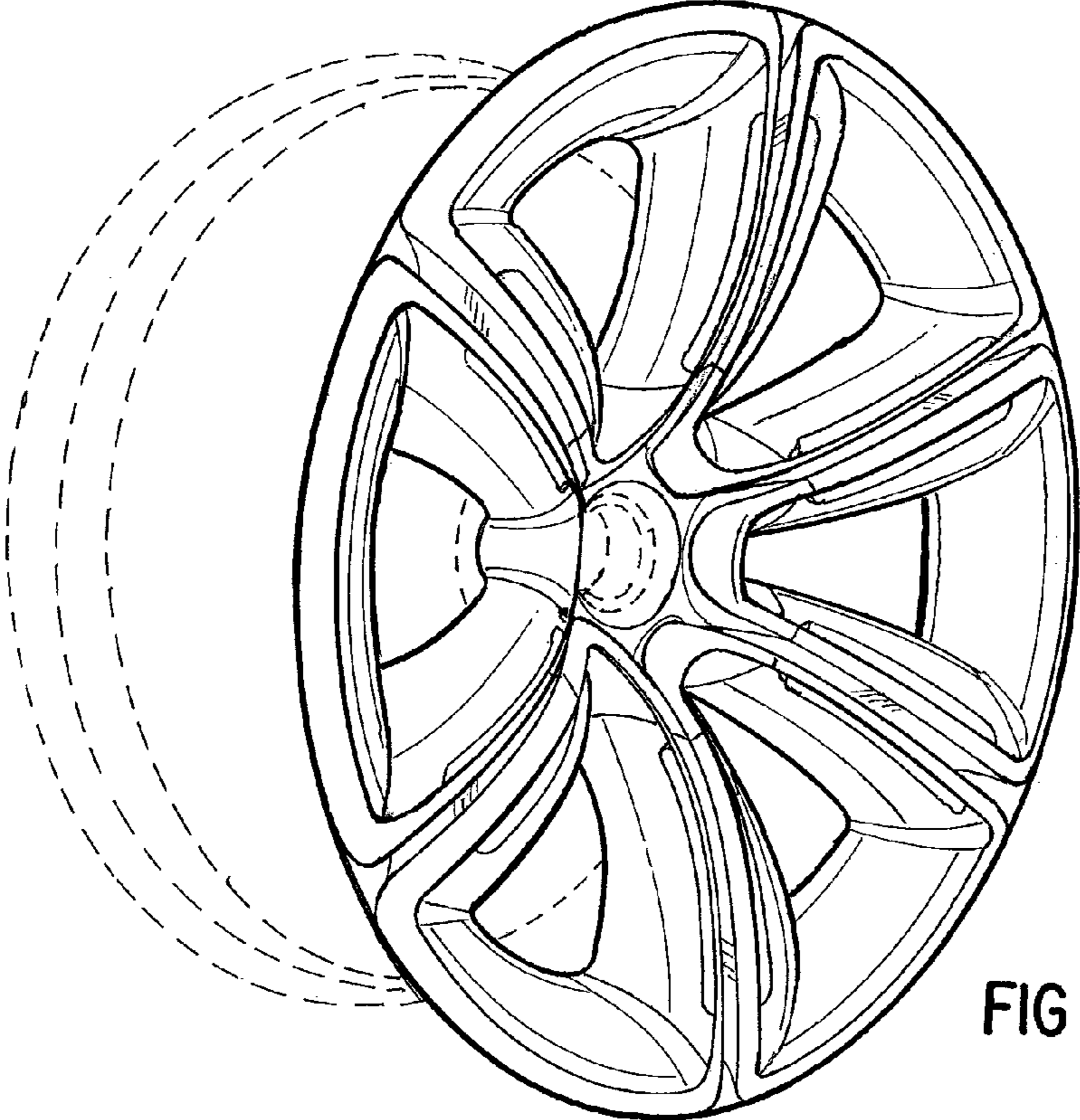


FIG. 2