



US00D601074S

(12) **United States Design Patent**
Buschmann

(10) **Patent No.:** **US D601,074 S**
(45) **Date of Patent:** **** Sep. 29, 2009**

(54) **WHEEL RIM**

(75) Inventor: **Bodo Buschmann**, Bottrop (DE)

(73) Assignee: **Brabus GmbH** (DE)

(**) Term: **14 Years**

(21) Appl. No.: **29/314,774**

(22) Filed: **Apr. 28, 2009**

(30) **Foreign Application Priority Data**

Feb. 20, 2009 (EP) 1091979-0001

(51) **LOC (9) Cl.** **12-16**

(52) **U.S. Cl.** **D12/209**

(58) **Field of Classification Search** D12/204-213;
301/37.101, 64.101, 65, 64.201

See application file for complete search history.

(56) **References Cited**

U.S. PATENT DOCUMENTS

- D463,348 S * 9/2002 Kataoka D12/209
- D476,938 S * 7/2003 Hatori D12/209
- D477,264 S * 7/2003 Marji D12/209
- D481,342 S * 10/2003 Kang D12/209
- D504,648 S * 5/2005 Pfeiffer D12/209

- D531,104 S * 10/2006 Kim D12/209
- D535,238 S * 1/2007 Kim D12/209
- D538,216 S * 3/2007 Sycha D12/209
- D543,493 S * 5/2007 Kim D12/209
- D584,672 S * 1/2009 Osborne D12/209
- D587,180 S * 2/2009 Pfeiffer D12/209
- D593,018 S * 5/2009 Juergens et al. D12/209
- D593,919 S * 6/2009 Pfeiffer D12/209

* cited by examiner

Primary Examiner—Stacia Cadmus

(74) *Attorney, Agent, or Firm*—Harness, Dickey & Pierce, P.L.C.

(57) **CLAIM**

The ornamental design for a wheel rim, as shown and described.

DESCRIPTION

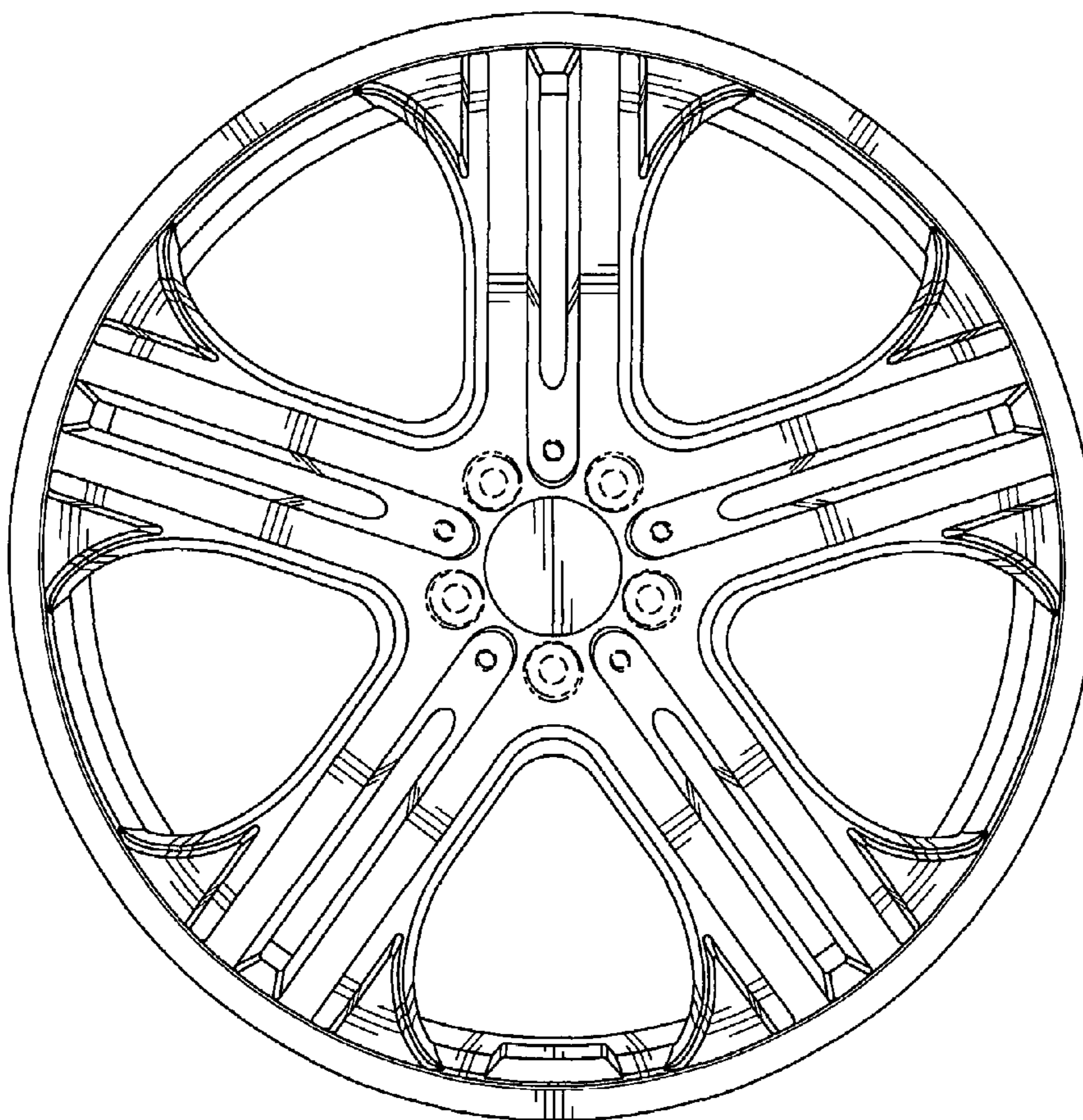
FIG. 1 is a perspective view of a wheel rim embodying my new design;

FIG. 2 is a front view thereof; and,

FIG. 3 is a top view thereof.

The broken lines are for illustrative purposes only and form no part of the claimed design.

1 Claim, 2 Drawing Sheets



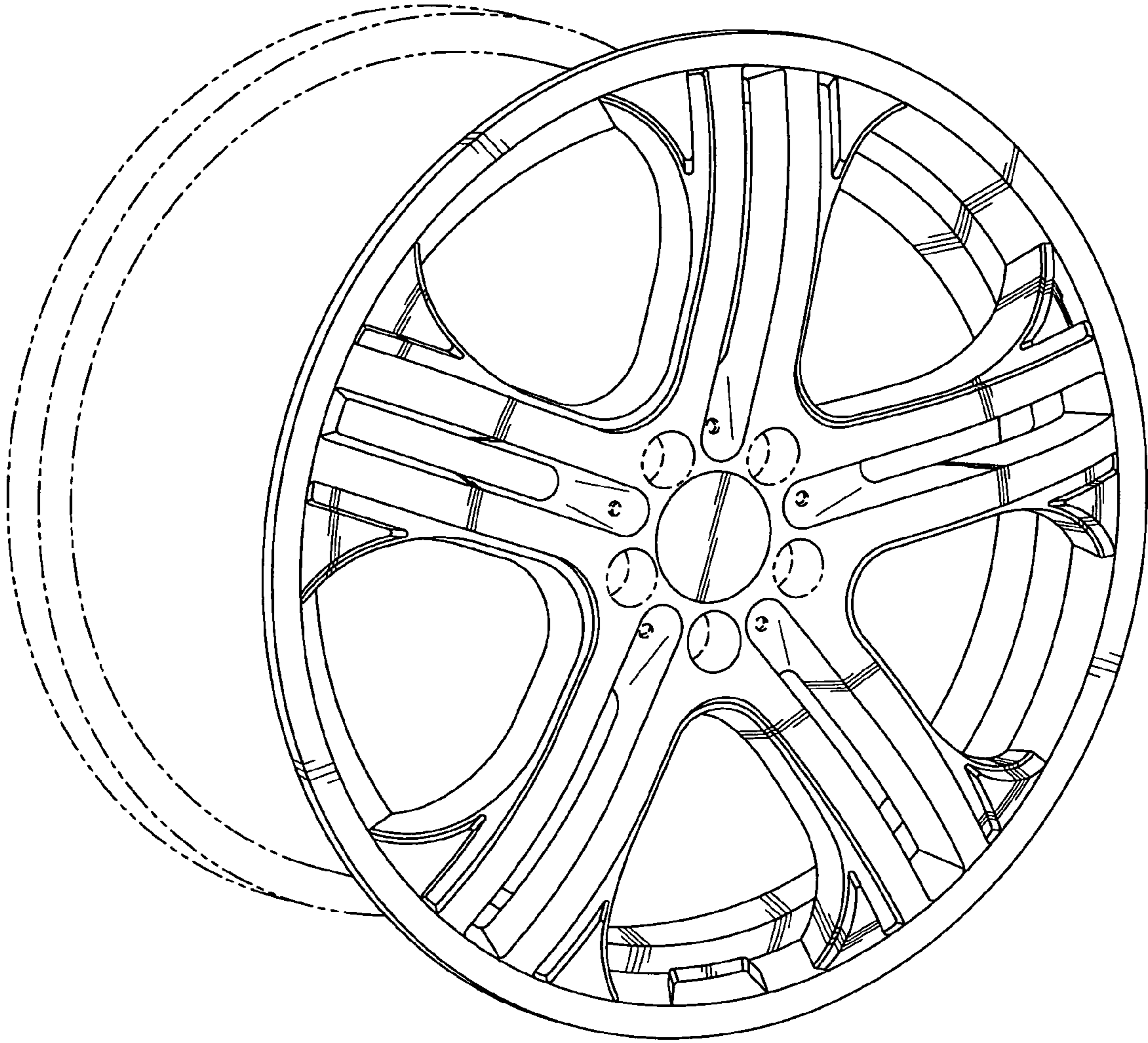


Fig-1

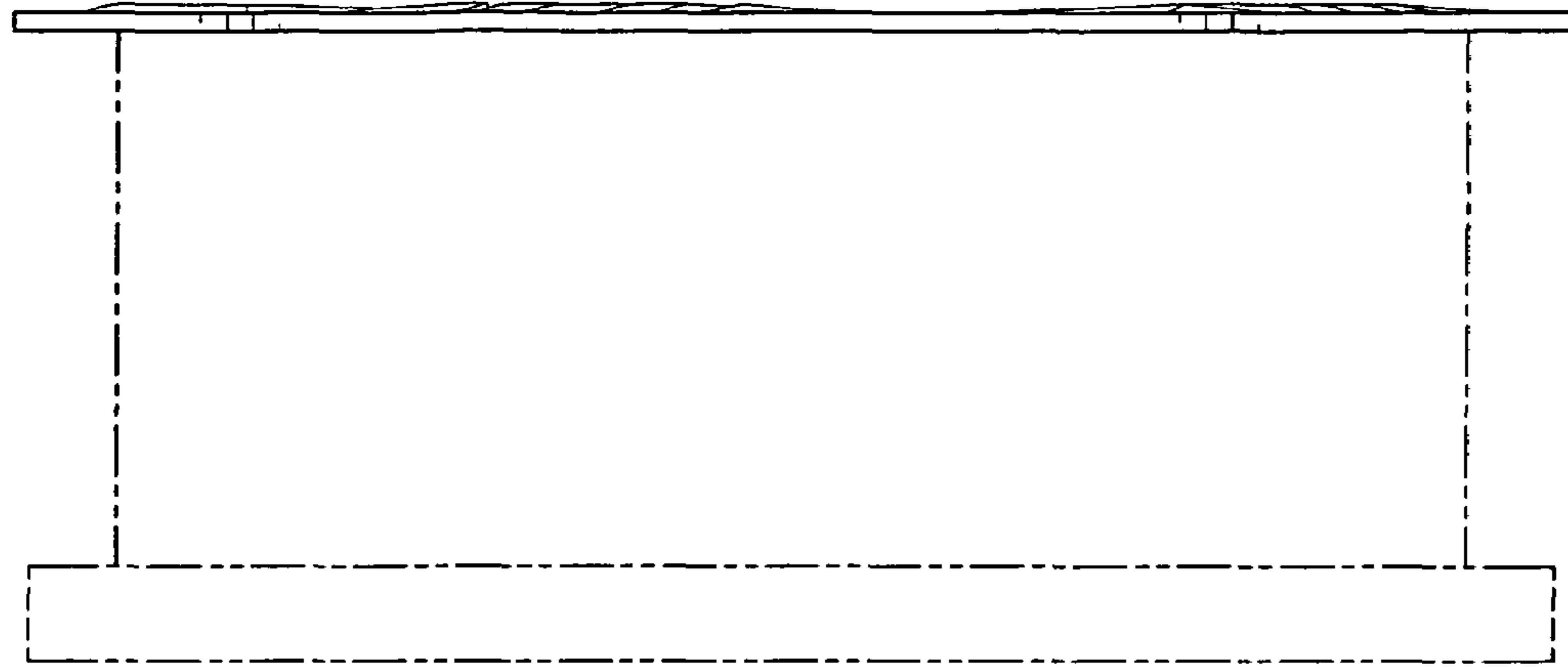


Fig-3

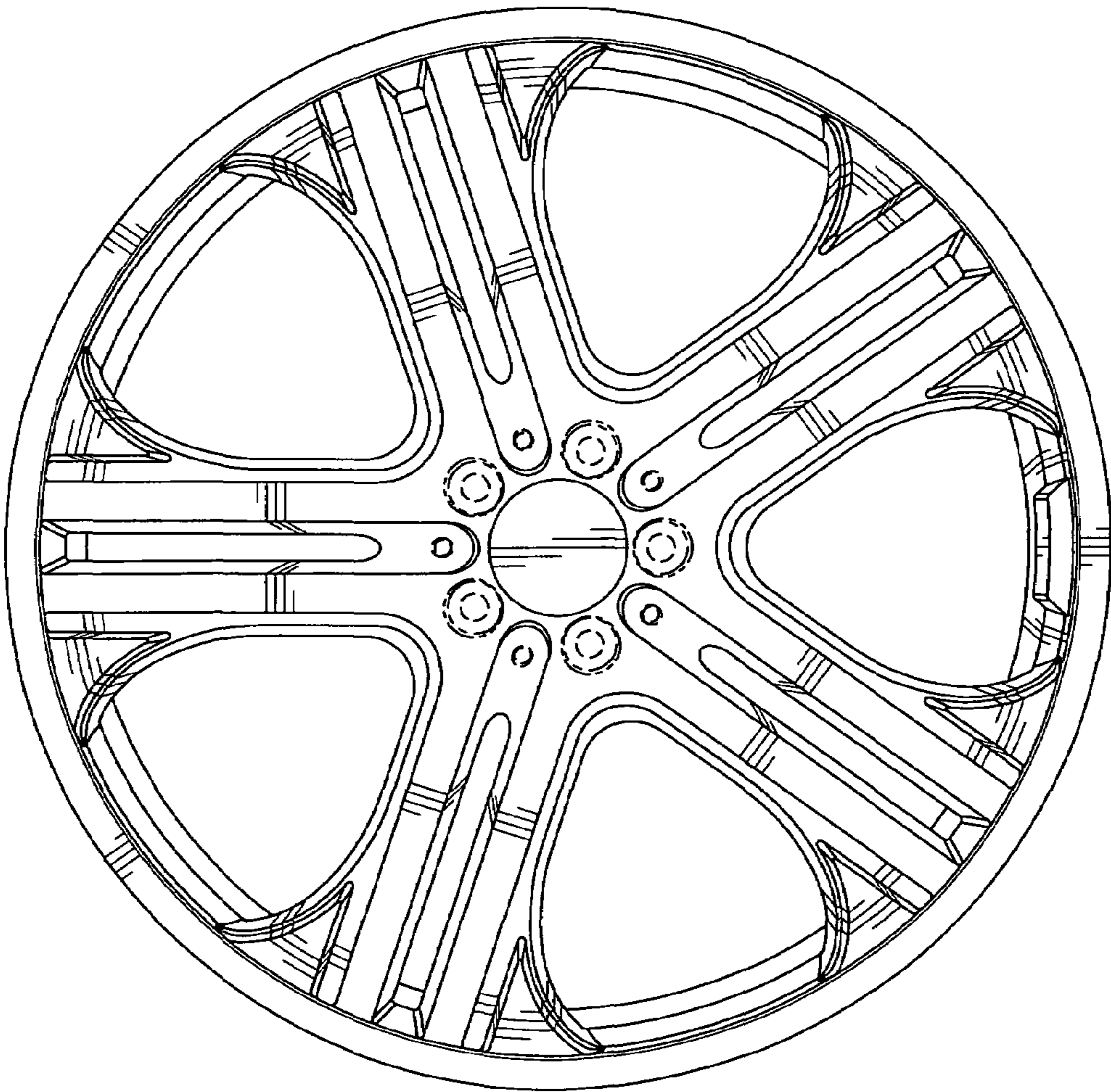


Fig-2

UNITED STATES PATENT AND TRADEMARK OFFICE
CERTIFICATE OF CORRECTION

PATENT NO. : Des. 601,074 S
APPLICATION NO. : 29/314774
DATED : September 29, 2009
INVENTOR(S) : Bodo Buschmann

Page 1 of 1

It is certified that error appears in the above-identified patent and that said Letters Patent is hereby corrected as shown below:

**Title Page, (30) Foreign Application
Priority Data Section:**

“Feb. 20, 2009 (EP)1091979-0001”

should be

--Feb. 20, 2009 (EM)1091979-0001--

Signed and Sealed this

Tenth Day of November, 2009



David J. Kappos
Director of the United States Patent and Trademark Office