



US00D601069S

(12) **United States Design Patent**
Corradi

(10) **Patent No.:** **US D601,069 S**
(45) **Date of Patent:** **** Sep. 29, 2009**

(54) **INSTRUMENTATION PANEL FOR GAMES AND FOR CAR INCLUDING TOY-CAR, MOTOR CAR, REPLICAR AND SCALE-MODEL-CAR**

(75) Inventor: **Roberto Corradi**, Campogalliano (IT)

(73) Assignee: **Ferrari S.p.A.**, Modena (IT)

(**) Term: **14 Years**

(21) Appl. No.: **29/321,889**

(22) Filed: **Jul. 25, 2008**

(51) **LOC (9) Cl.** **12-16**

(52) **U.S. Cl.** **D12/192**

(58) **Field of Classification Search** D12/192,
D12/345, 312, 415; 296/190.01, 37.8; 362/482,
362/489; D23/354, 387; 73/431, 866.3;
180/90; D10/46, 122-127, 103, 49-51; 280/752,
280/DIG. 5

See application file for complete search history.

(56) **References Cited**

U.S. PATENT DOCUMENTS

D261,752 S *	11/1981	Iwakura	D12/114
D470,090 S *	2/2003	Sawabe	D12/192
D472,862 S *	4/2003	Arai	D12/192
D489,302 S *	5/2004	Tuzar	D12/192
D504,368 S *	4/2005	Hayashi	D12/192
D504,370 S *	4/2005	Kraus	D12/192

D514,996 S *	2/2006	Rayburn	D12/192
D529,423 S *	10/2006	Yu et al.	D12/192
D538,719 S *	3/2007	Kraus	D12/192
D542,721 S *	5/2007	Kraus	D12/192
D546,744 S *	7/2007	Fukumoto et al.	D12/192
D549,627 S *	8/2007	Esaki	D12/192

* cited by examiner

Primary Examiner—Caron Veynar

Assistant Examiner—Abraham Bahta

(74) *Attorney, Agent, or Firm*—Cowan, Liebowitz & Latman, PC

(57) **CLAIM**

The ornamental design for an instrumentation panel for games and for car including toy-car, motor car, replica car and scale-model-car, as shown and described.

DESCRIPTION

FIG. 1 is a front view of the instrumentation panel for games and for car including toy-car, motor car, replica car and scale-model-car showing my new design;

FIG. 2 is a rear view thereof;

FIG. 3 is a top view thereof;

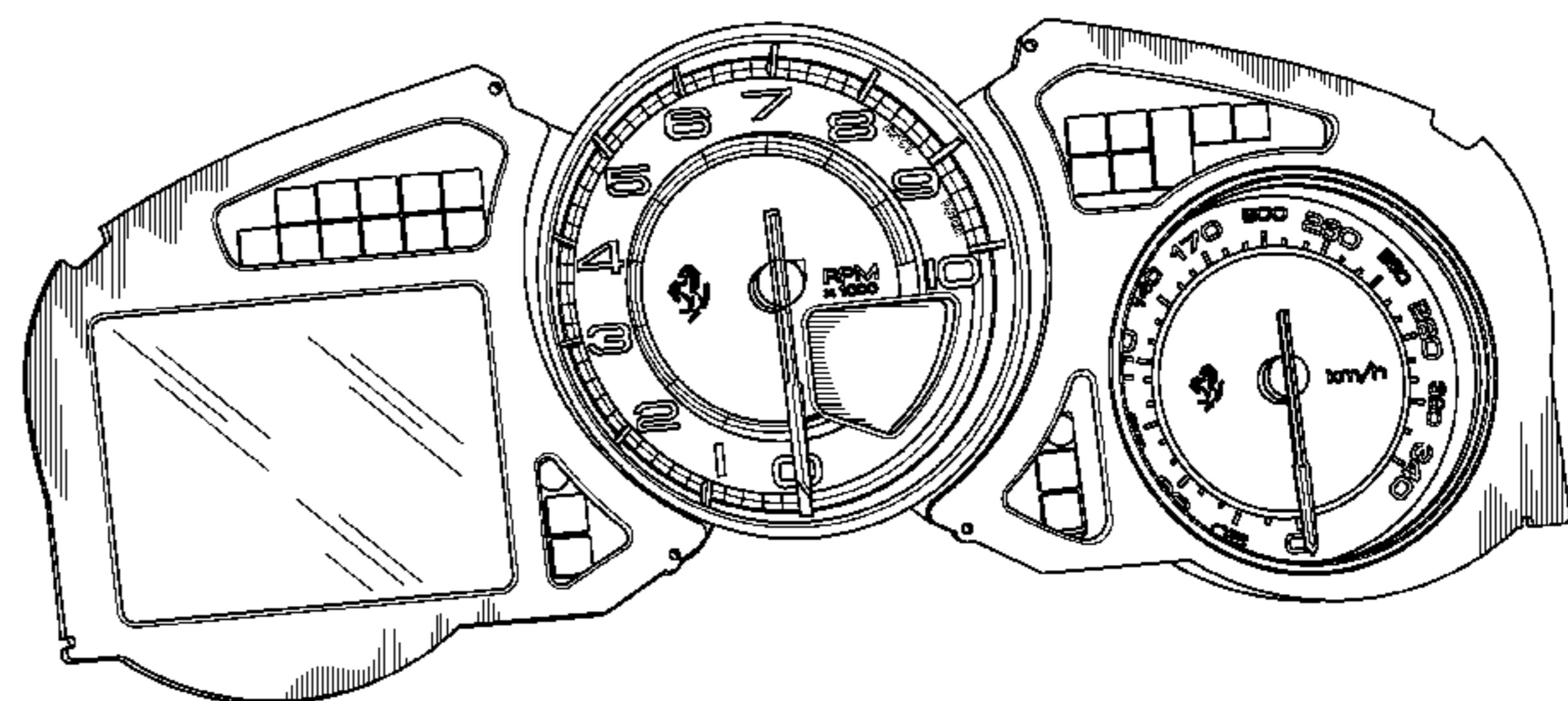
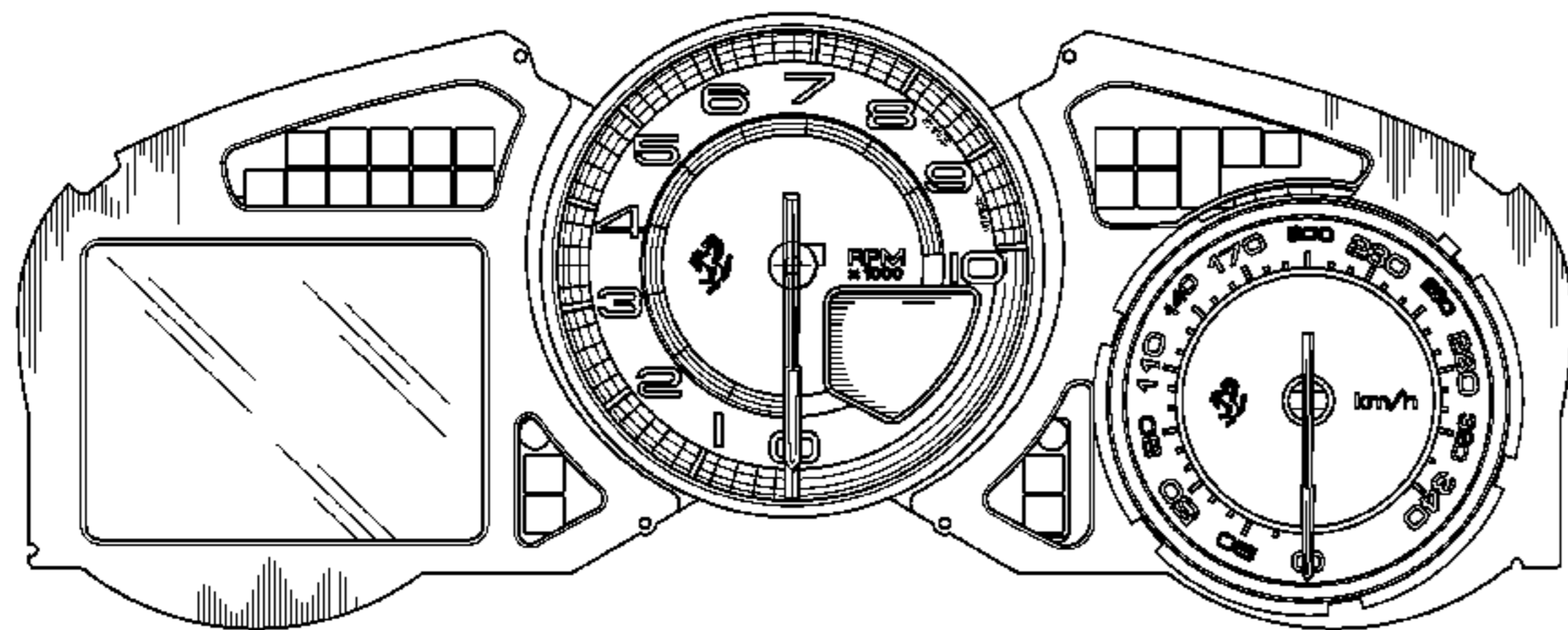
FIG. 4 is a bottom view thereof;

FIG. 5 is a right side view thereof;

FIG. 6 is a left side view thereof; and,

FIG. 7 is a perspective view thereof.

1 Claim, 7 Drawing Sheets



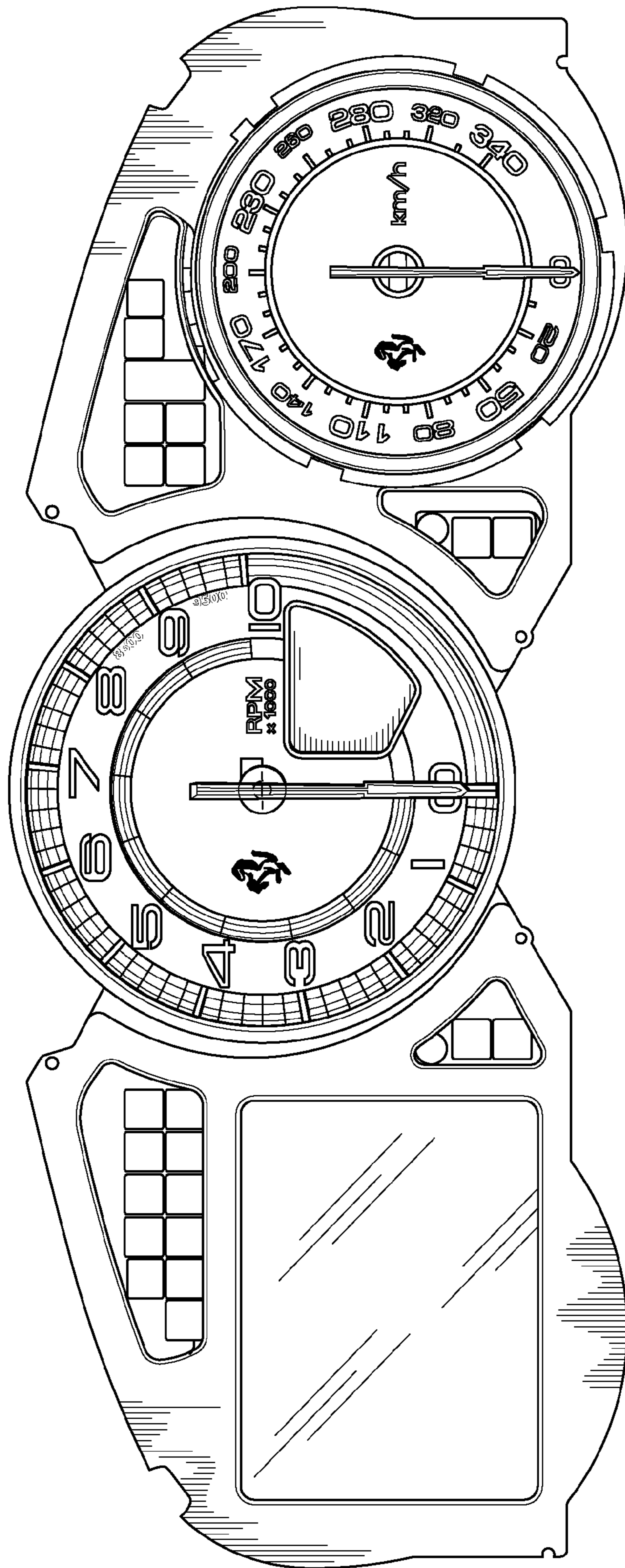


FIG. 1

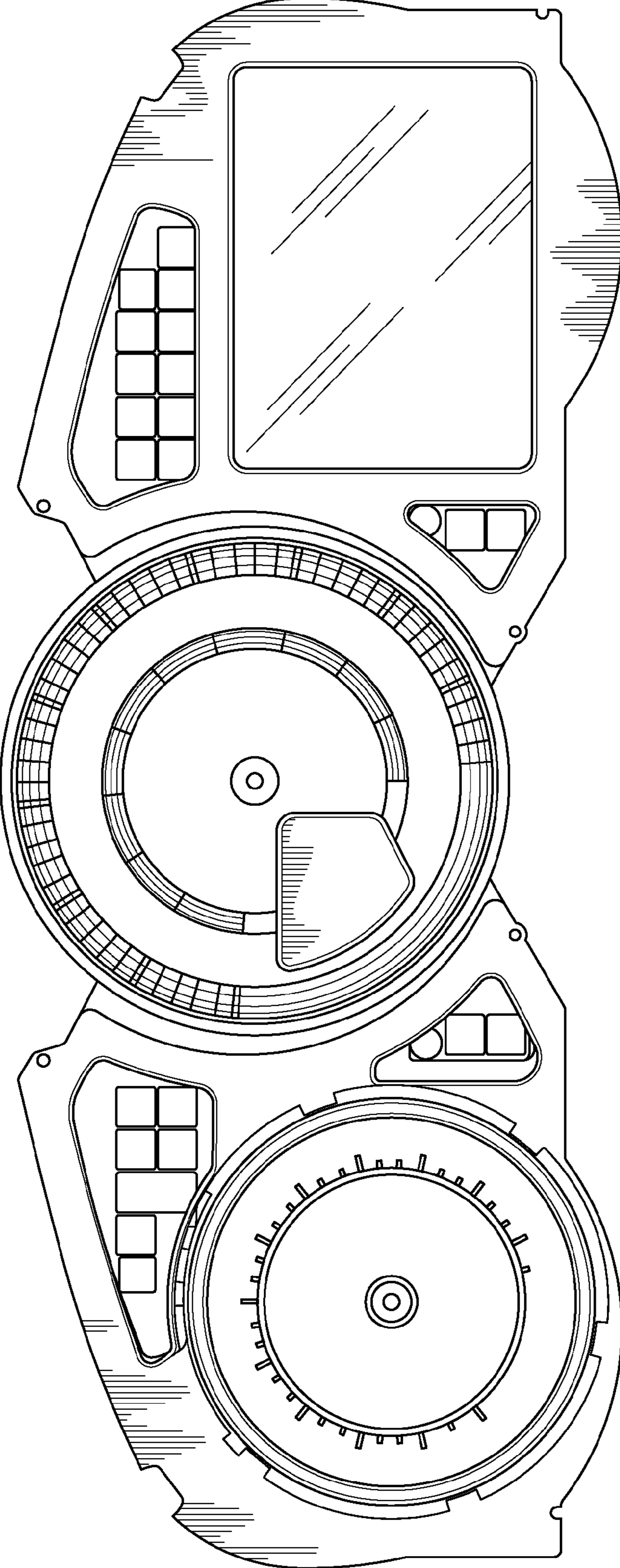


FIG. 2

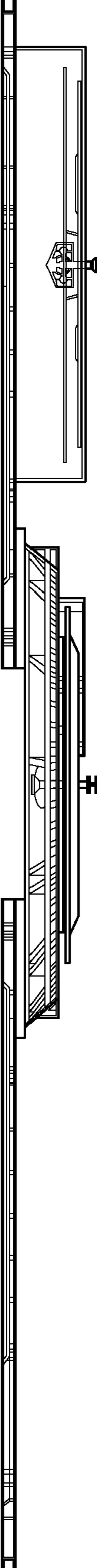


FIG. 3

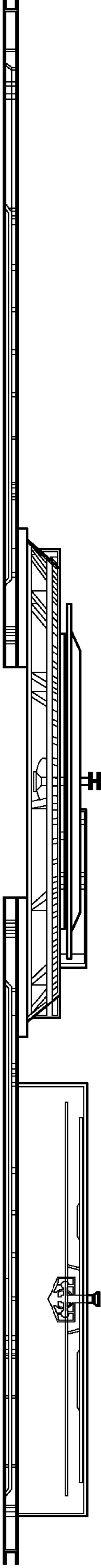


FIG. 4

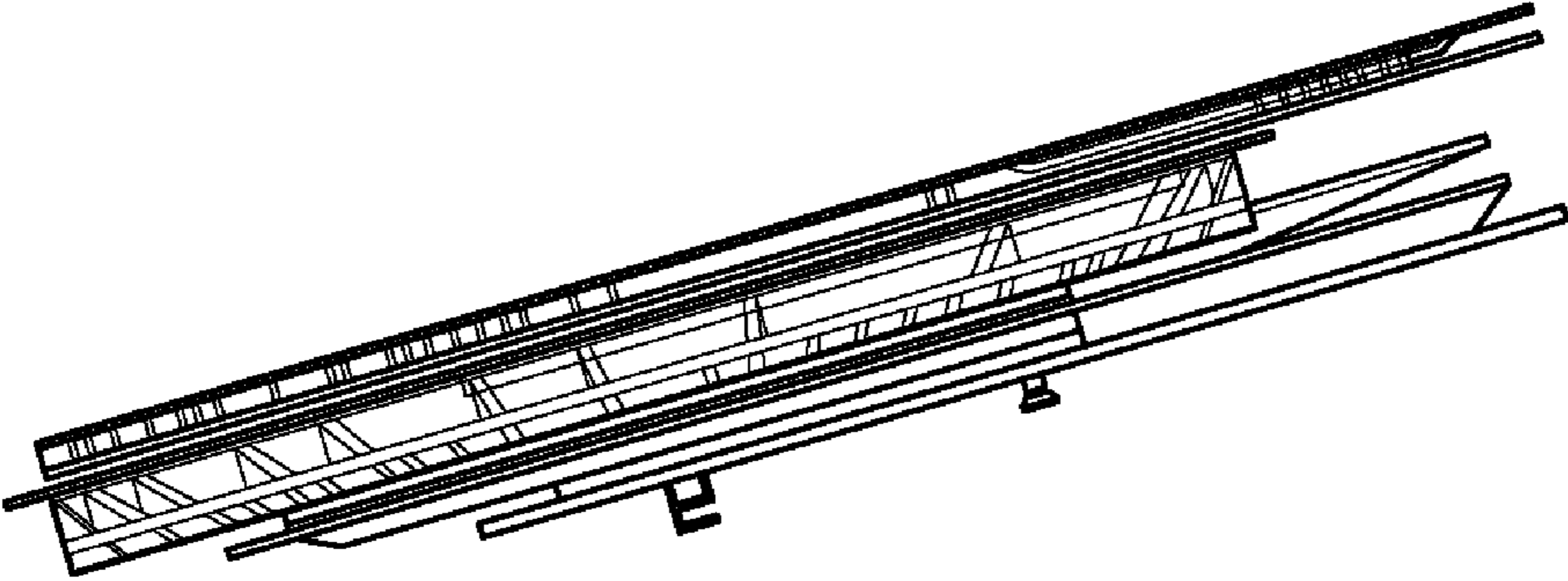


FIG. 5

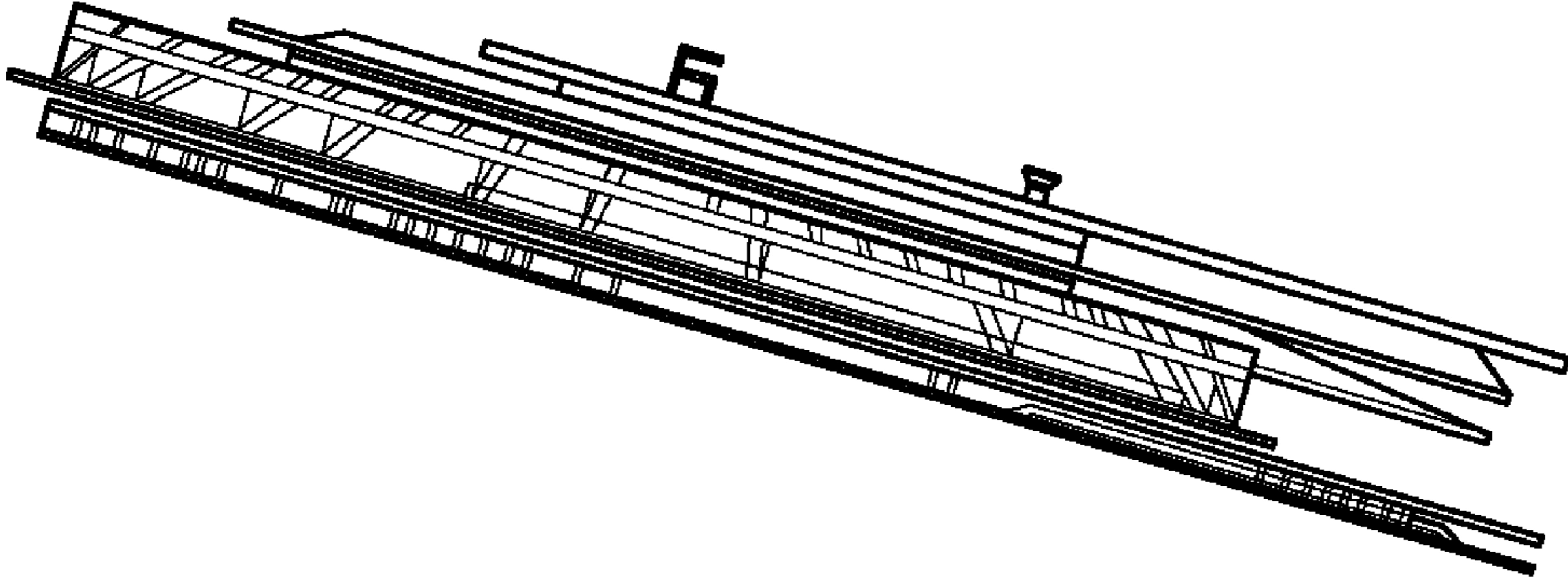


FIG. 6

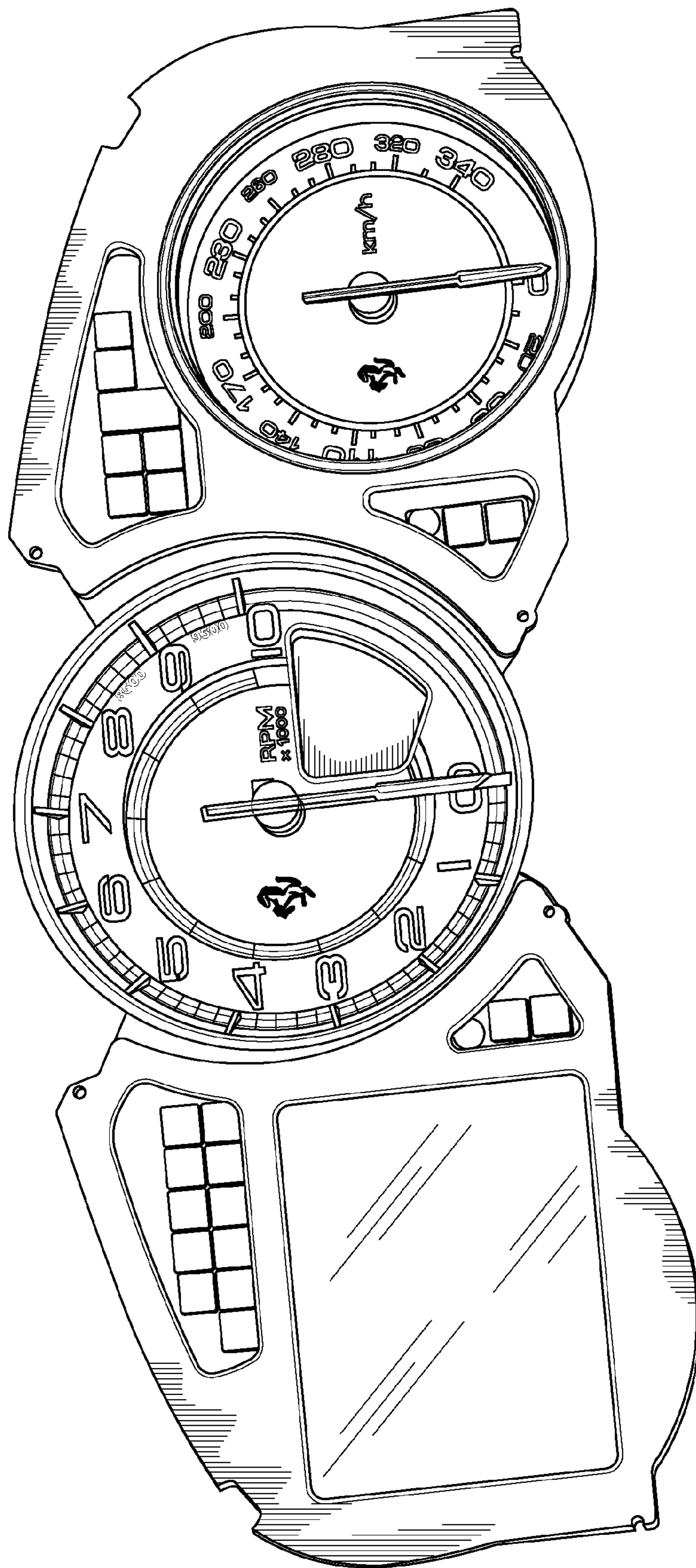


FIG. 7

UNITED STATES PATENT AND TRADEMARK OFFICE
CERTIFICATE OF CORRECTION

PATENT NO. : D601,069 S
APPLICATION NO. : 29/321889
DATED : September 29, 2009
INVENTOR(S) : Roberto Corradi

Page 1 of 1

It is certified that error appears in the above-identified patent and that said Letters Patent is hereby corrected as shown below:

Title Page, after item (22) Filed: Jul. 25, 2008, insert:

-- (30) Foreign Application Priority Data

Feb. 15, 2008 (EM) 000879465
Feb. 15, 2008 (EM) 000879531 --

Signed and Sealed this
Seventeenth Day of February, 2015



Michelle K. Lee
Deputy Director of the United States Patent and Trademark Office