



US00D601061S

(12) **United States Design Patent**  
**Heinrich et al.**

(10) **Patent No.:** **US D601,061 S**  
(45) **Date of Patent:** **\*\* Sep. 29, 2009**

(54) **MOTORCYCLE, TOY, OR  
MOTORCYCLE-SHAPED ARTICLE**

D588,960 S \* 3/2009 Buckan et al. .... D12/110

\* cited by examiner

(75) Inventors: **Edgar Heinrich**, Freising (DE); **David Robb**, Munich (DE); **Sebastian Wilm**, Munich (DE)

*Primary Examiner*—Robin V Webster

*Assistant Examiner*—Linda Brooks

(74) *Attorney, Agent, or Firm*—Crowell & Moring LLP

(73) Assignee: **Bayerische Motoren Werke Aktiengesellschaft**, Munich (DE)

(57) **CLAIM**

(\*\*) Term: **14 Years**

The ornamental design for a motorcycle, toy, or motorcycle-shaped article, as shown and described.

(21) Appl. No.: **29/328,847**

**DESCRIPTION**

(22) Filed: **Dec. 3, 2008**

This application is related to the following co-pending applications: application Ser. No. 29/290,338, filed Nov. 21, 2007; and application Ser. No. 29/290,883, filed Jan. 25, 2008.

(30) **Foreign Application Priority Data**

Jun. 4, 2008 (DE) ..... 402008002711

FIG. 1 is a left, front perspective view of a motorcycle, toy, or motorcycle-shaped article according to our novel design;

(51) **LOC (9) Cl.** ..... **12-11**

(52) **U.S. Cl.** ..... **D12/110**

FIG. 2 is a left, rear perspective view thereof;

(58) **Field of Classification Search** ..... D12/110;

180/219, 220, 225, 229; 280/827, 828; D21/432,

D21/458; 446/440

FIG. 3 is a right, front perspective view thereof;

FIG. 4 is a right, rear perspective view thereof;

FIG. 5 is a left side view thereof;

FIG. 6 is a right side view thereof;

See application file for complete search history.

FIG. 7 is a front view thereof;

FIG. 8 is a rear view thereof;

FIG. 9 is a top view thereof; and,

FIG. 10 is a bottom view thereof.

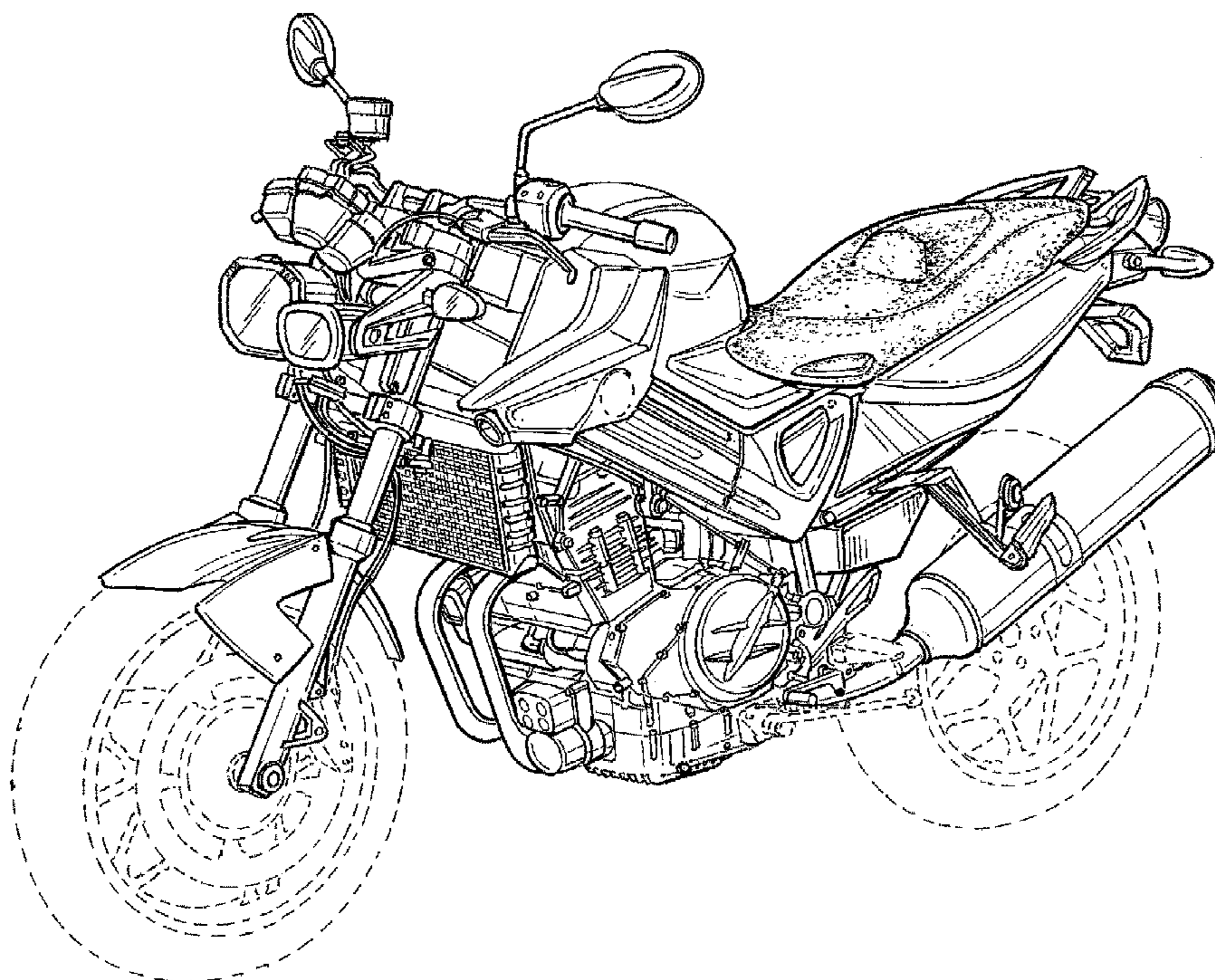
The broken lines are for illustrative purposes only and form no part of the claimed design.

(56) **References Cited**

**U.S. PATENT DOCUMENTS**

D382,835 S 8/1997 Abe et al.  
D437,262 S 2/2001 Robb et al.  
D455,373 S 4/2002 Robb et al.  
D548,649 S 8/2007 Heinrich et al.  
D549,137 S 8/2007 Heinrich et al.  
D566,010 S 4/2008 Hohdorf et al.  
D587,172 S \* 2/2009 Buckan et al. .... D12/110

**1 Claim, 9 Drawing Sheets**



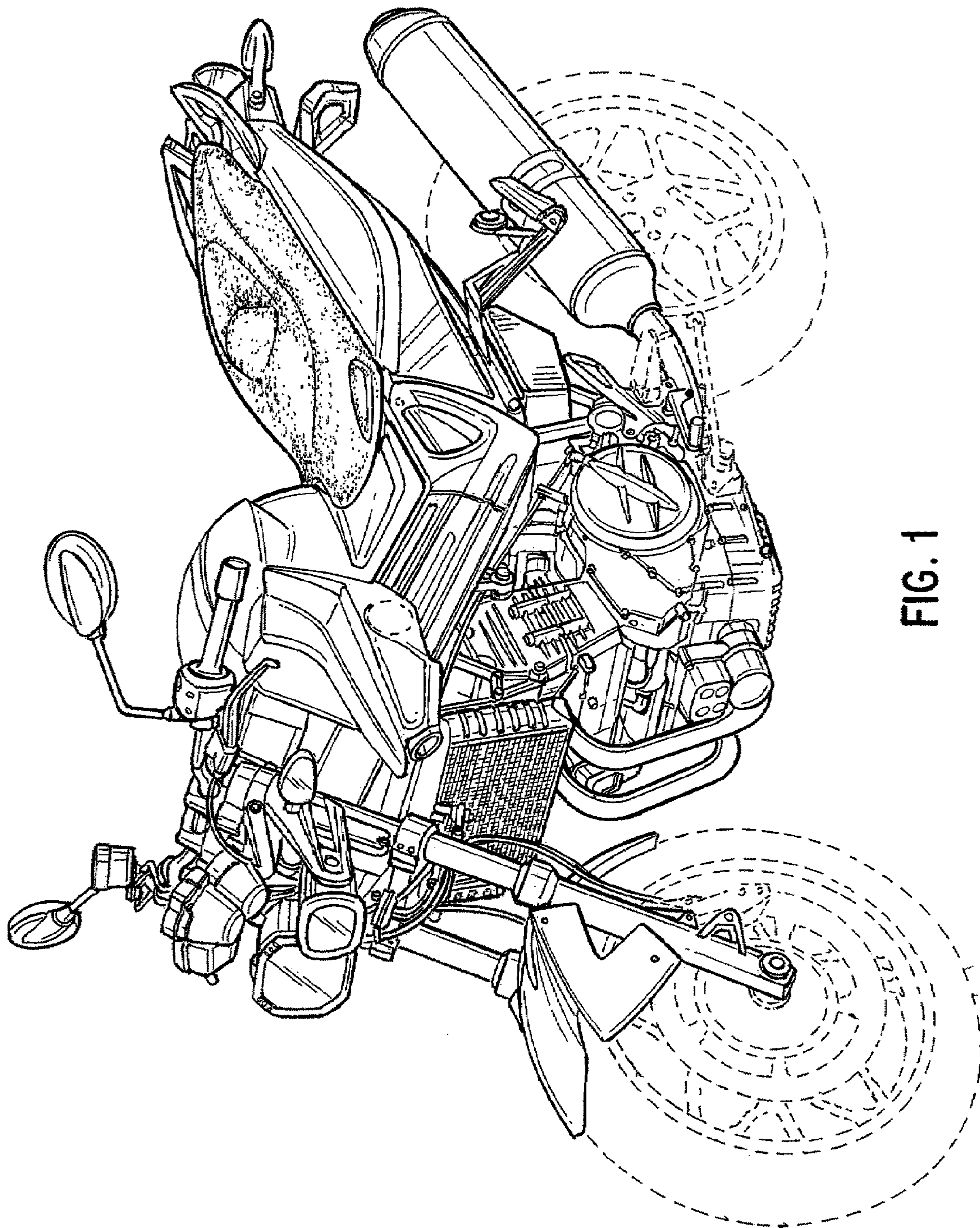


FIG. 1

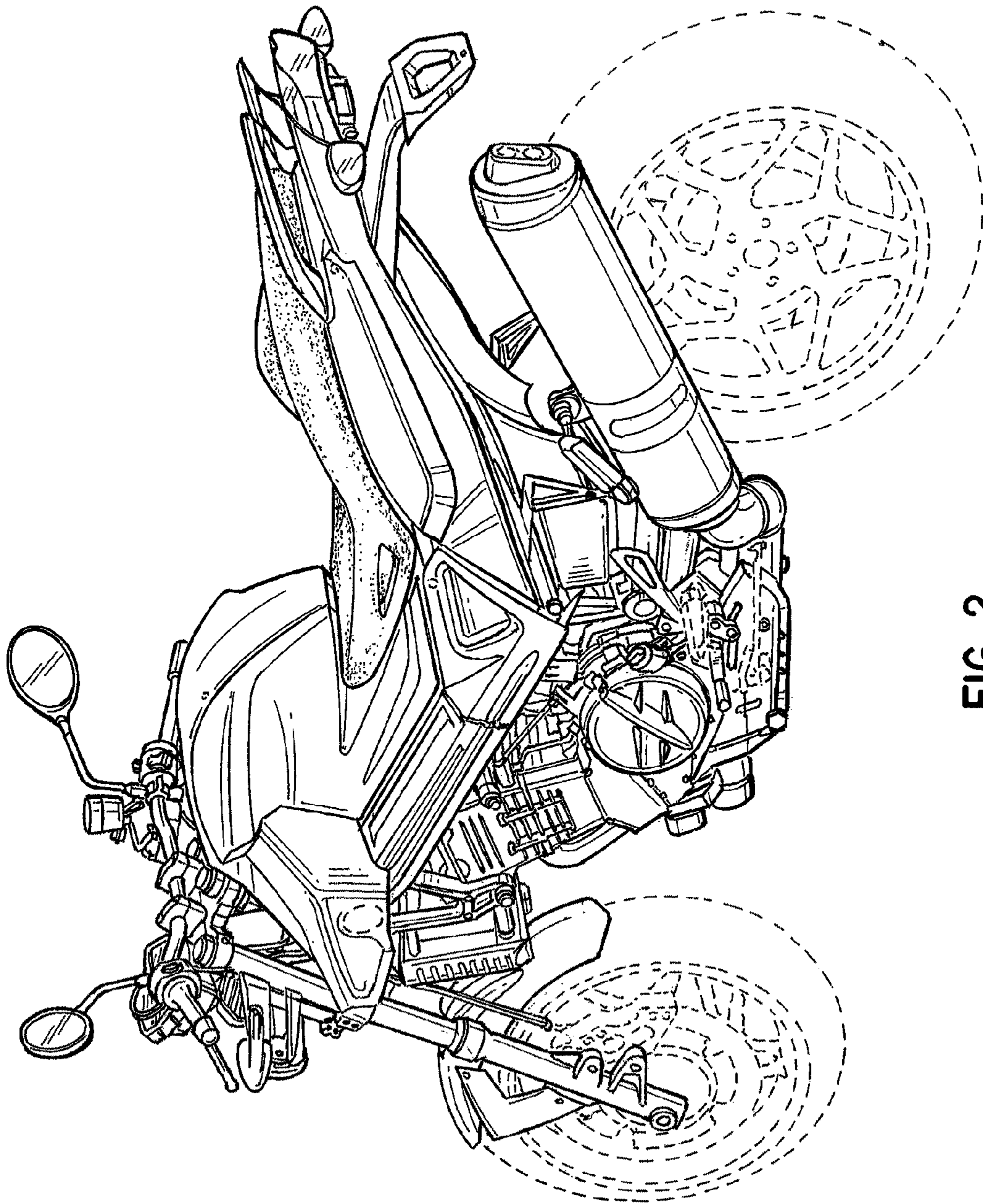


FIG. 2

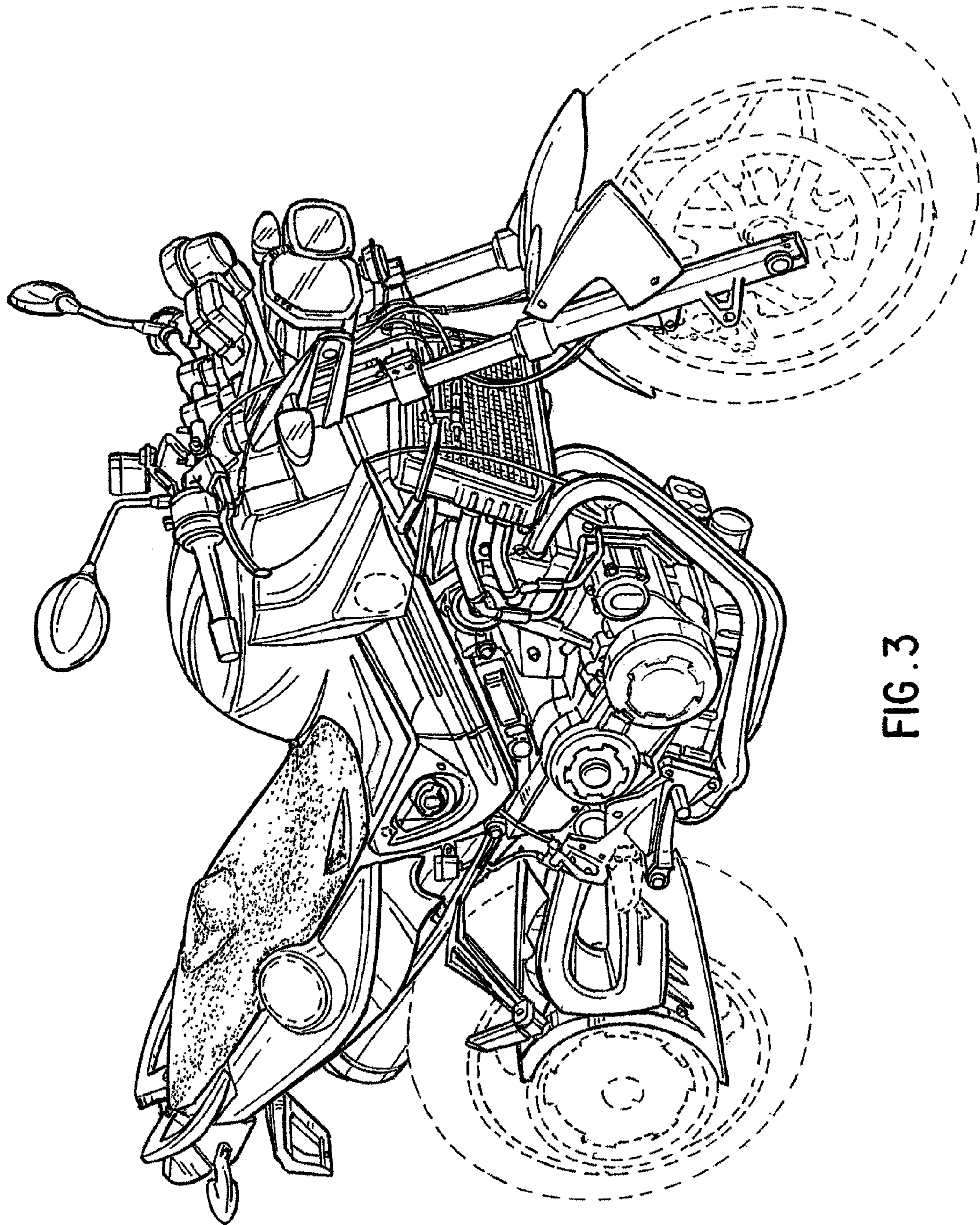


FIG. 3

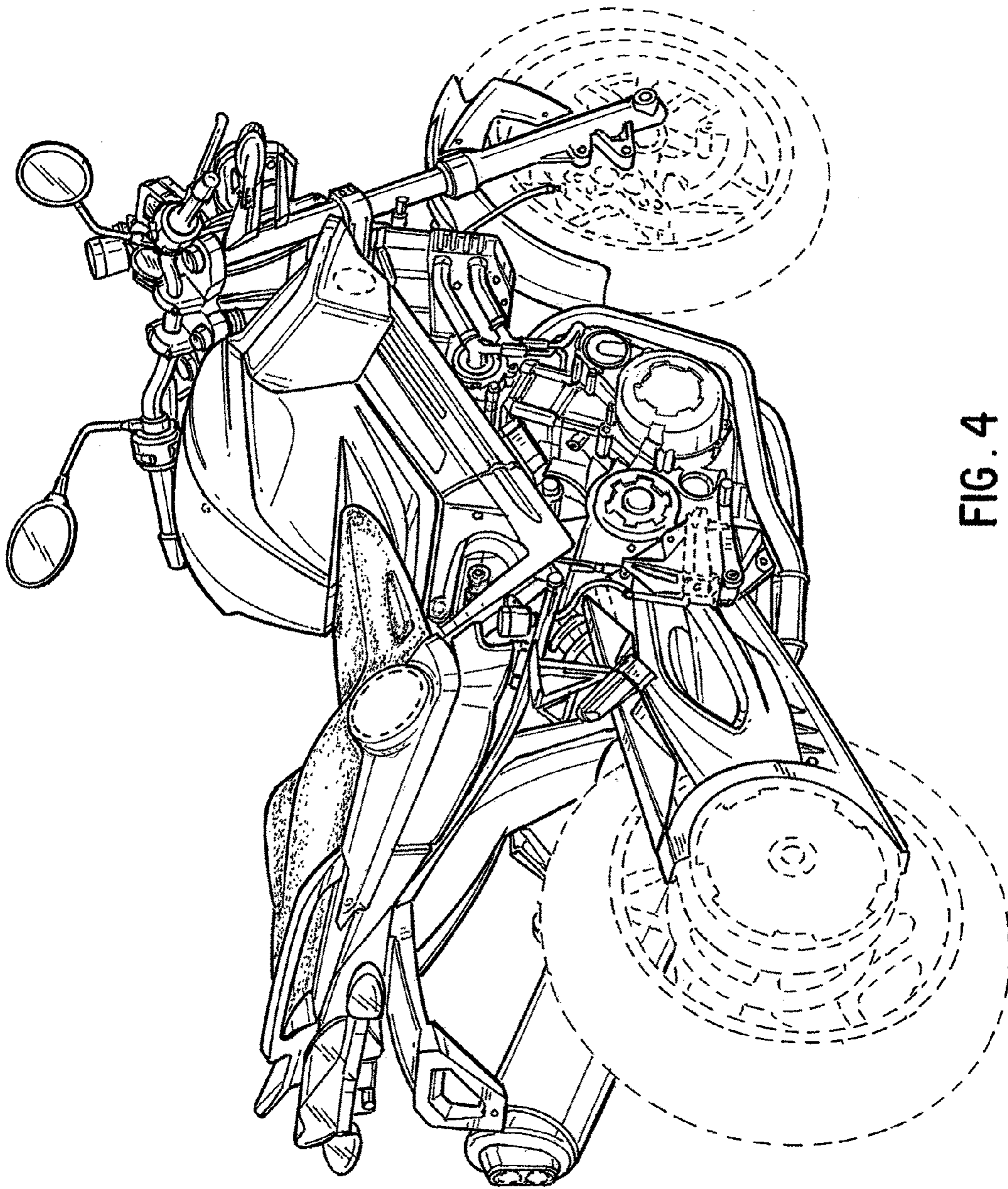


FIG. 4

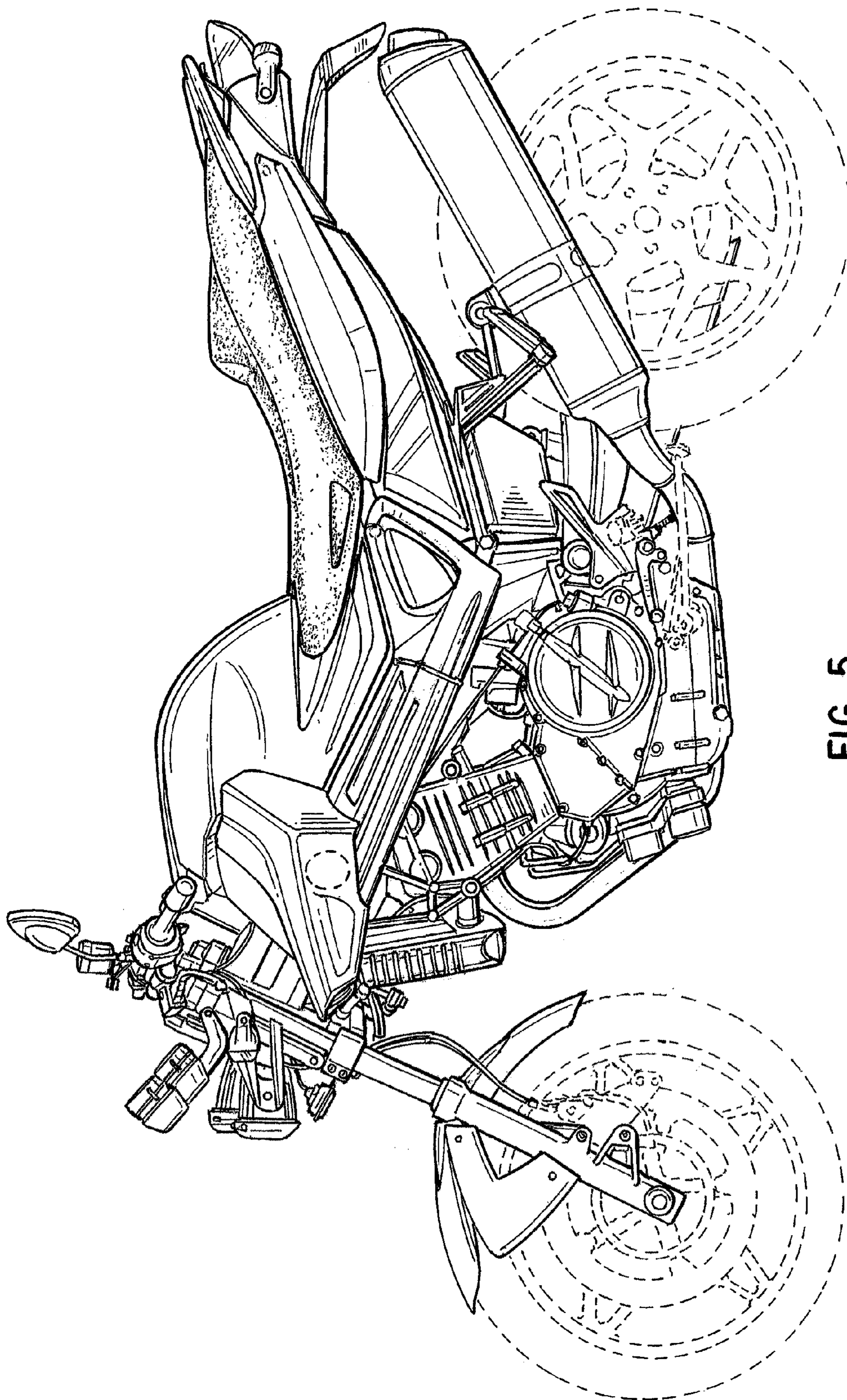


FIG. 5

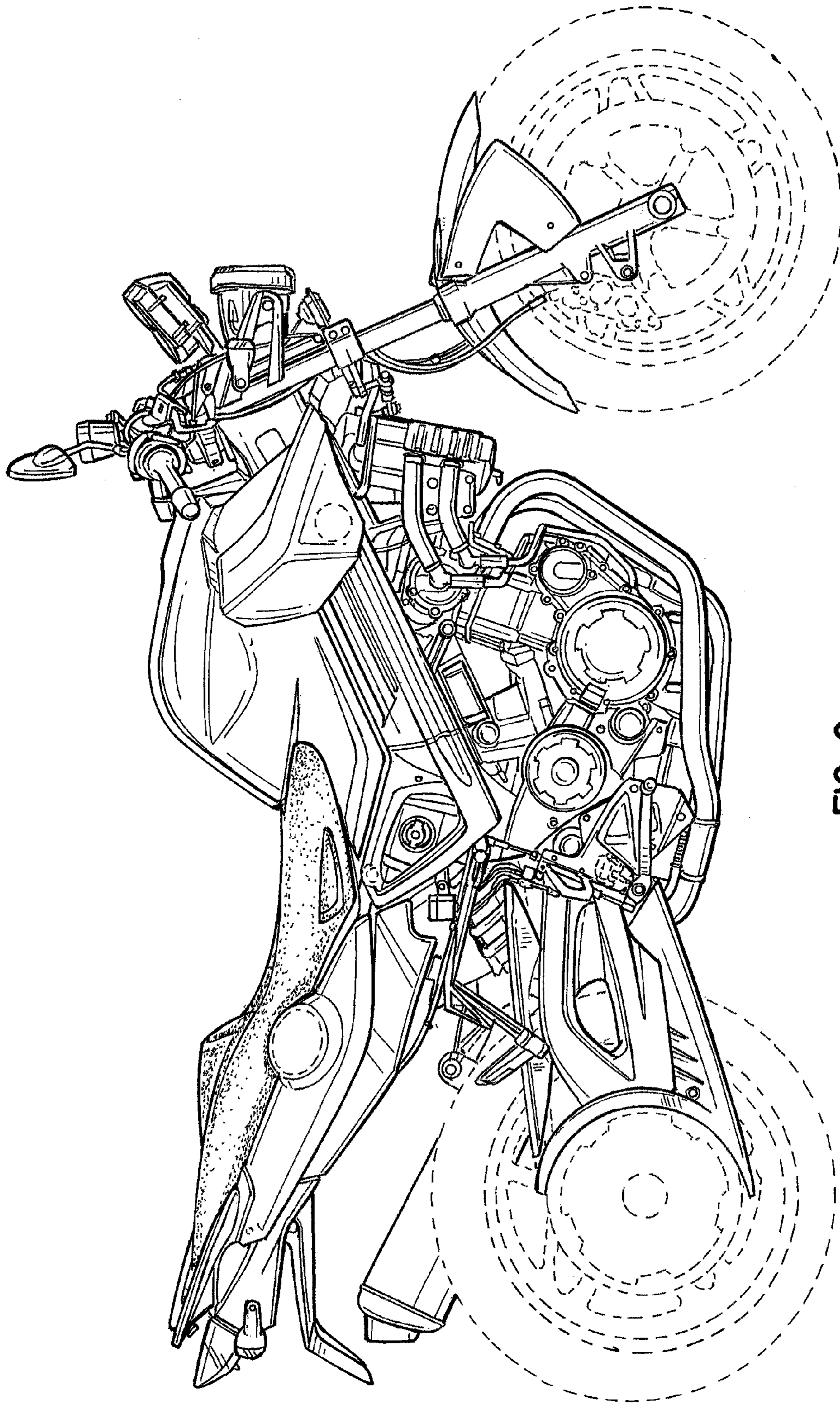


FIG. 6

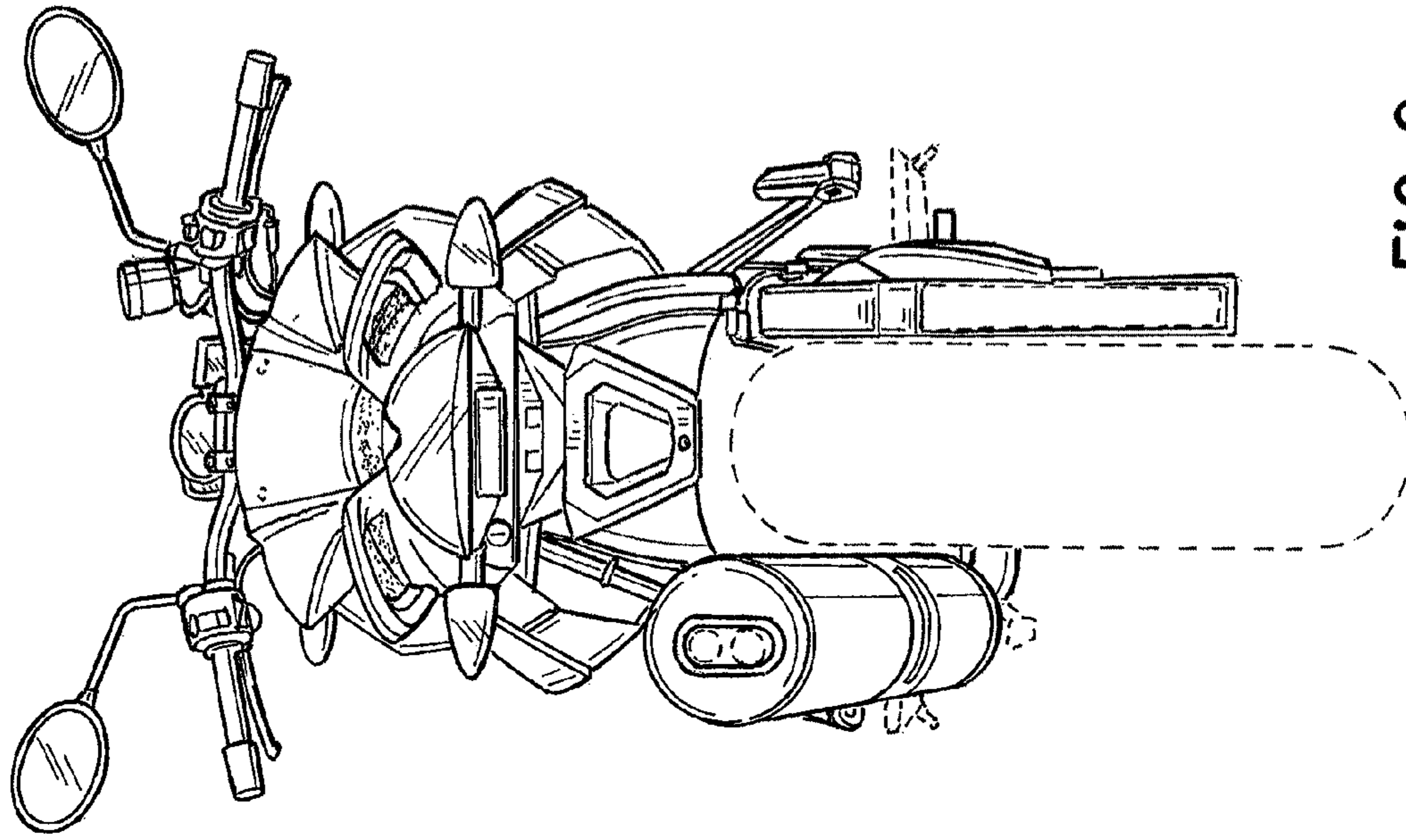


FIG. 8

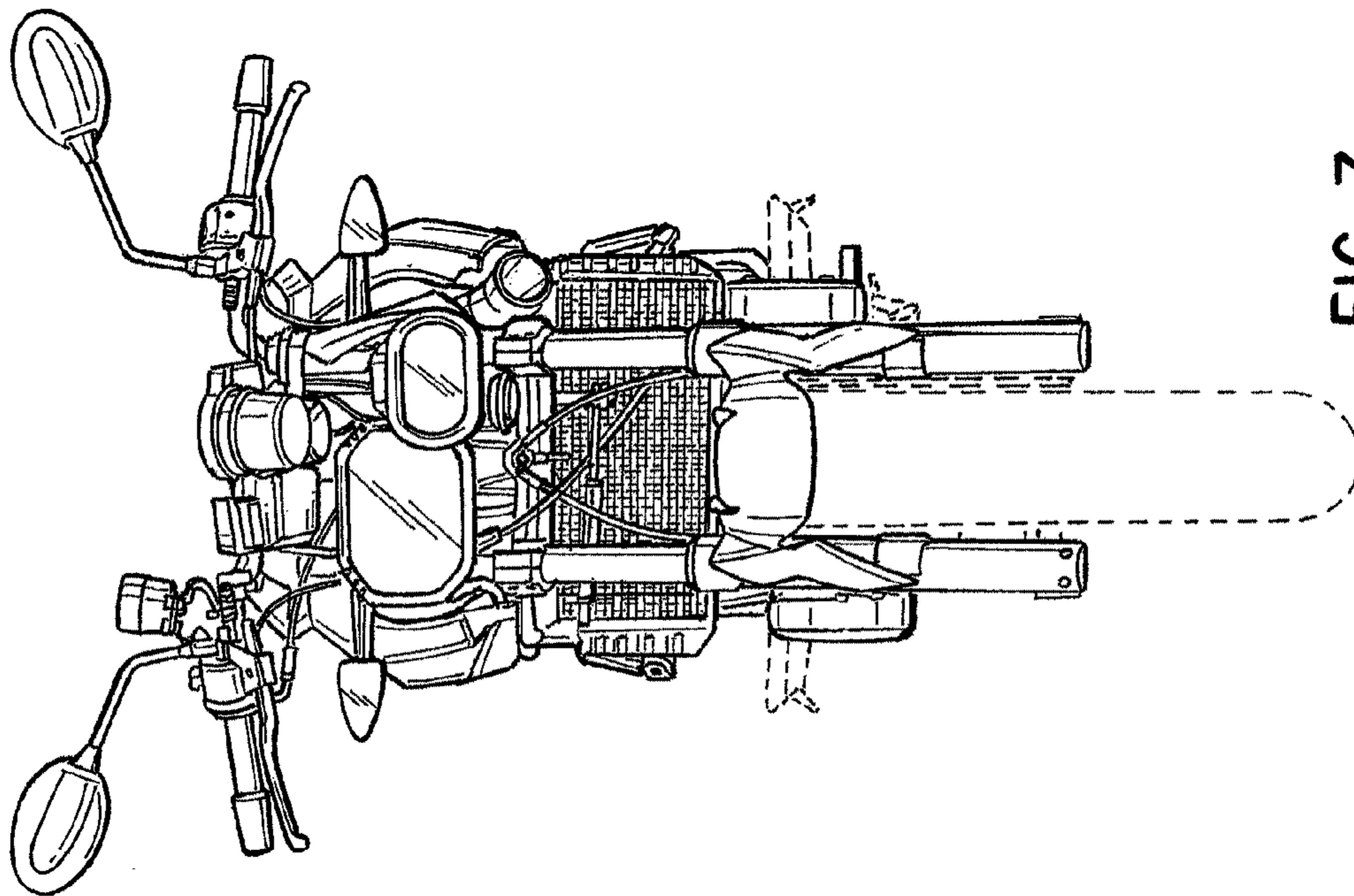


FIG. 7



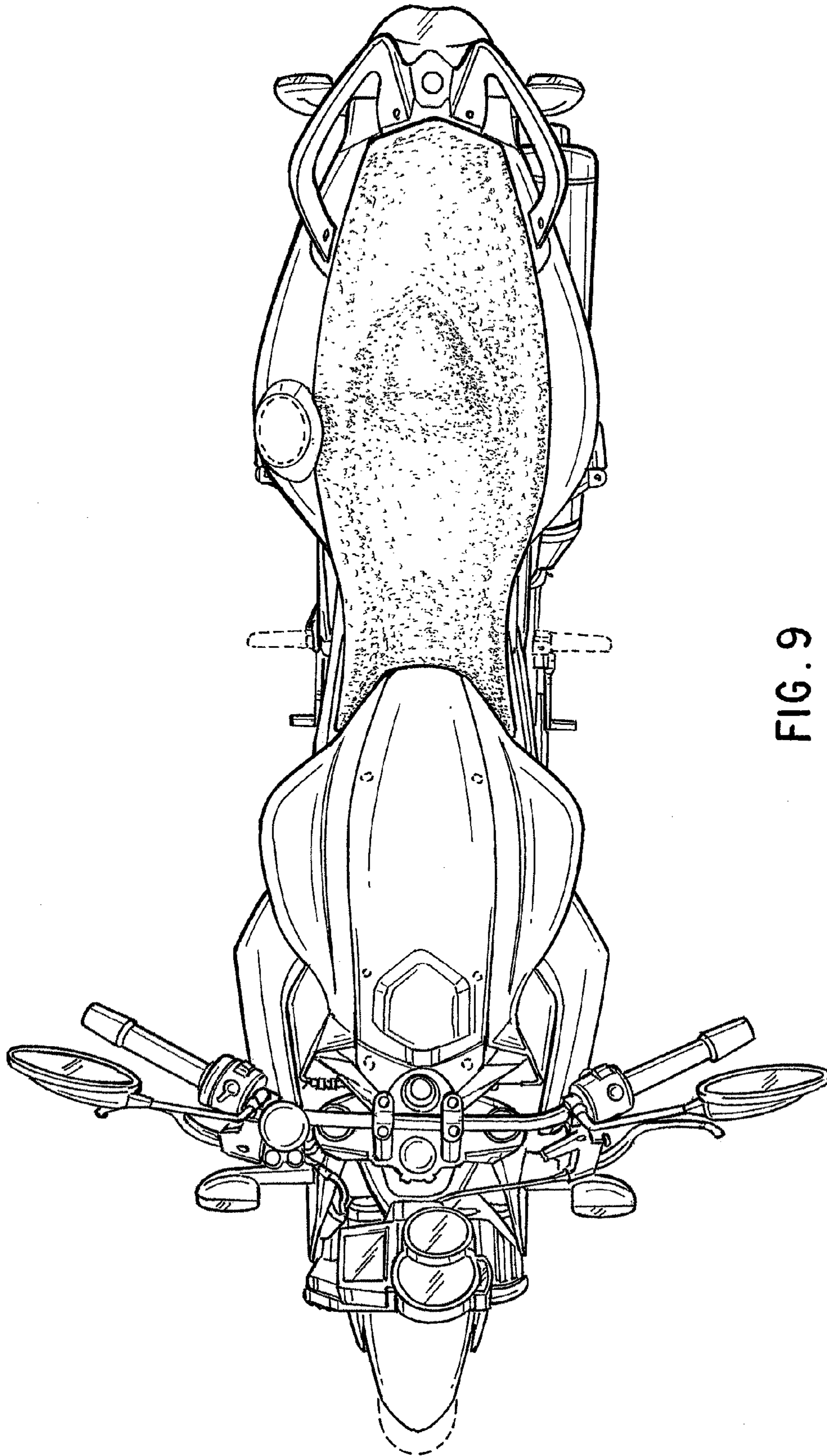


FIG. 9

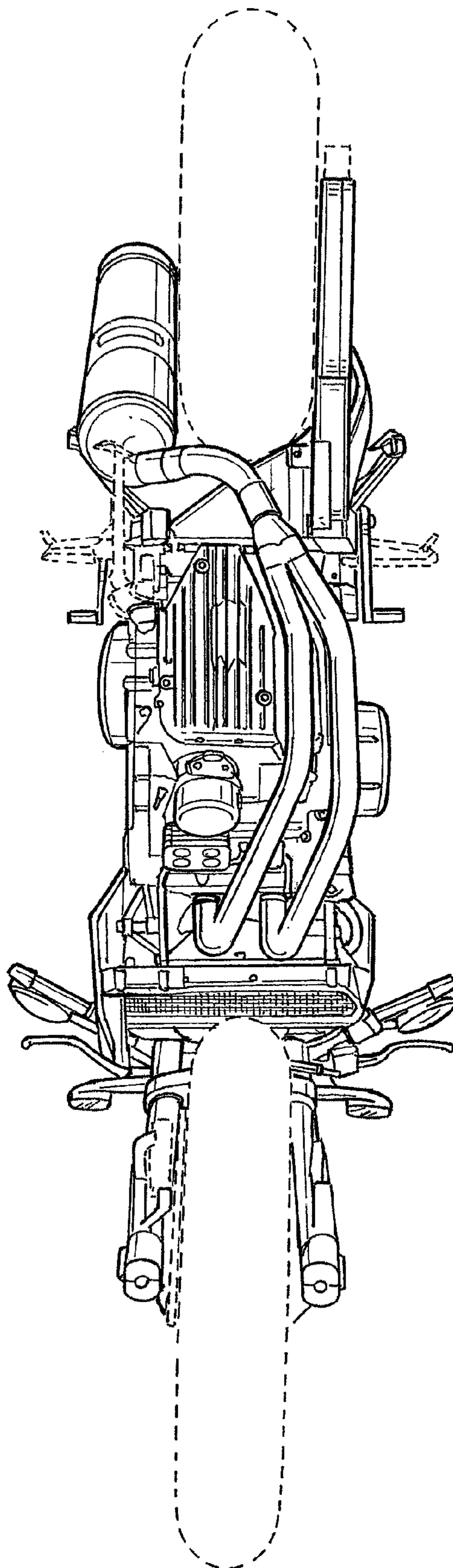


FIG. 10