



US00D601059S

(12) **United States Design Patent**  
**Greer**

(10) **Patent No.:** **US D601,059 S**

(45) **Date of Patent:** **\*\* Sep. 29, 2009**

(54) **ATV TRAILER**

D390,166 S \* 2/1998 Kass et al. .... D12/102  
D391,525 S \* 3/1998 Savitski .... D12/102  
D464,916 S \* 10/2002 Golenz et al. .... D12/102

(75) Inventor: **David M. Greer**, Fairbanks, AK (US)

(73) Assignee: **Greer Tank, Inc.**, Fairbanks, AK (US)

\* cited by examiner

(\*\*) Term: **14 Years**

*Primary Examiner*—Caron Veynar

*Assistant Examiner*—George D Kirschbaum

(21) Appl. No.: **29/296,141**

(74) *Attorney, Agent, or Firm*—Locke Lord Bissell & Liddell  
LLP

(22) Filed: **Oct. 15, 2007**

(57) **CLAIM**

(51) **LOC (9) Cl.** ..... **12-16**

The ornamental design for an ATV trailer, as shown and described.

(52) **U.S. Cl.** ..... **D12/101**

(58) **Field of Classification Search** ..... D12/106,  
D12/102, 203, 101, 413, 414.1; 296/37.6;  
280/163, 164.1, 166, 169, 607, 164.2, 165;  
52/846, 630; 220/1.5, 210, 200; 224/404;  
292/26, 216

**DESCRIPTION**

See application file for complete search history.

FIG. 1 is a perspective view of an ATV trailer, illustrating my new design;

FIG. 2 is a left side view of FIG. 1.

FIG. 3 is a top view of FIG. 1.

FIG. 4 is the front view of FIG. 1; and,

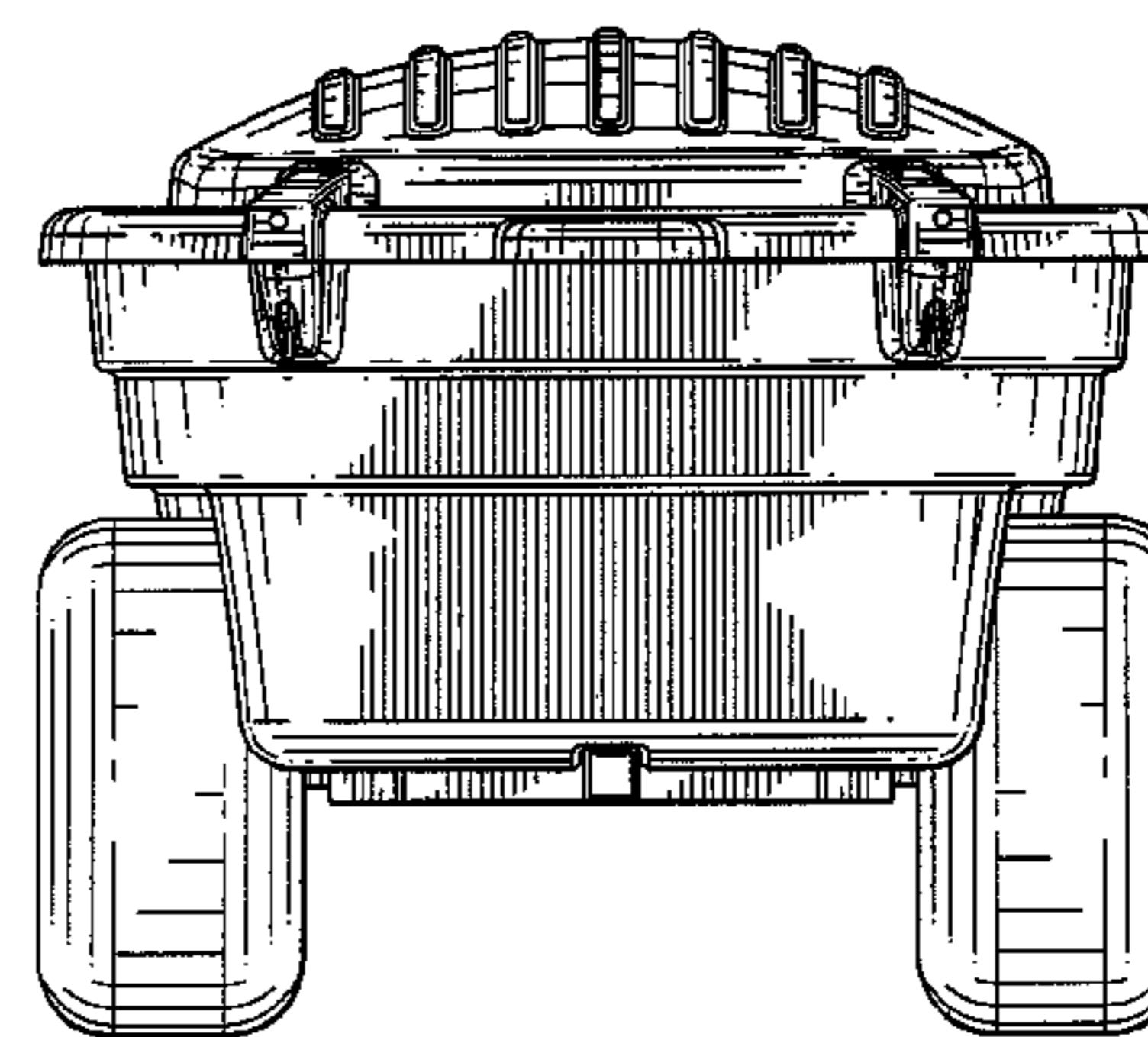
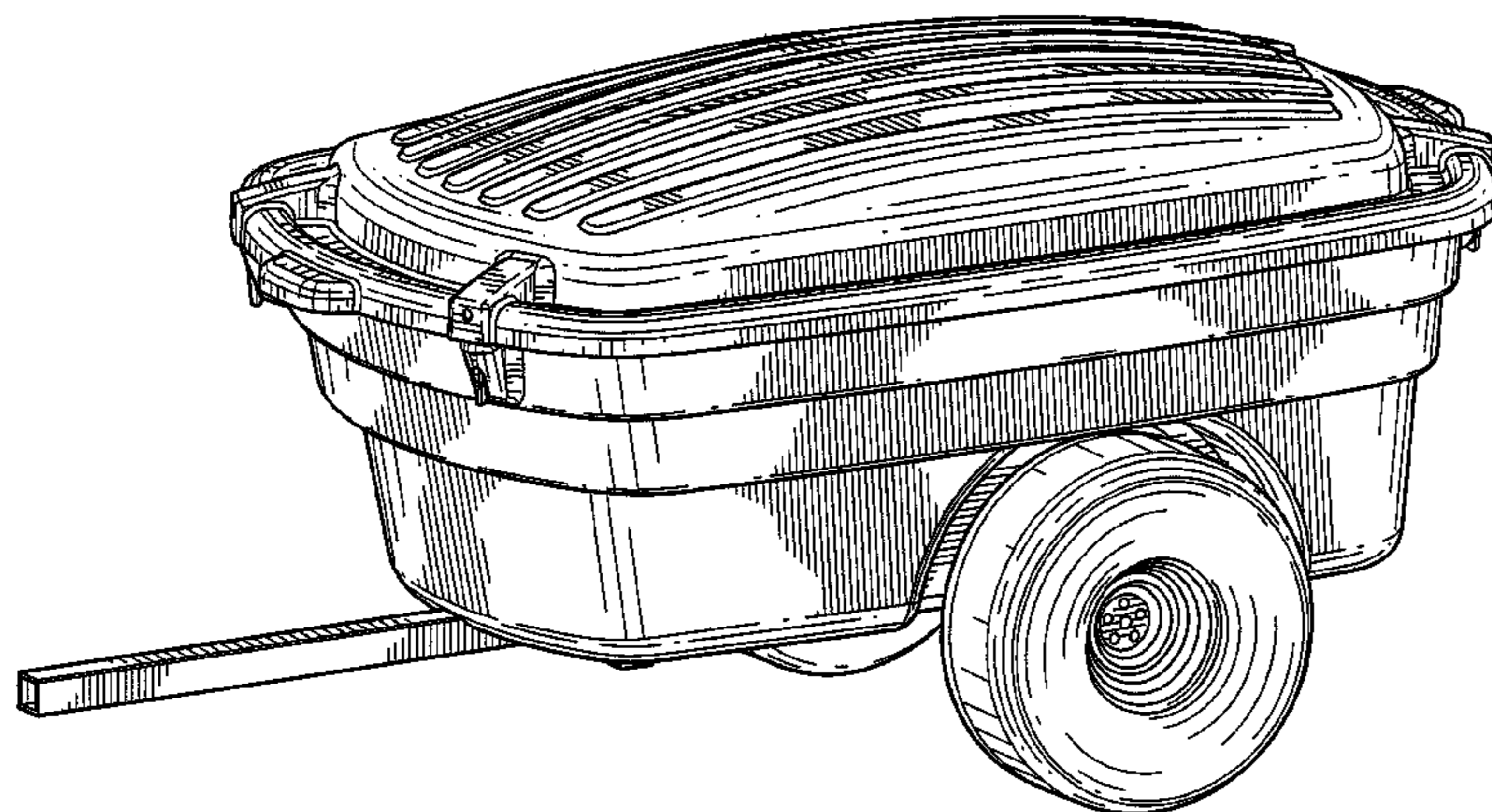
FIG. 5 is the rear view of FIG. 1.

(56) **References Cited**

**U.S. PATENT DOCUMENTS**

D265,301 S \* 7/1982 Zander ..... D12/102  
D272,996 S \* 3/1984 Trabue et al. .... D12/102  
D274,896 S \* 7/1984 Wilson ..... D12/102

**1 Claim, 5 Drawing Sheets**



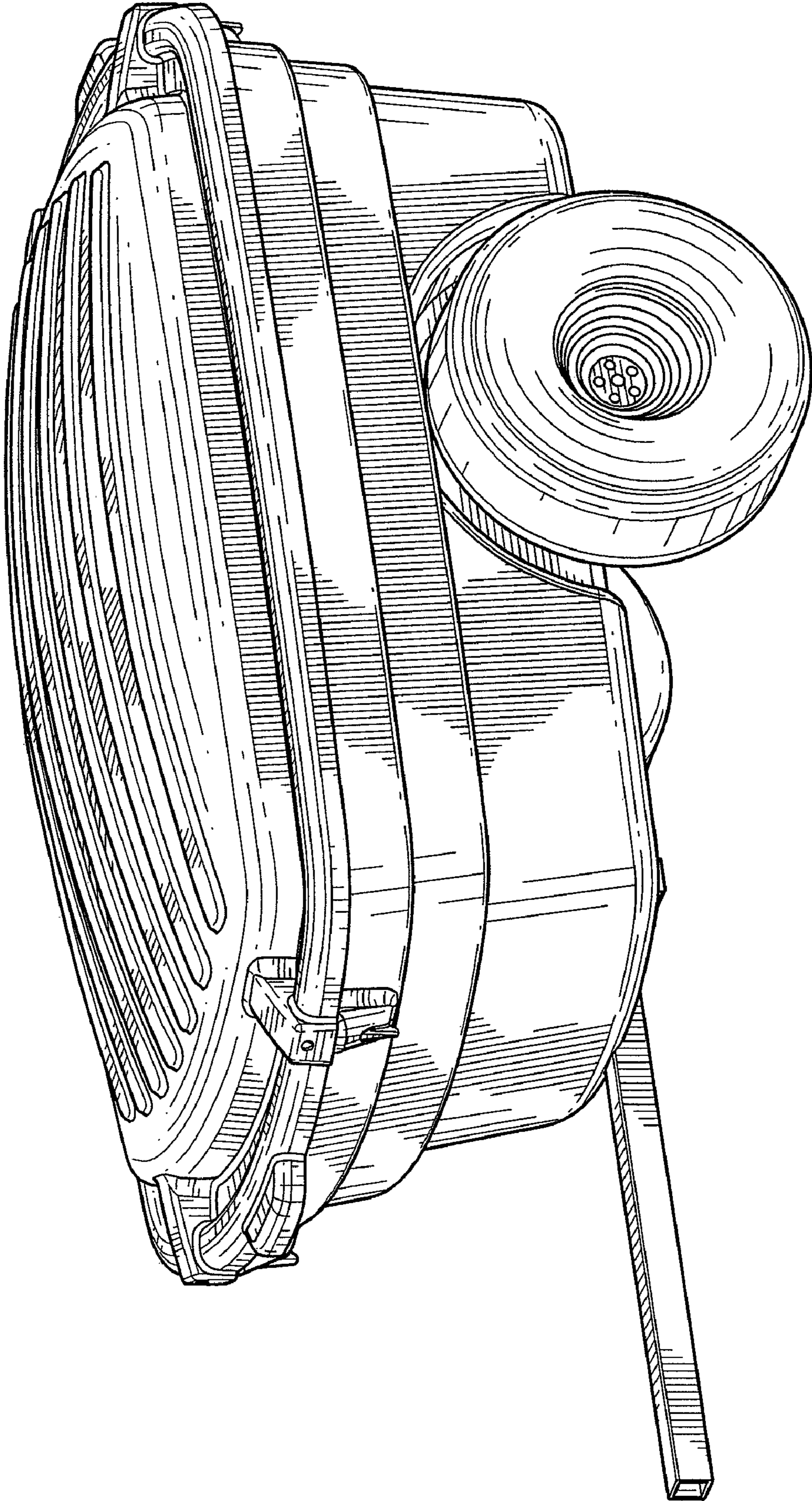


FIG. 1

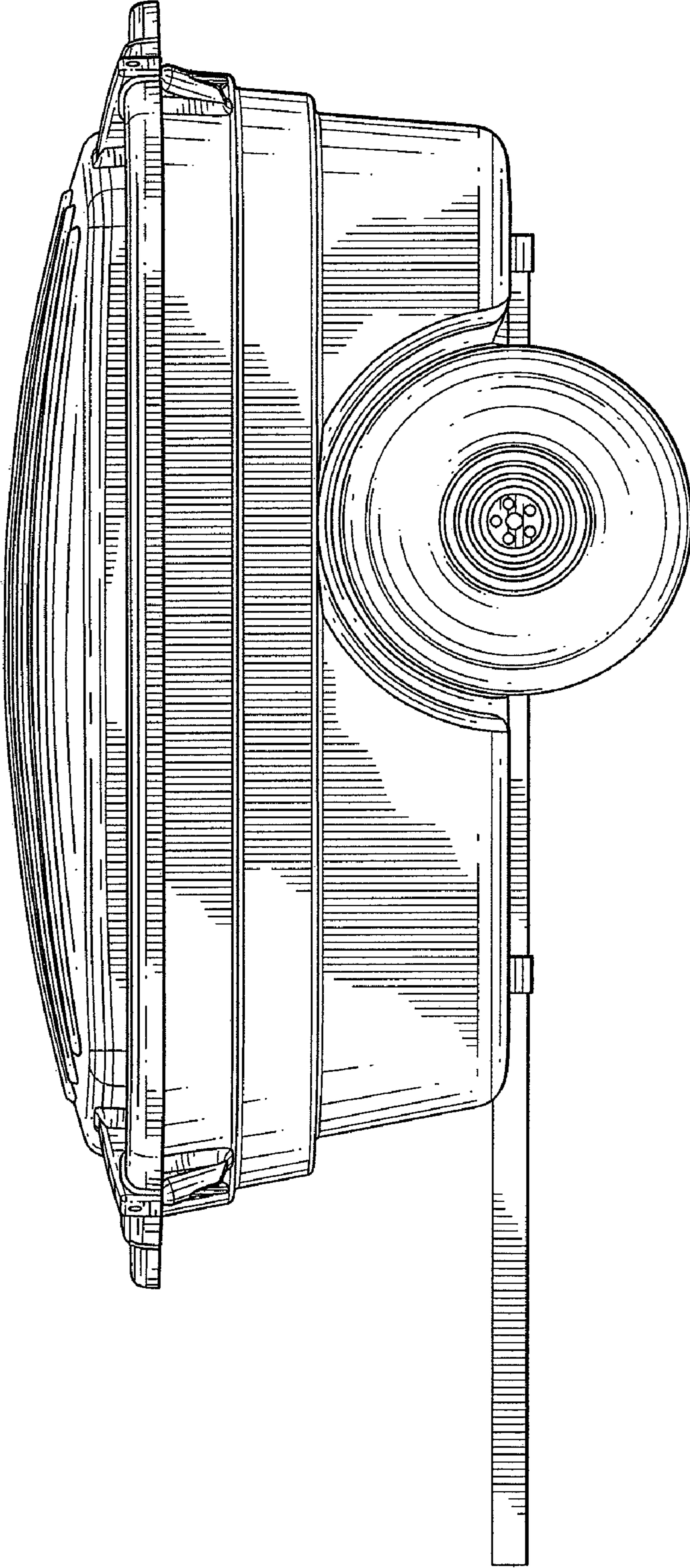


FIG. 2

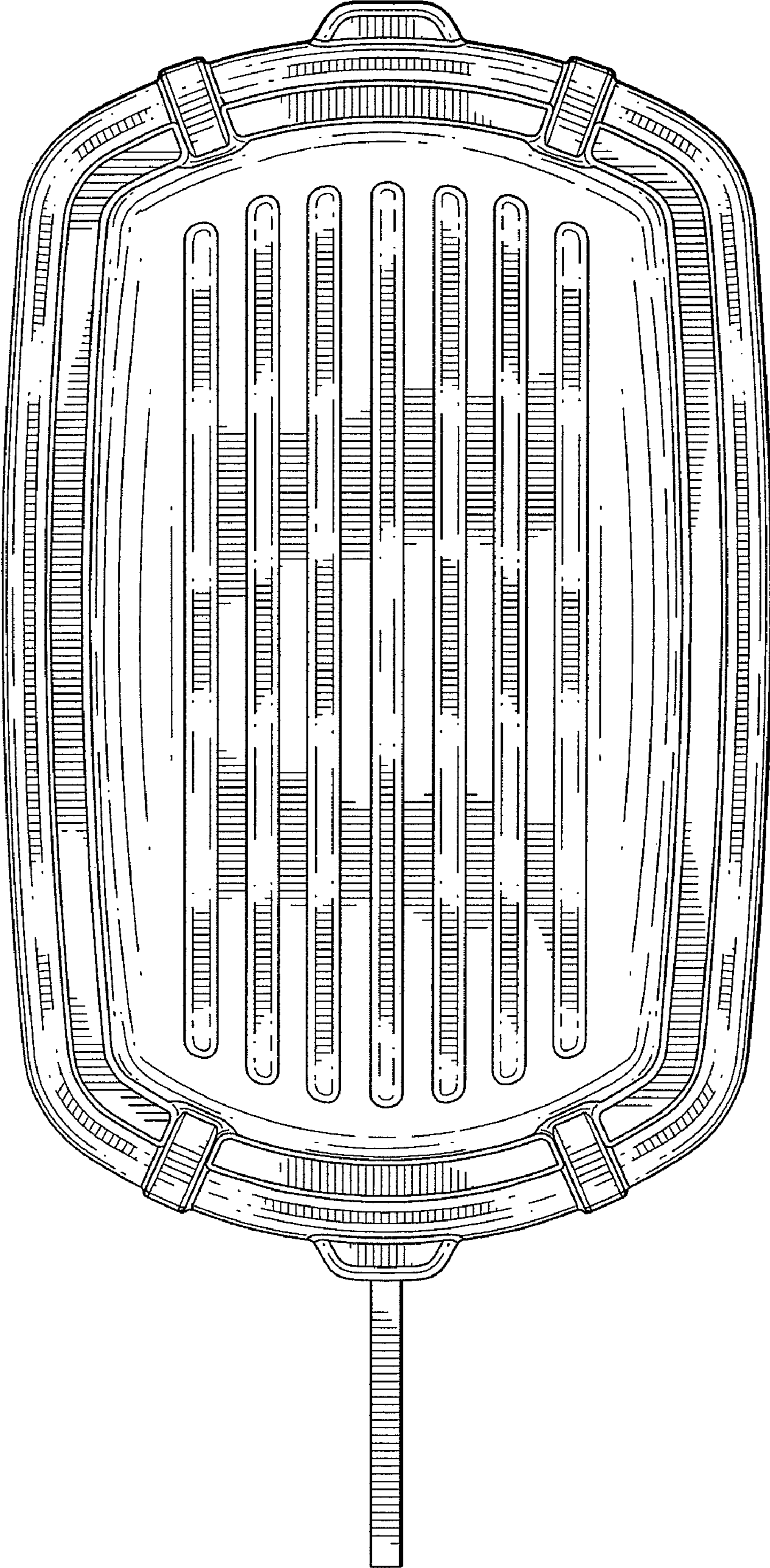


FIG.3

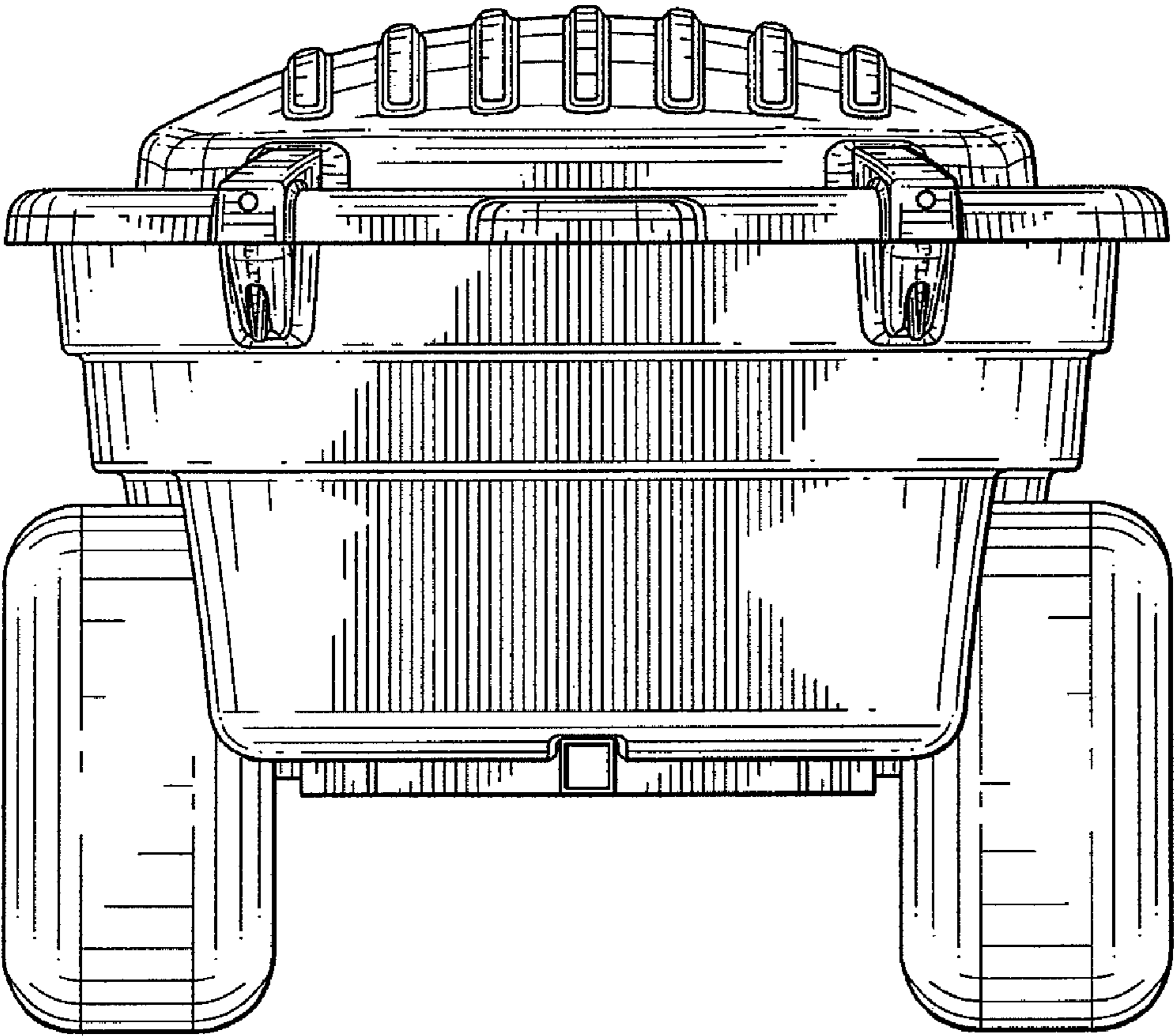


FIG.4

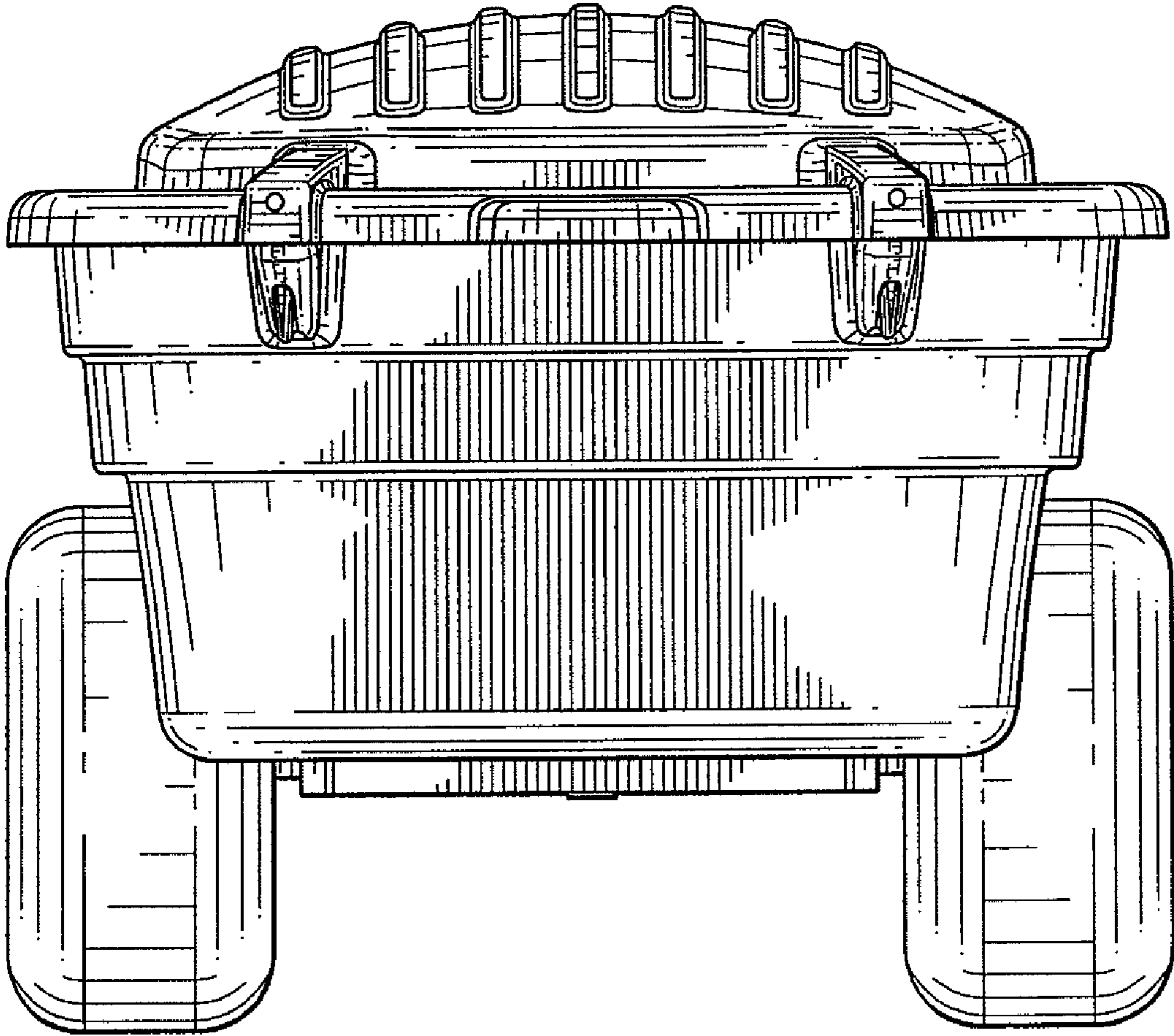


FIG. 5