



US00D601050S

(12) **United States Design Patent**
Satoh et al.

(10) **Patent No.:** **US D601,050 S**

(45) **Date of Patent:** **** Sep. 29, 2009**

(54) **CONVERTER FOR FLOWMETER**

(75) Inventors: **Toshiyuki Satoh**, Tokyo (JP); **Hirokazu Kitami**, Tokyo (JP)

(73) Assignee: **Oval Corporation**, Tokyo (JP)

(**) Term: **14 Years**

(21) Appl. No.: **29/311,547**

(22) Filed: **Apr. 20, 2009**

(30) **Foreign Application Priority Data**

Oct. 22, 2008 (JP) 2008-027123

(51) **LOC (9) Cl.** **10-04**

(52) **U.S. Cl.** **D10/96**

(58) **Field of Classification Search** D10/96;
73/201, 273, 204.21, 861.63, 861.64, 861.351-861.357
See application file for complete search history.

(56) **References Cited**

U.S. PATENT DOCUMENTS

4,485,672 A * 12/1984 Rosaen 73/273
4,770,048 A * 9/1988 Vinesky et al. 73/861.92
D309,272 S * 7/1990 Hall D10/96
D358,784 S * 5/1995 Templin et al. D10/96
D363,887 S * 11/1995 Middlebrook D10/96

D407,657 S * 4/1999 Fushiya et al. D10/96
2001/0052263 A1 * 12/2001 Setescak 73/204.21
2009/0139349 A1 * 6/2009 Drahm et al. 73/861.357

* cited by examiner

Primary Examiner—Antoine D Davis

(74) *Attorney, Agent, or Firm*—Wenderoth, Lind & Ponack, L.L.P.

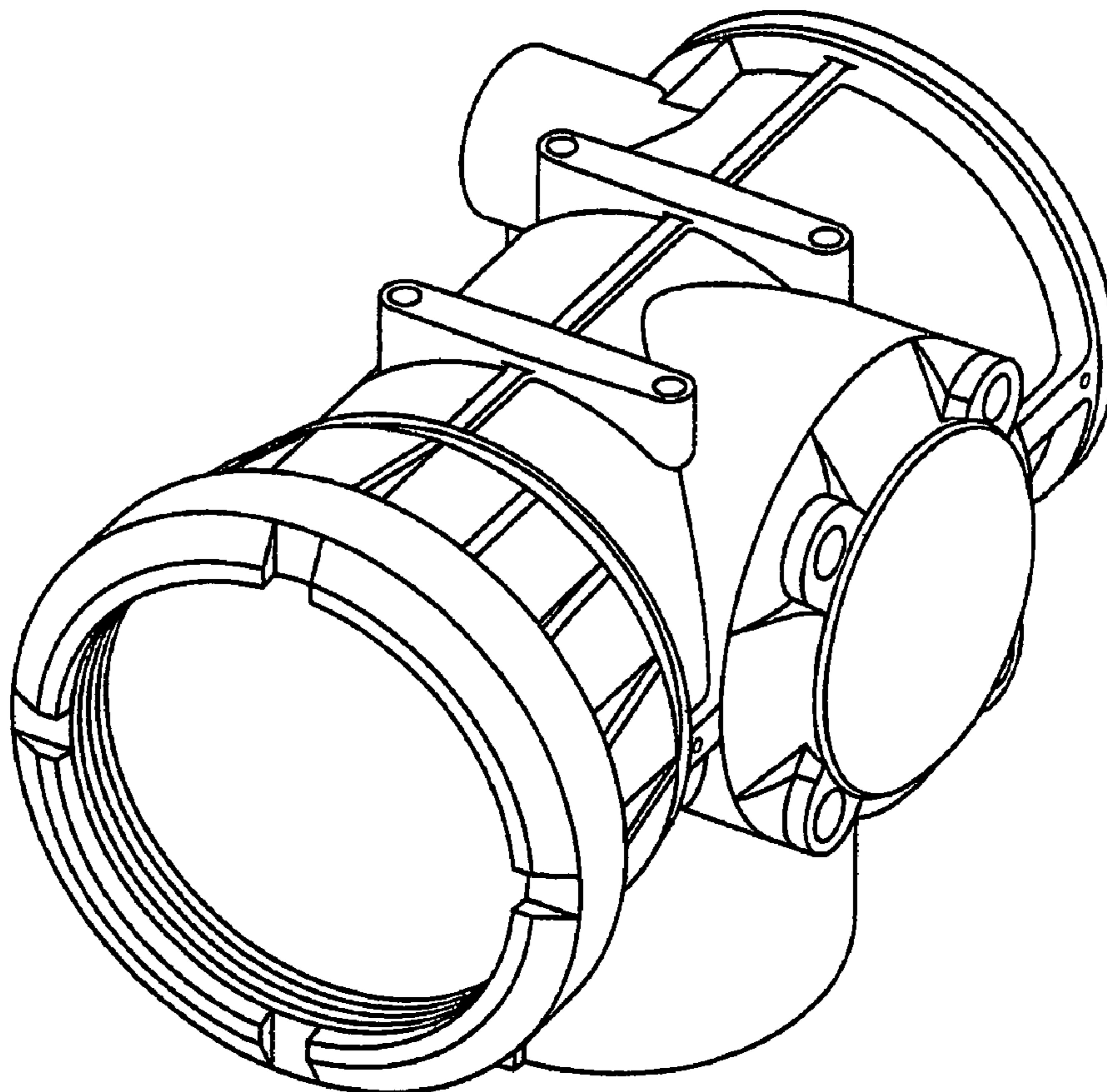
(57) **CLAIM**

We claim the ornamental design for a converter for flowmeter, as shown and described.

DESCRIPTION

FIG. 1 is a front view of the design;
FIG. 2 is a back view of the design;
FIG. 3 is a plan view of the design;
FIG. 4 is a bottom view of the design;
FIG. 5 is a right side view of the design;
FIG. 6 is a left side view of the design;
FIG. 7 is a perspective view from the top of the design;
FIG. 8 is a perspective view from the right rear of the design;
and,
FIG. 9 is a perspective view left rear of the design.

1 Claim, 9 Drawing Sheets



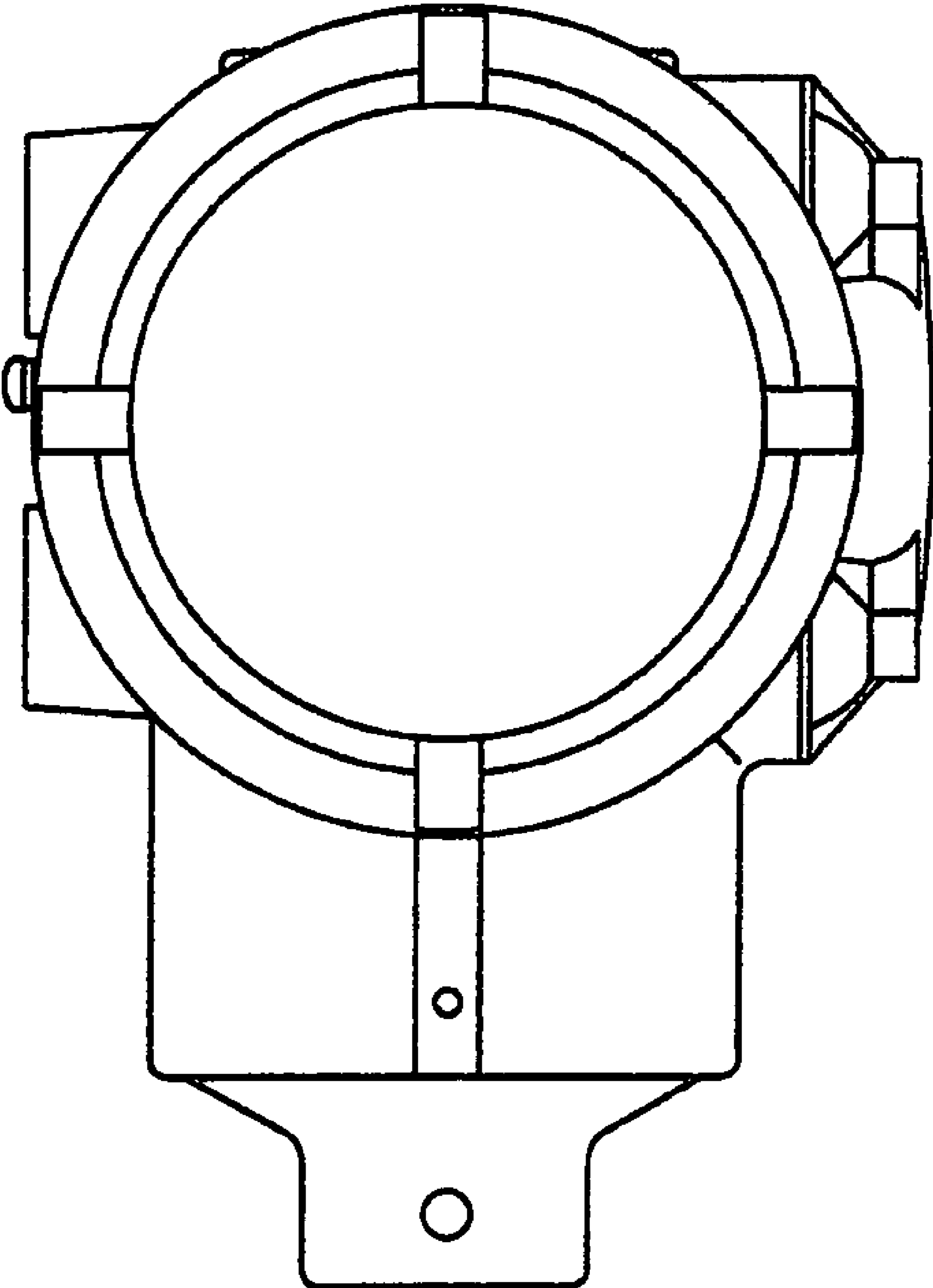


FIG. 1

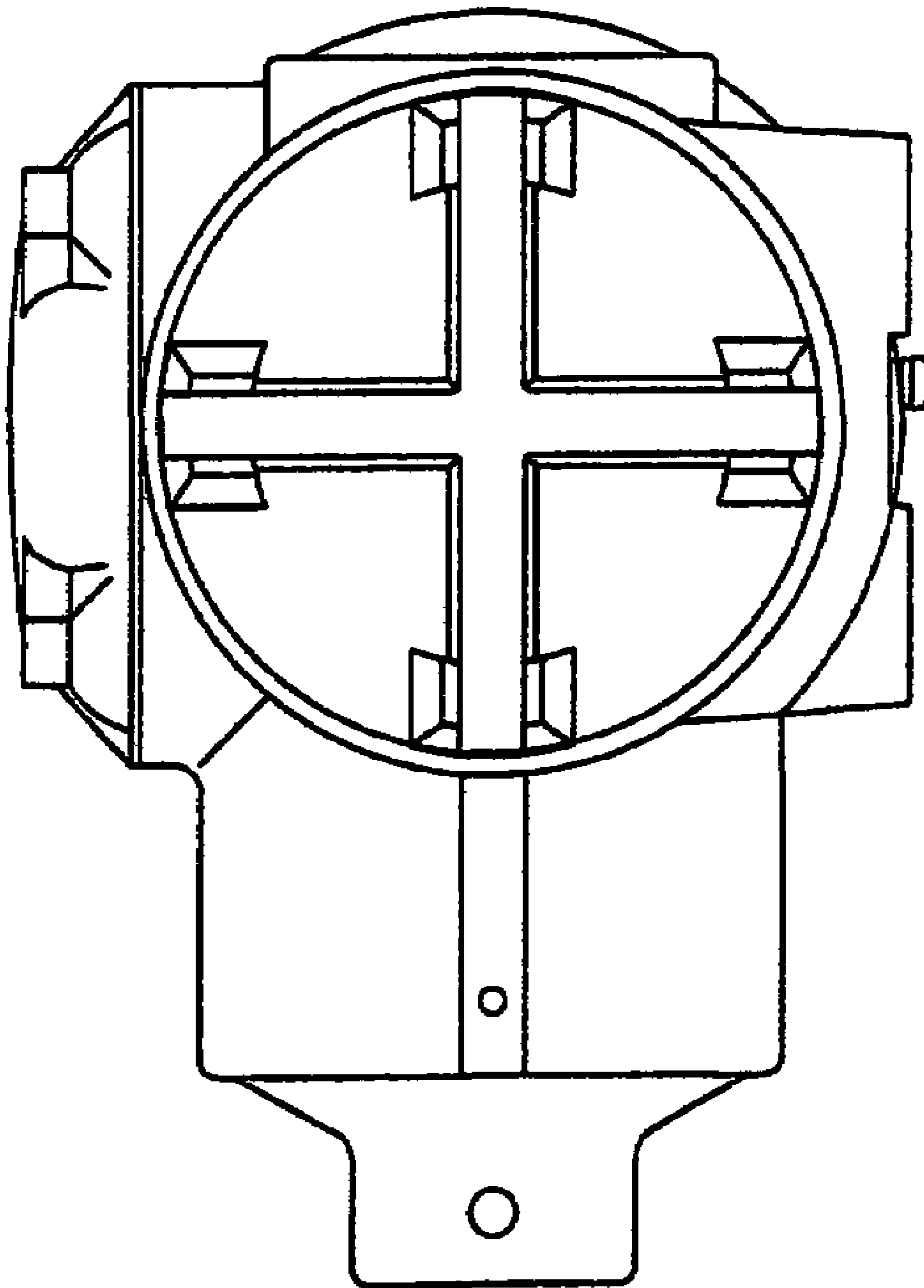


FIG. 2

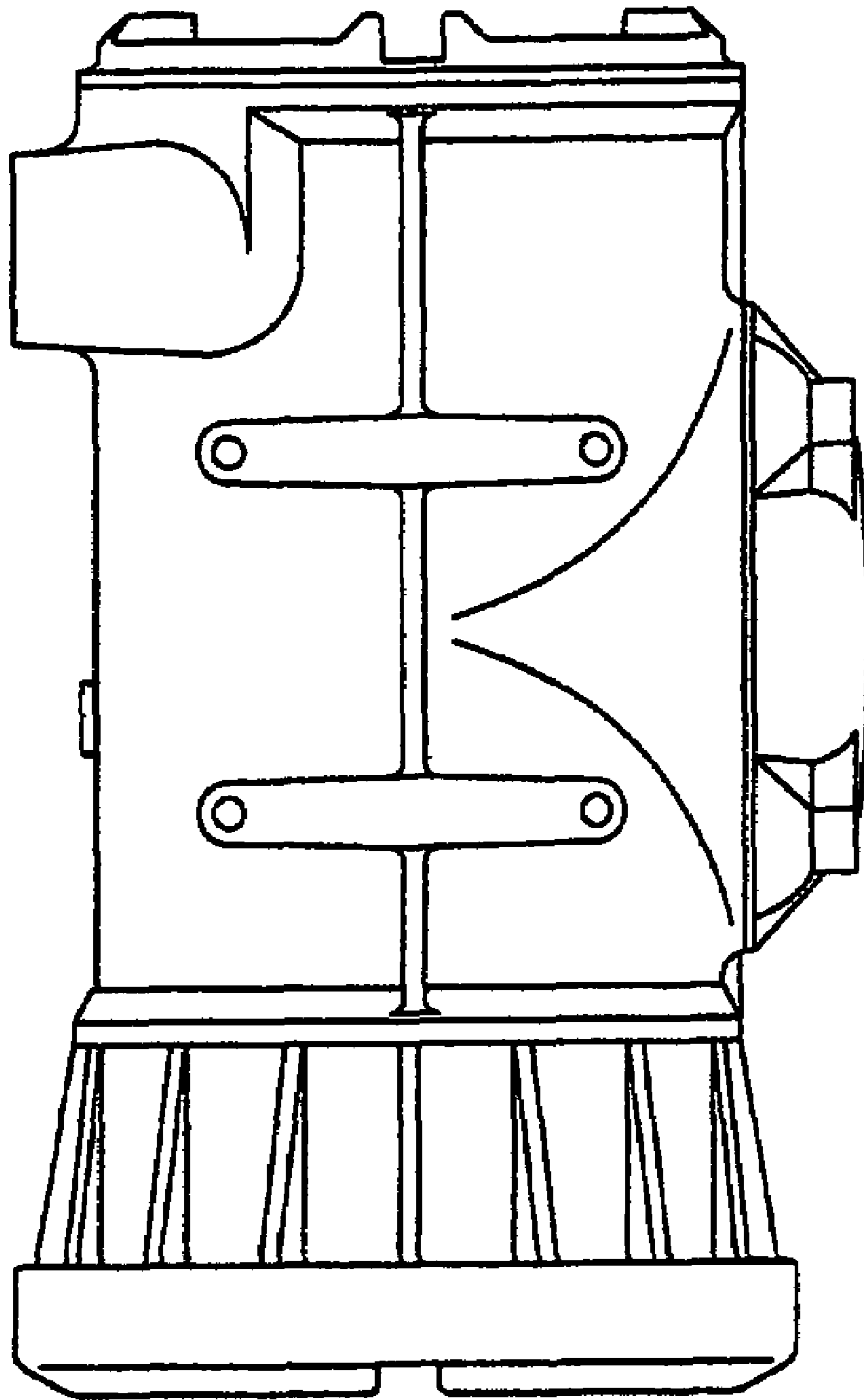


FIG. 3

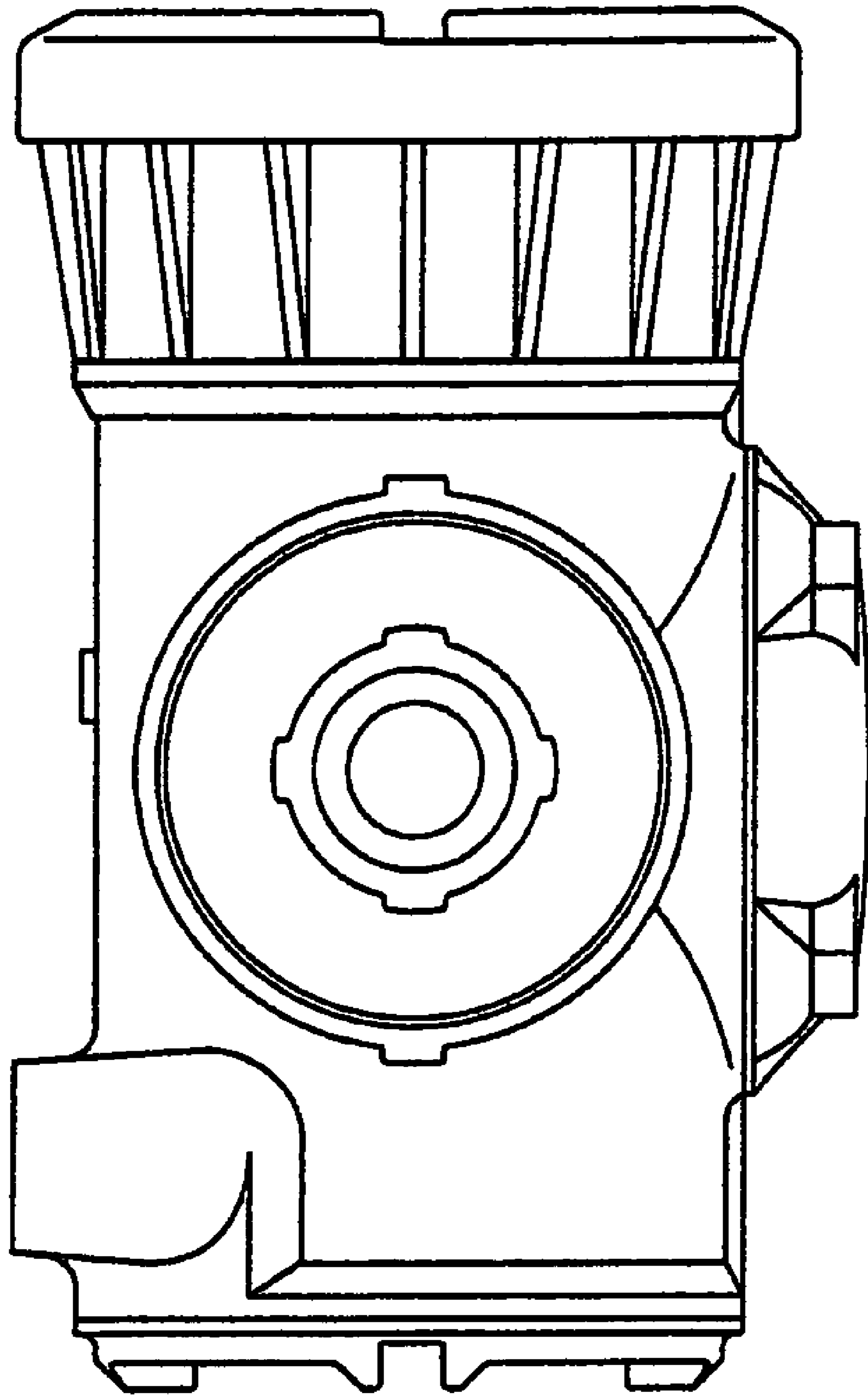


FIG. 4

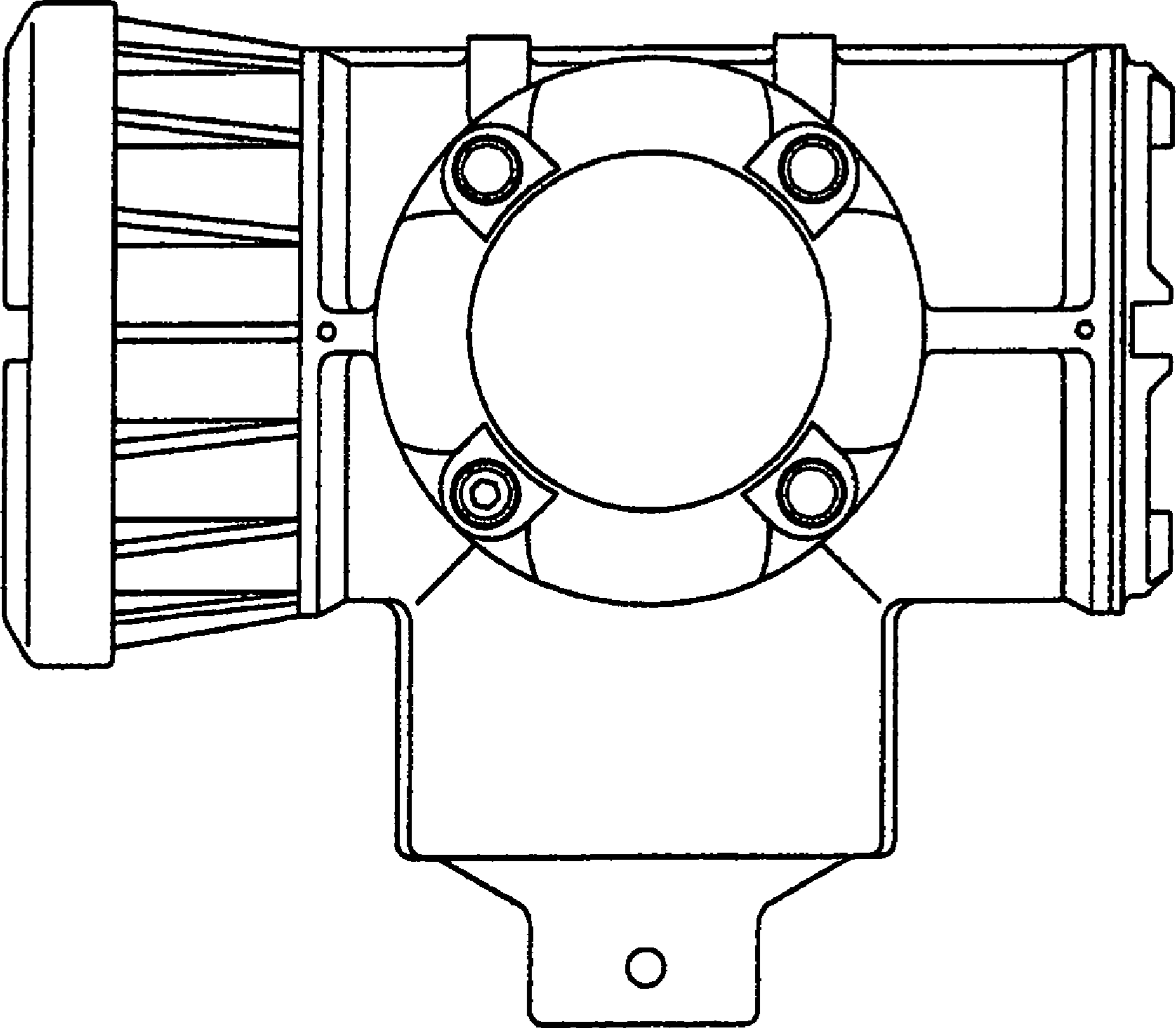


FIG. 5

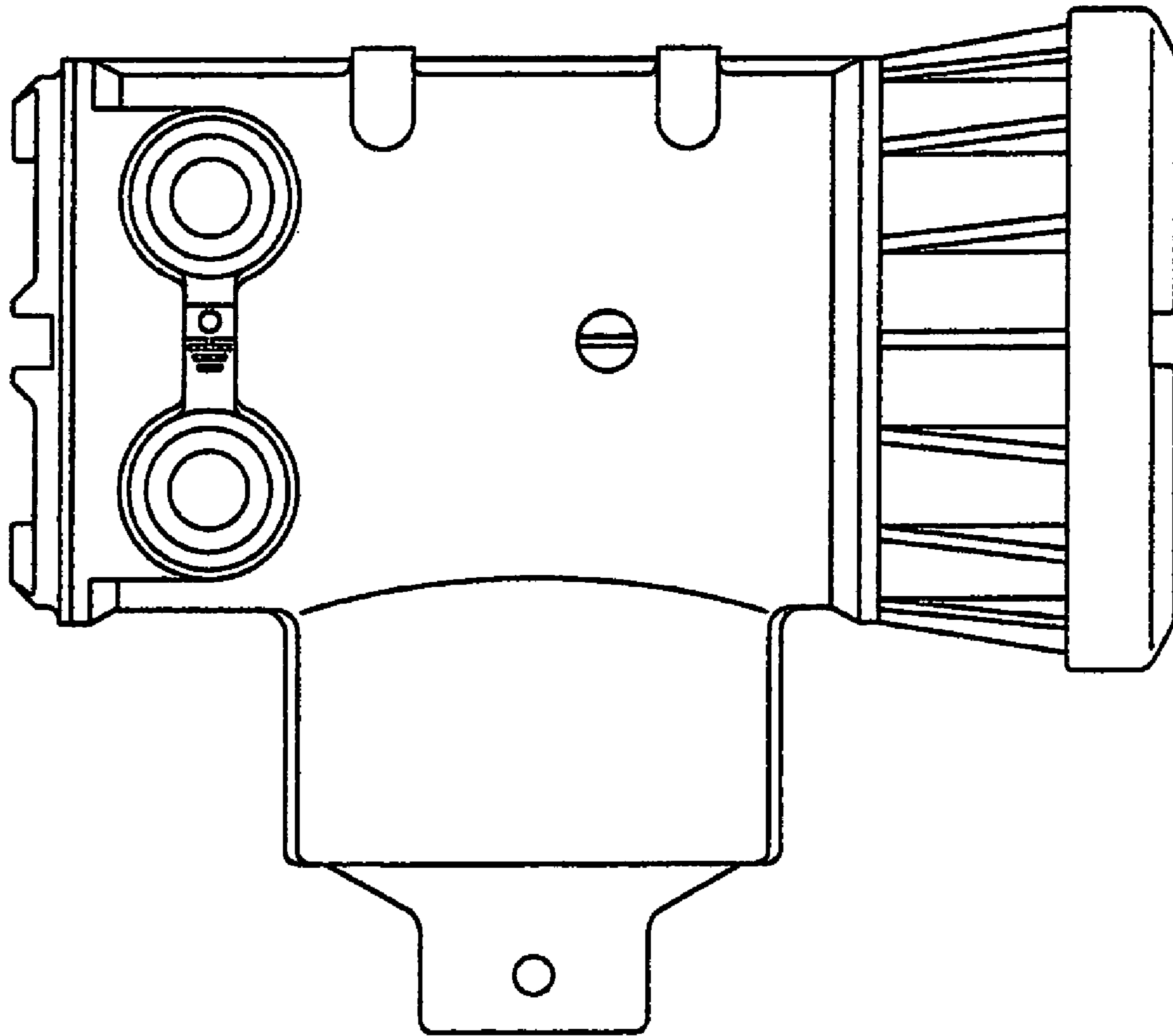


FIG. 6

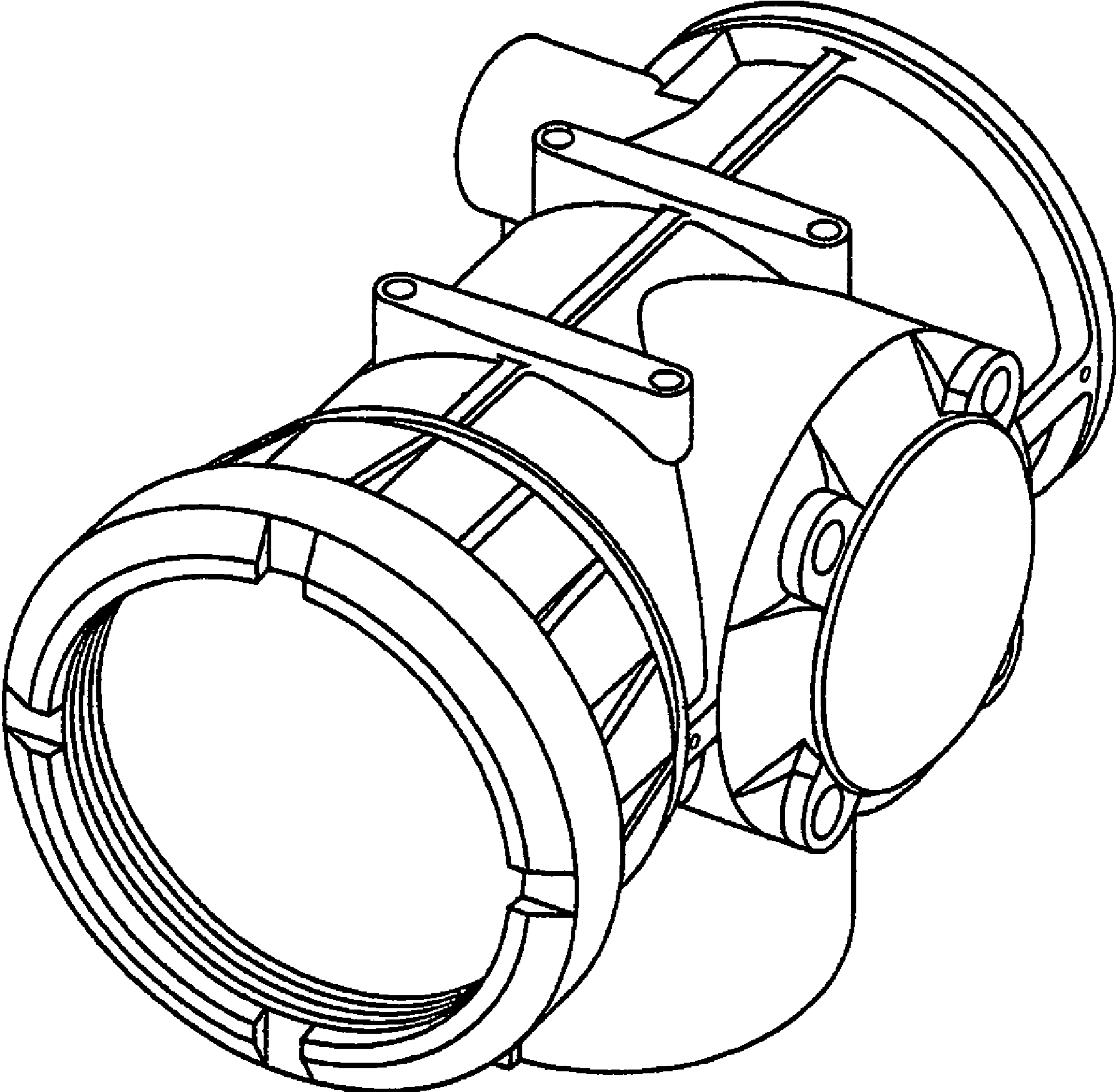


FIG. 7

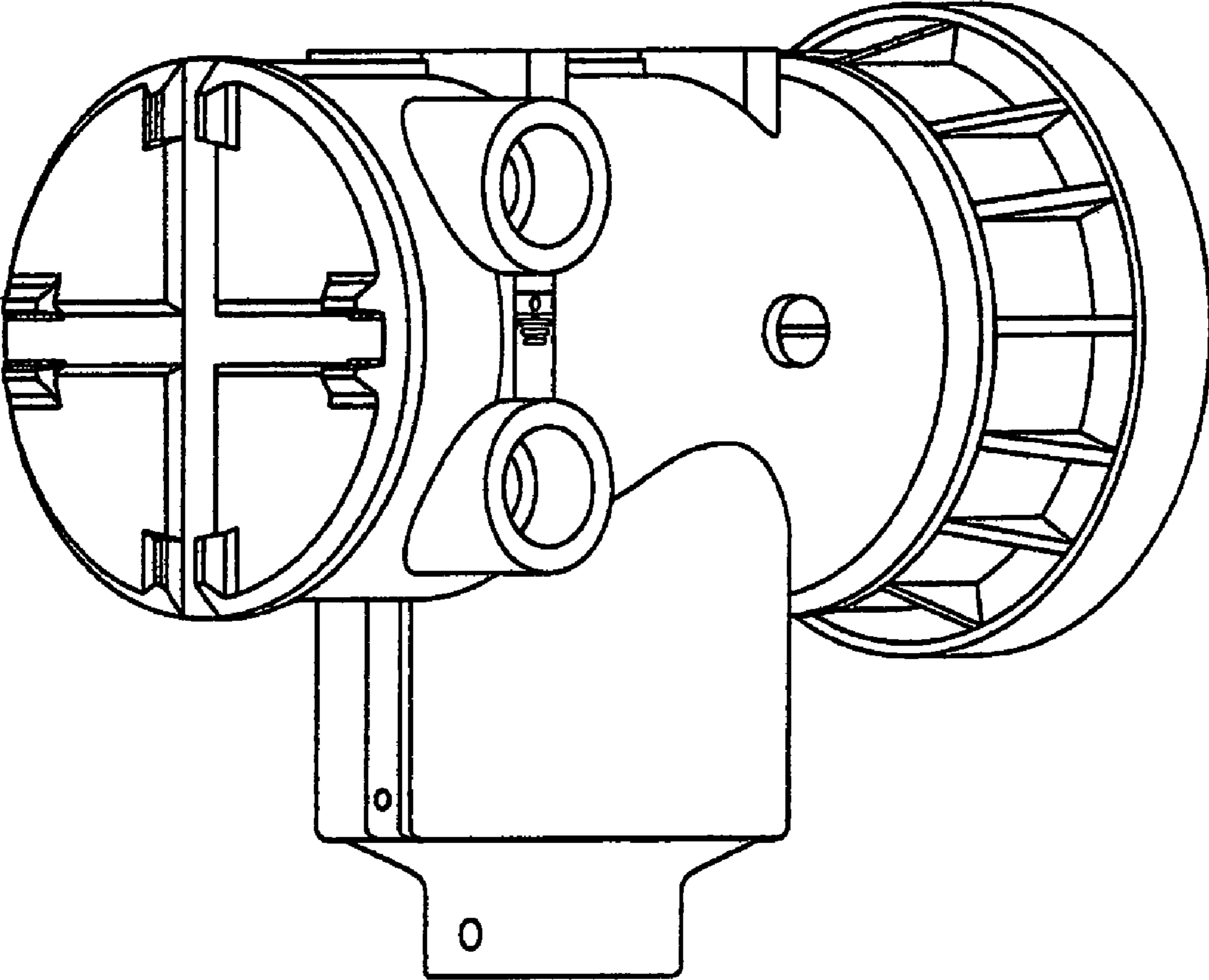


FIG. 8

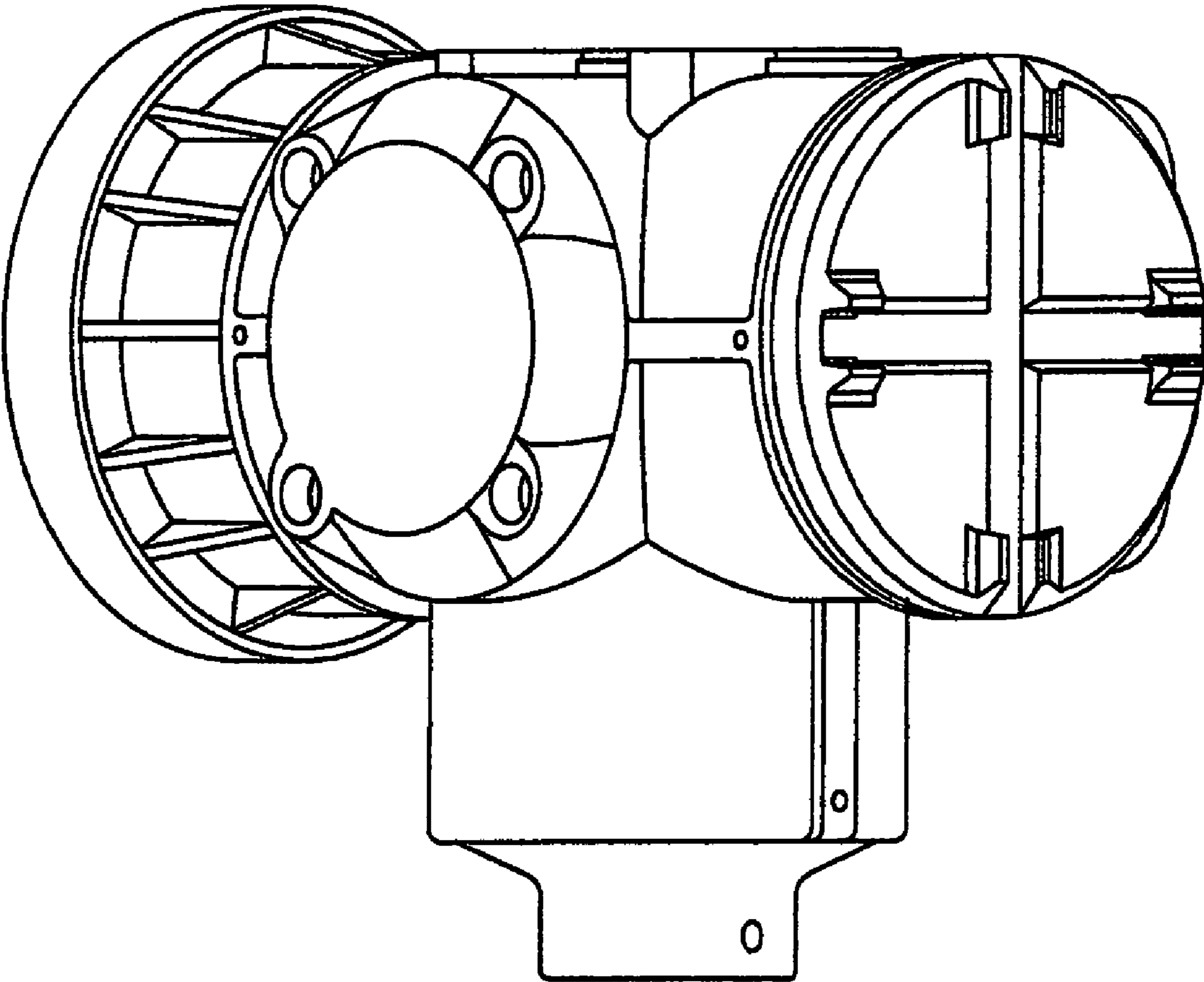


FIG. 9