



US00D601043S

(12) **United States Design Patent**
Belamich

(10) **Patent No.:** **US D601,043 S**

(45) **Date of Patent:** **** Sep. 29, 2009**

(54) **WATCH**

D578,412 S * 10/2008 Belamich D10/39

(75) **Inventor:** **Bruno Belamich**, Paris (FR)

* cited by examiner

(73) **Assignee:** **Bell & Ross B.V.**, Zoetermeer (NL)

Primary Examiner—Lucy Lieberman

(**) **Term:** **14 Years**

(74) *Attorney, Agent, or Firm*—Jeffer mangels Butler & Marmaro LLP

(21) **Appl. No.:** **29/325,126**

(57) **CLAIM**

(22) **Filed:** **Sep. 25, 2008**

The ornamental design for a watch, as shown and described.

(51) **LOC (9) Cl.** **10-02**

(52) **U.S. Cl.** **D10/39**

(58) **Field of Classification Search** D10/30–39,
D10/122–132; 368/276, 281, 282, 285, 80,
368/223, 232, 228, 21, 28, 294, 295

See application file for complete search history.

DESCRIPTION

FIG. 1 is a perspective view of the present invention;

FIG. 2 is a front elevational view of the present invention shown in FIG. 1;

FIG. 3 is a right side elevational view of the present invention shown in FIG. 1;

FIG. 4 is a left side elevational view of the present invention shown in FIG. 1;

FIG. 5 is a top plan view of the present invention shown in FIG. 1;

FIG. 6 is a bottom plan view of the present invention shown in FIG. 1; and,

FIG. 7 is a rear elevational view of the present invention shown in FIG. 1.

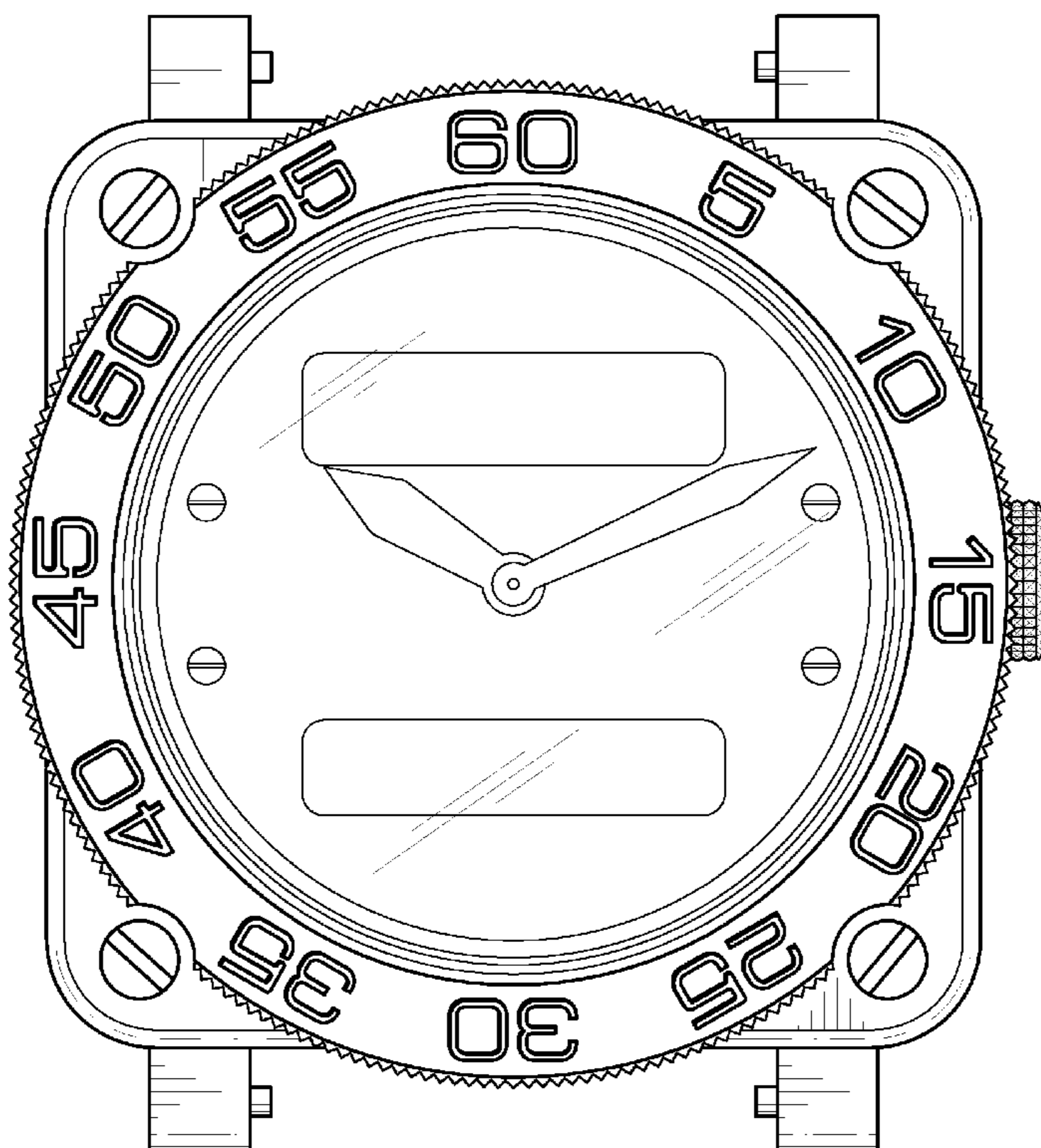
The broken lines in the drawings are used to show portions of the watch that do not form part of the claimed design.

(56) **References Cited**

U.S. PATENT DOCUMENTS

2,232,300	A *	2/1941	Arbey	368/228
D202,061	S *	8/1965	Montese-Caruso	D10/38
3,395,531	A *	8/1968	Caprara	368/291
3,512,353	A *	5/1970	Blum	368/295
4,218,873	A *	8/1980	Lang	368/281
D353,106	S *	12/1994	Jeanneret et al.	D10/31
D362,192	S *	9/1995	Hitter	D10/32
6,587,400	B1 *	7/2003	Line	368/88
D531,524	S *	11/2006	Behling	D10/38
D537,371	S *	2/2007	Belamich	D10/39
D557,618	S *	12/2007	El Kadiri	D10/31
D577,611	S *	9/2008	Lalo	D10/32

1 Claim, 5 Drawing Sheets



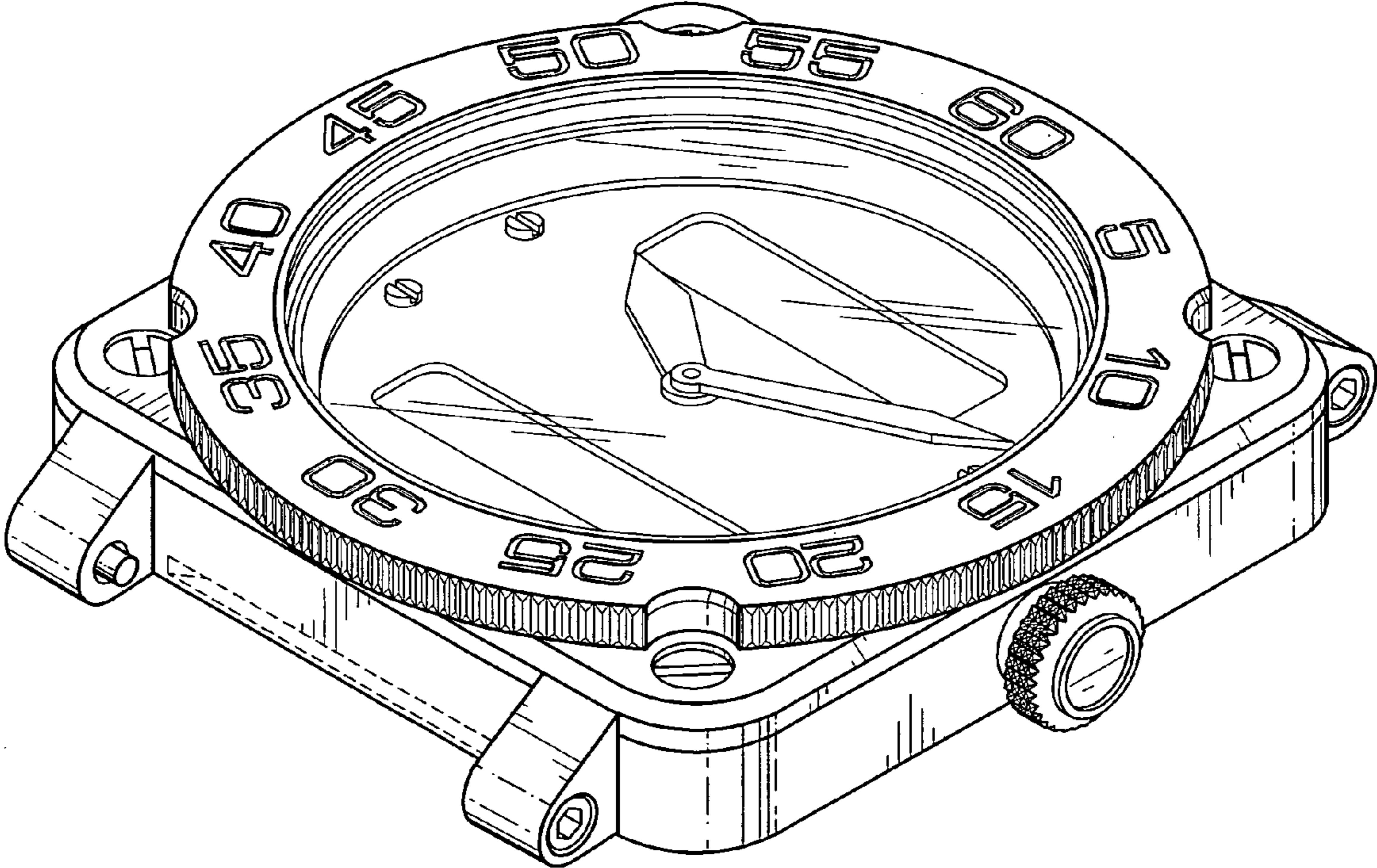


FIG. 1

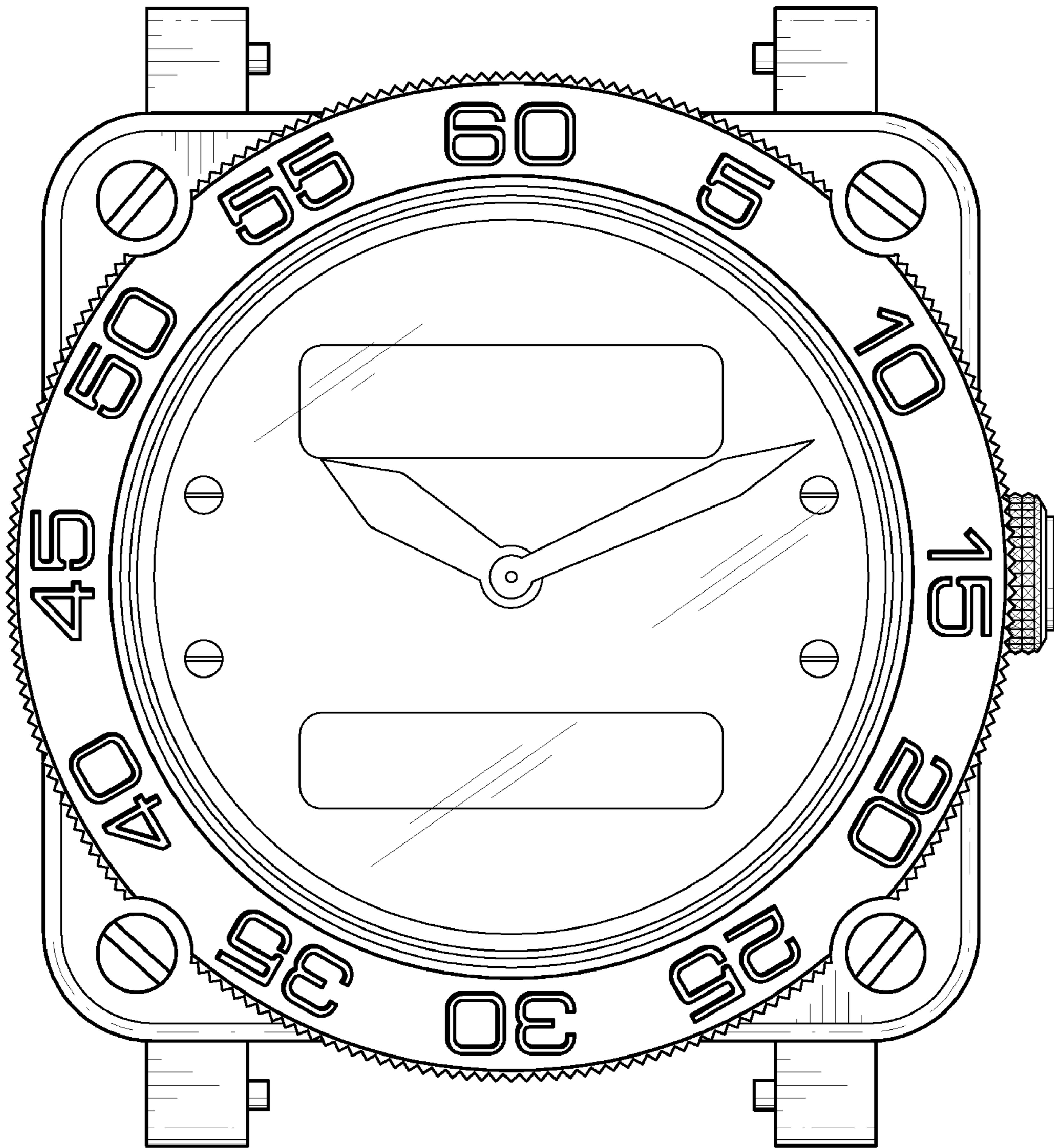


FIG. 2

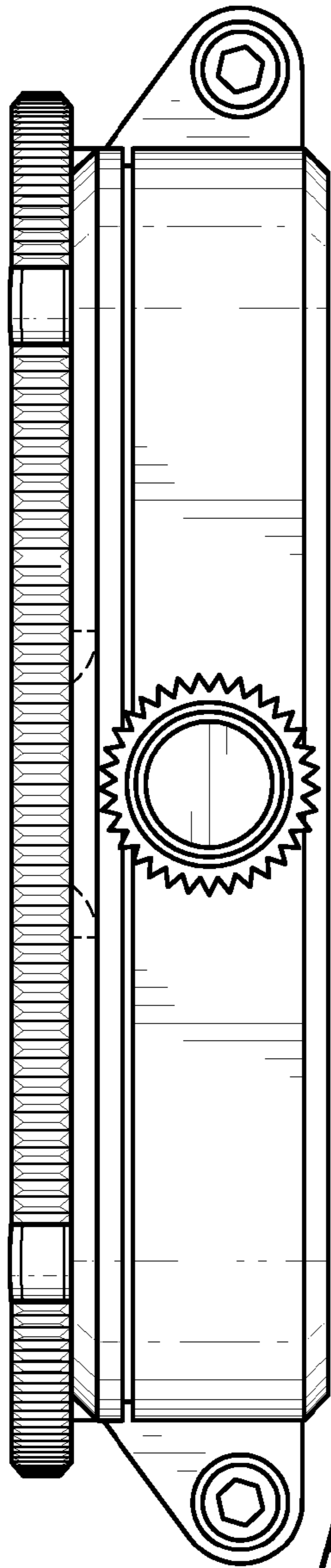


FIG. 3

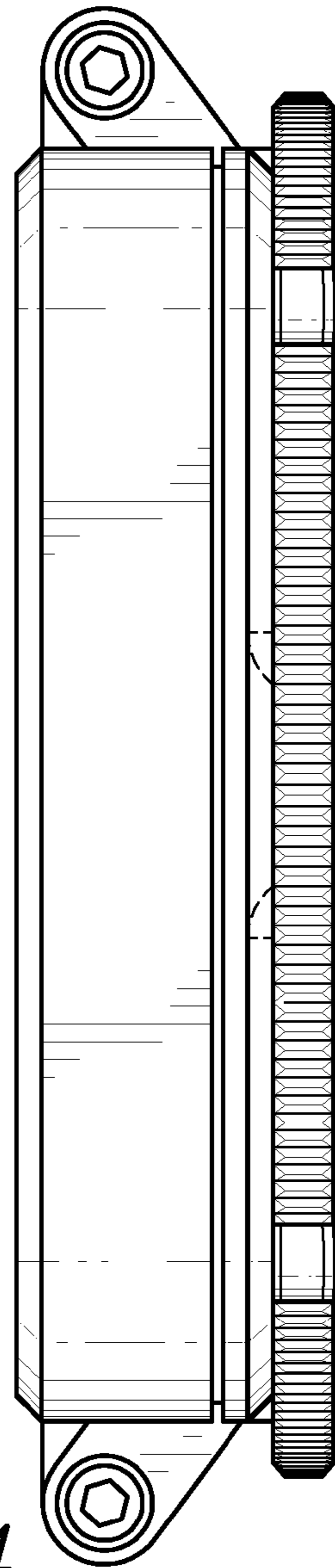


FIG. 4

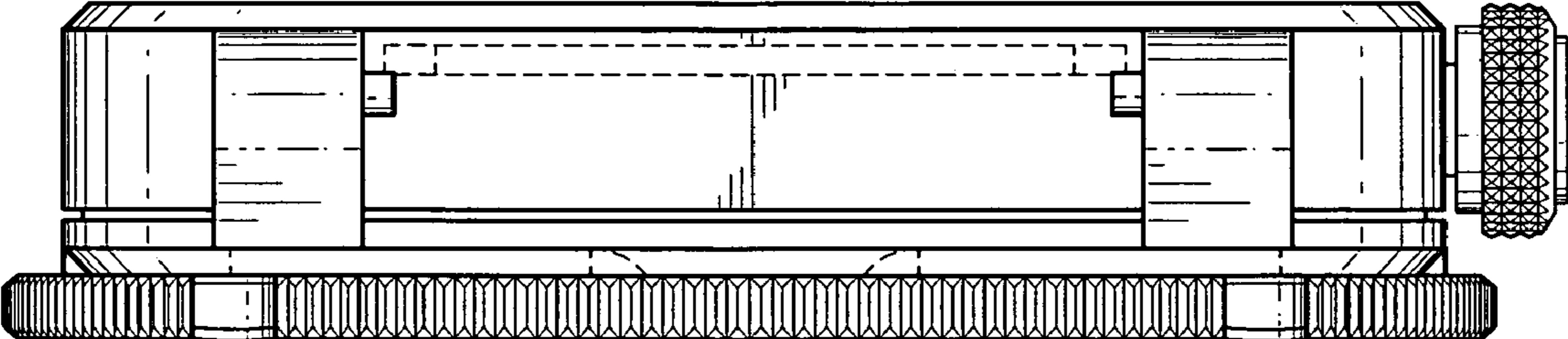


FIG. 5

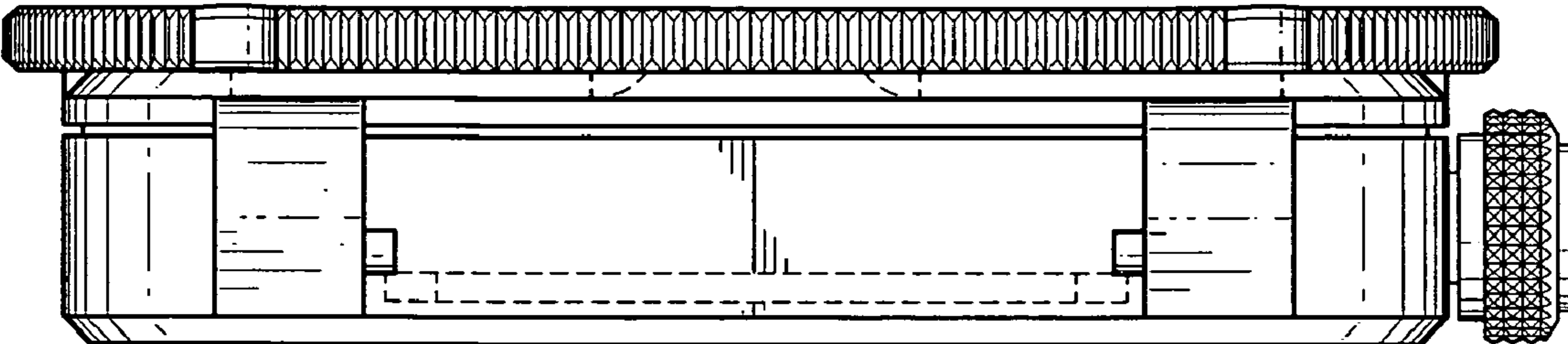


FIG. 6

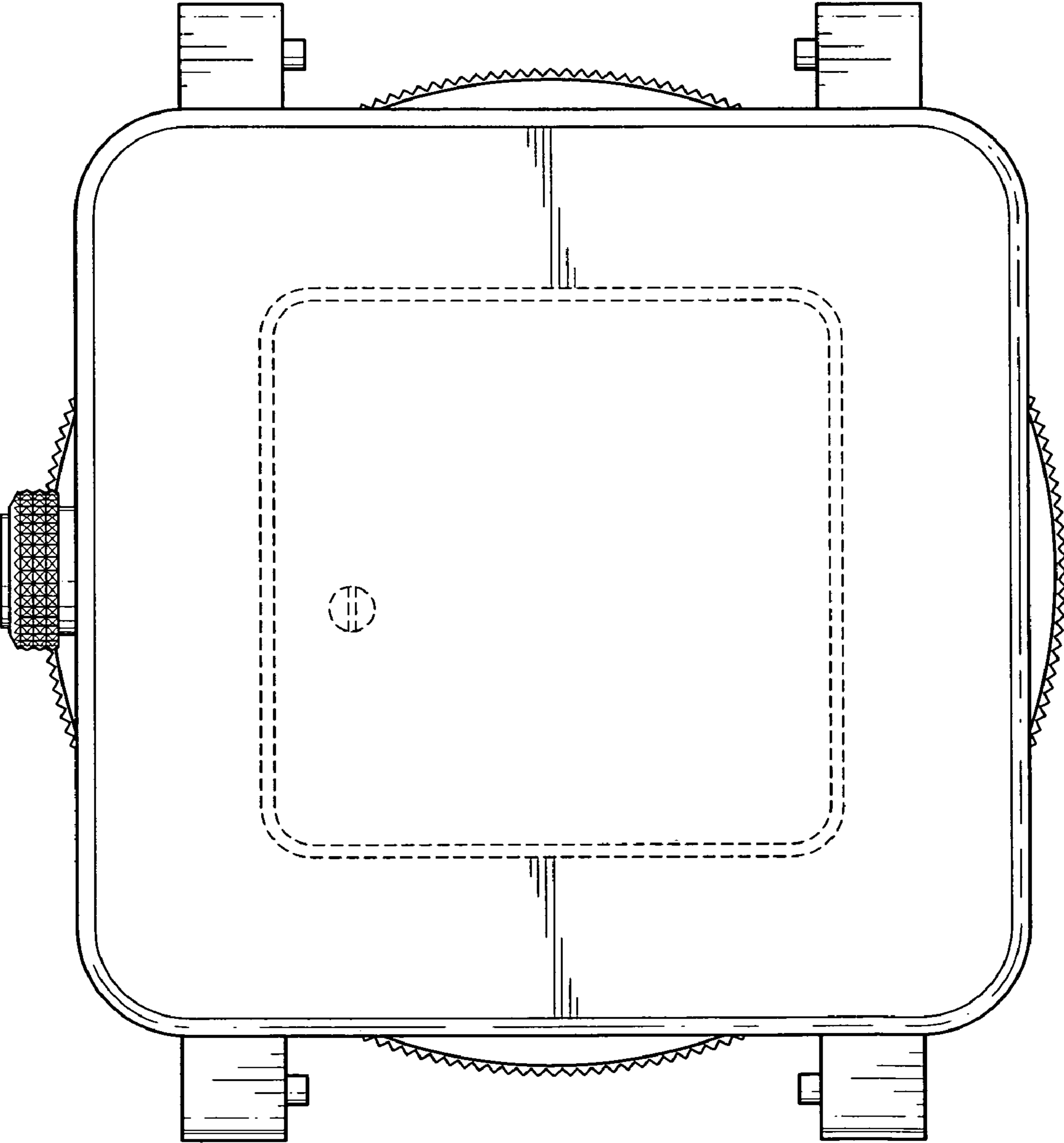


FIG. 7